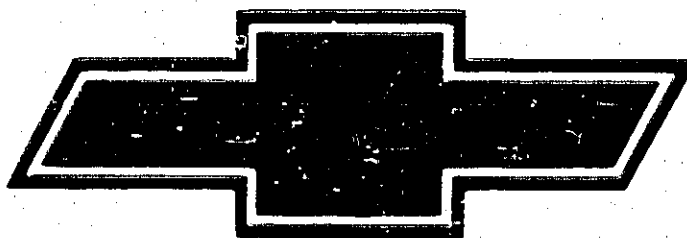


MICROFICHE INDEX  
GROUPS 6.000 THRU 8.000  
FICHE 4 OF 6

GROUP DESCRIPTION	STARTING GRID LOCATION	
	PARTS	ILLUSTRATIONS
- INTRODUCTION .....	A-6	H-2
- GENERAL INFORMATION .....	A-2	H-2
- ALPHABETICAL INDEX .....	C-11	N.A.
- INDEX FOR ADDITIONAL INFORMATION .....	A-5	N.A.
6.000 FRONT SUSPENSION - STEERING .....	E-2	H-6
7.000 FRAME - SPRINGS - SHOCKS - BUMPERS .....	F-2	J-2
8.000 FRONT END SHEET METAL - HEATER .....	G-5	L-2
- OUT OF FICHE CALLS .....	N.A.	M-11

**A-1**



# CHEVROLET

## 1953-1982 CORVETTE

### PARTS AND ILLUSTRATION CATALOG

#### IMPORTANT

Passenger vehicles for 1976 thru 1982 contain many parts dimensioned in the metric system. These parts are very close in dimension to familiar customary measurements in the inch system. It is important that during any vehicle maintenance procedure, replacement fasteners have the same measurements as those removed, whether metric or customary. Mismatched or incorrect fasteners can result in vehicle damage or malfunction, or possibly personal injury.

Fastener sizes denoted on illustrations may not reflect metric dimensions. However, since the same vehicle may be built with metric or customary fasteners, care should be exercised in selecting replacement part equivalent to the original fasteners in dimensions, strength and pitch of thread. Both metric and customary fasteners required for replacement are listed in the Warehousing and Distribution Division Standard Parts Catalog.

A special Warehousing and Distribution Division label, saying "Metric Fasteners Required" in red letters, will be used to identify service parts which require metric fasteners but replace parts which originally used inch fasteners. This label will enable dealers and over-the-counter customers to quickly recognize parts which have changed to metric fasteners.

## DECEMBER, 1983

WAREHOUSING AND DISTRIBUTION  
DIVISION OF GENERAL MOTORS CORPORATION  
FLINT, MICHIGAN 48554

CHEVROLET — 14A, PRINTED IN U.S.A.

# CHEVROLET PARTS PUBLICATIONS

The Chevrolet Parts Catalog System is divided into the following publications.

NO.	TITLE
10	1976-1981 Chevrolet Catalog except Corvette
10A	1976-1981 Chevrolet Illustration Catalog except Corvette
11	Chevrolet Parts Catalog Model thru 1975 includes: 1965-1975 Passenger Car 1962-1975 Chevy II and Nova 1964-1975 Chevelle 1967-1975 Camaro 1971-1975 Vega and Monza
11A	Chevrolet Models thru 1975 Parts Illustration Catalog
12	1946-1964 Chevrolet Passenger Car Parts Catalog
14A	1953-1982 Chevrolet Corvette Parts and Illustration Catalog
14Y	1984 Chevrolet Corvette Parts and Illustration Catalog
15	1960-1969 Chevrolet Corvair Parts Catalog
16	Chevrolet Dealer Parts and Accessories Price Schedule
17W	1982-84 Chevrolet (B-G-T-X Body) (Including Illustrations)
17A	1982-84 Chevrolet (A Body) (Including Illustrations)
17J	1982-84 Chevrolet (J Body) (Including Illustrations)
17F	1982-84 Chevrolet (F Body) (Including Illustrations)
55A	Chevrolet LUV Truck (Series 1 thru 12)
72 TL	1946-1972 Chevrolet Series 10 thru 35 Truck Parts & Accessories Catalog
72 TM	1946-1972 Chevrolet Series 40-50-60 Truck Parts & Accessories Catalog
51A	1973-1978 Chevrolet Series 10 thru 35 Truck Parts & Accessories Catalog
78 TL-GR	1973-1978 Chevrolet Series 10 thru 35 Truck Parts Illustration Catalog
52A	1979-1984 Chevrolet Series 10 thru 30 Parts and Illustration Catalog (Except S Truck)
52S	1982-84 Chevrolet LT Truck (S Series) (Including Illustrations)
58A	1978-1984 Caballero Parts and Illustration Catalog
78 TM	1973-1978 Chevrolet Series 50-60-65 Truck Parts & Accessories Catalog
78 TM-GR	1973-1978 Chevrolet Series 50-60-65 Truck Parts Illustration Catalog
72 TH-70, 80	Chevrolet Heavy Duty Truck Parts Catalog for: 1966-1972 2½ Ton Series 70000 Trucks 1966-1973 3 Ton Series 80000 Trucks
72 TH-90	1970-1972 3½ Ton Series 90000 Trucks
78 TH	1973-1978 Series 70-80-90 Truck Parts & Accessories Catalog
78 TH-GR	1973-1978 Series 70-80-90 Truck Parts Illustration Catalog
82 TM-SC	1979-82 Series 50-60-70 Conv. Truck Parts Catalog
82 TM-PS	1979-82 Series 40 P Model Chassis Truck Parts Catalog
82 TM-SB	1979-82 Series 60 School Bus Chassis Parts Catalog
80 TM-TILT	1979-80 Series 60-70 Tilt Parts Catalog
82 TM-GR	1979-82 Series 50-60-70 Truck Illustration Catalog
82 TH-A & T	1979-82 Astro-Titan Truck Parts Catalog
82 TH-B & B	1979-82 Brigadier-Bruin Truck Parts Catalog
82 TH-BIG	1979-82 General & Bison Truck Parts Catalog
82 TH-GR	1979-82 Series 80-90 Illustration Catalog
M-SB	1983 School Bus Models (Not Illustrations)
M-SB-G	1983 School Bus Graphic Illustrations
M-SC	1983 Steel Conventional Models (Not Illustrations)
M-SC-G	1983 Steel Conventional Graphic Illustrations
H-AST	1983 Astro Models (Not Illustrations)
H-AST-G	1983 Astro Graphic Illustrations
H-BRG	1983 Brigadier Models (Not Illustrations)
H-BRG-G	1983 Brigadier Graphic Illustrations
H-GEN	1983 General Models (Not Illustrations)
H-GEN-G	1983 General Graphic Illustrations
89	English & Metric Standard Parts Service and Maintenance Products

# CONTENTS

	GROUP
INTRODUCTION .....	—
GENERAL INFORMATION .....	—
ALPHABETICAL INDEX .....	—
ENGINE — CLUTCH .....	0.000
COOLING — GRILLE — OIL SYSTEM .....	1.000
CHASSIS WIRING — LAMPS .....	2.000
FUEL — EXHAUST — CARBURETION .....	3.000
TRANSMISSION — BRAKES .....	4.000
BRAKES — REAR AXLE — PROPELLER SHAFT — WHEELS .....	5.000
FRONT SUSPENSION — STEERING .....	6.000
FRAME — SPRINGS — SHOCKS — BUMPERS .....	7.000
FRONT END SHEET METAL — HEATER .....	8.000
BODY MOUNTING — AIR CONDITIONING — INSTRUMENT CLUSTER .....	9.000
DOORS — REGULATORS — WINDSHIELD — WIPER — WASHER .....	10.000
REAR GLASS — SEAT PARTS — ADJUSTER .....	11.000
BODY MOLDINGS — SHEET METAL .....	12.000
CONVERTIBLE TOP TRIM — BODY WIRING .....	13.000
CONVERTIBLE TOP HARDWARE — INTERIOR TRIM — SEAT BELTS .....	14.000
REAR SEAT TRIM — CARPETS — YARDAGE .....	15.000

## INDEX FOR ADDITIONAL CORVETTE INFORMATION

The following identification or usage charts are located in the catalog as listed below: GRID

Body Number Plate .....	Page 8 .....	1,2,3,4,5,6-A9
Model Identification .....	Page 9 .....	1,2,3,4,5,6-A10
Engine Identification .....	Page 10 .....	1,2,3,4,5,6-A11
V.I.N. ....	Page 17 .....	1,2,3,4,5,6-A18
Axle Identification .....	Page 30 .....	1,2,3,4,5,6-B4
Trim Combinations .....	Page 33 .....	1,2,3,4,5,6-B7
Paint Color Charts .....	Page 35 .....	1,2,3,4,5,6-B9
GM Production Options .....	Page 41 .....	1,2,3,4,5,6-B15
Abbreviations .....	Page 64 .....	1,2,3,4,5,6-N.A.
Alphabetical Index .....	Page 68 .....	1,2,3,4,5,6-C11
Accessories .....	Page A-1 .....	1-D9
Radiator Codes (follows Group 1.855) .....	Page 1-1C .....	1-F8
V-Belt Chart .....	Page 1-5C .....	1-F17
Spark Plug Wires .....	(follows Group 2.906) .....	1-I 2
Exhaust Charts .....	Page 3-1E .....	2-H2
E.G.R. Valve Conversion Chart .....	Page 3-1V .....	2-F13
Carburetor and Parts Usage .....	Page 3-1C .....	2-F20
Fuel Tank Meters .....	(follows Carburetor Chart) .....	2-G26
Speedometer Gear Usage .....	Page 4-1C .....	3-G8
Spring Usage .....	Page 7-1C .....	4-F14
Air Conditioning Fittings .....	Page 9-1C .....	5-E6
Seat Belts .....	Page 14-1C .....	6-F21
Wire Harness Tag # Chart (follows Seat Belts) .....	Page T-1 .....	6-G9

# INTRODUCTION

GM3

This Parts Catalog has been compiled for the purpose of locating, identifying, and ordering replacement parts. All data and specifications contained in this publication are based on the latest product information available at the time of printing. Warehousing and Distribution Division reserves the right to make changes at any time without notice in data, price, specifications, materials, material, and model. The "List Prices" shown are suggested prices only for sales to consumers.

Replacement parts are listed in this catalog under 16 major groups, as shown on the content page. Individual parts are assigned a Prime Group number; the first numeral of the group identifies the main unit it is affiliated with, and following the decimal is the Sub-Group number under which all parts of the same name and function are listed. For example, Group 0.519 Camshaft. The "0" denotes that it is an Engine Part, "519" the sub-group where all Engine Camshafts are listed. Related parts may also be found in the same group. Within each group, parts are listed by model year, vehicle series, part number, number used per vehicle or R.H.-L.H. designation, suggested list price, part name and description.

Parts may be used in different locations on the car requiring the listing of the part number in more than one group. When this "Cross Referencing" occurs, the prime group is shown in brackets i.e. (1.850) in the description column.

To locate a listing for a part, determine the model vehicle and refer to the group number identifying it, which may be determined by using any of the following methods.

- A. When the name of the part is known, consult the ALPHABETICAL INDEX, which lists parts by noun name and Group Number where part is listed.
- B. Reference may be made to the ILLUSTRATION CATALOG, where Group Numbers, noun names or part numbers are shown.
- C. When a part number is known and model application or a similar part is required, consult the DEALER PRICE SCHEDULE for the Group Number to locate the part in the Parts Catalog.

Parts having application or used with optional equipment are identified by Option Number or abbreviation of option. Familiarity with Option Numbers will assist in determining correct part required.

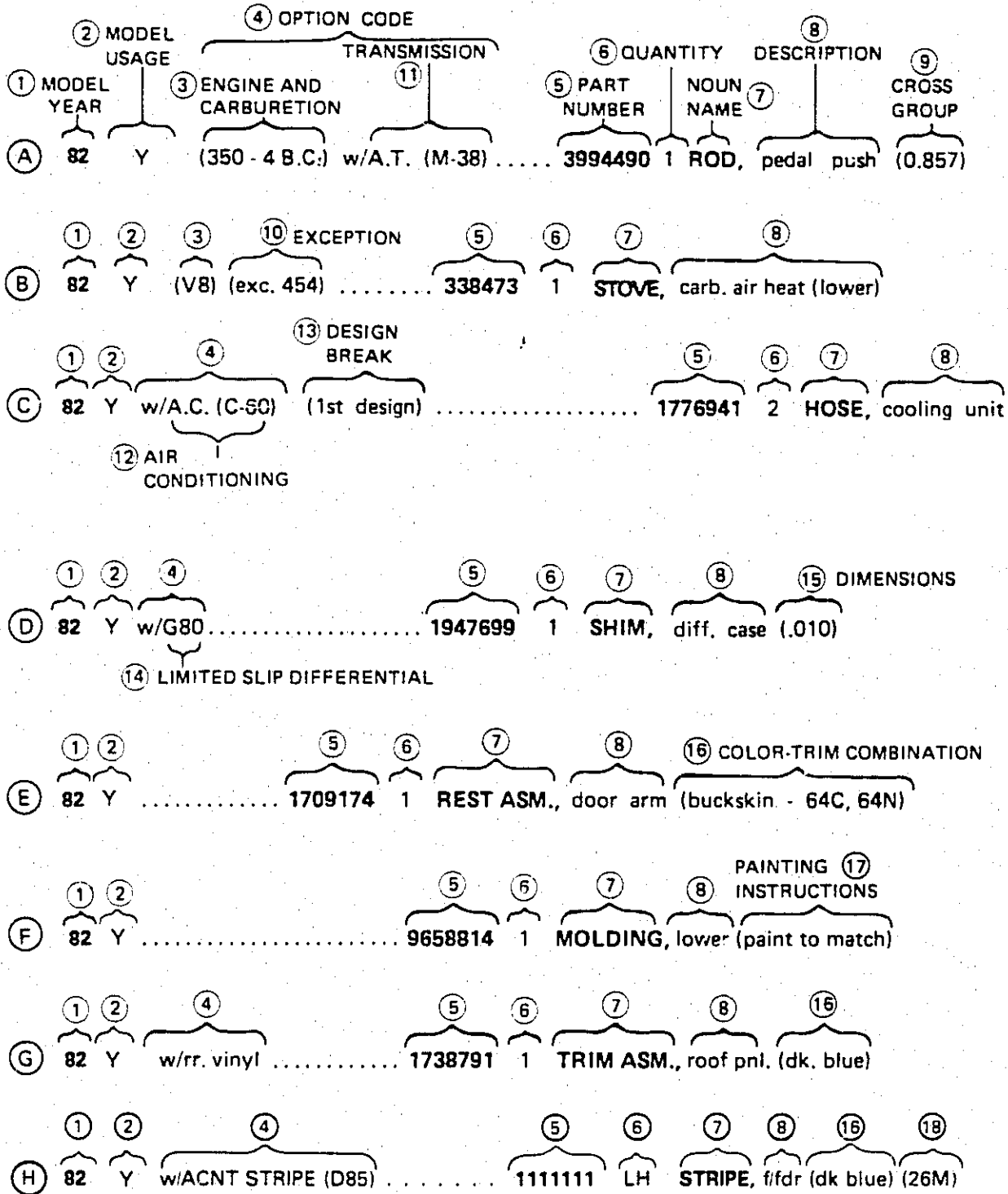
Complete identification for models and options listed in this catalog will be found preceding the alphabetical index.

Service part numbers are assigned to individual parts that make up an assembly used in the production of models. Certain items may not be listed, such as short tubing parts or fuel lines that can be made up by dealers from bulk material or attaching parts may be included in packages with the major assembly and not listed separately.

Right Hand and Left Hand parts are so designated from the driver's position when seated in the car.

**CORVETTE CATALOG EXAMPLES**

WHEN INTERPRETING MODEL USAGE, PLEASE REFER TO MODEL DESIGNATION CHARTS FOR SPECIFIC MODEL INTERPRETATION.



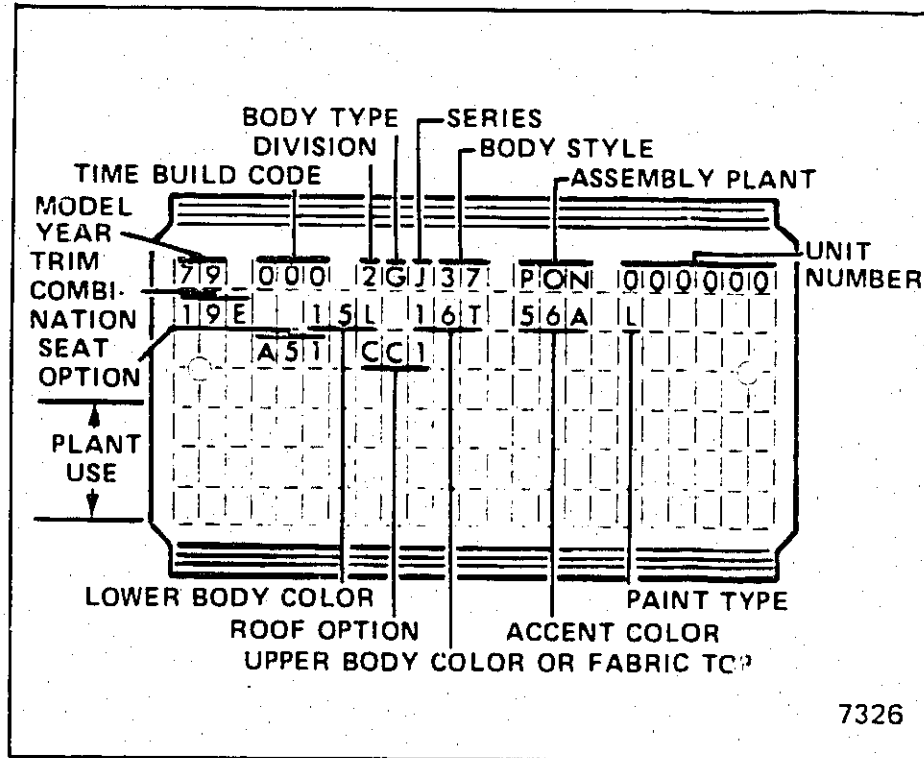
CORVETTE CATALOGEXPLANATION OF TERMINOLOGY AS SHOWN ON CHART A.

- ① MODEL YEAR – SALES YEAR OF VEHICLE.
- ② MODEL USAGE – IN ORDER TO DETERMINE CORRECT MODEL USAGE USE THE ATTACHED MODEL DESIGNATION CHART. WHEN "ALL" APPEARS THIS INCLUDES ALL MODELS (A, B, F, H, T, X).
- ③ ENGINE AND CARBURETION – REFERENCE TO ENGINES WILL BE SHOWN IN CUBIC INCH DISPLACEMENT. IF REFERENCE HAS TO BE MADE TO SPECIFIC CARBURETION THIS WILL BE SHOWN IN PARENTHESIS WITH THE ENGINE DISPLACEMENT (SEE EXAMPLE A).
- ④ OPTION CODE – INDICATES ADDITIONAL USAGE OTHER THAN PRODUCTION STANDARD EQUIPMENT. IN MOST INSTANCES THE OPTION WILL BE SPELLED OUT (SEE EXAMPLE G). HOWEVER, THE OPTION CODES WILL BE USED FOR ENGINES, TRANSMISSIONS, AIR CONDITIONING, LIMITED SLIP DIFFERENTIAL AND NOX EMISSION SYSTEMS.
- ⑤ PART NUMBER – IDENTIFIES THE NUMBER ASSIGNED TO EACH PART.
- ⑥ QUANTITY – QUANTITY OF PARTS REQUIRED PER VEHICLE (AR MEANS AS REQUIRED).
- ⑦ NOUN NAME – ALL NOUN NAMES WILL BE SPELLED OUT AGAINST EVERY LINE OF MODEL APPLICATION.
- ⑧ DESCRIPTION – INCLUDES ALL ADDITIONAL DESCRIPTIVE INFORMATION NECESSARY TO DESCRIBE THE LOCATION OF THE PART ON THE VEHICLE.
- ⑨ CROSS GROUP – A CROSS GROUP IS SHOWN WHEN A PART IS LISTED IN A SECONDARY GROUP (SEE EXAMPLE A).
- ⑩ EXCEPTION – WILL BE USED ONLY WHEN MODELS OR OPTIONS ARE EXCLUDED (SEE EXAMPLE B).
- ⑪ TRANSMISSION – THE TRANSMISSION ABBREVIATION M.T. (MANUAL TRANS.) OR A.T. (AUTOMATIC TRANS.) WILL BE USED IN ALL INSTANCES WHERE THE PARTS APPLY TO ALL TYPES OF TRANSMISSIONS. WHEN THE MODEL APPLICATION MUST BE SPECIFIC TO A PARTICULAR TRANSMISSION, M.T. OR A.T. WILL BE USED ALONG WITH THE OPTION CODE (SEE EXAMPLE A).
- ⑫ AIR CONDITIONING – THE AIR CONDITIONING ABBREVIATION – A.C. WILL BE USED IN ALL INSTANCES WHERE THE PARTS APPLY TO ALL TYPES OF INSTALLATIONS. WHEN THE MODEL APPLICATION MUST BE SPECIFIC TO A PARTICULAR AIR CONDITIONING INSTALLATION, A.C. WILL BE USED ALONG WITH THE OPTION CODE (SEE EXAMPLE C).
- ⑬ DESIGN BREAK – WHEN PARTS ARE CATALOGED WITH A DESIGN CHANGE, THE DIFFERENCE WILL BE SHOWN EITHER AFTER THE OPTION COLUMN OR BY A NOTE (SEE EXAMPLE C).
- ⑭ LIMITED SLIP DIFFERENTIAL – THE LIMITED SLIP OPTION WILL ALWAYS BE WRITTEN (G-80) (SEE EXAMPLE D).
- ⑮ DIMENSIONS – ALL DIMENSIONS WILL BE SHOWN IN THE DESCRIPTION COLUMN. BOTH METRIC AND S.A.E. METHODS WILL BE USED WHERE APPLICABLE (SEE EXAMPLE D).
- ⑯ COLOR AND TRIM COMBINATIONS – COLOR AND TRIM COMBINATIONS WILL BE SHOWN TOGETHER IN THE SAME PARENTHESIS IN THE DESCRIPTION COLUMN (SEE EXAMPLE E).
- ⑰ PAINTING INSTRUCTIONS – THE PHRASE (PAINT TO MATCH) WILL BE SHOWN WHENEVER A PART HAS TO BE PAINTED BY THE DEALER (SEE EXAMPLE F).
- ⑱ STRIPE TRIM COMBINATIONS – "M, U, L" TRIM COMBINATIONS ON STRIPES WILL DESIGNATE THE BODY TRIM CODE WITH WHICH THE STRIPE IS USED. "A" IN THE TRIM CODE DESIGNATES ACCENT COLOR.



## BODY NUMBER PLATE

THE BODY NUMBER PLATE IDENTIFIES THE MODEL YEAR, CAR DIVISION, SERIES, STYLE, BODY ASSEMBLY PLANT, BODY NUMBER, TRIM COMBINATION, MODULAR SEAT CODE, PAINT CODE AND BUILD DATE CODE.



MODEL SERIES IDENTIFICATION

Year	Series	Wheelbase	Vehicle
1953-1957	2900	102	CORVETTE
1958-1962	800	102	CORVETTE
1963-1964	837	98	CORVETTE (SPORT COUPE)
1963-1964	867	98	CORVETTE (CONVERTIBLE)
1965-1972	19437	98	CORVETTE (SPORT COUPE)
1965-1972	19467	98	CORVETTE (CONVERTIBLE)
1973-1975	1YZ67	98	CORVETTE (CONVERTIBLE)
1973-1977	1YZ37	98	CORVETTE (SPORT COUPE)
1978-1980	1YZ87	98	CORVETTE (SPORT COUPE)
1981	1YY87	98	CORVETTE (SPORT COUPE)
1982	1YY07	98	CORVETTE (FASTBACK HATCH) COLLECTORS EDITION
1982	1YY87	98	CORVETTE (SPORT COUPE)

CORVETTE ENGINE SERIES NUMBER AND SUFFIX CHART

1956

**"265"—8 CYLINDER**

Description	Type Designation	Description	Type Designation
3-Speed .....	GR	Powerglide .....	FG

**EXAMPLE 1:**

The 50th 2100 Series regular production "235" 6-cylinder engine built at Flint carries Serial No. 0001050 F56Z; if built at Tonawanda, 0001050 T56Z

1957

3 Speed Transmission and 4BC .....	EF	Powerglide .....	FH
Dual 4BC .....	EH	3 Speed Transmission and Fuel Injection .....	EM
Dual 4BC and Hi Lift Cam .....	EG	3 Speed Transmission, Fuel Injection and Hi Lift Cam .....	EL
Powerglide and Dual 4BC .....	FG	Powerglide and Fuel Injection .....	FK

Note: The continuous engine serial number has been eliminated. The engine plants now stamp a source, production date and type on serial pad.

Note: Numbered in sequence commencing with 1001.

**EXAMPLE: T101A**

(T)	(1)	(01)	(A)
Tonawanda	Month	Day	Standard 6 cyl. "235"
Plant	January	First	Models 15-21-2400

1958

**"283"—8 CYLINDER**

3 Speed Transmission .....	CQ	3 Speed Transmission, Dual 4BC and Hi Lift Cam .....	CU
3 Speed Transmission and Fuel Injection .....	CR	Powerglide .....	DG
3 Speed Transmission, Fuel Injection and Hi Lift Cam .....	CS	Powerglide and Fuel Injection .....	DH
3 Speed Transmission and Dual 4BC .....	CT	Powerglide and Dual 4BC .....	DJ

Note: The continuous engine serial number has been eliminated. Engines are now stamped with a source, production date and type on serial pad.

1959

**"283"—8 CYLINDER**

3 Speed Transmission .....	CQ	3 Speed, Dual 4BC and Hi Lift Cam .....	CU
3 Speed and Fuel Injection .....	CR	Powerglide .....	DG
3 Speed, Fuel Injection and Hi Lift Cam .....	CS	Powerglide and Fuel Injection .....	DH
3 Speed and Dual 4BC .....	CT	Powerglide and Dual 4BC .....	DJ

Note: The continuous engine serial number has been eliminated. The engine plants now stamp a source, production date and type on serial pad.

1960

**"283"—8 CYLINDER**

Manual Trans. ....	CQ	Dual 4BC and Hi Lift Cam .....	CU
Fuel Injection .....	CR	Powerglide .....	DG
Fuel Injection and Hi Lift Cam .....	CS	Powerglide and Dual 4BC .....	DJ
Dual 4BC .....	CT		

CORVETTE ENGINE SERIES NUMBER AND SUFFIX CHART (Cont.)

V7

1961

"283"—8 CYLINDER

Description	Type Designation	Description	Type Designation
Manual Trans. . . . .	CQ	Dual 4BC and Hi Lift Cam . . . . .	CU
Fuel Injection . . . . .	CR	Powerglide . . . . .	DG
Fuel Injection and Hi Lift Cam . . . . .	CS	Powerglide and Dual 4BC . . . . .	DJ
Dual 4BC . . . . .	CT		

Note: CORVETTE engines have the last six digits of the vehicle serial number stamped on engine date boss. Engines are stamped with a source, production date and type on serial pad.

1962

"327"—8 CYLINDER

Dual 4 BC . . . . .	QB	Manual Trans. and Fuel Injection . . . . .	RF
Manual Trans. . . . .	RC	Powerglide . . . . .	SC
Manual Trans. and High Performance . . . . .	RD	Powerglide and High Performance . . . . .	SD
Manual Trans. and Spec. High Performance . . . . .	RE		

1963

"327"—8 CYLINDER

Manual Trans. . . . .	RC	Manual Trans. and Fuel Injection . . . . .	RF
Manual Trans. and High Performance . . . . .	RD	Powerglide . . . . .	SC
Special High Performance . . . . .	RE	Powerglide and High Performance . . . . .	SD

1964

"327"—8 CYLINDER

Manual Trans. . . . .	RC	Manual Trans. and Transistor Ignition . . . . .	RT
Manual Trans. and High Performance . . . . .	RD	Manual Trans. Transistor Ignition and C.A.C. . . . .	RU
Special High Performance . . . . .	RE	Fuel Injection and Transistor Ignition . . . . .	RX
Manual Trans. and Fuel Injection . . . . .	RF	Powerglide . . . . .	SC
Manual Trans. and C.A.C. . . . .	RP	Powerglide and High Performance . . . . .	SD
Manual Trans. High Performance and C.A.C. . . . .	RQ	Powerglide and C.A.C. . . . .	SK
Manual Trans., Special High Performance and C.A.C. . . . .	RR	Powerglide, High Performance and C.A.C. . . . .	SL

Note: Engines are stamped with a source, production date and type on serial pad.

1965

"327"—8 CYLINDER

Manual Transmission . . . . .	HE	Powerglide . . . . .	HO
High Performance . . . . .	HF	Powerglide and High Performance . . . . .	HP
Fuel Injection . . . . .	HG	Powerglide and C.A.C. . . . .	HQ
Spec. High Performance . . . . .	HH	Powerglide; High Performance and C.A.C. . . . .	HR
C.A.C. . . . .	HI	Spec. High Performance and Hyd. Lifters . . . . .	HT
High Performance and C.A.C. . . . .	HJ	Spec. High Performance, Hyd. Lifters and C.A.C. . . . .	HU
Spec. High Performance and C.A.C. . . . .	HK	Spec. High Performance Hyd. Lifters and Transistor-Ignition . . . . .	HV
Transistor Ignition . . . . .	HL	Spec. High Performance Hyd. Lifters, Transistor Ignition and C.A.C. . . . .	HW
Transistor Ignition and C.A.C. . . . .	HM		
Fuel Injection and Transistor Ignition . . . . .	HN		

**CORVETTE ENGINE SERIES NUMBER AND SUFFIX CHART (Cont.)**

V8

1965

**"396"—8 CYLINDER**

Description	Type Designation	Description	Type Designation
Spec. High Performance .....	IF		

Note: Engines are stamped with a source, production date and type on serial pad.

1966

**"327"—8 CYLINDER**

Manual Trans. ....	HE	Powerglide .....	HO
A.I.R. ....	HH	Special High Performance .....	HT
A.I.R. and Powerglide .....	HR	Power Steering .....	HP
Special High Performance and A.I.R. ....	HD	Special High Performance, C.A.C. and A.I.R. ....	KH

**"427"—8 CYLINDER**

Special High Performance (Hyd. Lifters) .....	IK	Special High Performance .....	IP
High Performance .....	IL	Powerglide .....	IQ
A.I.R. ....	IM	Powerglide and A.I.R. ....	IR

Type Designations for some engines will be followed by an R (Rochester) or H (Holly - Carter) to designate Carburetor requirements.

1967

**"327"—8 CYLINDER**

Manual Trans. ....	HE	Powerglide .....	HO
A.I.R. ....	HH	Special High Performance .....	HT
A.I.R. and Powerglide .....	HR	Power Steering, Special High Performance and C.A.C. .	HP
Special High Performance and A.I.R. ....	HD	Special High Performance, C.A.C. and A.I.R. ....	KH

**"427"—8 CYLINDER**

4-Speed or Powerglide .....	IL	A.I.R. and Aluminum Heads .....	JH
Tri. Carb. ....	JC	Powerglide .....	IQ
Special High Performance and Tri. Carb. ....	JE	Powerglide and Tri. Carb. ....	JD
Heavy Duty .....	IT	A.I.R. and Powerglide .....	IR
Aluminum Heads .....	IU	A.I.R. Powerglide and Tri. Carb. ....	JG
A.I.R. ....	IM	A.I.R. Special High Performance and	
A.I.R. and Tri. Carb. ....	JF	Tri. Carb. ....	JA

1968

**"327"—8 CYLINDER**

Manual Trans. ....	HE	Hyd. Steering and C.A.C. ....	HP
3-Speed Automatic Trans. ....	HO	Special High Performance .....	HT

CORVETTE ENGINE SERIES NUMBER AND SUFFIX CHART (Cont.)

1968

## "427"—8 CYLINDER

Description	Type Designation	Description	Type Designation
High Performance	IL	Special High Performance, Tri. Carb.	IR
High Performance and Tri. Carb.	IM	Heavy Duty	IT
High Performance, Tri. Carb. and 3-Speed Automatic Trans.	IO	Special High Performance, Tri. Carb. and Aluminum Heads	IU
3-Speed Automatic Trans.	IQ		

1969

## "350"—8 CYLINDER

High Performance	HW	Manual Trans.	HY
High Performance C.A.C.	HX	3-Speed Automatic Trans. T.H. 400	HZ

## "427"—8 CYLINDER

High Performance 3-Speed Automatic Trans. T.H. 400	LL	Tri-Carb. Special High Performance Heavy Duty Clutch	LT
High Performance	LM	Aluminum Heads Heavy Duty Clutch	LU
Tri-Carb. High Performance 3-Speed Automatic Trans. T.H. 400	LN	Heavy Duty 3-Speed Automatic Trans. T.H. 400	LV
Heavy Duty	LO	Aluminum Heads 3-Speed Automatic Trans. T.H. 400	LW
Aluminum Heads	LP	Tri-Carb. Special High Performance	
Tri-Carb. High Performance	LQ	3-Speed Automatic Trans. T.H. 400	LX
Tri-Carb. Special High Performance	LR		

1970

## "350"—8 CYLINDER

Manual Trans.	CTL	High Performance, Transistor Ignition, C.A.C.	CTQ
3-Speed Automatic T.H. 400	CTM	Special High Performance	CTR
High Performance	CTN	Special High Performance, Transistor Ignition	CTU
High Performance, C.A.C.	CTO	Special High Performance, Transistor Ignition, 4-Speed	CTV
High Performance, Transistor Ignition	CTP		

## "454"—8 CYLINDER

High Performance, 4-BBL, 3-Speed Automatic T.H. 400	CGW	4-BBL, Heavy Duty, 3-Speed Automatic T.H. 400	CZN
High Performance, 4-BBL	CZU	High Performance, 4-BBL, Transistor Ignition	CRI
4-BBL, Heavy Duty	CZL		

CORVETTE ENGINE SERIES NUMBER AND SUFFIX CHART (Cont.)

V10

1971

"350" - 8 CYLINDER

Description	H.P.	Type Designation
4-Speed Trans. ....	270	CJL
T.H. 400 ....	270	CGT
4-Speed Trans. ....	330	CGZ
T.H. 400 ....	330	CJK
H.D. 4-Speed Trans. ....	330	CGY

"454" - 8 CYLINDER

T.H. 400 ....	365	CPJ
4-Speed Trans. ....	365	CPH
4-Speed Trans. ....	425	CPW
T.H. 400 ....	425	CPX

1972

"350" - 8 CYLINDER

Base-4-Speed	CKW	LT1-4 Speed	CKY
Base-4-Speed w/NB2	CDH	LT1 H.D. 4-Speed	CKZ
Base-T.H. 400	CKX	LT1-4 Speed w/A.I.R.	CRT
Base-T.H. 400 w/NB2	CDJ	LT1-T.H. 400 w/A.I.R.	CRS

454 - 8 CYLINDER

LS5-4-Speed	CPH	LS5 w/A.I.R.	CSR
LS5-T.H. 400	CPJ	LS5 w/A.I.R.	CSS

1973-74

350 CID

Manual Trans. (L48)	CKZ	T.H. 400 (L48) w/NB2	CLC
T.H. 400	CLA	Manual Trans. (L82) w/NB2 (1973)	CLS
Manual Trans. (L82)	CLR	T.H. 400 (L82)	CLD
Manual Trans. (L48) w/NB2	CLB	T.H. 400 (L82) w/NB2 (1973)	CLH

454 CID

T.H. 400 w/NB2	CWS	Manual Trans.	CWM
Manual Trans. w/NB2 (1973)	CWT	T.H. 400	CWR

1975

350 CID

M.T.	CHA	M.T. w/Sp. H/Per.	CHC
A.T. w/Fed.	CHB	A.T. w/Calif., Sp. H/Per.	CHR
A.T. w/Calif.	CHZ	A.T. w/Fed., Sp. H/Per.	CKC
4-Spd.	CRJ	4-Spd. (H/Per.)	CUT
T.H. 400	CRK	4-Spd.	CUA
4-Spd. (H/Per.)	CRL	4-Spd.	CUB
T.H. 400 (H/Per.)	CRM	4-Spd. (H/Per.)	CUD

**CORVETTE ENGINE SERIES NUMBER AND SUFFIX CHART (Cont.)**

V11

**1975  
350 CID**

CLM ..... CHC  
 CLR ..... CHR  
 CLS ..... CKC  
 CKW .....  
 CKX .....  
 CLS .....

**1977  
350 CID**

CKZ ..... CLD  
 CLA ..... CLF  
 CLB .....  
 CLC .....  
 CHD .....  
 CKD .....

**1978**

**350L CID — L48 OPT.**

**VIN-I**

Calif. .... CLR  
 Alt. .... CLS  
 A.T. w/Fed. .... CUT  
 M.T. .... CHW  
 ..... CLM

**350H CID — L82 OPT.**

**VIN-H**

M.T. .... CMR  
 A.T. .... CMS

**1979**

**350-8 CID — L48 OPT.**

**VIN-8**

M.T. .... ZAA  
 A.T. w/Fed. .... ZAB  
 Calif. .... ZAC  
 Alt. .... ZAD

**350-4 CID — L82 OPT.**

**VIN-4**

M.T. .... ZBA  
 A.T. .... ZBB

**1980**

305-H (LG4) A.T. .... ZCA  
 350-8 (L48) M.T. .... ZAM  
 350-8 (L48) A.T. .... ZAK  
 350-6 (L82) M.T. .... ZBD  
 350-6 (L82) A.T. .... ZBC

**1981**

350-6 (L81) M.T., Fed. .... ZDA  
 350-6 (L81) A.T., Calif. .... ZDB  
 350-6 (L81) M.T., Calif. .... ZDC  
 350-6 (L81) A.T., Fed. .... ZDD

**1982**

350-8 (L83) w/A.T., Fed. .... ZBA  
 350-8 (L83) w/A.T., Calif. .... ZBC  
 350-8 (L83) w/Calif. .... ZFN

**1978 TRANSMISSION IDENTIFICATION CODES**

**M20 — 4 SPD. MAN.**

ZU S6

**M21 — 4 SPD. MAN.**

ZW

**M38 — 3 SPD. AT.**

5WB 5TL

**1979 TRANSMISSION IDENTIFICATION CODES**

**M20 — 4 SPD. MAN.**

UH  
 (Warner)

**M21 — 4SPD. MAN**

UK  
 (WARNER)

**M38 — 3 SPD. A.T.**

TB WB





## 1976 General Motors Passenger Car Vehicle Identification Numbering (VIN) System

DIVISION/ MAKE	CARLINE/ SERIES	BODY TYPE		ENGINE CODE	MODEL YEAR	PLANT CODE	PRODUCTION SEQUENCE NUMBER
1	Z	3	7	J	6	S	100.001
①	②	③	④	⑤	⑥	⑦	⑧ THRU ⑮

DIVISION CODE/MAKE
1 - Chevrolet
2 - Pontiac
3 - Oldsmobile
4 - Buick
5 - GMC Truck
6 - Cadillac
7 - GM of Canada
0 - GM Overseas

CAR LINE/SERIES		
<b>CHEVROLET (Code 1)</b> B - Chevette C - Malibu, El Camino D - Malibu Classic, El Camino Classic E - Laguna S3 G - Malibu Classic Estate H - Monte Carlo S J - Chevette L - Impala M - Monza N - Caprice Q - Camaro R - Monza 2+ 2 S - Camaro LT V - Vega X - Nova Y - Nova Custom Z - Corvette  <b>PONTIAC (Code 2)</b> C - Astre, Astre Safari D - LeMans, LeMans Safari F - LeMans Sport Coupe G - Grand LeMans, Grand LeMans Safari J - Grand Prix K - Grand Prix LJ L - Catalina, Catalina Safari M - Sunbird P - Grand Safari R - Bonneville Brougham S - Firebird T - Firebird Esprit U - Firebird Formula W - Firebird Trans Am Y - Ventura Z - Ventura SJ	<b>CADILLAC (Code 6)</b> B - Fleetwood Brougham C - Calais D - DeVille F - Fleetwood L - Eldorado S - Seville Z - Commercial Chassis  <b>OLDSMOBILE (Code 3)</b> B - Omega D - Starfire "SX" E - Omega Brougham G - Cutlass S H - Cutlass Supreme Cruiser J - Cutlass Supreme Vista Cruiser K - Cutlass Salon L - Delta 88 M - Cutlass Supreme Brougham N - Delta 88 Royale Q - Custom Cruiser R - Custom Cruiser S - Omega F85 T - Starfire V - Ninety Eight Luxury X - Ninety Eight Regency Y - Toronado Custom Z - Toronado Brougham	<b>BUICK (Code 4)</b> B - Skylark C - Skylark S-R D - Century E - Century Special H - Century Custom J - Regal K - Century Custom Wagon L - LeSabre P - LeSabre Custom R - Estate Wagon S - Skyhawk T - Skyhawk S V - Electra 225 W - Skylark "S" X - Electra Limited Z - Riviera

ENGINE CODES				
CODE	TYPE-C.I.D.	HHP	CARB.	DV.
A	L4-140	70	1B	1-2
B	L4-140	84	2B	1-2-3
C	V6-231	105	2B	2-3-4
D	L6-250	100	1B	1-2-3
E	L4-97.6 (1.6 Litre)	60	1B	1
F	V8-260	110	2B	2-3-4
G	V8-262	110	2B	1
H	V8-350	140	2B	2-3-4
I	L4-85 (1.4 Litre)	52	1B	1
J	V8-350	155	4B	2-3-4
L	V8-350	165	4B	1
	V8-350	180	4B	1
M	V8-350	160	2B	2
N	V8-400	170	2B	2
O	L4-122	110	EFI	1
P	V8-350	165	4B	2
Q	V8-305	140	2B	1
R	V8-350	170	4B	3
	V8-350	180	EFI	6
S	V8-455	215	4B	3
	V8-454	225	4B	1
	V8-500	190	4B	6
	V8-500	215	EFI	6
T	L6-292	120	1B	1
	V8-455	190	4B	3
U	V8-400	175	4B	1
V	V8-350	145	2B	1
W	V8-455	200	4B	2
X	V8-350	210	4B	1
Y	V8-455	205	4B	4
Z	V8-400	185	4B	2

\*Body Type - See Model Chart

## 1977 General Motors Passenger Car Vehicle Identification Numbering (VIN) System

DIVISION/ MAKE	CARLINE/ SERIES	BODY TYPE		ENGINE CODE	MODEL YEAR	PLANT CODE	PRODUCTION SEQUENCE NUMBER
1	Z	3	7	R	7	S	100.001
①	②	③	④	⑤	⑥	⑦	⑧ THRU ⑬

DIVISION CODE/MAKE
1 - Chevrolet
2 - Pontiac
3 - Oldsmobile
4 - Buick
5 - GMC Truck
6 - Cadillac
7 - GM of Canada
8 - GM Overseas

CAR LINE/SERIES		
<b>CHEVROLET (Code 1)</b> B - Chevette C - Malibu, El Camino D - Malibu Classic, El Camino Classic H - Monte Carlo J - Chevette "Scooter" K - Bel Air (Canada) L - Impala M - Monza Towne Coupe N - Caprice Classic Q - Camaro R - Monza Hatchback Coupe S - Camaro LT V - Vega X - Nova Y - Nova Concours Z - Corvette  <b>PONTIAC (Code 2)</b> C - Astre D - LeMans, LeMans Safari F - LeMans Sport G - Gran LeMans, Grand LeMans Safari H - Grand Prix SJ J - Grand Prix LJ K - Grand Prix LJ L - Catalina, Catalina Safari M - Sunbird N - Bonneville - Grand Safari O - Bonneville Brougham S - Firebird T - Firebird Esprit U - Firebird Formula W - Firebird Trans Am Y - Ventura Z - Ventura SJ	<b>CADILLAC (Code 6)</b> B - Fleetwood Brougham D - DeVille F - Fleetwood Limo L - Eldorado S - Seville Z - Commercial Chassis  <b>OLDSMOBILE (Code 3)</b> B - Omega D - Starfire "SX" E - Omega Brougham G - Cutlass S H - Vista Cruiser J - Cutlass Supreme K - Cutlass Salon L - Delta 88 M - Cutlass Supreme Brougham N - Delta 88 Royale O - Custom Cruiser Wagon S - Omega F85 T - Starfire V - Ninety Eight Luxury W - Toronado XSR X - Ninety Eight Regency Z - Toronado Brougham	<b>BUICK (Code 4)</b> B - Skylark C - Skylark SR D - Century E - Special F - LeSabre Sport Coupe H - Century Custom J - Regal K - Century Custom Wagon N - LeSabre P - LeSabre Custom R - Estate Wagon S - Skyhawk T - Skyhawk S V - Opal W - Electra 225 X - Skylark "S" Y - Electra Limited Z - Riviera  <b>GM CANADA ONLY (Code 7)</b> B - Acadian J - Acadian S K - Laurentian N - Parisiennu  <b>GMC TRUCK &amp; COACH (Code 5)</b> C - Sprint D - Sprint Classic

ENGINE CODES				
CODE	DISP	MHP	CARB	DIV.
A	231	NA	2 4	
B	140	84	2 1,2,3	
B	111	80	2 4	
C	231	105	2 2,3,4	
D	250	110	1 1.5,7,2*	
E	98	63	1 1,7	
F	260	110	2 3	
G	350	140	2 3	
H	350	140	2 4	
I	85	57	1 1,7	
J	350	155	4 4	
K	403	185	4 2,3,4	
L	350	170	4 1,2,3,4,5,7	
L	350	180	4 1	
P	350	170	4 2	
R	350	180	EFI 6	
R	350	170	4 2,3,4	
S	425	180	4 6	
T	425	195	EFI 6	
U	305	145	2 1,2,3,4,5,7	
V	151	87	2 2	
X	350	210	4 1	
Y	301	135	2 2,4	
Z	400	180	4 2	

\*Body Type - See Model Chart

\*CANADIAN PONTIAC

## 1978 General Motors Passenger Car Vehicle Identification Numbering (VIN) System

DIVISION/ MAKE	CARLINE/ SERIES	BODY TYPE		ENGINE CODE	MOF YEAR	PLANT CODE	PRODUCTION SEQUENCE NUMBER
1	Z	3	7	R	8	S	100.001
①	②	③	④	⑤	⑥	⑦	⑧ THRU ⑬

DIVISION CODE/MAKE
1 - Chevrolet
2 - Pontiac
3 - Oldsmobile
4 - Buick
5 - GMC Truck
6 - Cadillac
7 - GM of Canada
8 - GM Overseas

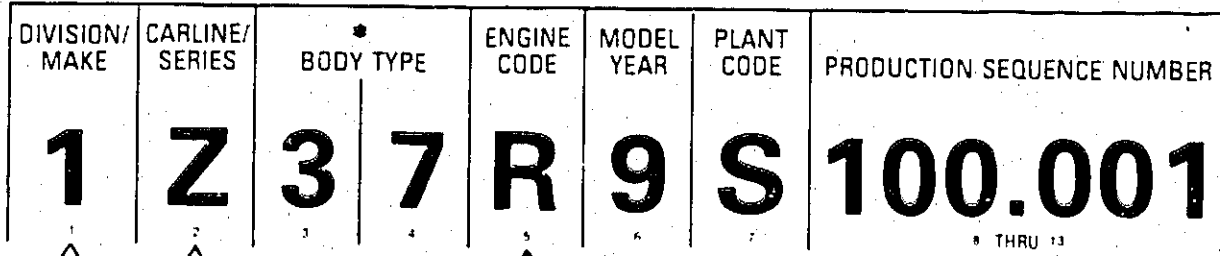
CAR LINE/SERIES	
<b>CHEVROLET (Code 1)</b> B - Chevette J - Chevette "Scooter" K - Bel Air (Canada) L - Impala M - Monza - Monza S N - Caprice Classic O - Camaro R - Monza 2-2 Monza Sport S - Camaro LT T - Malibu W - Malibu Classic El Camino X - Nova Y - Nova Custom Z - Corvette Z - Monte Carlo	<b>OLDSMOBILE (Code 3)</b> B - Omega D - Starfire "SX" E - Omega Brougham G - Cutlass Salon H - Cutlass Cruiser J - Cutlass Salon Brougham K - Cutlass Calais L - Delta 88 M - Cutlass Supreme Brougham N - Delta 88 Royale O - Custom Cruiser R - Cutlass Supreme Starfire V - Ninety Eight Luxury X - Ninety Eight Regency Z - Toronado Brougham
<b>PONTIAC (Code 2)</b> D - LeMans E - Sunbird F - Grand LeMans G - Gran Am H - Grand Prix SJ J - Grand Prix K - Grand Prix LJ L - Catalina M - Sunbird Sport N - Bonneville - Grand Safari O - Bonneville Brougham S - Firebird T - Firebird Esprit U - Firebird Formula W - Firebird Trans Am Y - Phoenix Z - Phoenix LJ	<b>BUICK (Code 4)</b> B - Skylark C - Skylark Custom E - Century Special F - LeSabre Sport Coupe G - Century Sport Coupe H - Century Custom J - Regal K - Regal Sport Coupe L - Century Limited M - Regal Limited N - LeSabre P - LeSabre Custom R - Estate Wagon S - Skyhawk T - Skyhawk S U - Electra Park Ave. V - Electra 225 W - Opel Sport X - Skylark "S" Y - Electra Limited Z - Opel Deluxe Riviera
<b>CADILLAC (Code 6)</b> B - Fleetwood Brougham D - DeVille F - Fleetwood Limo L - Eldorado S - Seville Z - Commercial Chassis	<b>GM CANADA ONLY (Code 7)</b> B - Acadian J - Acadian S K - Laurentian N - Parisienne
<b>GMC TRUCK &amp; COACH (Code 5)</b> W - Cabellero	

ENGINE CODES					
CODE	DISP	HP	CARB	DIV/USAGE	PROD. DIV.
A	231	105	2	1,2,3,4,5	4
B	350	180	EFI	6	6
B*	111		2		0
C (3.2L)	196		2	1,4	4
D	257	110	1	1,2,*	1
E (1.6L)	98	63	1	1,7	1
F	260	110	2	3	3
G (3.8L)	231		2	4	4
H	305		4	1,2,3,4	1
J (1.6L)	98		1	1,7	1
K	403	185	4	2,3,4	3
L	350	170	4	1,2,3,4,5,7	1,7
M (3.3L)	200		2	1,5,2*	1
N (5.7L)	350		DIESEL	3,6	3
R	350	170	4	2,3,4	3
S	425	180	4	6	6
T	425	195	EFI	6	6
U	305	145	2	1,2,3,4,5,7	1,7
V	151	87	2	1,2,3	2
W	301		4	2	2
X	350	155	4	2,4	4
Y	301	135	2	2,4	2
Z	400	180	4	2,4	2
1	151		2	1,2,3	2
2	231		2	4	4
3 (3.8L)	231		4	4	4
4	350		4	1	1

\*Canadian  
#Opel Isuzu

\*Body Type - See Model Chart

# 1979 General Motors Passenger Car Vehicle Identification Numbering (VIN) System



DIVISION CODE/MAKE
1 - Chevrolet
2 - Pontiac
3 - Oldsmobile
4 - Buick
T - GMC Truck
6 - Cadillac
7 - GM of Canada
0 - GM Overseas

CAR LINE SERIES	
<p><b>CHEVROLET (Code 1)</b></p> <ul style="list-style-type: none"> <li>B - Chevette</li> <li>J - Chevette "Scooter"</li> <li>L - Impala</li> <li>M - Monza - Monza S</li> <li>N - Caprice Classic</li> <li>Q - Camaro</li> <li>R - Monza 2 - 2</li> <li>  Monza Sport</li> <li>S - Berlina</li> <li>T - Malibu</li> <li>W - Malibu Classic</li> <li>  El Camino</li> <li>X - Nova</li> <li>Y - Nova Custom</li> <li>Z - Corvette</li> <li>  Monte Carlo</li> </ul> <p><b>PONTIAC (Code 2)</b></p> <ul style="list-style-type: none"> <li>D - LeMans</li> <li>E - Sunbird</li> <li>F - Grand LeMans</li> <li>G - Grand AM</li> <li>H - Grand Prix SJ</li> <li>J - Grand Prix</li> <li>K - Grand Prix LJ</li> <li>L - Catalina</li> <li>M - Sunbird Sport</li> <li>N - Bonneville</li> <li>  Grand Safari</li> <li>Q - Bonneville</li> <li>  Brougham</li> <li>S - Firebird</li> <li>T - Firebird Esprit</li> <li>U - Firebird Formula</li> <li>W - Firebird</li> <li>  Trans AM</li> <li>Y - Phoenix</li> <li>Z - Phoenix LJ</li> </ul> <p><b>CADILLAC (Code 6)</b></p> <ul style="list-style-type: none"> <li>B - Fleetwood Brougham</li> <li>D - DeVille</li> <li>F - Fleetwood Limo</li> <li>L - Eldorado</li> <li>S - Seville</li> <li>Z - Commercial Chassis</li> </ul>	<p><b>OLDSMOBILE (Code 3)</b></p> <ul style="list-style-type: none"> <li>B - Omega</li> <li>D - Starfire "SX"</li> <li>E - Omega Brougham</li> <li>G - Cutlass Salon</li> <li>H - Cutlass Cruiser</li> <li>  Brougham</li> <li>J - Cutlass Salon</li> <li>  Brougham</li> <li>K - Cutlass Catala</li> <li>L - Delta 88</li> <li>M - Cutlass Supreme</li> <li>  Brougham</li> <li>N - Delta 88 Royale</li> <li>Q - Custom Cruiser</li> <li>R - Cutlass Supreme</li> <li>T - Starfire</li> <li>V - Ninety Eight Luxury</li> <li>X - Ninety Eight Regency</li> <li>Z - Toronado Brougham</li> </ul> <p><b>BUICK (Code 4)</b></p> <ul style="list-style-type: none"> <li>B - Skylark</li> <li>C - Skylark Custom</li> <li>E - Century Special</li> <li>F - LeSabre Custom</li> <li>  Sport Coupe</li> <li>G - Century Sport Coupe</li> <li>H - Century Custom</li> <li>J - Regal</li> <li>K - Regal Sport Coupe</li> <li>L - GMCO Series</li> <li>  Built Overseas</li> <li>M - GMCO Series</li> <li>  Built Overseas</li> <li>N - LeSabre</li> <li>P - LeSabre Limited</li> <li>R - Estate Wagon</li> <li>S - Skyhawk</li> <li>T - Skyhawks</li> <li>U - Electra Park Ave.</li> <li>V - Electra 225</li> <li>W - Skylark "S"</li> <li>X - Electra Limited</li> <li>Y - Riviera "S"</li> <li>Z - Riviera</li> </ul> <p><b>GM CANADA ONLY (Code 7)</b></p> <ul style="list-style-type: none"> <li>B - Acadian</li> <li>J - Acadian S</li> <li>K - Laurentian</li> <li>N - Parisienne</li> </ul> <p><b>GMC TRUCK &amp; COACH (Code 5)</b></p> <ul style="list-style-type: none"> <li>W - Caballero</li> </ul>

ENGINE CODES					
CODE	DISP	NHP	CARB	DIV USAGE	PROD. DIV.
A	231	105	2	1,2,3,4,5	4
B	350	180	EFI	6	6
C (3.2L)	196		2	1,4	4
D	250	110	1	1,2,7	1
E (1.6L)	98	63	1	1,2	1
F	260	110	2	2,3	3
G	305		2	1,2,3,4,7	1
H	305		4	1,2,3,4	1
J (4.4L)	267		2	1,5	1
K	403	185	4	2,3,4	3
L	350	170	4	1,2,3,4,7	1
M (3.3L)	200		2	1,2*	1
N	350		DIESEL	3,6	3
O (1.6L)			2	1,7	1
P (4.3L)	260		DIESEL	3	3
R	350	170	4	2,3,4	3
S	425	180	4	5	6
T	425	195	EFI	6	6
V	151	87	2	1,2,3	2
W	301		4	2,4	2
X	350	155	4	2,4	4
Y	301	135	2	2,3,4	2
Z	400	180	4	2	2
1	151		2	1,2,3	2
2	231		2	1,2,3,4	4
3 (3.8L)	231		4	4	4
4	350		4	1	1
8	350		4	1	1
9	151		2	1,2,3	2

\*Canadian  
#Opel Isuzu

\*Body Type - See Model Chart

## 1980 General Motors Passenger Car Vehicle Identification Numbering (VIN) System

DIVISION/ MAKE	CAR LINE/ SERIES	* BODY TYPE		ENGINE CODE	MODEL YEAR	PLANT CODE	PRODUCTION SEQUENCE NUMBER
1	Z	8	7	H	A	S	100.001
1	2	3	4	5	6	7	* THRU 13

DIVISION CODE/MAKE
1 - Chevrolet
2 - Pontiac
3 - Oldsmobile
4 - Buick
T - GMC Truck
6 - Cadillac
7 - GM of Canada
0 - GM Overseas

CAR LINE SERIES	
<b>CHEVROLET (Code 1)</b> B - Chevette H - Citation Custom J - Chevette Scooter L - Impala M - Monza N - Caprice Classic P - Camaro Sport Coupe R - Monza 2-2 S - Camaro Berlinetta T - Malibu W - Malibu Classic, El Camino X - Citation Z - Monte Carlo Z - Corvette  <b>PONTIAC (Code 2)</b> D - LeMans E - Sunbird F - Grand LeMans G - Grand Am H - Grand Prix SJ J - Grand Prix K - Grand Prix LJ L - Catalina M - Sunbird N - Bonneville R - Bonneville Brougham S - Firebird T - Firebird U - Bonneville Brougham V - Firebird W - Firebird Y - Phoenix Z - Phoenix LJ  <b>OLDSMOBILE (Code 3)</b> B - Omega D - Starfire E - Omega Brougham G - Cutlass Salon H - Cutlass Cruiser Brougham J - Cutlass Salon Brougham K - Cutlass Calais L - Delta 88 M - Cutlass Supreme Brougham N - Delta 88 Royale P - Custom Cruiser R - Cutlass Supreme T - Starfire V - Ninety-Eight Luxury X - Ninety-Eight Regency Y - Delta 88 Brougham Z - Toronado	<b>BUICK (Code 4)</b> R - Skylark C - Skylark Limited D - Skylark Sport E - Century F - LeSabre Sport Coupe G - Century Sport Coupe H - Century Custom J - Regal K - Regal Sport Coupe L - Century Limited M - Regal Limited N - LeSabre P - LeSabre Limited R - Estate Wagon S - Skyhawk T - Skyhawk "S" V - Electra Estate W - Electra Park Ave X - Electra Limited Y - Riviera "S" Type Z - Riviera  <b>CADILLAC (Code 6)</b> B - Brougham D - DeVille F - Limousine L - Eldorado S - Seville Z - Commercial Chassis  <b>GM TRUCK &amp; COACH</b> W - Caballero

ENGINE CODES				
CODE	DISP	CARB	DIV USAGE	PROD. DIV.
9 (1.6L)	99	2	1	1
0 (1.6L)	98	2	1	1
R (5.7L)	350	4	2,3,4	2
W (4.9L)	301	4	2,4	2
J (4.4L)	267	2	1,5	1
B (5.7L)	350	EFI	6	6
6 (6.0L)	368	4	6	6
9 (5.0L)	368	TBI	6	6
X (5.7L)	350	4	2,4	4
K (3.8L)	229	2	1,5	1
4 (4.1L)	—	4	4	4
3 (3.8L)	231	4	1,3,4	4
A (3.8L)	231	2	1,2,3,4,5	4
7 (2.8L)	173	2	1,2,3,4	1
N (5.7L)	350	DIES	1,2,3,4,6	3
H (5.0L)	305	4	1,2,3,4,5	1
L (5.7L)	350	4	1	1
S (4.3L)	—	2	2,3	2
T (4.9L)	—	4	2	2
Y (5.0L)	307	4	3	3
F (4.3L)	260	2	3	3
5 (2.5L)	151	2	1,2,3,4	2
V (2.5L)	151	2	1,2,3	2
6 (5.7L)	350	4	1	1
8 (5.7L)	350	EFI	1	1
8 (5.7L)	350	4	1	1

\*Body Type — See Model Chart

# 1981 General Motors Passenger Car Vehicle Identification Numbering (VIN) System

DIVISION/ MAKE	RESTRAINT SYSTEM TYPE	CARLINE/ SERIES	BODY TYPE	ENGINE CODE	CHECK DIGIT	MODEL YEAR	PLANT CODE	PRODUCTION SEQUENCE NUMBER
1G1	A	Y	8   7	6	9	B	S	400.001
① ② ③	④	⑤	⑥ ⑦	⑧	⑨	⑩	⑪	⑫ THRU ⑰

DIVISION CODE	MAKE
1G1	Chevrolet Passenger
1G2	Pontiac Passenger
1G3	Oldsmobile Passenger
1G4	Buick Passenger
1G8	Cadillac Passenger
1G7	GM of Canada Passenger
1GC	Chevrolet Truck
1GT	GMC Truck
JBZ*	Chevrolet Truck
1GB	Chevrolet MPV
1G5	GMC Truck MPV

(See Note)  
\*GM merchandised vehicles built by Isuzu Motors, Fujisawa Japan

CAR LINE/SERIES	
<b>CHEVROLET (Code 1)</b> B — Chevette J — Chevette Scooter L — Impala N — Caprice Classic P — Camaro Sport Coupe S — Camaro Berlinetta T — Malibu W — Malibu Classic, El Camino X — Citation Z — Monte Carlo Y — Corvette <b>PONTIAC (Code 2)</b> D — LeMans F — Grand LeMans J — Grand Prix K — Grand Prix LJ L — Catalina N — Bonneville P — Grand Prix Brougham R — Bonneville Brougham S — Firebird T — Firebird Esprit Lux V — Firebird Formula W — Firebird Trans Am Y — Phoenix Z — Phoenix LJ <b>OLDSMOBILE (Code 3)</b> B — Omega E — Omega Brougham G — Cutless Salon H — Cutless Cruiser Brougham K — Cutless Calais L — Delta 88 M — Cutless Supreme Brougham N — Delta 88 Royale P — Custom Cruiser R — Cutless Supreme V — Ninety-Eight Luxury X — Ninety-Eight Regency Y — Delta 88 Brougham Z — Toronado	<b>BUICK (Code 4)</b> B — Skylark C — Skylark Limited D — Skylark Sport E — Century F — LeSabre Sport Coupe H — Century Custom J — Regal K — Regal Sport Coupe L — Century Limited M — Regal Limited N — LeSabre P — LeSabre Limited R — Estate Wagon V — Electra Estate W — Electra Park Ave. X — Electra Limited Y — Riviera "S" Type Z — Riviera <b>CADILLAC (Code 6)</b> B — Brougham D — DeVille F — Limousine L — Eldorado S — Seville Z — Commercial Chassis <b>GMC TRUCK &amp; COACH</b> W — Cabellero

ENGINE CODES				
CODE	DISP	CARB	DIV/USAGE	PROD. DIV.
9 (1.6L)	98	2	1	1
W (4.9L)	301	4	2,4	2
J (4.4L)	267	2	1,2,3,4,5	1
9 (6.0L)	368	EFI	6	6
X (2.8L)	173	2	1,2,3,4	1
K (3.8L)	229	2	1,2,5	1
4 (4.1L)	252	4	3,4,6	4
3 (3.8L)	231	4	1,3,4	4
A (3.8L)	231	2	1,2,3,4,5	4
Z (2.8L)	173	2	1,2	1
N (5.7L)	350	DIES	1,2,3,4,6	3
H (5.0L)	305	4	1,2,3,4,5	1
L (5.7L)	350	4	1	1
S (4.3L)	—	2	2,4	2
T (4.9L)	—	4	2	2
Y (5.0L)	307	4	2,3,4	3
F (4.3L)	260	2	3	3
5 (2.5L)	151	2	1,2,3,4	2
6 (5.7L)	350	4	1	1
B (5.7L)	350	4	4	4
D (1.8L)	—	DIES	1	1

Code	Restraint System
A	Non Passive Restraint Manual Belts
B	Passive Restraint Automatic Belts
C	Passive Restraint Inflatable Restraints

**NOTE: DIVISION/MAKE**

- 1st Position - Country
  - 1 - United States
  - 2 - Canada
  - J - Japan
- 2nd Position - Manufacture
  - G - General Motors
- 3rd Position - Division
  - 1 - Chevrolet
  - 2 - Pontiac
  - 3 - Oldsmobile
  - 4 - Buick
  - 6 - Cadillac
  - 7 - Canada
  - Z - Isuzu (Luv)

\*Body Type — See Model Chart

# 1982 General Motors Passenger Car Vehicle Identification Numbering (VIN) System

DIVISION/ MAKE	RESTRAINT SYSTEM TYPE	CARLINE/ SERIES	BODY TYPE	ENGINE CODE	CHECK DIGIT	MODEL YEAR	PLANT CODE	PRODUCTION SEQUENCE NUMBER
<b>1G1</b>	<b>A</b>	<b>D</b>	<b>27</b>	<b>G</b>	<b>X</b>	<b>C</b>	<b>7</b>	<b>100.001</b>
① ② ③	④	⑤	⑥ ⑦	⑧	⑨	⑩	⑪	⑫ THRU ⑰

DIVISION CODE	MAKE
1G1	Chevrolet Passenger
1G2	Pontiac Passenger
1G3	Oldsmobile Passenger
1G4	Buick Passenger
1G6	Cadillac Passenger
1G7	GM of Canada Passenger
1G8	Chevrolet Truck
1G9	GMC Truck
1GZ*	Chevrolet Truck
1G8	Chevrolet MPV
1G5	GMC Truck MPV

(See Note)  
\*GM merchandised vehicles built by Isuzu Motors, Fujisawa Japan

CAR LINE/SERIES	
<b>CHEVROLET (Code 1)</b> B — Chevette D — Cavalier E — Cavalier (Hatchback) H — Citation J — Chevette Scooter L — Impala N — Caprice Classic P — Camaro Sport Coupe S — Camaro Berlinetta W — Celebrity (19-27) W — Malibu Classic (35-69) X — Citation Y — Corvette Z — Monte Carlo  <b>PONTIAC (Code 2)</b> B — J2000 C — J2000 LE D — J2000 SE F — Pontiac 6000 G — Pontiac 6000 LE J — Grand Prix K — Grand Prix LJ L — T1000 N — Bonneville P — Grand Prix Brougham R — Bonneville Brougham S — Firebird T — Phoenix SJ W — Firebird Trans Am X — Firebird Special Edition Y — Phoenix Z — Phoenix LJ  <b>OLDSMOBILE (Code 3)</b> B — Omega C — Firenza D — Firenza E — Omega Brougham G — Cutlass Ciera H — Cutlass Cruiser J — Cutlass Ciera LS K — Cutlass Calais L — Delta 88 M — Cutlass Supreme Brougham (47-69) M — Cutlass Ciera Brougham (19-27) N — Delta 88 Royale P — Custom Cruiser R — Cutlass Supreme W — 98 Regency Brougham X — 98 Regency Y — Delta 88 Royale Brougham Z — Toronado Brougham	<b>BUICK (Code 4)</b> B — Skylark C — Skylark Limited D — Skylark Sport G — Century Sport H — Century J — Regal K — Regal Sport L — Century Limited M — Regal Limited N — Le Sabre P — Le Sabre Limited R — Le Sabre Estate S — Skyhawk T — Skyhawk Limited V — Electra Estate W — Electra Park Avenue X — Electra Limited Y — Riviera "T" Z — Riviera Luxury  <b>CADILLAC (Code 6)</b> B — Fleetwood Brougham D — DeVille F — Fleetwood Limousine G — Cimarron F — Fleetwood Limousine G — Cimarron L — Eldorado S — Seville  <b>GMC TRUCK &amp; COACH (Code 5)</b> W — Caballero

ENGINE CODES				
CODE	LITERS	CARB	DIV/USAGE	PROD DIV
A	3.8L V6	2	1,2,3,4	4
B	2.0 L4	2	1,3	1
C	1.6 L4	2	1,2	1
D	1.8 L4	Dies	1	1
E	3.0 V6	2	3,4	4
F	2.5 L4	2	1,2	2
G	1.8 L4	2	1,2,3,4,6	1
H	5.0 V8	4	1,2,3,4	1
J	4.4 V8	2	1,2,3,4	1
K	3.8 V6	2	1	1
L	5.7 V8	4	1	1
N	5.7 V8	Dies	1,2,3,4,6	3
R	2.5 L4	TBI	1,2,3,4	2
T	4.3 V6	Dies	1,2,3,4	3
V	4.3 V6	Dies	1,2,3,4	3
X	2.8 V6	2	1,2,3,4	1
Y	5.0 V8	4	3,4	3
Z	2.8 V6	2	1,2,3,4	1
0	1.8 L4	TBI	2,4	2
1	2.8 V6	2	1,2	1
2	2.5 L4	TBI	1,2	2
3	3.8 V6	4	1,4	4
4	4.1 V6	4	2,3,4,6	4
5	2.5 L4	2	1,2,3,4	2
7	5.0 V8	TBI	1	1
8	5.7 V8	TBI	1	1
8	4.3 V8	2	3	3
8	4.1 V8	DFI	6	6
9	6.0 V8	DFI	6	6

RESTRAINT SYSTEM TYPE	
Code	Restraint System
A	Non Passive Restraint Manual Belts
B	Passive Restraint Automatic Belts
C	Passive Restraint Inflatable Restraints

**NOTE: DIVISION/MAKE**

1st Position Country  
 1 United States  
 2 Canada  
 J Japan

2nd Position Manufacture  
 G General Motors

3rd Position Division  
 1 Chevrolet  
 2 Pontiac  
 3 Oldsmobile  
 4 Buick  
 6 Cadillac  
 7 Canada  
 Z Isuzu (Luv)

\*Body Type — See Model Chart



**CORVETTE BASIC ENGINE DATA & POWER TEAMS**

V12

**1953**

Engine	Cu. In. Displ.	Comp. Ratio	Bore	Stroke	Gross H.P.	Net H.P.	Carburetor	Transmission
Corvette 6 cyl.	235	8.0	3-9/16"	3-15/16"	150 @ 4200 RPM	140 @ 4200 RPM	3-Side Draft Single Barrel	Powerglide

**1954-1955 (1st Series)**

Corvette 6 cyl.	235	8.0	3-9/16"	3-15/16"	150 @ 4200 RPM	140 @ 4200 RPM	3-Side Draft Single Barrel	Powerglide
-----------------	-----	-----	---------	----------	----------------	----------------	----------------------------	------------

**1955 (2nd Series)**

Corvette 6 cyl.	235	8.0	3-3/4"	3"	155 @ 4200 RPM	140 @ 4000 RPM	3-Side Draft Single Barrel	Powerglide
Corvette 8 cyl.	265	8.0	3-3/4"	3"	195 @ 5000 RPM	180 @ 4800 RPM	4-Barrel	Powerglide
Corvette 8 cyl.	265	8.0	3-3/4"	3"	195 @ 5000 RPM	180 @ 4800 RPM	4-Barrel	3-Speed

**1956**

Corvette 8 cyl.	265	9.25	3-3/4"	3"	210 @ 5200 RPM	180 @ 4600 RPM	4-Barrel	3-Speed Powerglide
Corvette 8 cyl.	265	9.25	3-3/4"	3"	225 @ 5200 RPM	196 @ 4800 RPM	Dual 4-Barrel	3-Speed Powerglide

**1957**

Corvette 8 cyl.	283	9.5	3-7/8"	3"	220 @ 4800 RPM	190 @ 4600 RPM	4-Barrel	Close-Ratio Powerglide
Corvette 8 cyl.	283	9.5	3-7/8"	3"	245 @ 5000 RPM	215 @ 4800 RPM	Dual 4-Barrel	Close-Ratio Powerglide
Corvette 8 cyl.	283	9.5	3-7/8"	3"	250 @ 5000 RPM	225 @ 4800 RPM	Fuel Injection	Close-Ratio Powerglide
*Corvette 8 cyl.	283	9.5	3-7/8"	3"	270 @ 6000 RPM	230 @ 6000 RPM	Dual 4-Barrel	Close-Ratio
*Corvette 8 cyl.	283	10.5	3-7/8"	3"	283 @ 6200 RPM	240 @ 5600 RPM	Fuel Injection	Close-Ratio

\*MAXIMUM performance engines have special performance-type camshaft, high-speed valve system and mechanical valve lifters. All other engines have hydraulic valve lifters.

**CORVETTE BASIC ENGINE DATA & POWER TEAMS (Cont.)**

V13

1958

Engine	Cu. In. Displ.	Comp. Ratio	Bore	Stroke	Gross H.P.	Net H.P.	Carburetor	Transmission
Corvette-8 cyl.	283	9.5	3-7/8"	3"	230 @ 4800 RPM	195 @ 4600 RPM	4-Barrel	3-Speed, 4-Speed, PG
Corvette-8 cyl.	283	9.5	3-7/8"	3"	245 @ 5000 RPM	215 @ 4800 RPM	Dual 4-Barrel	3-Speed, 4-Speed, PG
*Corvette-8 cyl.	283	9.5	3-7/8"	3"	270 @ 6000 RPM	230 @ 6000 RPM	Dual 4-Barrel	3-Speed, 4-Speed
Corvette-8 cyl.	283	9.5	3-7/8"	3"	250 @ 5000 RPM	225 @ 4800 RPM	Fuel Injection	3-Speed, 4-Speed, PG
*Corvette-8 cyl.	283	10.5	3-7/8"	3"	290 @ 6200 RPM	245 @ 5600 RPM	Fuel Injection	3-Speed, 4-Speed

\*MAXIMUM performance engines have special performance-type camshaft, high speed valve system and mechanical valve lifters. All other engines have hydraulic valve lifters.

1959

Corvette-8 cyl.	283	9.5	3-7/8"	3"	230 @ 4800 RPM	195 @ 4600 RPM	4-Barrel	3 or 4-Speed, PG
Corvette-8 cyl.	283	9.5	3-7/8"	3"	245 @ 5000 RPM	215 @ 4800 RPM	Dual 4-Barrel	3 or 4-Speed, PG
●Corvette-8 cyl.	283	9.5	3-7/8"	3"	270 @ 6000 RPM	230 @ 6000 RPM	Dual 4-Barrel	3 or 4-Speed
Corvette-8 cyl.	283	9.5	3-7/8"	3"	250 @ 5000 RPM	225 @ 4800 RPM	Fuel Injection	3 or 4-Speed, PG
Corvette-8 cyl.	283	10.5	3-7/8"	3"	290 @ 6200 RPM	245 @ 5600 RPM	Fuel Injection	3 or 4-Speed

●NOTE: Includes special performance type camshaft.

1960-1961

Corvette-8 cyl.	283	9.5	3-7/8"	3"	230 @ 4800 RPM	195 @ 4600 RPM	4-Barrel	3 or 4-Speed, PG
Corvette-8 cyl.	283	9.5	3-7/8"	3"	245 @ 5000 RPM	215 @ 4800 RPM	Dual 4-Barrel	3 or 4-Speed, PG
●Corvette-8 cyl.	283	9.5	3-7/8"	3"	270 @ 6000 RPM	230 @ 6000 RPM	Dual 4-Barrel	3 or 4-Speed
Corvette-8 cyl.	283	11.0	3-7/8"	3"	275 @ 5200 RPM	—	Fuel Injection	3 or 4-Speed
●Corvette-8 cyl.	283	11.0	3-7/8"	3"	315 @ 6200 RPM	—	Fuel Injection	3 or 4-Speed

●NOTE: Includes special performance type camshaft

CORVETTE BASIC ENGINE DATA & POWER TEAMS (Cont.)

V14

1962

Engine	Cu. In. Displ.	Comp. Ratio	Bore	Stroke	Gross H.P.	Net H.P.	Carburetor	Transmission
Corvette-8 cyl.	327	10.5	4"	3-1/4"	250 @ 4400 RPM	210 @ 4400 RPM	4-Barrel	3 or 4-Speed, PG
Corvette-8 cyl.	327	10.5	4"	3-1/4"	300 @ 5000 RPM	-	Large 4-Barrel	3 or 4-Speed, PG
Corvette-8 cyl.	327	11.25	4"	3-1/4"	340 @ 6000 RPM	-	Large 4-Barrel	3 or 4-Speed
Corvette-8 cyl.	327	11.25	4"	3-1/4"	360 @ 6000 RPM	-	Fuel Injection	3 or 4-Speed

1963

327-8 cyl.	327	10.5	4"	3-1/4"	250 @ 5000 RPM	210 @ 4400 RPM	4-Barrel	3-SPD., 4-SPD., PG
327-8 cyl.	327	10.5	4"	3-1/4"	300 @ 500 RPM	-	Large 4-Barrel	3-SPD., 4-SPD., PG
327-8 cyl.	327	11.25	4"	3-1/4"	340 @ 6000 RPM	-	Large 4-Barrel	3-SPD., 4-SPD.
327-8 cyl.	327	11.25	4"	3-1/4"	360 @ 6000 RPM	-	Fuel Injection	3-SPD., 4-SPD.

1964

327-8 cyl.	327	10.5	4"	3-1/4"	250 @ 4400 RPM	210 @ 4400 RPM	4-Barrel	3-SPD., 4-SPD., PG
327-8 cyl.	327	10.5	4"	3-1/4"	300 @ 5000 RPM	-	Large 4-Barrel	3-SPD., 4-SPD., PG
327-8 cyl.	327	11.25	4"	3-1/4"	365 @ 4000 RPM	-	Large 4-Barrel	3-SPD., 4-SPD.
327-8 cyl.	327	11.25	4"	3-1/4"	375 @ 44- 4800 RPM	-	F.I.	3-SPD., 4-SPD.

**CORVETTE BASIC ENGINE DATA & POWER TEAMS (Cont.)**

V15

1965

Engine	Cu. In. Displ.	Comp. Ratio	Bore	Stroke	Gross H.P.	Net H.P.	Carburetor	Transmission
327-8 cyl.	327	10.5	4"	3-1/4"	250 @ 4400 RPM	210 @ 4400 RPM	4-Barrel	3-SPD., 4-SPD., PG
327-8 cyl.	327	10.5	4"	3-1/4"	300 @ 5000 RPM	-	Large 4-Barrel	3-SPD., 4-SPD., PG
327-8 cyl.	327	11.0	4"	3-1/4"	350 @ 5800 RPM	-	Large 4-Barrel (Hyd. Lifters)	3-SPD., 4-SPD.
327-8 cyl.	327	11.0	4"	3-1/4"	365	-	Large 4-Barrel (Mech. Lifters)	3-SPD., 4-SPD.
327-8 cyl.	327	11.0	4"	3-1/4"	375	-	F.I. (Mech. Lifters)	3-SPD., 4-SPD.
396-8 cyl.	396	11.0	4-3/32"	3-49/64"	425 @ 6400 RPM	-	4-Barrel	4-SPD.

1966

327-8 cyl.	327	10.5	4"	3-1/4"	300 @ 5000 RPM	-	Large 4-Barrel	3-SPD., 4-SPD., PG
327-8 cyl.	327	11.0	4"	3-1/4"	350 @ 5800 RPM	-	Large 4-Barrel (Hyd. Lifters)	3-SPD., 4-SPD.
427-8 cyl.	427	10.25	4-1/4"	3-49/64"	390 @ 5400 RPM	-	Large 4-Barrel (Hyd. Lifters)	4-SPD.
427-8 cyl.	427	11.0	4-1/4"	3-49/64"	425 @ 6400 RPM	-	F.I. (Mech. Lifters)	4-SPD.

1967

Turbo-Fire 327-8 cyl.	327	10.25	4"	3-1/4"	300 @ 5000 RPM	-	4-Barrel	3-SPD., 4-SPD., PG
Turbo-Fire 327-8 cyl.	327	11.0	4"	3-1/4"	350 @ 5800 RPM	-	4-Barrel	3-SPD., 4-SPD.
Turbo-Jet 427-8 cyl.	427	10.25	4-1/4"	3-49/64"	-	-	4-Barrel	3-SPD., 4-SPD., TH
Turbo-Jet 427-8 cyl.	427	10.25	4-1/4"	3-49/64"	-	-	4-Barrel	3-SPD., 4-SPD., PG
Turbo-Jet 427-8 cyl.	427	10.25	4-1/4"	3-49/64"	-	-	3 x 2 Barrel	4-SPD., PG
Turbo-Jet 427-8 cyl.	427	11.0	4-1/4"	3-49/64"	-	-	3 x 2 Barrel (Mech. Lifters)	4-SPD.

MICROFICHE INDEX  
GROUPS 6.000 THRU 8.000  
FICHE 4 OF 6

GROUP DESCRIPTION	STARTING GRID LOCATION	
	PARTS	ILLUSTRATIONS
- INTRODUCTION .....	A-6	H-2
- GENERAL INFORMATION .....	A-2	H-2
- ALPHABETICAL INDEX .....	C-11	N.A.
- INDEX FOR ADDITIONAL INFORMATION .....	A-5	N.A.
6.000 FRONT SUSPENSION - STEERING .....	E-2	H-6
7.000 FRAME - SPRINGS - SHOCKS - BUMPERS .....	F-2	J-2
8.000 FRONT END SHEET METAL - HEATER .....	G-5	L-2
- OUT OF FICHE CALLS .....	N.A.	M-11

**B-1**

## CORVETTE BASIC ENGINE DATA &amp; POWER TEAMS (Cont.)

1968

Engine	Cu. In. Displ.	Comp. Ratio	Bore	Stroke	Gross H.P.	Net H.P.	Carburetor	Transmission
Turbo-Fire 327-8 cyl.	327	10.0	4"	3-1/4"	300 @ 5000 RPM	-	4-Barrel	3-SPD., 4-SPD., TH
Turbo-Fire 327-8 cyl.	327	11.0	4"	3-1/4"	350 @ 5800 RPM	-	4-Barrel	4-SPD.
Turbo-Jet 427-8 cyl.	427	10.25	4-1/4"	3-49/64"	385 @ 5200 RPM	-	4-Barrel	3-SPD., 4-SPD., TH
Turbo-Jet 427-8 cyl.	427	10.25	4-1/4"	3-49/64"	400 @ 5400 RPM	-	3 x 2 Barrel	4-SPD., TH
Turbo-Jet 427-8 cyl.	427	11.0	4-1/4"	3-49/64"	435 @ 5800 RPM	-	3 x 2 Barrel (Mech Lifters)	4-SPD.

1969

Turbo-Fire 350-8 cyl.	350	10.25	4.0"	3-31/64"	300 @ 4800 RPM	-	4-Barrel	3-SPD., 4-SPD., PG T.H.
Turbo-Fire 350-8 cyl.	350	11.0	4.0"	3-31/64"	350 @ 5600 RPM	-	4-Barrel	4-SPD.
Turbo-Jet 427-8 cyl.	427	10.25	4-1/4"	3-49/64"	390 @ 5400 RPM	-	4-Barrel	3-SPD., 4-SPD., TH400
Turbo-Jet 427-8 cyl.	427	10.25	4-1/4"	3-49/64"	400 @ 54 RPM	-	3 x 2 Barrel	4-SPD., TH400
Turbo-Jet 427-8 cyl.	427	12.5	4-1/4"	3-49/64"	430 @ 5200 RPM	-	4-Barrel	4-SPD., TH400
Turbo-Jet 427-8 cyl.	427	11.0	4-1/4"	3-49/64"	435 @ 5800 RPM	-	3 x 2 Barrel	4-SPD., TH400

1970

Engine	Cu. In. Displ.	Comp. Ratio	Bore	Stroke	Gross H.P.	Carburetor	Transmission
Turbo-Fire 350-V-8	350	10.25	4.0"	3-31/64"	300 @ 4800 RPM	4-Barrel	3-SPD., 4-SPD., T.H.
Turbo-Fire 350-V-8	350	11.00	4.0"	3-31/64"	350 @ 5600 RPM	4-Barrel	4-SPD., 4-SPD. Close Ratio, T.H.
Turbo-Fire 350-V-8	350	11.00	4.0"	3-31/64"	370 @ 6000 RPM	4-Barrel	4-SPD., H.D. 4-SPD. 4-SPD., Close Ratio
Turbo-Jet 454-V-8	454	10.25	4.0"	4.0"	390 @ 4800 RPM	4-Barrel	4-SPD., 4-SPD., Close Ratio, T.H. 400
Turbo-Jet 454-V-8	454	12.25	4-1/4"	4.0"	465 @ 5200 RPM	4-Barrel	H.D. 4-SPD.

1971

Turbo-Fire 350-V-8	350	8.5:1	4.0"	3-31/64"	270 @ 4800 RPM	4-Barrel	4-SPD., T.H.
Turbo-Fire 350-V-8	350	9:1	4.0"	3-31/64"	330 @ 5600 RPM	4-Barrel	4-SPD., H.D. 4-SPD. 4-SPD., Close Ratio
Turbo-Jet 454-V-8	454	8.5:1	4-1/4"	4.0"	365 @ 4800 RPM	4-Barrel	4-SPD. 4-SPD., Close Ratio, T.H. 400
Turbo-Jet 454-V-8	454	9:1	4-1/4"	4.0"	425 @ 5600 RPM	4-Barrel	H.D. 4-SPD., T.H. 400

CORVETTE BASIC ENGINE DATA & POWER TEAMS (Cont.)

1972-74

Engine	Cu. In. Disp.	Comp. Ratio	Bore	Stroke	Carburetor	Transmission
Turbo-Fire 350-V-8	350	8.5:1	4.0"	3-31/64"	4-Barrel	4-Spd., T.H. 400
Turbo-Fire 350-V-8	350	9:1	4.0"	3-31/64"	4-Barrel	4-Spd., 4-Spd. Close Ratio H.D. 4-Spd.
Turbo-Jet 454-V-8	454	8.25:1	4-1/4"	4.0"	4-Barrel	4-Spd., 4-Spd. Close Ratio, T.H. 400

1975-77

Engine	Cu. In. Disp.	Comp. Ratio	Bore	Stroke	Carburetor	Transmission
Turbo-Fire 350 V-8	350	8.5:1	4.0"	3-31/64"	4-Barrel	4-Spd., T.H. 400 T.H. 350
Turbo-Fire 350 V-8	350	9.0:1	4.0"	3-31/64"	4-Barrel	4-Spd., 4-Spd., Close Ratio T.H. 400

1978-79

Engine	Cu. In. Disp.	Comp. Ratio	Bore	Stroke	Carburetor	Transmission
Turbo Fire 350 V-8	350	8.5:1	4.0"	3-31/64"	4-Barrel	4-Spd., T.H. 350
Turbo Fire 350 V-8	350	9.0:1	4.0"	3-31/64"	4-Barrel	4-Spd. Close Ratio, T.H. 350

1980

Engine	Cu. In. Disp.	Comp. Ratio	Bore	Stroke	Carburetor	Transmission
*305 V-8	305	8.5:1	3.736	3.480	4-Barrel	M33 Auto.
Turbo-Fire 350 V-8	350	9.0:1	4.0"	3-31/64"	4-Barrel	4-Spd. (2.88 Low)

\*California

1981

Engine	Cu. In. Disp.	Comp. Ratio	Bore	Stroke	Carburetor	Transmission
Turbo-Fire 350 V-8	350	9.0:1	4.0"	3-31/64"	4-Barrel	4-Spd. (2.88 Low) (M18)

1982

Engine	Cu. In. Disp.	Comp. Ratio	Bore	Stroke	Carburetor	Transmission
Turbo-Fire 350 V-8	350	9.0:1	4.0"	3-31/64"	4-Barrel	4-Spd. A.T. (MD8)

# CORVETTE REAR AXLE IDENTIFICATION

V18

Axle Identification is stamped on differential carrier along with date of manufacture.

Type	Plant Identification	Type	Plant Identification
<b>1955-58</b>		3-Speed or 4-Speed w/Metallic Brakes (3.70 ratio) . . . . .	FJ
3-Speed . . . . .	AH	3-Speed or 4-Speed w/Positraction and Metallic Brakes (3.70 ratio) . . . . .	FK
Powerglide . . . . .	AE	3-Speed or 4-Speed w/Positraction and Metallic Brakes (4.11 ratio) . . . . .	FL
3-Speed w/3.27 ratio . . . . .	AD	3-Speed or 4-Speed w/Positraction and Metallic Brakes (4.56 ratio) . . . . .	FM
3-Speed w/4.11 ratio . . . . .	AJ		
3-Speed w/Positraction (3.70 ratio) . . . . .	AN	<b>1961</b>	
3-Speed w/Positraction (4.11 ratio) . . . . .	AP	3-Speed (3.36 ratio) . . . . .	AC
3-Speed w/Positraction (4.56 ratio) . . . . .	AQ	Powerglide (3.55 ratio) . . . . .	AE
Heavy Duty Brake & Suspension w/Positraction (3.70 ratio) . . . . .	AS	4-Speed (3.70 Ratio) . . . . .	AH
Heavy Duty Brake & Suspension w/Positraction (4.11 ratio) . . . . .	AT	Positraction (3.70 ratio) . . . . .	AN
Heavy Duty Brake & Suspension w/Positraction (4.56 ratio) . . . . .	AU	Positraction (4.11 ratio) . . . . .	AP
		Positraction (4.56 ratio) . . . . .	AQ
<b>1959</b>		Positraction (3.36 ratio) . . . . .	AF
3-Speed or 4-Speed . . . . .	AH	Positraction w/H.D. Brake/Susp. (3.70 ratio) . . . . .	AS
Powerglide . . . . .	AE	Positraction w/H.D. Brake/Susp. (4.11 ratio) . . . . .	AT
3 or 4 Speed w/Positraction (3.70 ratio) . . . . .	AN	Positraction w/H.D. Brake/Susp. (4.56 ratio) . . . . .	AU
3 or 4 Speed w/Positraction (4.11 ratio) . . . . .	AP	Metallic Brakes (3.70 ratio) . . . . .	FJ
3 or 4 Speed w/Positraction (4.56 ratio) . . . . .	AQ	Positraction w/Metallic Brakes (3.70 ratio) . . . . .	FK
3 or 4 Speed w/H.D. Brake/Susp. and Positraction (3.70 ratio) . . . . .	AS	Positraction w/Metallic Brakes (4.11 ratio) . . . . .	FL
3 or 4 Speed w/H.D. Brake/Susp. and Positraction (4.11 ratio) . . . . .	AT	Positraction w/Metallic Brakes (4.56 ratio) . . . . .	FM
3 or 4 Speed w/H.D. Brake/Susp. and Positraction (4.56 ratio) . . . . .	AV		
3 or 4 Speed w/Metallic Brakes . . . . .	FJ	<b>1962</b>	
3 or 4 Speed w/Positraction and Metallic Brakes (3.70 ratio) . . . . .	FK	3-Speed (3.36 ratio) . . . . .	CA
3 or 4 Speed w/Positraction and Metallic Brakes (4.11 ratio) . . . . .	FL	Positraction (3.36 ratio) . . . . .	CB
3 or 4 Speed w/Positraction and Metallic Brakes (4.56 ratio) . . . . .	FM	Positraction (3.55 ratio) . . . . .	CC
		Positraction (3.70 ratio) . . . . .	CD
		Positraction (4.11 ratio) . . . . .	CE
		Positraction (4.56 ratio) . . . . .	CF
		4-Speed . . . . .	CG
		w/Metallic Brakes (3.36 ratio) . . . . .	CH
		w/Metallic Brakes (3.55 ratio) . . . . .	CJ
		Positraction w/Metallic Brakes (3.36 ratio) . . . . .	CK
		Positraction w/Metallic Brakes (3.55 ratio) . . . . .	CL
		Positraction w/Metallic Brakes (3.70 ratio) . . . . .	CM
		Positraction w/Metallic Brakes (4.11 ratio) . . . . .	CN
		Positraction w/Metallic Brakes (4.56 ratio) . . . . .	CP
		Positraction w/H.D. Brake/Susp. . . . .	CQ
<b>1960</b>			
3-Speed or 4-Speed (3.70 ratio) . . . . .	AH		
Powerglide (3.55 ratio) . . . . .	AE		
Positraction (3.70 ratio) . . . . .	AN		
Positraction (4.11 ratio) . . . . .	AP		
Positraction (4.56 ratio) . . . . .	AQ		
3-Speed or 4-Speed w/H.D. Brake/Susp. and Positraction (3.70 ratio) . . . . .	AS		
3-Speed or 4-Speed w/H.D. Brake/Susp. and Positraction (4.11 ratio) . . . . .	AT		
3-Speed or 4-Speed w/H.D. Brake/Susp. and Positraction (4.56 ratio) . . . . .	AU		



**CORVETTE REAR AXLE IDENTIFICATION (Cont.)**

V19

Type	Plant Identification	Type	Plant Identification
<b>1963</b>		<b>1968</b>	
3-Speed (3.36 ratio)	CA	Positraction (4.11 ratio)	AP
Positraction (3.08 ratio)	CJ	4-Speed (3.70 ratio)	AS
Positraction (3.36 ratio)	CB	Positraction (3.08 ratio) "427"	AT
Positraction (3.55 ratio)	CC	Positraction (3.36 ratio) "427"	AU
Positraction (3.70 ratio)	CD	Positraction (3.55 ratio) "427"	AZ
Positraction (4.11 ratio)	CE	Positraction (3.70 ratio) "427"	FA
Positraction (4.56 ratio)	CF	Positraction (4.11 ratio) "427"	FB
4-Speed (3.08 ratio)	CZ	Positraction (4.56 ratio)	FC
4-Speed (3.70 ratio)	CX		
<b>1964</b>		<b>1969</b>	
3-Speed (3.36 ratio)	CA	(3.36 ratio)	AK
Positraction (3.08 ratio)	CJ	Positraction (3.08 Ratio)	AL
Positraction (3.36 ratio)	CB	Positraction (3.36 ratio)	AM
Positraction (3.55 ratio)	CC	Positraction (3.55 ratio)	AN
Positraction (3.70 ratio)	CD	Positraction (3.70 ratio)	AO
Positraction (4.11 ratio)	CE	Positraction (4.11 ratio)	AP
Positraction (4.56 ratio)	CF	(3.70 ratio)	AS
4-Spd. (3.08 ratio)	CZ	Positraction (3.08 ratio) (H.D.)	AT
4-Speed (3.70 ratio)	CX	Positraction (3.36 ratio) (H.D.)	AU
		Positraction (3.08 ratio)	AV
		Positraction (3.08 ratio) (H.D.)	AW
<b>1965</b>		<b>1969</b>	
(3.36 ratio)	AK	(3.36 ratio)	AK
Positraction (3.08 ratio)	AL	Positraction (3.08 ratio)	AL
Positraction (3.36 ratio)	AM	Positraction (3.36 ratio)	AM
Positraction (3.55 ratio)	AN	Positraction (3.55 ratio)	AN
Positraction (3.70 ratio)	AO	Positraction (3.70 ratio)	AO
Positraction (4.11 ratio)	AP	Positraction (4.11 ratio)	AP
Positraction (4.56 ratio)	AQ	(3.70 ratio)	AS
(3.08 ratio)	AR	Positraction (3.08 ratio) (H.D.)	AT
4-Speed (3.70 ratio)	AS	Positraction (3.36 ratio) (H.D.)	AU
Positraction (3.08 ratio) "396"	AT	Positraction (3.08 ratio)	AV
Positraction (3.36 ratio) "396"	AU	Positraction (3.08 ratio) (H.D.)	AW
Positraction (3.55 ratio) "396"	AZ	Positraction (2.73 ratio) (H.D.)	AY
Positraction (3.70 ratio)	FA	Positraction (3.55 ratio) (H.D.)	AZ
Positraction (4.11 ratio) "396"	FB	Positraction (3.70 ratio) (H.D.)	FA
Positraction (4.56 ratio) "396"	FC	Positraction (4.11 ratio) (H.D.)	FB
		Positraction (4.56 ratio)	FC
<b>1966</b>		<b>1970</b>	
(3.36 ratio)	AK	(3.36 ratio)	CAK
Positraction (3.08 ratio)	AL	Positraction (3.08 ratio)	CAL
Positraction (3.36 ratio)	AM	Positraction (3.36 ratio)	CAM
Positraction (3.55 ratio)	AN	Positraction (3.55 ratio)	CAN
Positraction (3.70 ratio)	AO	Positraction (3.70 ratio) 350 H/Per.,	
Positraction (4.11 ratio)	AP	4-Speed Closed Ratio	CAO
Positraction (3.08 ratio)	AR	Positraction (4.11 ratio)	CAP
4-Speed (3.70 ratio)	AS	Positraction (3.70 ratio) 350 H/Per.,	
Positraction (3.08 ratio) "396"	AT	4-Speed Closed Ratio	CAS
Positraction (3.36 ratio) "396"	AU	Positraction (3.08 ratio)	CAT
Positraction (3.55 ratio) "396"	AZ	Positraction (3.36 ratio)	CAU
Positraction (3.70 ratio) "396"	FA	Positraction (3.08 ratio)	CAV
Positraction (4.11 ratio) "396"	FB	Positraction (3.08 ratio) 4-Speed Automatic	CAW
Positraction (4.56 ratio) "396"	FC	Positraction (2.73 ratio)	CAY
		Positraction (3.36 ratio) 4-Speed Automatic	CAX
		Positraction (3.55 ratio)	CAZ
		Positraction (3.70 ratio)	CFA
		Positraction (4.11 ratio)	CFB
		Positraction (4.56 ratio)	CFC
		Positraction (3.36 ratio)	CLR

NOTE: The four digit number following the type designation will designate the calendar month and data produced.  
 NOTE: Plant designation is to be stamped immediately following the production date. "B" Buffalo Plant, "G" Gear and Axle Plant, and "W" Warren Plant.

**CORVETTE REAR AXLE IDENTIFICATION (Cont.)**

**V20**

Type	Plant Identification	Type	Plant Identification
<b>1971</b>			
Positraction (3.55 ratio) .....	AA	Positraction (3.08 ratio) .....	AW
Positraction (3.70 ratio) .....	AB	Positraction (3.36 ratio) .....	AX
Positraction (4.11 ratio) .....	AC	Positraction (3.36 ratio) .....	LR
Positraction (4.56 ratio) .....	AD		

<b>1972-75</b>			
Positraction (3.36 ratio) .....	AX	Positraction (3.55 ratio) .....	AA
Positraction (3.36 ratio) .....	LR	Positraction (3.08 ratio) .....	AW
Positraction (4.11 ratio) .....	AC	Positraction (2.73 ratio) .....	AV
Positraction (3.70 ratio) .....	AB		

<b>1976-77</b>			
Positraction (3.08 ratio) .....	OA	Positraction (3.55 ratio) .....	OB
Positraction (3.36 ratio) .....	LR-OD	Positraction (3.70 ratio) .....	OC

<b>1978</b>			
Positraction (3.08 ratio) .....	OK	Positraction (3.55 ratio) .....	OH
Positraction (3.36 ratio) .....	OM	Positraction (3.70 ratio) .....	OJ

<b>1979</b>			
Positraction (3.36 ratio) .....	OM	Positraction (3.70 ratio) .....	OJ
Positraction (3.55 ratio) .....	OH		

<b>1980</b>	
Positraction (3.07 Ratio) .....	(DANA)

<b>1981</b>			
Positraction (2.87 Ratio) w/A.T. ....	OJ	Positraction (2.72 Ratio) w/M.T. ....	OK

<b>1982</b>	
Positraction (2.87 Ratio) .....	(Dana)

1976 CORVETTE TRIM CHART			
SEAT TRIMS	LEATHER	INTERIOR TRIMS	SEAT RPO
Smoke Gray	152	Smoke Gray 15I	A51
Black	192	Black 19I	A51
Dark Bluegreen	322	Dark Bluegreen 32I	A51
Light Buckskin and Saddle*	642	Light Buckskin 64I and Saddle*	A51
Dark Brown	692	Dark Brown 69I	A51
Dark Firethorn	712	Dark Firethorn 71I	A51

\*Custom Interior Not Available

1977 CORVETTE TRIM CHART				
SEAT TRIMS	CLOTH	LEATHER	INTERIOR TRIMS	SEAT RPO
Smoke Gray	15C	152	Smoke Gray 15I	A51
Black	19C	192	Black 19I	A51
Dark Blue	27C	272	Dark Blue 27I	A51
Light Buckskin	64C	642	Light Buckskin 64I	A51
Dark Brown	69C	692	Dark Brown 69I	A51
Dark Firethorn	72C	722	Dark Firethorn 72I	A51

1978 CORVETTE TRIM CHART				
SEAT TRIMS	CLOTH	LEATHER	INTERIOR TRIMS	SEAT RPO
Oyster White	12C	122	Oyster White 12I	AR7
Black	19C	192	Black 19I	AR7
Midnight Blue	29C	292	Midnight Blue 29I	AR7
Doeskin	59C	592	Doeskin 59I	AR7
Dark Brown	69C	692	Dark Brown 69I	AR7
Medium Red	72C	722	Medium Red 72I	AR7
Saffron	76C	762	Saffron 76I	AR7
Silver Metallic and Smoke Gray Metallic*	15C	152	Silver Metallic and 15I Smoke Gray Metallic	A51

\*Available with RPO Z78 Only..

1979 CORVETTE TRIM CHART				
SEAT TRIMS	CLOTH	LEATHER	INTERIOR TRIMS	SEAT RPO
Oyster White	12C	122	Oyster White 12I	A51
Black		192	Black 19I	A51
Midnight Blue	29C	292	Midnight Blue 29I	A51
Dark Green	49C	492	Dark Green 49I	A51
Doeskin	59C	592	Doeskin 59I	A51
Medium Red		722	Medium Red 72I	A51

1980 CORVETTE TRIM CHART				
SEAT TRIMS	CLOTH	LEATHER	INTERIOR TRIMS	SEAT RPO
Oyster White	12C	122	Oyster White 12I	A51
Black		192	Black 19I	A51
Midnight Blue	29C	292	Midnight Blue 29I	A51
Dark Green		492	Dark Green 49I	A51
Doeskin	59C	592	Doeskin 59I	A51
Red		722	Red 72I	A51
Dark Claret	79C	792	Dark Claret	A51

1981 CORVETTE TRIM CHART				
SEAT TRIMS	CLOTH	LEATHER	INTERIOR TRIM	SEAT RPO
Black	19C	192	Black	A51
Midnight Blue	29C	292	Midnight Blue	A51
Medium Doeskin	64C	642	Medium Doeskin	A51
Medium Red	—	752	Medium Red	A51
Medium Cinnabar	67C	672	Medium Cinnabar	A51
Silver	—	152		

1982 CORVETTE TRIM CHART				
SEAT TRIMS	CLOTH	LEATHER	INTERIOR TRIMS	SEAT RPO
Silver Gray		132	Silver Gray	A51
Charcoal		182	Charcoal	A51
Dark Red	74C	742	Dark Red	A51
Camel	64C	642	Camel	A51
Dark Blue	22C	222	Dark Blue	A51
Silver Green Metallic		402	Silver Green Metallic	A51
Silver Beige Metallic		592	Silver Beige Metallic	A51

### 1963 CORVETTE PAINT COLORS

R.P.O. No.	PASSENGER CAR EXTERIORS-ACRYLIC			PASSENGER CAR WHEELS-ENAMEL	
	Color	Lucite Stock No.	Rinshed-Mason Stock No.	Ditzler Stock No.	Color†
916	Daytona Blue	4395-L	A-1539	DDL-12696	Daytona Blue
923	Riverside Red	2931-L	A-1138	DDL-70961	Riverside Red
941	Sebring Silver	867-96417		DDL-32312	Sebring Silver

Note: The above surfaces finished in baked enamel. Do not apply acrylic lacquer over the enamel color coat.

†Note: Ditzler color same as body color with DOE prefix.

### 1964 CORVETTE PAINT COLORS

R.P.O. No.	Color	Lucite Stock No.	Rinshed-Mason Stock No.	Ditzler Stock No.	Color
900	Tuxedo Black	88-L	A-946	DDL-9300	Tuxedo Black
912	Silver Blue	4250-L	A-1481	DDL-12546	Silver Blue
916	Daytona Blue	4395-L	A-1539	DDL-12696	Daytona Blue
923	Riverside Red	2931-LH	A-1138R	DDL-70961	Riverside Red
932	Saddle Tan	4392-L	A-1537	DDL-22269	Saddle Tan
936	Ermine White	4024-L	A-1199	DDL-8259	Ermine White
940	Satin Silver	4247-L	A-1477	DDL-32173	Satin Silver

### 1965 CORVETTE PAINT COLORS

Chev. Code	Color	Lucite Stock No.	Rinshed-Mason Stock No.	Ditzler Stock No.
A	Tuxedo Black	88-L	A-946	DDL-9300
C	Ermine White	4024-L	A-1199	DDL-8259
FF	Nassau Blue	4690-L	A-1747	DDL-3364
GG	Glen Green	4691-L	A-1745	DDL-3366
MM	Milano Maroon	4689-LM	A-1746M	DDL-3365
OO	Silver Pearl	4621-L	A-1708	DDL-3314
UU	Rally Red	4688-H	A-1744	DDL-3395
XX	Goldwood Yellow	4530-LH	A-1612	DDL-3231
Y	Crocus Yellow	4620-L	A-1715	DDL-3313

### 1966 CORVETTE PAINT COLORS

Chev. Code	Color	Lucite Stock No.	Rinshed-Mason Stock No.	Ditzler Stock No.
900	Tuxedo Black	88-L	A-946	DDL-9300
972	Ermine White	4024-L	A-1199	DDL-8259
974	Rally Red	4688-LH	A-1744R	DDL-71491
976	Nassau Blue	4690-L	A-1747	DDL-13057
978	Laguna Blue	4710-L	A-1826	DDL-13188
980	Trophy Blue	4712-L	A-1825	DDL-13199
982	Mosport Green	4713-L	A-1827	DDL-43535
984	Sunfire Yellow	4711-L	A-1828	DDL-81540
986	Silver Pearl	4621-L	A-1708	DDL-32449
988	Milano Maroon	4689-LM	A-1746M	DDL-50706

### 1967 CORVETTE PAINT COLORS

Chev. Code	Color	Lucite Stock No.	Rinshed-Mason Stock No.	Ditzler Stock No.
900	Tuxedo Black	88	A-946	9300
972	Ermine White	4024-L	A-1199	8259
976	Rally Red	4688-LH	A-1744R	71491
977	Marini Blue	4850-L	A-1920	13364
977	Lynndale Blue	4833-L	A-1912	13348
980	Eikhart Blue	4834-L	A-1911	13347
983	Goldwood Green	4835-L	A-1913	43652
984	Sunfire Yellow	4711-L	A-1828	81540
986	Silver Pearl	4621-L	A-1708	32449
988	Marlboro Maroon	4836-LM	A-1914F	71584

### 1968 CORVETTE PAINT COLORS

Chev. Code	Color	Lucite Stock No.	Rinshed-Mason Stock No.	Ditzler Stock No.
900	Tuxedo Black	88	A-946	9300
972	Polar White	4714-L	A-2005	8631
974	Rally Red	4688-LH	A-1744R	71491
976	LeMans Blue	4908-L	A-2007	13549
978	International Blue	4909-L	A-2008	13550
983	British Green	4949-L	A-2011	43795
984	Safari Yellow	4906-L	A-2009	81621
986	Silverstone Silver	4907-L	A-2000	8596
988	Cordovan Maroon	4915-LH	A-2006M	50775
992	Corvette Bronze	4910-LH	A-2010	22969

### 1969 CORVETTE PAINT COLORS

Chev. Code	Color	Lucite Stock No.	Rinshed-Mason Stock No.	Ditzler Stock No.
900	Tuxedo Black	88-L	A-946	9300
983	Fathom Green	5013-L	A-2102	2079
988	Burgundy	5063-LH	A-2107M	50700
986	Cortez Silver	5032-L	A-2108	2059
976	LeMans Blue	5030-L	A-2109	2083
990	Hugger Orange	5021-LM	A-2111R	2084
984	Daytona Yellow	5026-LH	A-2119	2094
972	Can-Am White	5050-L	A-1802	8631
974	Monza Red	5027-LH	A-2120R	2089
980	Riverside Gold	5029-L	A-2122	2092

### 1970 CORVETTE PAINT COLORS

Chev. Code	Color	Lucite Stock No.	Rinshed-Mason Stock No.	Ditzler Stock No.
15	Laguna Gray	5134-L	A-2258	2198
27	Bridgelyampton Blue	5132-L	A-2263	2199
44	Donnybrook Green	5133-L	A-2267D	2200
51	Daytona Yellow	5026-LH	A-2119	2094
62	Ontario Orange	5128-LM	A-2274G	2182
72	Monza Red	5027-LH	A-2120R	2089
77	Marlboro Maroon	5131-LH	A-2280M	71584

### 1971 CORVETTE PAINT COLORS

Chev. Code	Color	Lucite Stock No.	Rinshed-Mason Stock No.	Ditzler Stock No.
972	Classic White	5040L	A-1802	8631
905	Nevada Silver	5276L	A-2438	2327
976	Mulsanna Blue	5327L	A-2262	2213
979	Bridgelyampton Blue	5132L	A-2263	2199
983	Brands Hatch Green	5288L	A-2447	2336
912	Sunflower	5283LH	A-2422	2338
973	Mille Miglia Red	5291LM	A-2460R	2349
989	War Bonnet Yellow	5292LM	A-2464LF	2351
987	Ontario Orange	5293LM	A-2469F	2357
988	Steel Cities Gray Firemist	5294L	A-2470D	2358

### 1972 CORVETTE PAINT COLORS

Chev. Code	Color	Lucite Stock No.	Rinshed-Mason Stock No.	Ditzler Stock No.
972	Classic White	5040L	A-1802	8631
924	Pewter Silver	5426L	A-2541	2629
945	Bryar Blue	5461L	A-2547	2434
979	Targa Blue	5460L	A-2544	2432
946	Elkhart Green	5462L	A-2551	2438
912	Sunflower	5283L	A-2422	2338
973	Mille Miglia Red	5291L	A-2460R	2349
989	War Bonnet Yellow	5292L	A-2464F	2357
987	Ontario Orange	5293L	A-2469F	2357
988	Steel Cities Gray Firemist	5294L	A-2470D	2358

### 1973 CORVETTE PAINT COLORS

Corvette Paint Code	Color Name	Fisher WA Number	Ditzler Code	Rinshed Mason	DuPont
910	Classic White	3465	8631	A 1802	5040L
914	Corvette Silver Metallic	4469	2519	A 2619	5563L
922	Corvette Medium Blue Metallic	4069	2213	A 2621	5564L
927	Corvette Dark Blue Metallic	4282	2432	A 2544	5565L
945	Corvette Blue-Green Metallic	4146	2336	A 2447	5288L
947	Elkhart Green	4284	2438	A 2551	5462L
952	Corvette Yellow	4466	2534	A 2635G	5566L
953	Corvette Yellow Metallic	4465	2535	A 2636F	5567L
976	Mille Miglia Red	4147	2349	A 2460R	5291L
980	Corvette Orange Metallic	4464	2548	A 2652F	5568L

### 1974 CORVETTE PAINT COLORS

Chev. Code	Color	Fisher WA Number	Ditzler	Rinshed Mason	DuPont
910	Classic White	3465	8631	A-1802	5040L
914	Silver Mist	4469	2519	A-2619	5563L
917	Gray	4547	2630	A-2698F	42817LH
922	Medium Blue	4069	2213	A-2621	5564L
948	Dark Green	4548	2644	A-2706F	42816L
956	Bright Yellow	3893	2094	A-2119	5026LH
968	Dark Brown	4328	2543	A-2647D	5483L
974	Medium Red	4533	2650	A-2718F	5477L
976	Mille Miglia	4147	2349	A-2460R	5291LM
980	Orange	4464	2548	A-2652F	5568LM

### 1975 CORVETTE PAINT COLORS

Chev. Code	Color	Fisher WA Number	Ditzler	Rinshed Mason	DuPont
10	White	3465	8631	A-1802	5040L
13	Silver	4322	2518	A-2618	43537L
22	Med. Blue	4672	2744	A-2797	43467L
27	Dk. Steel Blue	4671	2747	A-2800F	43466LH
42	Bright Green	4670	2749	A-2830G	43465LH
56	Bright Yellow	4669	2756	A-2809	43464LH
67	Med. Saddle	4668	2762	A-2815D	43463L
70	Flame Red	4667	2764	A-2817R	43462LM
74	Red Irid	4533	2658	A-2718F	42810LM
70	Red	4147	2349	A-2460R	5291LM

### 1976 CORVETTE PAINT COLORS

Chev. Code	Color	Fisher WA Number	Ditzler	Rinshed Mason	DuPont
10	White	3465	8631	A-1802	5040L
13	Silver	4322	2518	A-2618	43537L
22	Med. Blue	4672	2744	A-2797	43467L
56	Bright Yellow	4669	2756	A-2809	43464LH
70	Flame Red	4667	2764	A-2817R	43462LM
72	Med. Red	4460	2544	A-2648F	5489LM
69	Dk. Brown Met.	4518	2653	A-2716	42804L
37	Mahogany Met.	4759	2864	A-2931G	44131LM
64	Buckskin Met.	4785	2869	A-2938	44180L
33	Dk. Green Met.	4888	2877	A-2993	44171LH

### 1977 CORVETTE PAINT COLORS

COLOR NAME	BODY PLATE PAINT OR TRIM CODE		DITZLER	DUPONT	RINSHED-MASON
<b>EXTERIOR</b>	<b>CODE</b>				
Corvette Classic White	10		8631	5040-L	A-1802
Antique White	11		2058	5338-L	A-2080
Silver	13		2953	44716-L	A-8680
Medium Gray	16		2954	44723-L	A-8681
Black	19		9300	99-L	A-946
Light Blue	21		2815	44133-L	A-2929
Light Blue	22		2955	44171-L	A-8682
Corvette Light Blue	26		2957	44725-L	A-8683
Corvette Dark Blue	28		2958	44726-LH	A-8684G
Dark Blue	29		2959	44718-L	A-8685
Light Lime	32		2960	44771-LH	A-8686F
Firehorn	36		2811	43953-LM	A-2916F
Dark Aqua	38		2961	44714-L	A-8687
Medium Green	44		2964	44719-LH	A-8690
Dark Blue Green	48		2965	44720-LH	A-8691
Cream Gold	50		2884	44178-L	A-2996
Bright Yellow	51		2094	44139-LH	A-2936D
Corvette Yellow	52		2988	44822-LH	A-8693F
Light Buckskin	61		2869	44713-L	A-2999
Buckskin	63		2970	44722-L	A-8695D
Bright Orange	64		2968	44790-LH	A-8686R
Corvette Orange	66		2956	44776-LM	A-8775
Brown	69		2972	44721-LH	A-8698F
Red	72		2973	44770-LH	A-8699F
Light Red	75		2546	5485-LM	A-2650F
Orange	78		2976	44715-LM	A-8702F
Corvette Tan Buckskin	80		2978	44772-L	A-8704
Corvette Dark Red	83		2979	44727-LM	A-8705F
Medium Blue	85		2980	44724-L	A-8776
<b>INTERIOR COLORS</b>	<b>CORVETTE TRIM COMBINATIONS</b>		<b>GLOSS</b>		
White			SG	9625-L	A-4402
Black			SG	99-L	A-4401
			Flat	—	A-4400
Dark Blue			SG	43615-LH	A-8752
Medium Saddle			SG	10003-L	—
Dark Brown			SG	43620-LH	A-4728
Light Buckskin			SG	43963-LH	A-4720
Dark Gray			SG	9982-L	—
			Flat	10005-LM	A-4403
Light Gray			SG	43622-L	—
Light Smoke Gray			SG	43964-L	A-2901
Medium Red			SG	44267-LH	A-8760R
Dark Red			SG	44266-LH	—
			Flat	44268-LM	—



### 1978 CORVETTE PAINT COLORS

COLOR NAME		BODY PLATE PAINT OR TRIM CODE	DITZLER	DUPONT	RINISHED-MASON
<b>EXTERIOR</b>	<b>CODE</b>				
Dark Gray Poly	07	(Two-Tone)	2862	44146	A2928
Classic White	10		8631	5040	A1802
Silver Poly	13		2953	44716	A8680
Black	19		9300	99	A946
Frost Blue	26		3080	45208	A9373
Yellow	52		3072	45276	A9484F
Frost Beige	59		3087	45205	A9380
Red	72		2973	44770	A8699F
Mahogany Poly	82		2864	44131	A2931G
Dark Blue Poly	83		3074	45209	A9393
Brown Poly	89		2656	42804	A2716
<b>INTERIOR COLORS</b>		<b>TRIM COMBINATION NUMBER</b>			
Oyster White	12		90101		
Black	19		9387	99	
Midnight Blue	29		15173	45237	
Dark Brown	69		24104	43620	
Light Doekin	59		24536	45236	
Saffron	76		24537	45233	
Light Gray	16		33291	45225	
Medium Red	72		72246	44267	
<b>UPPER INSTR. PNL. COLOR</b>					
Black			9317		

### 1979 CORVETTE PAINT COLORS

Color Name	Code	Ditzler	Dupont	Rinished-Mason
Classic White	10	8631	5040	A1802
Silver Metallic	13	2953	44716	A8680
Black	19	9300	99	A946
Frost Blue	28	3080	45208	A9373
Yellow	52	3072	45276	A9484F
Dark Green Metallic	58		45834	A9808
Frost Beige	59	3087	45205	A9380
Hilton Brown Metallic	67	2656	42804	A2716
Medium Red	72	2973	44770	A8699F
Dark Blue Metallic	83	3074	45209	A9393

### 1980 CORVETTE PAINT COLORS

COLOR NAME	CODE	DITZLER	DUPONT	RINISHED-MASON
Classic White	10	8631	5040	A1802
Silver Metallic	13	2953	44716	A8680
Black	19	9300	99	A946
Dark Claret Metallic	76			
Yellow	52	3072	45276	A9484F
Dark Green Metallic	58		45834	A9808
Frost Beige	59	3087	45205	A9380
Hilton Brown Metallic	67	2656	42804	A2716
Medium Red	83	3074	45209	A9393
Dark Blue Metallic	28	3080	45208	A9373

### 1981 CORVETTE PAINT COLORS

COLOR NAME	CODE	DITZLER	DUPONT	FINISHED-MASON
White	10	*8631	5040	*1302
Silver Metallic	13	*2953	44716	*0660
Black	19	*9300	99	*A946
Brt. Blue Metallic	24	3340		12205G
Dark Blue Metallic	28	*3074	45209	*12206D
Yellow	52	*3236	B8054	*11434V
Frost Beige	59	*3087	45205	*9380
Red	75	3332	B8115	12229V
Maroon Metallic	79	3341	B8126	12232V
Charcoal Metallic	84	*3223	B8012	*11421

\* — Carry Over Color

### 1982 CORVETTE PAINT COLORS

COLOR NAME	CODE	DITZLER	DUPONT	FINISHED-MASON
White	10	8631	5040	---
Silver Met.	13	3402	B8262	12650D
Black	19	9300	99	A-946
Silver Blue Met.	24	3409	B8285	12657D
Dk. Blue Met.	26	3410	B8291	12658D
Brt. Blue Met.	31	3413	B8287	12660D
Charcoal Met.	39	3414	B8265	12661D
Silver Green Met.	40	3415	B8286	12662
Gold Met.	56	3426	B8288	12673G
Silver Beige Met.	59	3429	B8290	12700
Dk. Claret	99	3452	B8266	8763

## GM PRODUCTION OPTIONS

RPO	FY	LY	DIVISIONAL RPO DESCRIPTION	WDDGM RPO DESCRIPTION
AA3	82	84	GLASS,DEEP TINT	W/DEEP TINTD GLS(AA3)
AB1	84	84	WINDOW,RR QUARTER,W/ORNAMENTAL ILLUMINATION	W/RR QTR WDO(AB1)
AB3	84	84	SEATING ARRANGEMENT,SIX PASSENGER	W/AB3
AB5	82	84	LOCK,SI DR ELEC(KEY ACTIVATED)	W/ELEC DR LK(AB5)
AB6	82	84	WINDOW,RR INSERT	W/RR WDO INSERT(AB6)
AB7	76	81	WINDOW,LOUVERED QUARTER	W/LUV WDO(AB7)
AB7	84	84	WINDOW,HINGED TAILGATE	W/T/GATE WDO(AB7)
AB9	76	83	WINDOW,RR QTR FORMAL STYLE	W/FORMAL WDO(AB9)
AC1	76	84	ADJUSTER,6-WAY PWR,PASS ST	W/6-WAY(AC1)
AC2	76	84	GLASS,SLDG WDO,RT FRT DR	W/SLDG WDO GLS(AC2)
AC3	76	84	ADJUSTER,6-WAY PWR BKT,DRIVER ST	W/6-WAY(AC3)
AC6	76	81	ADJUSTER,6 WAY PWR BKT,PASS	W/6-WAY PASS(AC6)
AD2	76	81	PROP,HOLD OPEN,RR COMPT FLOOR	W/COMPT HOLD OPEN PROP(AD2)
AD3	76	84	GLASS,HGE RF WDO	W/HGE RF WDO GLS(AD3)
AD5	76	84	GLASS,SI WDO,RR SLDG	W/SLDG SI WDO GLS(AD5)
AD7	76	81	WINDOW,RR QTR TEARDROP,LESS LOUVERS	W/TEARDROP WDO LESS LUV(AD7)
ADB	76	84	CHECK,RR DR	W/RR DR CHK(ADB)
AD9	92	84	ADJUSTER,2-WAY PWR,DRIVER ST	W/2-WAY(AD9)
AE1	76	81	GLASS,RF PNL,REMOVABLE	W/REM RF GLS(AE1)
AE2	76	81	GLASS,RF PNL,REMOVABLE,W/MLDG & MAN GLS	W/REM RF GLS(AE2)
AF2	84	84	GLASS,FIXED SIDE-LH(UTILITY BODY)	W/AF2
AF3	84	84	GLASS,FIXED SIDE-RH(UTILITY BODY)	W/AF3
AF4	82	84	ADJUSTER,6-WAY MAN,DRIVER & PASS	W/6-WAY(AF4)
AF5	82	84	SEAT ASM,EASY ENTRY,PASS	W/AF5
AF6	84	84	SEAT ASM,FRONT BENCH,2 PASS	W/AF6
AF7	84	84	SEAT ASM,FRT BH,SPT BK,W/CTR A/RST,2 PASS	W/AF7
AF9	84	84	SEAT ASM,RECLINING BUCKET,PASS & DR	W/AF9
AG1	76	84	ADJUSTER,6-WAY PWR,DRIVER ST(60-40)(VAR 2)	W/6-WAY(AG1)
AG2	76	84	ADJUSTER,6-WAY PWR,PASS ST(60-40)(VAR 3)	W/6-WAY(AG2)
AG3	82	84	ADJUSTER,2 POS MEMORY	W/2 POS MEMORY(AG3)
AG6	82	84	ADJUSTER,2-WAY MAN,PASS ST	W/2-WAY(AG6)
AG7	76	81	ADJUSTER,6-WAY PWR,DRIVER 50-50	W/6-WAY(AG7)
AG8	82	83	ADJUSTER,2-WAY MAN,DRIVER ST	W/2-WAY(AG8)
AH4	82	83	SEAT ASM,EASY ENTRY,DRIVER	W/AH4
AH5	82	83	SEAT ASM,EASY ENTRY,PASS	W/AH5
AH6	82	84	GLASS,BK DR(COMMERCIAL BODY)	W/AH6
AH7	82	84	GLASS,FRT WDO(COMMERCIAL BODY)	W/AH7
AH8	82	84	GLASS,SI ACCESS LH DR(COMMERCIAL BODY)	W/AH8
AH9	82	84	GLASS,SI ACCESS RH DR(COMMERCIAL BODY)	W/AH9
AJ1	76	81	GLASS,ONE WAY	W/ONE WAY GLS(AJ1)
AJ1	82	84	GLASS,DEEP TINT	W/DEEP TINTD GLS(AJ1)
AJ2	82	84	SEAT ASM,JUMP	W/AJ2
AJ4	76	84	SEAT BELT GUIDE LOOP(EXPORT)	W/AJ4(EXPORT)
AJ8	76	84	SEAT ASM,FRT TRAVEL BED	W/AJ8
AJ9	76	84	SEAT ASM,CTR RR TRAVEL BED	W/AJ9
AK1	76	84	BELTS,FRT CTR,RR ST & FRT SHLDR(DLX)	W/DLX BELTS(AK1)
AL4	76	81	SEAT,RR BKT SWIVEL	W/AL4
AM3	84	84	SEAT ASM,FRT BENCH,FULL BK,W/CTR A/RST	W/AM3
AM4	84	84	SEAT ASM,FRT BENCH,SPL BK,W/O CTR A/RST	W/AM4
AM6	76	84	SEAT ASM,FRT SPLIT W/CTR ARM REST(60-40)	W/AM6
AM7	76	84	SEAT ASM,RR FLDG	W/AM7
AM8	76	81	SEAT ASM,RR FOLDING AUXILIARY	W/AM8
AM9	76	84	SEAT ASM,RR SPLIT BACK FOLD DOWN	W/AM9
AN1	76	81	SEAT ASM,BENCH FOLDING	W/AN1
AN5	76	84	SEAT ASM,FRT SPLIT,PASS RECL(40-40)	W/AN5
AN6	76	81	SEAT BACK,ADJ DRIVER SIDE	W/ADJ D/ST BK(AN6)
AN7	76	83	SEAT ASM,FRT BKT(SWIVEL)	W/AN7
AP7	76	84	PARTITION,SLDG(PLYWOOD)(UNION CITY BODY)	W/SLDG PART(AP7)
AQ3	76	84	SEAT ASM,CTR RR	W/AQ3
AQ4	76	84	SEAT ASM,RR	W/AQ4
AQ9	76	84	SEAT ASM,FRT BKT,PASS RECL	W/AQ9
AR3	76	81	AIR CUSHION RESTRAINT	W/AR3
AR4	76	81	RESTRAINT SYSTEM,SEAT BELT & SHLDR HARNESS	W/AR4
AR5	76	81	SEAT ASM,FRT BKT W/RECL	W/AR5
AR6	76	84	RESTRAINT SYSTEM,FRT ST(DIV 1-2-3-4 EXPORT)	W/AR6(EXPORT)
AR6	76	84	RESTRAINT SYSTEM,FRT ST(DIV 6)	W/AR6
AR7	76	81	SEAT ASM,BKT	W/AR7
AR9	76	84	SEAT ASM,FRT BKT RECL(EUROPEAN STYLE)	W/AR9
AS1	82	84	SEAT ASM,HIGH BACK BKT,DRIVER	W/AS1
AS2	82	84	SEAT ASM,HIGH BACK BKT,PASS	W/AS2
AS3	76	84	SEAT ASM,RR	W/AS3
AS5	84	84	SEAT ASM,FRT BUCKET DELUXE	W/AS5
AS7	76	84	SEAT ASM,FRT SPLIT (43-45)	W/AS7

## GM PRODUCTION OPTIONS

RPO	FY	LY	DIVISIONAL RPO DESCRIPTION	WDDGM RPO DESCRIPTION
AS8	76	84	BELTS W/RETR. FRT ST & SHLDR	W/AS8
AT5	76	84	SEAT ASM,CTR FLOG(SUBURBAN)	W/AT5
AT6	76	84	BACK,PASS MAN RECL ST	W/MAN RECL(AT6)
AT8	76	84	SEAT ASM,FRT SPLIT ADJ RECL(50-50)	W/AT8
AU2	76	84	LOCK,CARGO DR	W/CARGO DR LK(AU2)
AU3	76	84	LOCK,SI DR ELEC	W/ELEC DR LK(AU3)
AU4	76	84	LOCK,SI DR AUTO ELEC	W/ELEC DR LK(AU4)
AU5	76	83	LOCK,FRT ST BACK & DR,ELEC	W/ELEC ST & DR LK(AU5)
AU6	76	84	LOCK,TAILGATE REL,ELEC	W/ELEC T/GATE LK(AU6)
AV2	76	83	CAMPER HOLD DOWN EQUIPMENT	W/CAMPER HOLDN(AV2)
AV3	84	84	FASTENER,CARGO TIE DOWN	W/AV3
AV5	76	84	SEAT ASM,HIGH BACK BKT	W/AV5
AV7	76	84	SEAT ASM,FRT SPLIT,NON-RECL(50-50)	W/AV7
AV9	76	81	SEATING REQUIREMENTS,JAPAN(EXPORT)	W/AV9(EXPORT)
AW2	83	83	ADJUSTER,6-WAY MANUAL,DRIVER SIDE	W/6-WAY(AW2)
AW3	83	83	ADJUSTER,6-WAY MANUAL,PASSENGER SIDE	W/6-WAY(AW3)
AW4	76	84	LINK,SLDG RR SI DR EXTENDER	W/AW4
AW5	82	84	SEATING REQUIREMENTS,EXPORT RELOCATION	W/AW5(EXPORT)
AW9	82	84	SECURITY GROUP,QTR STOW & LUG COMPT	W/SECURITY GRP(AW9)
AX3	84	84	KEYLESS ENTRY SYSTEM	W/AX3
AX4	82	84	BELTS,ST & FRT SHLDR HARN(EXPORT)	W/AX4(EXPORT)
AX5	82	84	PARTITION,EXPANDED METAL,DRIVERS SI	W/AX5
AX6	82	84	PARTITION,EXPANDED METAL,W/RH SLDG DR	W/AX6
AX7	82	84	PARTITION,EXPANDED METAL,W/CTR SLDG DR	W/AX7
AX8	82	83	SEAT ASM,BKT PEDESTAL,W/ST BELTS,DRIVER	W/AX8
AX9	82	84	LATCH,RR CARGO DR	W/RR CARGO DR LAT(AX9)
AY9	82	84	ADJUSTER,6-WAY PWR,SPLIT ST	W/6-WAY(AY9)
A01	76	84	GLASS,TINTED(ALL WDOGS)	W/TNTD GLS(A01)
A02	76	84	GLASS,TINTED(W/S SHADED UPR)	W/TNTD W/S GLS(A02)
A07	76	84	GLASS,BODY	W/BODY GLS(A07)
A08	76	84	GLASS,BODY RH SI	W/RH BODY GLS(A08)
A12	76	84	GLASS,RR DR,FIXED	W/BK DR GLS(A12)
A13	76	84	GLASS,SI DR,FIXED	W/SI DR GLS(A13)
A17	82	84	GLASS,LH SWING OUT	W/SWING OUT GLS(A17)
A18	76	84	GLASS,DR SWING OUT	W/SWING OUT GLS(A18)
A19	76	84	GLASS,SI RR DR SWING OUT	W/SWING OUT GLS(A19)
A20	76	84	GLASS,RR QTR VENT SWING OUT	W/SWING OUT GLS(A20)
A26	76	84	UNITED KINGDOM & EUROPEAN GLAZING	W/A26(EXPORT)
A28	76	84	GLASS,RR WDO SLDG	W/SLDG RR WDO(A28)
A31	76	84	WINDOW,ELEC CONT	W/ELEC WDO(A31)
A32	76	84	WINDOW,ELEC OPERATED FRT DR	W/ELEC WDO(A32)
A33	76	84	WINDOW,ELEC CONT T/GATE	W/ELEC T/GATE WDO(A33)
A40	76	81	WINDOW,ELEC OPERATED RR VENT	W/ELEC RR VENT(A40)
A42	76	84	ADJUSTER,6-WAY PWR ST	W/6-WAY(A42)
A44	76	81	ADJUSTER,2-WAY MAN,BKT ST	W/2-WAY BKT(A44)
A51	76	84	SEAT ASM,FRT BKT	W/A51
A52	76	84	SEAT ASM,FRT BENCH	W/A52
A53	83	83	ADJUSTER,6-WAY MAN DRIVER & 2-WAY MAN PASS	W/6-WAY & 2 WAY(A53)
A57	76	84	SEAT ASM,AUX PASS	W/A57
A65	76	84	BACK,FRT ST W/CTR ARM REST,SPLIT ST	W/A65
A70	76	84	WINDOW,REM CONT RR VENT	W/REM CONT RR VENT(A70)
A75	76	84	CUSHION,W/BK SPR,H.D. FRT ST	W/H.D. FRT ST(A75)
A76	76	84	CUSHION,W/BK SPR,H.D. RR ST	W/H.D. RR ST(A76)
A77	76	81	AUTO SEAT BELT RESTR SYSTEM (3 POINT)	W/A77
A78	76	84	BACK,RECL/PASS ST & DRIVER ST MAN	W/MAN RECL(A78)
A79	76	84	BACK,MAN RECL,DRIVER ST	W/MAN RECL(A79)
A80	76	84	BACK,ELEC RECL,DRIVER ST	W/DR ELEC RECL(A80)
A81	76	84	BACK,ELEC RECL,PASS ST	W/PASS ELEC RECL(A81)
A90	76	84	LOCK,RR COMPT LID,REM CONT,ELEC REL	W/ELEC COMPT LID(A90)
A91	76	84	PULLDOWN,RR COMPT LID	W/DECK LID PULLDOWN(A91)
A93	76	84	LOCK,QTR STOW COMPT	W/STOW COMPT LK(A93)
A95	82	84	SEAT ASM,FRT BKT,HI-BK RECL,DRIVER & PASS	W/A95
A96	76	84	LOCK,LUG & SPA TIRE COMPT	W/LUG COMPT LK(A96)
A99	76	81	LOCK,I/P COMPT	W/G/BX LK(A99)
BA8	76	84	COMPARTMENT,FRT ST STOR	W/FRT ST STOR COMPT(BA8)
BB4	76	81	INTERIOR ORNAMENTATION,DR TR PNL MAP PKT	W/MAP PKT & REFL(BB4)
BB5	76	84	INTR ORNA,HEADLINER(TRUCK)	W/INTR ORNA(BB5)
BB8	76	84	MOLDING,DR TR	W/DR TR MLDG(BB8)
BC1	76	81	INTERIOR ORNAMENTATION,BRUSHED ALUMINUM	W/BRUSHED ALUM(BC1)
BC1	82	84	PANEL,INSTR(PARK AVE)	W/PK AVE I/P(BC1)
BC2	76	81	INTERIOR ORNAMENTATION,WDOGRN INST CLUSTER	W/WDOGRN I/P(BC2)
BC2	82	83	PANEL,INSTR(ELECTRA EST WAGON)	W/ELECTRA EST I/P(BC2)

## GM PRODUCTION OPTIONS

RPO	FY	LY	DIVISIONAL RPO DESCRIPTION	WDDGM RPO DESCRIPTION
BC3	76	84	PANEL, INSTR(DLX)	W/DLX I/P(BC3)
BC5	76	81	INTERIOR ORNAMENTATION, LOAD COMPT PNLS, CPTD	W/CPTD LOAD FLR(BC5)
BC8	84	84	INTERIOR ORNAMENTATION, DOOR POCKET(RH & LH)	W/DR PKT ORNA(BC8)
BD1	84	84	MOLDING, ROCKER PNL (DELETE)	(EXC RKR PNL MLDG)
BE1	84	84	INTERIOR ORNAMENTATION (EXPORT)	W/INT ORNA(BE1)(EXPORT)
BF2	76	84	CARPET, DLX	W/DLX CPT(BF2)
BF3	82	84	MATS, STEPWELL	W/BF3
BF4	84	84	CARPET, CUSTOM	W/CUST CPT(BF4)
BF9	76	81	INSULATOR & PAD, FLR MAT	W/BF9
BG3	82	83	FILLER, RR FLR PNL	W/BG3
BG7	76	81	CARPET, WHEELHOUSE	W/W/H CPT(BG7)
BG9	76	81	MAT, RUBBER, FRT & RR	W/RRR MAT(BG9)
BS1	76	84	INSULATION, ACOUSTICAL	W/INSL(BS1)
BS2	76	84	INSULATION, ACOUSTICAL (SPL)	W/SPL INSL(BS2)
BS4	84	84	INSULATOR, CAB BACK PANEL	W/CAB BK INSL(BS4)
BS6	84	84	DOOR SEAL, AUXILIARY	W/AUX DR SEAL(BS6)
BT1	76	81	POLICE CAR	W/POLICE(BT1)
BV1	76	81	MOLDING, SI WDO RVL, BRIGHT & PAINTED	W/WDO RVL MLDG(BV1)
BV2	76	84	MOLDING, COMPT LID	W/COMPT LID MLDG(BV2)
BV3	84	84	INTERIOR ORNAMENTATION, I/P (BLACK)	W/I/P ORNA(BV3)
BV6	84	84	CYLINDER, PAINT, D DOOR LOCK	W/BV6
BV7	84	84	APPLIQUE, PILLAR (DELETE)	(EXC PLR APLQ)
BV8	82	84	HANDLE, DR(DLX)	W/DLX DR HOL(BV8)
BV9	82	83	MOLDING, SI(DL)	W/DLX SI MLDG(BV9)
BW1	82	84	ORNAMENTATION, RR END EXTR	W/EXTR ORNA(BW1)
BW2	76	84	MOLDING, BODY SI(DLX)	W/BODY SI MLDG(BW2)
BW3	84	84	EXTERIOR ORNAMENTATION, ROOF WDO TR(PAINTED)	W/RF WDO EXTR ORNA(BW3)
BW5	76	81	EXTERIOR ORNAMENTATION, SIM ROLL BAR	W/ROLL BAR(BW5)
BW6	76	81	EXTERIOR ORNAMENTATION, BODY SI DECOR	W/BODY SI DECOR(BW6)
BW7	76	84	APPLIQUE, PLR	W/PLR APLQ(BW7)
BX1	76	84	ORNAMENT, FRT END SPL EXTR	W/SPORT PKG(BX1)
BX2	76	84	MOLDING, BODY SI LWR (WIDE)	W/BODY SI WIDE LWR(BX2)
BX3	76	84	ORNAMENTATION, WOODGRAIN EXTR	W/WDGRN(BX3)
BX4	76	84	MOLDING, BODY SI	W/BODY SI MLDG(BX4)
BX5	76	84	MOLDING, RF DRIP(PAINTED)	W/BX5
BX6	76	84	ORNAMENTATION, MOLDING & APPLIQUE EXTR	W/EXTR ORNA(BX6)
BX8	76	84	MOLDING, FRT FDR BODY SI(TAILGATE)	W/BX8
BX9	76	84	ORNAMENT, FRT END PNL & MLDG(HOOD)	W/EXTR ORNA(BX9)
BY1	76	84	EMBLEM, BODY	W/BODY EMB(BY1)
BY3	76	81	HEADLINER, HARDBOARD FOAM & PERFORATED VNL	W/CUST HDLNG(BY3)
BY4	84	84	ORNAMENTATION, I/P MONOGRAM(GRAND NATIONAL)	W/GRAND NATIONAL I/P ORNA(BY4)
BY8	76	84	ORNAMENT, FRT DECOR PLT EXTR	W/EXTR ORNA(BY8)
B1Q	76	81	LOCK, TAILGATE, PWR	W/ELEC T/GATE LK(B1Q)
B2Z	76	81	APPEARANCE PACKAGE	W/B2Z
B3D	76	84	SCHOOL BUS EQUIPMENT	W/B3D
B3J	84	84	DIESEL EQUIPMENT PKG	W/B3J
B3M	76	84	SCHOOL BUS EQUIPMENT, DLX	W/B3M
B4Q	84	84	STEERING COLUMN, TILT (DELETE)	(EXC TILT WHL)(EXPORT)
B4T	84	84	GLASS, EUROPEAN (DELETE)	(EXC EUROPEAN GLS)(EXPORT)
B4W	84	84	WINDOW, POWER OPERATED	W/B4W(EXPORT)
B4X	76	81	SPORT APPEARANCE PACKAGE	W/SPORT PKG(B4X)
B5Q	82	83	EMISSION SYSTEM, CALIF BACK-UP	W/B5Q
B5R	76	81	ALUMINUM MANIFOLD	W/ALUM MANIF(B5R)
B5T	82	83	EMISSION SYSTEM, BACK-UP	W/B5T
B5Y	82	84	CLUSTER, ELEK (BACK-UP SYSTEM)	W/B5Y
B7K	82	83	INJECTION, ELEK FUEL(2-PORT, W/O CONVR)	W/B7K
B7L	82	83	INJECTION, ELEK FUEL(8-PORT, W/CONVR)	W/B7L
B7M	82	83	INJECTION, ELEK FUEL(8-PORT, W/O CONVR)	W/B7M
B02	76	81	SPECIAL BODY, TAXI CAB	W/TAXI(B02)
B05	82	84	ARMORED VEHICLE MODIFICATIONS	W/B05
B07	76	81	SPECIAL BODY, POLICE CAR(VAR 2)	W/POLICE(B07)
B09	76	81	POLICE GROUP, FREEWAY ENFORCER	W/POLICE(B09)
B18	76	84	ORNAMENT, DLX INTR	W/B18
B19	76	84	ORNAMENTATION, CUSTOM INTERIOR	W/CUST INT ORNA(B19)
B20	76	84	ORNAMENT, LUX INTR	W/B20
B22	76	83	EMBLEM, DR INR PNL	W/B22
B23	84	84	SPOILER, RR WHL OPENING	W/RR WHL SPLR(B23)
B24	84	84	MOLDING, SI WDO RVL	W/WDO RVL MLDG(B24)
B25	82	84	TRIM, LUG COMPT(DLX)	W/DLX COMPT TR(B25)
B26	76	84	ORNAMENT, INTERIOR FRT DOOR HANDLE	W/B26
B28	76	81	MAT, FRT & RR FLR	W/B28
B29	82	84	ORNAMENT, INTERIOR RR DOOR HANDLE	W/B29
B30	76	84	CARPET, FLR & WHLHSE	W/B30

## GM PRODUCTION OPTIONS

RPO	FY	LY	DIVISIONAL RPO DESCRIPTION	WDDGM RPO DESCRIPTION
B32	76	84	MAT.FRT FLR	W/B32
B33	76	84	MAT.RR FLR	W/B33
B34	76	84	MATS.FRT FLR(CARPET INSERT)	W/B34
B35	76	84	MATS.RR FLR(CARPET INSERT)	W/B35
B36	76	84	MAT.LUG COMPT	W/B36
B37	76	84	MAT.FRT & RR	W/B37
B39	76	84	CARPET,LOAD FLR	W/CPT LOAD FLR(B39)
B42	76	83	MAT.LUG COMPT FLR CVR	W/COMPT FLR MAT(B42)
B44	76	81	CARPET,LOAD FLR,LOOSE	W/CPTD LOAD FLR(B44)
B46	76	84	TRIM,SPL ORDER EQUIPMENT	W/SPL TR(B46)
B48	76	82	TRIM,LUG COMPT(DLX)	W/DLX COMPT TR(B48)
B49	76	81	COVERING,FRT & RR FLR,DLX CARPET	W/FRT & RR FLR CPT(B49)
B51	76	84	MOLDING,RKR PNL(EXTRA WIDE)	W/WIDE MLDG(B51)
B53	76	84	MAT.FRT FLR(CARPET INSERT)(DLX)	W/B53
B54	82	84	MAT.RR FLR(CARPET INSERT)(DLX)	W/B54
B56	76	84	MOLDING,RKR PNL EXTRA WIDE(BLACK)(DLX)	W/WIDE MLDG(B56)
B57	76	84	TRIM,EXTR DLX	W/DLX EXTR TR(B57)
B65	76	83	COVERING,FLR & SI WALL-TRUNK COMPT	W/LUG COMPT LNG(B65)
B69	76	81	INSULATOR,ROOF	W/RF INSL(B69)
B71	76	84	MOLDING,WHL OPG(CUSTOM)	W/B71
B72	76	84	MOLDING,BELT REVEAL PAINTED	W/B72
B74	76	84	MOLDING,WHL OPG BLACK	W/WHL OPG MLDG(B74)
B75	76	84	LINING,LUG COMPT	W/LUG COMPT LNG(B75)
B77	76	84	MOLDING,W/S RVL	W/W/S RVL MLDG(B77)
B79	76	84	ORNAMENTATION,RR END EXTR	W/RR END ORNA(B79)
B80	76	84	MOLDING,RF DRIP	W/DRIP MLDG(B80)
B81	84	84	MOLDING,BODY SI (DELETE)	(EXC BODY SI MLDG)
B82	84	84	EMBLEM,BODY (DELETE)	(EXC BODY EMB)
B83	76	84	MOLDING,RKR PNL	W/RKR PNL MLDG(B83)
B84	76	84	MOLDING,BODY SI	W/BODY SI MLDG(B84)
B85	76	84	MOLDING,BODY SI(LT TRUCK)	W/BODY SI MLDG(B85)
B85	76	84	MOLDING,BELT RVL(PASS CAR)	W/BELT RVL(B85)
B86	76	81	MOLDING,BODY RR	W/SI QTR LWR MLDG(B86)
B88	76	84	MOLDING,BODY SI(CUSTOM)	W/BODY SI MLDG(B88)
B89	76	84	MOLDING,BK WOO RVL	W/BK WOO RVL MLDG(B89)
B90	76	84	MOLDING,SI WOO RVL	W/SI WOO RVL MLDG(B90)
B91	76	81	MOLDING,BODY SI UPR	W/BODY SI MLDG(B91)
B91	82	84	MOLDING,DR EDGE GUARD(SPL)	W/MLDG(B91)
B93	76	84	MOLDING,DR EDGE GUARD	W/MLDG(B93)
B94	76	84	EMBLEM,BODY(VAR 1)	W/BODY EMB(B94)
B95	76	81	LOUVER,BODY SI	W/BODY LUV(B95)
B96	76	84	MOLDING,WHL OPG	W/WHL OPG MLDG(B96)
B97	76	84	SPOILER,RR FDR	W/RR WHL SPLR(B97)
B98	76	81	MOLDING,SI TRIM,TRUCK	W/BODY SI MLDG(B98)
B99	84	84	MOLDING,WHL OPG (DELETE)	(EXC WHL OPG MLDG)
CA1	76	83	ROOF,STEEL SLDG SUN,ELEC	W/ELEC SUN RF(CA1)
CA2	76	84	COVERING,EXTR SOFT TR RF-DELETE	(EXC VNL RF)
CA9	76	83	ROOF,VINYL PADDED FULL TOP(HALO TYPE)	W/FULL VNL(CA9)
CB4	76	84	ROOF,VINYL PADDED,RR HALF(LANDAU)	W/RR VNL(CB4)
CB5	76	84	ROOF,VINYL PADDED,FULL TOP	W/FULL VNL(CB5)
CB6	76	81	ROOF,VINYL PADDED,W/HALO MLDG,FULL TOP	W/HALO TOP(CB6)
CB7	76	84	ROOF,VINYL PADDED,LANDAU-FRONT	W/FRT VNL(CB7)
CB8	76	81	TOP,REMOVABLE	W/REM TOP(CB8)
CC1	76	84	PANELS,GLS RF HATCH,REMOVABLE	W/HATCH RF(CC1)
CC2	76	81	ROOF,VINYL PADDED,REAR HALF	W/RR VNL(CC2)
CC3	82	84	ROOF,REMOVABLE PNL(TRANSPARENT PLASTIC)	W/CLEAR RF PNL(CC3)
CD2	76	84	INDICATOR,LOW WSWA FLUID	W/LOW FLUID IND(CD2)
CD4	76	84	WASHER & WIPER,PULSE W/S	W/PULSE WPR(CD4)
CE4	84	84	WASHER,HEADLAMP HIGH PRESSURE	W/CE4
CF4	76	81	ROOF,GLS SLDG SUN,MANUAL	W/SUNRF(CF4)
CF5	76	84	ROOF,GLS SLDG,ELEC(ASTRO)	W/ASTRO RF(CF5)
CF8	82	84	ROOF,VNL(SIMULATED CONVERTIBLE)	W/SIMULATED CONVR(CF8)
CG1	76	81	PILLAR,NARROW BODY LOCK	W/NARROW BODY LK PLR(CG1)
CH1	76	83	COMPRESSOR,AXIAL 6-CYL	W/AXIAL COMPR 6-CYL(CH1)
CH2	76	83	COMPRESSOR,RADIAL 4-CYL	W/RADIAL COMPR 4-CYL(CH2)
CO1	76	84	ORNAMENT,BODY EMBLEM EXTR	W/EXTR ORNA(CO1)
CO4	76	84	ROOF,VINYL PADDED,RR HALF(LANDAU)	W/RR VNL(CO4)
CO5	76	81	TOP,CONVERTIBLE FOLDING	W/FLDG TOP(CO5)
CO5	82	84	TOP,CONVERTIBLE	W/CONVR(CO5)
CO6	76	81	ROOF,ASTRO VIEW & SIMULATED ROLL BAR MLDG	W/ASTRO RF(CO6)
CO9	76	84	ROOF,VINYL PADDED,FULL TOP	W/FULL VNL(CO9)
C10	76	81	BIARRITZ	W/BIARRITZ(C10)

## GM PRODUCTION OPTIONS

RPO	FY	LY	DIVISIONAL RPO DESCRIPTION	WDDGM RPO DESCRIPTION
C10	84	84	ROOF VINYL PADDED SPECIAL LANDAU	W/SPL VNL(C10)
C18	76	84	WIPER & BLADE W/S(BLACK)	W/C18
C21	82	83	WIPER & BLADE W/S(PAINTED)	W/C21
C25	76	84	WASHER & WIPER, RR WDO	W/RR WGO WPR(C25)
C36	76	84	HEATER, AUX	W/AUX HTR(C36)
C40	84	84	HEATER, STANDARD(ELECTRONIC)	W/ELEK CONT HTR(C40)
C41	76	84	HEATER, W/DEFR, O/S AIR	(EXC A C.)
C42	76	84	HEATER, W/DEFR, H. D	W/HTR(C42)
C43	76	83	TAILGATE, STL	W/STL T/GATE(C43)
C44	76	84	TAILGATE, PLSTC	W/PLSTC T/GATE(C44)
C46	82	84	HEATER, HIGH CAPACITY	W/HTR(C46)
C49	76	84	DEFOGGER, RR WDO ELEC	W/ELEC DEFG(C49)
C50	76	81	DEFOGGER, RR WDO	W/BLO DEFG(C50)
C51	76	84	DEFLECTOR, AIR	W/AIR DEFL(C51)
C55	76	84	VENTILATOR, RF	W/RF VENT(C55)
C56	84	84	VENTILATOR, FORCED AIR RIGHT SIDE	W/RR AIR VENT(C56)
C60	76	84	AIR CONDITIONER, MAN CONT	W/A C. (C60)
C61	76	83	AIR CONDITIONER, AUTO CONT	W/A C. (C61)
C62	76	81	AIR CONDITIONER, FRT INSTAL, FLR MTD	W/A C. (C62)
C65	76	84	AIR CONDITIONER, TEMP/MATIC CONT	W/A C. (C65)
C67	84	84	AIR CONDITIONING, ALL WEATHER(ELECTRONIC)	W/A C. (C67)
C68	82	84	AIR CONDITIONER, ELEK CLIMATE CONT	W/A C. (C68)
C69	76	84	AIR CONDITIONER, OVERHEAD SYSTEM	W/A C. (C69)
C71	82	84	LAMP, FRT DR CTSY	W/FRT DR CTSY LP(C71)
C72	82	84	LAMP, RR DR CTSY	W/RR DR CTSY LP(C72)
C73	84	84	LAMP, MAN OPERATED INT(UTILITY BODY)	W/MAN LP(C73)
C80	76	84	SWITCH, FRT DOOR JAMB	W/FRT DR JAMB SW(C80)
C81	76	84	SWITCH, RR DR JAMB	W/RR DR JAMB SW(C81)
C87	82	84	LAMP, RR QTR CTSY	W/RR CTSY LP(C87)
C88	76	84	LAMP, RR COMPT CTSY	W/RR COMPT CTSY LP(C88)
C89	76	84	LAMP, RDG	W/RDG LP(C89)
C90	76	84	LAMP, CTSY & WRNG, DR	W/CTSY & WRNG LP(C90)
C91	82	84	LAMP, DOME	W/DOME LP(C91)
C92	76	83	LAMP, DOME & CARGO	W/DOME & CARGO LP(C92)
C93	76	84	LAMP, OPERA-EXTR	W/OPERA LP(C93)
C94	76	83	LAMP, DELAYED, DOME	W/DELAYED DOME LP(C94)
C95	76	84	LAMP, ASM, DOME & RDG	W/DOME & RDG LP(C95)
C96	76	84	LAMP, QTR CTSY & RDG	W/QTR RDG LP(C96)
C97	76	84	LAMP, DR CTSY LGT	W/DR LP LGT(C97)
DB3	84	84	SUNSHADE, W/S, W/EXTENSION	W/SUNSHADE(DB3)
DB4	84	84	SUNSHADE, W/S, W/POCKETS	W/SUNSHADE(DB4)
DD3	76	81	MIRROR, O/S RR VIEW CUST CHR	W/CHR CUST MIR(DD3)
DD4	76	83	MIRROR, O/S RR VIEW ELEC REM PASS SI	W/ELEC CHR MIR(DD4)
DD5	76	83	MIRROR, O/S RR VIEW ELEC REM DRIVER SI	W/ELEC CHR MIR(DD5)
DD7	76	83	MIRROR, W/THERM, O/S RR VIEW ELEC REM	W/THERM ILLUM MIR(DD7)
DD8	84	84	MIRROR, INSIDE RR VIEW DAY/NIGHT AUTO	W/AUTO DAY/NIGHT MIR(DD8)
DD9	82	84	MIRROR, O/S RR VIEW ELEC REM(EXPORT)	W/DD9(EXPORT)
DE1	82	84	LOUVER, SUNSHIELD	W/DE1
DE6	84	84	SUNSHADE, W/S, WITHOUT EXTENSION	W/SUNSHADE(DE6)
DE7	82	84	MIRROR, O/S RR VIEW REM BREAKAWAY(EXPORT)	W/DE7(EXPORT)
DE9	76	84	CONSOLE, FRT COMPT NON-SHIFTING	W/CNSL(DE9)
DF1	76	84	MIRROR, CAMPER(PAINTED)	W/PA CAMPER MIR(DF1)
DF2	76	84	MIRROR, CAMPER(STAINLESS)	W/CHR CAMPER MIR(DF2)
DF3	76	84	MIRROR, O/S RR VIEW REM CONT, PASS SI	W/CHR REM MIR(DF3)
DF4	76	81	MIRROR, O/S RR VIEW REM CONT, PASS SI	W/SPORT REM MIR(DF4)
DF5	76	84	MIRROR, O/S RR VIEW ELEC REM THERM ILLUM	W/THERM ILLUM MIR(DF5)
DG1	76	81	MIRROR, O/S RR VIEW, PASS SI	W/PASS SI MIR(DG1)
DG2	76	84	MIRROR, O/S RR VIEW ELEC REM	W/ELEC MIR(DG2)
DG4	76	81	MIRROR, WEST COAST TYPE, SMALL	W/BELOW EYELINE MIR(DG4)
DG5	76	84	MIRROR, SENIOR WEST COAST	W/SR WEST COAST MIR(DG5)
DG6	76	81	MIRROR, O/S RR VIEW RT & LT ELEC THERM	W/THERM MIR(DG6)
DG7	76	84	MIRROR, O/S RR VIEW ELEC REM(SPORT)	W/ELEC SPORT MIR(DG7)
DG8	82	84	MIRROR, BREAKAWAY(EXPORT)	W/DGB(EXPORT)
DH6	76	83	MIRROR, VISOR VANITY, DR & PASS	W/VISOR VAN MIR(DH6)
DJ9	76	81	MIRROR, O/S RR VIEW, CUSTOM, PASS SI	W/SPORT MIR(DJ9)
DK2	84	84	MIRROR, O/S RR VIEW ELEC REMOTE	W/ELEC MIR(DK2)
DK4	84	84	CONSOLE, FRT COMPT NON-SHIFTING(MINI)	W/CNSL(DK4)
DK7	84	84	DECAL, WINDOW (DELETE)	(EXC OLYMPIC DECAL)
DL1	76	83	DECALS & STRIPES	W/ACNT STRIPE(DL1)
DL2	76	81	DECAL & STRIPES	W/ACNT STRIPE(DL2)
DL4	84	84	DECAL, TWO-TONE PAINT SCHEME	W/DL4
DL6	76	81	DECAL & STRIPES	W/ACNT STRIPE(DL6)

## GM PRODUCTION OPTIONS

RPO	FY	LY	DIVISIONAL RPO DESCRIPTION	WDDGM RPO DESCRIPTION
DL8	82	84	MIRROR,O/S RR VIEW ELEC CONT(HTD ELEM)	W/ELEC HTD MIR(DL8)
DL9	84	84	DECAL,FRT FDR & RR QTR-BLACKOUT	W/DL9
DT4	84	84	ASH RECEPTACLE & CIGARETTE LIGHTER	W/DT4
DX1	82	84	DECAL,HOOD APPLIQUE	W/DX1
DX4	76	81	FREE SPIRIT	W/FREE SPIRIT(DX4)
DX4	82	84	STRIPE,BODY SI	W/ACNT STRIPE(DX4)
DX5	76	81	STRIPE,BODY SI (BUICK)	W/NIGHT HAWK(DX5)
DX5	76	81	STRIPE,BODY SI (CHEVROLET)	W/ACNT STRIPE(DX5)
DX5	82	84	STRIPE,BODY SI (MULTI-TONE)	W/ACNT STRIPE(DX5)
DX6	76	81	STRIPE,BODY SI (3 MULTI-TONE)	W/ACNT STRIPE(DX6)
DX9	76	81	TAPE,ACCENT STRIPE	W/ACNT STRIPE(DX9)
DY1	76	83	DECALS & STRIPES	W/ACNT STRIPE(DY1)
DY2	83	83	STRIPE,ACCENT(MULTICOLOR)	W/ACNT STRIPE(DY2)
DY5	76	84	DECALS & STRIPES,DECK LID	W/DY5
DO1	82	83	PAINT,LACQUER MASTER	W/DO1
DO2	82	84	PAINT,ENAMEL MASTER	W/DO2
DO3	84	84	PAINT,WATER MASTER	W/DO3
DO5	82	84	HANDLE,INSIDE	W/DO5(EXPORT)
DO6	82	84	REST,FRT CNSL ARM	W/CNSL A/RST(DO6)
DO7	84	84	CONSOLE,FRT FLOOR(CUSTOM)	W/CUSTOM CNSL(DO7)
DO9	82	84	REST,FRT ST ARM	W/FRT ST A/RST(DO9)
D12	76	84	SHELF,RR COMPT W/H TR	W/LUX TR(D12)
D20	82	84	SUNSHADE,PASS SI	W/PASS S/S(D20)
D24	76	84	CONTAINER,LITTER	W/D24
D26	76	81	TRAY,STOWAGE ON SPARE TIRE	W/SPA TIRE STOW(D26)
D27	76	84	COVER,RR COMPT STOW	W/D27
D28	84	84	MIRROR,O/S RR VIEW (DELETE)	(EXC O/S RR VIEW MIR)
D29	76	81	MIRROR,BELOW EYELINE,JUNIOR,PAINTED	W/BELOW EYELINE MIR(D29)
D31	76	84	MIRROR,I/S RR VIEW(TILT)	W/TILT MIR(D31)
D33	76	84	MIRROR,O/S RR VIEW REM COMT LH	W/REM CHR MIR(D33)
D34	76	84	MIRROR,VISOR VAN	W/VISOR VAN MIR(D34)
D35	76	84	MIRROR,O/S RR VIEW(CUST)	W/SPORT MIR(D35)
D36	76	81	MIRROR,I/S RR VIEW,10 IN. TILT(EXPORT)	W/D36(EXPORT)
D41	76	84	TRAY,RR QTR ASH	W/D41
D42	82	84	COVER,RR COMPT SECURITY	W/RR COMPT SECURITY CVR(D42)
D43	76	81	MIRROR,I/S RR VIEW,12 IN. TILT(EXPORT)	W/D43(EXPORT)
D44	76	84	MIRROR,BELOW EYELINE(PAINTED)	W/PA O/S MIR(D44)
D45	76	84	MIRROR,O/S BELOW EYELINE(STNLS STL)	W/STNLS O/S MIR(D45)
D46	82	84	MIRROR,W/CLEARANCE LGTS,WEST COAST TYPE	W/WEST COAST MIR(D46)
D47	85	85	CONSOLE,FRT COMPT FLOOR	W/CNSL(D47)
D49	76	84	MIRROR,O/S DUAL BRI	W/DUAL BRI MIR(D49)
D50	76	83	CONSOLE,FRT COMPT-DELETE	(EXC CNSL)
D53	76	81	APPLIQUE,HOOD	W/HOOD APLQ(D53)
D53	82	84	DECAL,HOOD BIRD	W/D53
D55	76	84	CONSOLE,FRT COMPT FLR(VAR 1)	W/CNSL(D55)
D57	82	84	PAINT,SPL TWO-TONE	W/TWO-TONE(D57)
D58	76	81	CONSOLE,FRT COMPT FLR,EXTRA LONG(VAR 3)	W/CONSL(D58)
D64	76	84	MIRROR,VISOR VAN ILLUM,RT SI	W/ILLUM VAN MIR(D64)
D65	76	81	MIRROR,O/S RR VIEW,LT SI,THERM	W/REM THERM MIR(D65)
D66	76	84	MIRROR,W/THERM,O/S RR VIEW,LT SI	W/REM ILLUM THERM MIR(D66)
D68	76	84	MIRROR,O/S RR VIEW REM CONT(SPORT)	W/SPORT REM MIR(D68)
D69	76	84	MIRROR,O/S RR VIEW REM,DRIVERS SI	W/SPORT REM MIR(D69)
D73	76	84	RAIL,HAND (PICK-UP BOX)	W/SI RAIL(D73)
D74	76	84	MIRROR,VISOR VAN,ILLUM LT SI	W/ILLUM VAN MIR(D74)
D75	76	81	DEFLECTOR,FRT AIR	W/FRT AIR DEFL(D75)
D75	84	84	EXTENSION,OUTSIDE DOOR HANDLE (EXPORT)	W/D75(EXPORT)
D78	82	84	MIRROR,O/S RR VIEW WIDE ANGLE(DUAL SYSTEM)	W/WIDE ANGLE MIR(D78)
D80	76	84	SPOILER,DECK LID RR	W/RR SPLR(D80)
D84	76	84	PAINT,TWO-TONE(CUST)	W/TWO-TONE(D84)
D85	76	81	STRIPE,BODY SI LWR ACCENT	W/ACNT STRIPE(D85)
D86	76	83	PAINT,TWO-TONE(DELUXE)	W/DLX TWO-TONE(D86)
D88	76	84	STRIPE,HOOD & DECK LID	W/ACNT STRIPE(D88)
D89	82	84	PAINT,TWO-TONE SPL DECOR	W/TWO-TONE(D89)
D90	76	84	STRIPE,FRT END & BODY SI	W/ACNT STRIPE(D90)
D91	76	83	PAINT,TWO-TONE SPL	W/TWO-TONE(D91)
D92	76	84	TAPE,DECOR(AT DR HANDLE)	W/D92
D93	82	84	PAINT,DR & WDD FRMS	W/D93
D98	76	84	STRIPE,ACNT	W/ACNT STRIPE(D98)
D99	76	84	PAINT,TWO-TONE(SPL ORDER)	W/TWO-TONE(D99)
E24	84	84	DOORS,HINGED CARGO SIDE	W/E24
E26	84	84	DOOR,LH SIDE ACCESS(UTILITY BODY)	W/E26
E27	84	84	DOOR,RH SIDE ACCESS(UTILITY BODY)	W/E27



## GM PRODUCTION OPTIONS

RPO	FY	LY	DIVISIONAL RPO DESCRIPTION	WOODGM RPO DESCRIPTION
E28	82	84	HANDLE,ASST	W/ASST MOL(E28)
E31	76	84	BODY,STL(10 FT)HI-CUBE VAN	W/E31
E32	76	84	BODY,STL(SQUARE)F/C PNL	W/E32
E33	76	84	BODY,ALUM(SQUARE)F/C PNL	W/E33
E34	76	84	BODY,STL(10 FT)HI-CUBE VAN	W/E34
E35	76	81	BODY,STL(12 FT)HI-CUBE VAN	W/E35
E35	84	84	PICKUP BOX,LESS TAILGATE (FLEETSIDE)	W/E35
E36	76	84	BODY,ALUM(10FT)HI-CUBE VAN	W/E36
E37	76	81	BODY,ALUM(12 FT)HI-CUBE VAN	W/E37
E37	82	84	BODY,COMMERCIAL UTILITY	W/E37
E38	76	84	BODY,STL(12 FT)HI-CUBE VAN	W/E38
E39	76	84	BODY,ALUM(12 FT)HI-CUBE VAN	W/E39
E46	82	84	DOOR,W/GLS,TRK BODY OVERHEAD RR(66 IN)	W/E46
E50	76	83	BAR,ROLL	W/ROLL BAR(E50)
E52	82	83	DOORS,RR WRAPAROUND(83 IN)	W/E52
E53	82	84	DOORS,RR WRAPAROUND(87 IN)	W/E53
E55	76	84	GATE,END(SUBURBAN)	W/E55
E56	76	83	BODY,PLATFORM W/STAKE RACK	W/E56
E62	76	84	BOX,STEPSTIDE PICKUP	W/E62
E63	76	84	BOX,FLEETSTIDE PICKUP	W/E63
E65	84	84	BODY HEIGHT,INCREASED INT (80 IN)	W/E65
E67	84	84	BODY LENGTH,12 IN INCREASE	W/E67
E70	82	84	HOUSING,WHL(FOR DUAL RR WHLS)	W/E70
E71	82	84	FLOOR,CARGO(SMOOTH STL)	W/E71
E72	84	84	BODY LENGTH,18 IN INCREASE	W/E72
E73	76	81	BODY WIDTH ADDITION (9 IN.)	W/E73
E73	84	84	BODY WIDTH,INCREASED INT (86.4 IN)	W/E73
E74	76	81	BODY WIDTH ADDITION (13 IN.)	W/E74
E74	84	84	BODY WIDTH,INCREASED INT (90.5 IN)	W/E74
E76	82	84	DOORS,RR(60 IN)	W/E76
E79	82	84	DOORS,RR(STRAP HINGES)(74 IN)	W/E79
E81	76	81	FLOOR BOARD EQUIPMENT,WOOD	W/WD FLR BD(E81)
E82	76	83	LID,DECK(STL)	W/STL DECK LID(E82)
E83	76	84	LID,DECK(ALUM)	W/ALUM DECK LID(E83)
E86	76	83	COVER,TONNEAU CARGO BOX(SNAP-ON)	W/TONNEAU(E86)
E89	82	84	PANEL,CAB,DRIVER DR OPG	W/E89
E94	76	84	BEAUVILLE EQUIPMENT(CHEVROLET)	W/E94
E94	76	84	RALLY STX EQUIPMENT(GMC)	W/E94
FE1	76	81	RALLY SUSPENSION PACKAGE	W/RALLY SLP(FE1)
FE2	76	81	RALLY SUSPENSION PACKAGE	W/RALLY SUSP(FE2)
FE2	82	84	SUSPENSION SYSTEM,TOURING RIDE & HANDLING	W/TOURING SUSP(FE2)
FE3	76	81	SUSPENSION SYSTEM,SPECIAL,LESS STAB SHF	W/SPL SUSP(FE3)
FE3	84	84	SUSPENSION,SPORT	W/SPORT SUSP(FE3)
FE5	84	84	SUSPENSION,SPL PERF FRT & RR (DELETE)	(EXC PERF SUSP)(EXPORT)
FE7	76	84	SUSPENSION,FRT AND RR H.D.	W/H.D. SUSP(FE7)
FG2	76	84	ABSORBER,FRT & RR SHOCK,FIRM RIDE	W/FIRM RIDE(FG2)
FK2	82	84	ANCHOR,TORSION BAR RR(57 DEGREE)	W/FK2
FK3	82	84	ANCHOR,TORSION BAR RR(63 DEGREE)	W/FK3
FS3	85	85	AXLE,FRONT I-BEAM CONSTRUCTION (5000 LBS)	W/FS3
FW?	82	84	AXLE,FRT 3.06 RATIO	W/3.06R(FW?)
FWj	82	84	AXLE,FRT 2.33 RATIO	W/2.33R(FWj)
FW4	82	84	AXLE,FRT 3.36 RATIO	W/3.36R(FW4)
FW5	82	84	AXLE,FRT 4.10 RATIO	W/4.10R(FW5)
FW6	82	84	AXLE,FRT 2.14 RATIO	W/2.14R(FW6)
FW7	82	84	AXLE,FRT 3.83 RATIO	W/3.83R(FW7)
FW8	84	84	AXLE,FRT 1.99 RATIO	W/1.99R(FW8)
FW9	82	84	AXLE,FRT 3.43 RATIO	W/3.43R(FW9)
FX2	84	84	AXLE,FRT 2.66 RATIO	W/2.66R(FX2)
FO1	82	84	FRAME,H.D.	W/H.D. FRM(FO1)
F16	76	84	AXLE,FRT 2.53 RATIO	W/2.53R(F16)
F17	76	84	AXLE,FRT 2.84 RATIO	W/2.84R(F17)
F25	76	84	AXLE,FRT 3.32 RATIO	W/3.32R(F25)
F29	76	81	AXLE,FRT 2.41 RATIO	W/2.41R(F29)
F36	76	81	AXLE,FRT 2.19 RATIO	W/2.19R(F36)
F40	76	84	SUSPENSION,H.D. FRT & RR	W/H.D. SUSP(F40)
F41	76	84	SUSPENSION,SPL H.D. FRT & RR	W/H.D. SUSP(F41)
F42	76	84	SUSPENSION,H.D. FRT	W/H.D. SUSP(F42)
F44	76	81	CHASSIS EQUIPMENT,HEAVY DUTY	W/F44
F45	76	84	AXLE,FRT 2.93 RATIO	W/2.93R(F45)
F47	82	84	AXLE,FRT 2.73 RATIO	W/2.73R(F47)
F51	76	84	ABSORBER,H.D. SHOCK	W/H.D. SHK(F51)
F57	82	84	AXLE,FRT 3.15 RATIO	W/3.15R(F57)

## GM PRODUCTION OPTIONS

RPO	FY	LY	DIVISIONAL RPO DESCRIPTION	WDDGM RPO DESCRIPTION
F58	76	84	SHAFT, H. D. FRT STAB	W/H. D. STAB(F58)
F59	76	84	STABILIZER, FRT	W/F59
F60	76	84	SPRING, H. D. FRT	W/H. D. FRT SPR(F60)
F61	82	84	SHAFT, STAB RR	W/F61
F62	76	84	AXLE, FRT 2.30 RATIO	W/2.39R(F62)
F65	76	81	SUSPENSION, FRONT AIR	W/AIR SUSP(F65)
F66	76	84	SUSPENSION, H. D. FRONT AIR	W/H. D. AIR SUSP(F66)
F67	82	84	AXLE, FRT 3.19 RATIO	W/3.19R(F67)
F68	82	83	AXLE, FRT 3.45 RATIO	W/3.45R(F68)
F71	82	84	SPRING, W/SHK ABS, H. D. (VAR 1)	W/H. D. SUSP(F71)
F72	82	84	SPRING, W/SHK ABS, H. D. (VAR 2)	W/H. D. SUSP(F72)
F75	76	84	AXLE, FRT 3.18 RATIO	W/3.18R(F75)
F77	82	84	AXLE, FRT 3.73 RATIO	W/3.73R(F77)
F79	82	84	AXLE, FRT 2.97 RATIO	W/2.97R(F79)
F85	76	81	SHAFT, H. D. FRT STABILIZER	W/H. D. STAB(F85)
F90	76	81	AXLE, FRT 2.73 RATIO	W/2.73R(F90)
GH2	76	84	AXLE, RR 2.29 RATIO	W/2.29R(GH2)
GH4	76	81	AXLE, RR 2.28 RATIO	W/2.28R(GH4)
GL1	76	81	DIFFERENTIAL CARRIER, RR AXLE, ALUM	W/GL1
GM7	82	83	AXLE, RR 2.39 RATIO	W/2.39R(GM7)
GMB	76	84	AXLE, RR 2.56 RATIO	W/2.56R(GMB)
GN3	76	81	DRIVER CONTROL LEVELING	W/LVL CONT(GN3)
GT4	76	84	AXLE, RR 3.73 RATIO	W/3.73R(GT4)
GT5	76	84	AXLE, RR 4.10 RATIO	W/4.10R(GT5)
GT8	76	84	AXLE, H. D. RR 4.10 RATIO	W/H. D. 4.10R(GT8)
GU1	76	84	AXLE, RR 2.41 RATIO	W/2.41R(GU1)
GU2	76	84	AXLE, RR 2.73 RATIO	W/2.73R(GU2)
GU3	82	84	AXLE, RR 2.93 RATIO	W/2.93R(GU3)
GU4	76	84	AXLE, RR 3.08 RATIO	W/3.08R(GU4)
GU5	76	84	AXLE, RR 3.23 RATIO	W/3.23R(GU5)
GU6	76	84	AXLE, RR 3.42 RATIO	W/3.42R(GU6)
GV4	82	84	AXLE, RR 3.36 RATIO	W/3.36R(GV4)
GV8	82	83	AXLE, RR 2.72 RATIO	W/2.72R(GV8)
GW4	84	84	AXLE, RR 3.31 RATIO	W/3.31R(GW4)
GW9	76	84	AXLE, RR 2.93 RATIO	W/2.93R(GW9)
GX3	82	84	AXLE, FRT 3.33 RATIO	W/3.33R(GX3)
GX4	76	83	AXLE, RR 3.75 RATIO	W/3.75R(GX4)
GX5	76	83	AXLE, RR 4.09 RATIO	W/4.09R(GX5)
GY5	76	84	AXLE, FRT 3.65 RATIO	W/3.65R(GY5)
G50	76	84	SPRING, H. D. RR (VAR 1)	W/H. D. RR SPR(G50)
G51	76	84	SPRING, SPL H. D. RR (VAR 2)	W/H. D. RR SPR(G51)
G52	82	84	SPRING, EXTRA CAPACITY RR	W/H. D. RR SPR(G52)
G60	76	84	SPRING, AUX	W/AUX SPR(G60)
G66	76	84	ABSORBER, AIR BOOSTER RR SHK	W/MAN LVL CONT(G66)
G67	76	77	ABSORBER, AUTO LVL CONT SHK SYS	W/A. L. C. (G67)
G67	78	84	ABSORBER, ELEC LVL CONT SHK SYS	W/ELEC LVL CONT(G67)
G72	80	80	AXLE, RR 2.14 RATIO	W/2.14R(G72)
G72	81	81	AXLE, RR 2.14 RATIO (EXPORT)	W/2.14R(G72) (EXPORT)
G72	82	84	AXLE, RR 2.14 RATIO	W/2.14R(G72)
G75	82	84	AXLE, RR 3.62 RATIO	W/3.62R(G75)
G80	76	84	AXLE, RR LOCKING TYPE	W/G80
G83	82	83	GEAR, RING 8.75 IN	W/8.75 DIA RNGR(G83)
G87	76	84	GEAR, RING 8.50 IN	W/8.50 DIA RNGR(G87)
G88	76	83	GEAR, RING 8.875 IN	W/8.875 DIA RNGR(G88)
G89	76	84	GEAR, RING 7.50 IN	W/7.50 DIA RNGR(G89)
G92	76	84	AXLE, PERFORMANCE RATIO	W/G92
HA3	82	84	AXLE, RR 5.29 RATIO	W/5.29R(HA3)
HC2	76	81	AXLE, RR 2.76 RATIO	W/2.76R(HC2)
HC4	76	84	AXLE, RR 4.56 RATIO	W/4.56R(HC4)
HC7	76	84	AXLE, RR 5.13 RATIO	W/5.13R(HC7)
HC8	76	84	AXLE, RR 3.21 RATIO	W/3.21R(HC8)
HD1	82	84	AXLE, RR 5.83 RATIO	W/5.83R(HD1)
HE3	76	84	AXLE, RR 3.07 RATIO	W/3.07R(HE3)
HE4	76	81	AXLE, RR 3.40 RATIO	W/3.40R(HE4)
HF7	76	84	AXLE, H. D. RR 4.56 RATIO	W/H. D. 4.56R(HF7)
HF8	76	84	AXLE, RR 4.88 RATIO	W/4.88R(HF8)
HK1	82	83	AXLE, RR 2.87 RATIO	W/2.87R(HK1)
HK9	82	84	AXLE, RR 5.86 RATIO	W/5.86R(HK9)
H40	85	85	HEAVY DUTY EMISSIONS CONTROL (VAR 4)	W/H. D. EMIS CONT(H40)
HO4	76	84	AXLE, RR 4.11 RATIO	W/4.11R(HO4)
H22	76	81	AXLE, RR 6.17 RATIO	W/6.17R(H22)

## GM PRODUCTION OPTIONS

RPO	FY	LY	DIVISIONAL RPO DESCRIPTION	WDDGM RPO DESCRIPTION
H23	76	81	AXLE,RR 5.43 RATIO	W/S 43R(H23)
JA1	76	84	BRAKE SYSTEM,PWR LT DUTY	W/JA1
JA2	76	84	BRAKE SYSTEM,PWR HVY DUTY	W/JA2
JA3	76	84	BRAKE SYSTEM,PWR (WAGONS)	W/JA3
JA4	76	81	BRAKE SYSTEM,DISC/DRUM	W/JA4
JA5	76	84	BRAKE SYSTEM,PWR HVY DUTY	W/JA5
JA6	76	84	BRAKE SYSTEM,MAN EXTRA LT WT	W/JA6
JA8	82	84	BRAKE SYSTEM,PWR MED DUTY	W/JA8
JB1	76	84	BRAKE SYSTEM,MAN DISC/DRUM	W/JB1
JB2	76	81	BRAKE SYSTEM,DISC/DRUM	W/JB2
JB3	76	84	BRAKE SYSTEM,VAC PWR DISC/DRUM	W/JB3
JB5	76	84	BRAKE SYSTEM,VAC PWR DISC/DRUM	W/JB5
JB6	76	84	BRAKE SYSTEM,VAC PWR DISC/DRUM	W/JB6
JB7	76	84	BRAKE SYSTEM,VAC PWR DISC/DRUM	W/JB7
JB8	76	84	BRAKE SYSTEM,HYD PWR DISC/DRUM	W/JB8
JC4	82	83	BRAKE,FRNT VENTED ROTOR	W/JC4
JD3	76	84	BRAKE SYSTEM,VAC PWR DISC/DRUM	W/JD3
JD5	76	84	BRAKE SYSTEM,PWR DISC	W/JD5
JD6	76	84	BRAKE SYSTEM,HYD PWR DISC/DRUM	W/JD6
JD7	76	84	BRAKE SYSTEM,HYD PWR DISC/DRUM	W/JD7
JE1	76	84	BRAKE SYSTEM,EUROPE(EXPORT)	W/JE1 (EXPORT)
JF9	76	84	BRAKE SYSTEM,HYD PWR 4-WHL DISC	W/JF9
JL1	76	83	PAOS,CUST PED TR	W/CUST PAOS (JL1)
JL2	76	83	BRAKE SYSTEM,FRNT PWR DISC	W/JL2
JL5	82	83	BRAKE,FRNT SOLID DISC	W/JL5
JL6	76	84	BRAKE SYSTEM,MAN DISC	W/JL6
JM5	82	84	HEAD,PWR BRK BOOSTER(TANDEM)	W/P. B. BOOS (JM5)
JM7	76	84	HEAD,PWR BRK BOOSTER(SINGLE)	W/P. B. BOOS (JM7)
JM8	76	84	BRAKE SYSTEM,RR DISC	W/JM8
J41	82	84	DRUMS,BRAKE(CAST IRON)	W/J41
J42	82	84	DRUMS,BRAKE(ALUM)	W/J42
J50	76	84	BRAKE SYSTEM,VAC PWR	W/J50
J55	76	84	BRAKE SYSTEM,H.D. PWR(VAR 1)	W/J55
J65	76	84	BRAKE SYSTEM,PWR DISC FRNT & RR	W/J65
J90	76	81	BRAKE SYSTEM,RR DRUM H.D.	W/J90
KA5	82	84	VACUUM SYSTEM,CAM DRIVEN	W/KA5
KA6	82	84	VACUUM SYSTEM,BELT DRIVEN	W/KA6
KB1	82	84	EXHAUST MANIFOLD,SHEET METAL	W/KB1
KB3	82	84	WATER PUMP,ALUMINUM	W/KB3
KB7	82	83	HEAD,CAST IRON	W/KB7
KBB	82	84	HEAD,ALUM	W/KBB
KC4	76	84	COOLER,ENG OIL ***PASS CAR EXC CORVETTE***	W/KC4 (EXPORT)
KC4	76	84	COOLER,ENG OIL ***TRUCK & CORVETTE***	W/KC4
KD2	82	84	PUMP,FUEL INJECTION (STANADYNE)	W/KD2 (STANADYNE)
KD3	82	84	PUMP,FUEL INJECTION (C.A.V.)	W/KD3 (C.A.V.)
KE1	76	81	ELECTRONIC SPARK SELECTION	W/E.S.S. (KE1)
KF3	76	81	ELECTRONIC FUEL INJECTION	W/E.F.I. (KF3)
KJ5	76	81	MOTOR,STARTING(JAPANESE EXPORT)	W/KJ5 (EXPORT)
KJ5	82	84	MOTOR,STARTING(MITSUBISHI)	W/KJ5
KL7	82	84	LP GAS PREPARATION	W/KL7 (CANADIAN)
KM5	76	81	GLOW SYSTEM,SLOW START	W/SLOW GLOW(KM5)
KM6	76	81	GLOW SYSTEM,FAST START	W/FAST GLOW(KM6)
KM7	76	83	MANIFOLD,INT(CAST IRON)	W/KM7
KM9	76	84	MANIFOLD,INT(ALUM)	W/KM9
K05	76	84	HEATER,ENG BLOCK	W/K05
K07	76	84	HEATER,DIESEL FUEL	W/K07
K15	76	84	LINE,FUEL VAPOR RTN	W/K15
K19	76	84	AIR INJECTION SYSTEM	W/A.I.R. (K19)
K22	82	84	DELCOTRON,94 AMP	W/94 AMP(K22)
K30	76	84	CONTROL,SPEED & CRUISE(AUTO)	W/CRUISE CONT(K30)
K34	76	84	CONTROL,SPEED & CRUISE(INTEGRATED COMPUTER)	W/CRUISE CONT(K34)
K35	76	83	CONTROL,W/RESUME,SPEED & CRUISE	W/CRUISE CONT(K35)
K46	82	84	CLEANER,AIR PRECHAMBER	W/K46
K61	84	84	DELCOTRON,97 AMP	W/97 AMP(KE1)
K64	82	84	DELCOTRON,78 AMP	W/78 AMP(K64)
K70	82	84	PULSAIR,AIR INJ ENG	W/PULSAIR(K70)
K71	82	84	EMISSION CONTROL,NOT CERTIFIED(EXPORT)	W/K71 (EXPORT)
K73	76	84	DELCOTRON,70 AMP	W/70 AMP(K73)
K74	76	81	EARLY FUEL EVAPORATION (DELETE)	(EXC EARLY FUEL EVAP)
K76	76	81	DELCOTRON,61 AMP	W/61 AMP(K76)
K77	76	82	DELCOTRON,55 AMP	W/55 AMP(K77)

## GM PRODUCTION OPTIONS

RPO	FY	LY	DIVISIONAL RPO DESCRIPTION	WDDGM RPO DESCRIPTION
K77	83	84	DELCOTRON, 56 AMP	W/56 AMP(K77)
K79	76	84	DELCOTRON, 42 AMP	W/42 AMP(K79)
K80	84	84	DELCOTRON, 92 AMP	W/92 AMP(K80)
K81	76	82	DELCOTRON, 63 AMP	W/63 AMP(K81)
K81	83	84	DELCOTRON, 66 AMP	W/66 AMP(K81)
K85	82	84	DELCOTRON, 37 AMP	W/37 AMP(K85)
K90	84	84	DELCOTRON, 108 AMP	W/108 AMP(K90)
K92	76	81	DELCOTRON, 105 AMP	W/105 AMP(K92)
K94	76	81	ENGINE DISPLACEMENT, MODULATED	W/K94
K95	76	81	ENGINE DISPLACEMENT, NONMODULATED	W/K95
K97	76	84	DELCOTRON, 80 AMP	W/80 AMP(K97)
K99	76	84	DELCOTRON, 85 AMP	W/85 AMP(K99)
LA5	84	84	ENGINE ASM, 1.8L L4	(1.8J)
LC1	82	84	ENGINE ASM, 2.8L V6	(2.8-1)
LC3	82	82	ENGINE ASM, 229 C.I.D. V6	(229K)
LC3	83	84	ENGINE ASM, 229 C.I.D. V6	(229-9)
LC4	80	84	ENGINE ASM, 4.1L V6	(4.1-4)
LC5	78	78	ENGINE ASM, 231 C.I.D. V6	(231G)
LC6	78	79	ENGINE ASM, 231 C.I.D. V6	(231-2)
LC8	78	82	ENGINE ASM, 231 C.I.D. V6	(231-3)
LC8	83	83	ENGINE ASM, 231 C.I.D. V6	(231-8)
LC9	78	79	ENGINE ASM, 196 C.I.D. V6	(196)
LD4	78	78	ENGINE ASM, 250 C.I.D. STAN 6CYL	(250)
LD5	76	84	ENGINE ASM, 231 C.I.D. V6	(231A)
LD7	77	77	ENGINE ASM, 231 C.I.D. V6	(231C)
LE2	80	84	ENGINE ASM, 2.8L V6	(2.8X)
LE3	79	84	ENGINE ASM, 250 C.I.D. L6	(250D)
LE4	80	80	ENGINE ASM, 400 C.I.D. V8	(400X)
LE8	80	84	ENGINE ASM, 454 C.I.D. V8	(454W)
LE9	82	84	ENGINE ASM, 305 C.I.D. V8	(305H)
LF3	82	84	ENGINE ASM, 305 C.I.D. V8	(305F)
LF4	77	80	ENGINE ASM, 400 C.I.D. V8	(400R)
LF5	79	82	ENGINE ASM, 350 C.I.D. V8	(350P)
LF5	83	83	ENGINE ASM, 350 C.I.D. V8	W/SEO(LF5)
LF7	79	79	ENGINE ASM, 260 C.I.D. DIESEL V8	(260P)
LF8	77	79	ENGINE ASM, 454 C.I.D. V8	(454S)
LF9	78	84	ENGINE ASM, 350 C.I.D. V8 DIESEL	(350N)
LG3	77	78	ENGINE ASM, 305 C.I.D. V8	(305U)
LG3	79	79	ENGINE ASM, 305 C.I.D. V8	(305G)
LG4	80	84	ENGINE ASM, 305 C.I.D. V8	(305H)
LG9	77	81	ENGINE ASM, 305 C.I.D. V8	(305G)
LH6	82	84	ENGINE ASM, 6.2L V8 DIESEL	(6.2C)
LH7	82	84	ENGINE ASM, 2.8L V6	(2.8Z)
LH8	82	84	ENGINE ASM, 1.8L L4	(1.8-0)
LJ5	81	84	ENGINE ASM, 1.8L L4 DIESEL	(1.8D)
LK9	82	84	ENGINE ASM, 3.0L V6	(3.0E)
LL1	83	84	ENGINE ASM, 2.8L V6	(2.8L)
LL4	82	84	ENGINE ASM, 6.2L V8 DIESEL	(6.2J)
LM1	77	82	ENGINE ASM, 350 C.I.D. V8	(350L)
LM1	83	84	ENGINE ASM, 350 C.I.D. V8 (CHEVROLET)	W/SEO(LM1)
LM1	84	84	ENGINE ASM, 350 C.I.D. V8 (PONTIAC)	(350-6) (EXPORT)
LM9	84	84	ENGINE ASM, 3.8L V6	(231-9)
LN3	84	84	ENGINE ASM, 3.8L V6	(231-3)
LP9	84	84	ENGINE ASM, 5.7L V8	W/SEO(LP9)
LQ2	83	84	ENGINE ASM, 2.0L L4	(2.0Y)
LQ5	83	84	ENGINE ASM, 2.0L L4	(2.0P)
LQ7	83	84	ENGINE ASM, 2.2L L4 DIESEL	(2.2S)
LQ8	82	83	ENGINE ASM, 2.5L L4	(2.5F)
LQ9	82	84	ENGINE ASM, 2.5L L4	(2.5-2)
LR1	82	84	ENGINE ASM, 1.9L L4	(1.9A)
LR2	82	84	ENGINE ASM, 2.8L V6	(2.8B)
LR8	82	84	ENGINE ASM, 2.5L L4	(2.5R)
LR9	82	84	ENGINE ASM, 2.0L L4	(2.0B)
LS6	78	79	ENGINE ASM, 151 C.I.D. L4	(151-1)
LS8	79	79	ENGINE ASM, 151 C.I.D. L4	(151-9)
LS9	77	84	ENGINE ASM, 350 C.I.D. V8	(350L)
LT5	76	81	ENGINE PERFORMANCE PKG, HIGH ALT	W/ALT(LT5)
LT6	82	84	ENGINE ASM, 4.3L V6 DIESEL	(4.3V)
LT7	82	84	ENGINE ASM, 4.3L V6 DIESEL	(4.3T)
LT8	82	84	ENGINE ASM, 4.1L V8	(4.1-8)
LT9	80	84	ENGINE ASM, 350 C.I.D. V8 (GASOLINE)	(350M)
LT9	83	84	ENGINE ASM, 350 C.I.D. V8 (PROPANE)	(350K)

## GM PRODUCTION OPTIONS

RPO	FY	LY	DIVISIONAL RPO DESCRIPTION	WDOGM RPO DESCRIPTION
LU5	82	82	ENGINE ASM, 5.0L V8	(5.0-7)
LU5	83	83	ENGINE ASM, 5.0L V8	(5.0S)
LV2	80	84	ENGINE ASM, 307 C.I.D. V8	(307Y)
LV2	83	84	ENGINE ASM, 307 C.I.D. V8 (WITH HURST/OLDS)	(307-9)
LV8	77	78	ENGINE ASM, 260 C.I.D. V8	(260)
LV8	79	81	ENGINE ASM, 260 C.I.D. V8	(260F)
LV8	82	82	ENGINE ASM, 260 C.I.D. V8	(260-8)
LW5	78	79	ENGINE ASM, 1.6L L4	(1.6J)
LW9	80	83	ENGINE ASM, 2.5L L4	(2.5-5)
LX3	77	77	ENGINE ASM, 1.4L L4	(1.4)
LX6	77	78	ENGINE ASM, 151 C.I.D. L4	(151V)
LX8	79	80	ENGINE ASM, 151 C.I.D. L4	(151V)
LY5	77	78	ENGINE ASM, 1.6L L4	(1.6E)
LO2	76	84	DELCOTRON, 100 AMP	W/100 AMP (LO2)
LO3	76	81	DELCOTRON, 110 AMP	W/110 AMP (LO3)
LO4	76	81	DELCOTRON, 145 AMP	W/145 AMP (LO4)
LO5	76	81	DELCOTRON, 130 AMP	W/130 AMP (LO5)
LO7	76	81	DELCOTRON, 145 AMP, DYNAMOTE PWR INVERTED	W/145 AMP (LO7)
L11	77	77	ENGINE ASM, 140 C.I.D. OHC L4	(140)
L13	76	76	ENGINE ASM, 140 C.I.D. L4	(140)
L17	82	84	ENGINE ASM, 1.6L L4	(1.6C)
L22	77	79	ENGINE ASM, 250 C.I.D. L6	(250)
L25	77	84	ENGINE ASM, 292 C.I.D. L6	(292T)
L26	78	79	ENGINE ASM, 200 C.I.D. V6	(200)
L27	77	79	ENGINE ASM, 301 C.I.D. V8	(301Y)
L32	77	77	ENGINE ASM, 350 C.I.D. V8	(350H)
L33	78	79	ENGINE ASM, 425 C.I.D. V8	(425)
L34	77	80	ENGINE ASM, 350 C.I.D. V8	(350R)
L35	78	79	ENGINE ASM, 425 C.I.D. V8 E.F.I.	(425)
L37	78	81	ENGINE ASM, 301 C.I.D. V8	(301W)
L39	79	82	ENGINE ASM, 267 C.I.D. V8	(267J)
L46	82	82	ENGINE ASM, 1.9L L4	(1.8G)
L48	77	80	ENGINE ASM, 350 C.I.D. V8	(350)
L49	78	80	ENGINE ASM, 350 C.I.D. V8	(350B)
L61	80	84	ENGINE ASM, 368 C.I.D. V8	(368-6)
L62	80	84	ENGINE ASM, 368 C.I.D. V8	(368-9)
L65	77	77	ENGINE ASM, 350 C.I.D. V8	(350G)
L69	83	83	ENGINE ASM, 5.0L V8	(305-7)
L69	84	84	ENGINE ASM, 5.0L V8	(305G)
L76	77	77	ENGINE ASM, 350 C.I.D. V8	(350P)
L77	77	77	ENGINE ASM, 350 C.I.D. V8	(350J)
L77	78	80	ENGINE ASM, 350 C.I.D. V8	(350X)
L77	81	81	ENGINE ASM, 350 C.I.D. V8	(350B)
L78	77	79	ENGINE ASM, 400 C.I.D. V8	(400)
L80	77	79	ENGINE ASM, 403 C.I.D. V8	(403)
L82	77	80	ENGINE ASM, 350 C.I.D. V8 SPL HI PERF	(350)
L83	82	84	ENGINE ASM, 5.7L V8	(5.7-8)
L91	76	81	EXPORT ENGINE	W/L91 (EXPORT)
L92	76	81	EXPORT ENGINE	W/L92 (EXPORT)
L93	76	81	EXPORT ENGINE, VENEZUELA	W/L93 (EXPORT)
MB1	84	84	TRANSMISSION, 5-SPD MAN	W/M.T. (MB1)
MB4	82	84	TRANSMISSION, 5-SPD MAN	W/M.T. (MB4)
MB6	82	84	TRANSMISSION, 5-SPD MAN	W/M.T. (MB6)
MC1	76	83	TRANSMISSION, H.D. 3-SPD MAN	W/M.T. (MC1)
MC4	76	81	TRANSMISSION, SPORT SHIFT	W/SPORT SHIFT (MC4)
MC5	85	85	TRANSMISSION, 5-SPD MAN	W/M.T. (MC5)
MD2	76	84	TRANSMISSION, 3-SPD AUTO	W/A.T. (MD2)
MD3	76	81	TRANSMISSION, AUTU, STRASBURG	W/A.T. (MD3)
MD8	76	84	TRANSMISSION, 4-SPD AUTO	W/A.T. (MD8)
MD9	76	84	TRANSMISSION, 3-SPD AUTO	W/A.T. (MD9)
ME9	82	84	TRANSMISSION, 4-SPD AUTO	W/A.T. (ME9)
MF4	84	84	TRANSFER CASE NP-205 (1.96 LOW RANGE)	W/MF4
MK2	82	84	TRANSMISSION, 4-SPD MAN	W/M.T. (MK2)
MK4	82	84	TRANSMISSION, 5-SPD MAN	W/M.T. (MK4)
MK5	82	84	TRANSMISSION, 5-SPD MAN	W/M.T. (MK5)
MK6	82	84	TRANSMISSION, 5-SPD MAN	W/M.T. (MK6)
MK7	82	84	TRANSMISSION, 5-SPD MAN	W/M.T. (MK7)
ML3	84	84	TRANSMISSION, 5-SPD MAN	W/M.T. (ML3)
ML8	84	84	TRANSMISSION, 5-SPD MAN	W/M.T. (ML8)
MM3	82	84	MERCHANDISING OPTION ONLY-DO NOT CATALOG	SEE VDS FOR AVAIL TRANS OPTION
MM4	82	84	MERCHANDISING OPTION ONLY-DO NOT CATALOG	SEE VDS FOR AVAIL TRANS OPTION
MM5	82	84	MERCHANDISING OPTION ONLY-DO NOT CATALOG	SEE VDS FOR AVAIL TRANS OPTION

## GM PRODUCTION OPTIONS

RPO	FY	LY	DIVISIONAL RPO DESCRIPTION	WDDGM RPO DESCRIPTION
WV7	82	84	MERCHANDISING OPTION ONLY-DO NOT CATALOG	SEE VDS FOR AVAIL TRANS OPTION
WV4	76	84	TRANSMISSION, 3-SPD AUTO	W/A T (WV4)
WV9	76	84	TRANSMISSION, 3-SPD AUTO	W/A T (WV9)
WV9	76	84	TRANSMISSION, 4-SPD AUTO	W/A T (WV9)
WX0	82	84	MERCHANDISING OPTION ONLY-DO NOT CATALOG	SEE VDS FOR AVAIL TRANS OPTION
WX1	82	84	MERCHANDISING OPTION ONLY-DO NOT CATALOG	SEE VDS FOR AVAIL TRANS OPTION
WX2	76	84	TRANSMISSION, AUTO	W/A T (WX2)
WX3	76	81	TRANSMISSION, 3-SPD AUTO W/LK UP CONV	W/A T (WX3)
WX5	82	83	TRANSMISSION, AUTO	W/A T (WX5)
MY1	76	84	TRANSMISSION, 4-SPD MAN	W/M T (MY1)
MY6	76	84	TRANSMISSION, 4-SPD MAN	W/M T (MY6)
MY7	76	84	TRANSMISSION, 5-SPD MAN	W/M T (MY7)
MY8	76	84	TRANSMISSION, 4-SPD MAN	W/M T (MY8)
MO8	82	84	TRANSMISSION, 4-SPD MAN	W/M T (MO8)
M11	76	81	SHIFT, FLOOR	W/FLR SHIFT (M11)
M15	76	81	TRANSMISSION, 3-SPD MAN	W/M T (M15)
M16	76	81	TRANSMISSION, 3-SPD MAN	W/M T (M16)
M17	76	84	TRANSMISSION, 4-SPD MAN	W/M T (M17)
M18	76	83	TRANSMISSION, 4-SPD MAN	W/M T (M18)
M19	76	84	TRANSMISSION, 4-SPD MAN	W/M T (M19)
M20	76	84	TRANSMISSION, 4-SPD MAN	W/M T (M20)
M21	76	81	TRANSMISSION, 4-SPD MAN	W/M T (M21)
M24	76	83	TRANSMISSION, 4-SPD MAN	W/M T (M24)
M26	76	84	TRANSMISSION, 4-SPD MAN	W/M T (M26)
M27	76	81	TRANSMISSION, 4-SPD MAN	W/M T (M27)
M29	76	81	TRANSMISSION, 3-SPD AUTO	W/A T (M29)
M31	76	84	TRANSMISSION, 3-SPD AUTO	W/A T (M31)
M32	76	81	TRANSMISSION, 3-SPD AUTO	W/A T (M32)
M33	76	81	TRANSMISSION, 3-SPD AUTO	W/A T (M33)
M34	76	83	TRANSMISSION, 3-SPD AUTO	W/A T (M34)
M38	76	81	TRANSMISSION, 3-SPD AUTO	W/A T (M38)
M40	76	84	TRANSMISSION, 3-SPD AUTO	W/A T (M40)
M51	76	81	STEERING SYSTEM, MAN	(EXC P.S.)
M57	76	84	TRANSMISSION, 4-SPD AUTO	W/A T (M57)
M62	76	84	TRANSMISSION, 3-SPD MAN	W/M T (M62)
M63	76	81	TRANSMISSION, 3-SPD MAN	W/M T (M63)
M64	76	84	TRANSMISSION, 3-SPD MAN	W/M T (M64)
M67	76	81	TRANSMISSION, 4-SPD MAN	W/M T (M67)
M73	76	84	TRANSMISSION, 4-SPD MAN	W/M T (M73)
M75	76	84	TRANSMISSION, 5-SPD MAN	W/M T (M75)
M77	76	84	TRANSMISSION, 4-SPD MAN	W/M T (M77)
NA2	76	81	EMISSION SYSTEM, STANDARD	W/FED (NA2)
NA5	76	84	EMISSION SYSTEM, FED	W/FED (NA5)
NA6	76	84	EMISSION SYSTEM, ALT	W/ALT (NA6)
NA9	76	84	EMISSION CONTROL, EVAPORATIVE	W/E E.S (NA9)
NB1	76	84	EMISSION CONTROL, CLOSED LOOP	W/CLSD LOOP (NB1)
NB2	76	84	EMISSION SYSTEM, CALIF	W/CALIF (NB2)
NB5	76	83	EXHAUST SYSTEM, SINGLE	W/SINGLE EXH (NB5)
NB9	84	84	FILTR SYSTEM, FUEL	W/NB9
NC3	84	84	TAILPIPE MODIFICATIONS (EXPORT)	W/NC3 (EXPORT)
NC6	76	81	EXHAUST SYSTEM, SPORTY	W/SPORT EXH (NC6)
NC8	76	84	EMISSION SYSTEM, INTERNAL EGR (DIESEL)	W/INTERNAL EGR (NC8)
ND1	76	84	TANK, FUEL 86 LITER	W/86 LITER TK (ND1)
NE2	76	84	TANK, FUEL 40 GAL	W/40 GAL TK (NE2)
NF1	76	83	TANK, FUEL 69 LITER	W/69 LITER TK (NF1)
NF2	76	84	TANK, FUEL 75 LITER	W/75 LITER TK (NF2)
NF9	84	84	HEAT SHIELD, EXHAUST SYSTEM TO GROUND	W/EXH HT SHLD (NF9)
NG1	76	84	TANK, FUEL 76 LITER	W/76 LITER TK (NG1)
NH1	76	84	TANK, FUEL 83 LITER	W/83 LITER TK (NH1)
NH7	76	84	TANK, FUEL 103 LITER	W/103 LITER TK (NH7)
NH8	76	83	TANK, FUEL 69 LITER	W/69 LITER TK (NH8)
NK1	76	84	TANK, FUEL 69 LITER	W/69 LITER TK (NK1)
NK2	76	81	TANK, FUEL 79 LITER	W/79 LITER TK (NK2)
NK2	82	84	TANK, FUEL 76 LITER	W/76 LITER TK (NK2)
NK3	76	84	WHEEL, STRG (FORMULA)	W/FORMULA WHL (NK3)
NK4	76	83	WHEEL, STRG (SPORT LEATHER)	W/NK4
NK5	76	84	WHEEL, STRG (STD)	W/NK5
NK6	76	84	TANK, FUEL 83 LITER	W/83 LITER TK (NK6)
NK7	76	84	TANK, FUEL 31 GAL	W/31 GAL TK (NK7)
NK8	76	84	TANK, FUEL 96 LITER	W/96 LITER TK (NK8)
NL2	76	84	TANK, AUX FUEL (VAR 2)	W/AUX TK (NL2)
NL7	76	84	TANK, FUEL 33 GAL	W/33 GAL TK (NL7)

## GM PRODUCTION OPTIONS

RPO	FY	LY	DIVISIONAL RPO DESCRIPTION	WDDGM RPO DESCRIPTION
NL8	76	81	TANK, FUEL 24 GALLON RR MOUNTED	W/RR MT. TK(NL8)
NM1	83	84	SWITZERLAND/SWEDEN EMISSION PROVISION	W/NM1(EXPORT)
NM4	76	84	EMISSION CONTROL, NON-CLOSED LOOP	W/NM4(EXPORT, CANADA)
NM5	76	84	EMISSION SYSTEM, NON-CLOSED LOOP(CANADA)	W/NM5(EXPORT, CANADA)
NM6	76	84	EMISSION CONTROL, CANADA RECALIBRATION	W/NM6(EXPORT, CANADA)
NM8	76	84	EMISSION MODIFICATION, UNLEADED GAS CONV	W/NM8(EXPORT)
NM9	76	81	DIESEL EMISSION SYSTEM, EXTERNAL EGR	W/EXTERNAL EGR(NM9)
NN1	76	84	EMISSION SYSTEM, DUAL BED MONALITHE CONV	W/NN1
NN2	76	81	EMISSION SYSTEM, SINGLE BED MONALITHE CONV	W/NN2
NN3	76	84	EMISSION SYSTEM, SINGLE BED BEAD CONV	W/NN3
NN4	82	83	TANK, FUEL 60 GAL	W/60 GAL TK(NN4)
NN6	82	84	EGR, REVERSE FLOW	W/NN6
NN7	82	84	FUEL FILLER DOOR-DELETE LOCK	(EXC FIL DR LK)
NN9	82	84	EMISSION SYSTEM, LEADED FUEL(EXPORT)	W/NN9(EXPORT)
NP1	76	81	V6 ECONOMY EQUIPMENT	W/FUEL ECON EQUIP(NP1)
NP5	76	84	WHEEL, STRG(LEATHER WRAPPED)	W/NP5
NP7	82	84	STEERING COLUMN	W/NP7(EXPORT)
NQ5	84	85	CAP, STEERING WHEEL HORN DELUXE	W/DLX HORN CAP(NQ5)
NV5	84	84	SHIELD, DIFFERENTIAL CARRIER	W/NV5
NX1	82	84	WHEEL, 13X5 PA(HSLA STL)	W/PA WHL(NX1)
NY1	76	84	PLATE, FUEL TK SHIELD & SKID	W/NY1
NY2	84	84	STEERING, SLOW RATIO	W/NY2
NY6	76	84	GEAR, P.S. TYPE 605	W/P.S.(NY6)
NY7	76	84	SHIELD, TRFR CASE	W/NY7
NY8	76	84	GEAR, P.S. TYPE 800	W/P.S.(NY8)
NO4	76	84	LOCK, GAS CAP REM CONT	W/N04
NO5	76	84	CAP, LK GAS(EXPORT)	W/LK CAP(N05)(EXPORT)
NO8	76	84	FILLER, FUEL TK DR REM CONT LK	W/LK DR FIL(N08)
NO9	82	84	LOCK, FUEL FIL DR	W/FIL DR LK(N09)
N10	76	84	EXHAUST SYSTEM, DUAL	W/DUAL EXH(N10)
N16	76	83	EMISSION SYSTEM, INTERNAL EGR W/E P.R.	W/N16
N18	82	84	LOCKING KIT, SIMULATED WIRE WHL CVR	W/LK WHL CVR(N18)
N20	76	81	TANK, FUEL 50 GAL	W/50 GAL TK(N20)
N23	82	84	TANK, FUEL 83 LITER(22 GAL)	W/83 LITER TK(N23)
N24	82	84	WHEEL, CAST ALUM	W/ALUM WHL(N24)
N30	76	84	WHEEL, STRG(DLX)	W/DLX STRG WHL(N30)
N31	76	84	WHEEL, STRG(CUST)	W/CUST STRG WHL(N31)
N32	76	84	WHEEL, STRG(CUST)	W/CUST STRG WHL(N32)
N33	76	84	COLUMN, STRG(TILT TYPE)	W/TILT WHL(N33)
N34	76	84	WHEEL, STRG(CUST SPORT)	W/SPORT STRG WHL(N34)
N36	82	84	WHEEL, STRG(SPORT)	W/SPORT STRG WHL(N36)
N37	76	84	COLUMN, STRG(TILT & TELESCOPIC)	W/T&T WHL(N37)
N40	76	84	STEERING, HYD(NON-VARIABLE)	W/P.S.(N40)
N41	76	84	STEERING, HYD(VARIABLE RATIO)	W/P.S.(N41)
N46	84	84	WHEEL, STRG(4 SPOKE) VINYL	W/VNL STRG WHL(N46)
N49	76	81	WHEEL, STRG, CAP ONLY, SPORTY	W/SPORT STRG WHL(N49)
N51	76	81	STEERING, MAN	W/MAN STRG(N51)
N51	82	84	STEERING, MAN	(EXC P.S.)
N60	76	84	WHEEL, ALUM	W/ALUM WHL(N60)
N65	76	84	WHEEL & TIRE, STOWAWAY SPA	W/STOWAWAY SPA(N65)
N66	84	84	WHEEL, RALLY TYPE	W/RALLY WHL(N66)
N66	76	83	WHEEL, RALLY TYPE(VAR 1)	W/STYLED SPORT WHL(N66)
N67	76	84	WHEEL, RALLY TYPE(VAR 2)	W/RALLY WHL(N67)
N68	76	81	SPARE TIRE & WHL, CONVENTIONAL	W/SPA TIRE(N68)
N69	76	81	WHEEL, GOLD STYLED 13 X 6.00	W/GOLD STYLED WHL(N69)
N70	82	84	WHEEL, PAINTED(13X5.5)	W/PA WHL(N70)
N71	82	83	WHEEL, CUST SPORT	W/CUST WHL(N71)
N72	76	83	WHEEL, CUST SPORT(15 IN)	W/CUST WHL(N72)
N73	76	81	WHEEL EQUIPMENT, CUSTOM SPORT	W/CUST SPORT(N73)
N77	76	81	WHEELS, 13 X 6 ALUM HUB CAPS & WHL NUTS	W/ALUM WHL(N77)
N78	76	84	WHEEL, ALUM CAST(14X6)	W/ALUM WHL(N78)
N81	76	84	TIRE, SPA(FULL SIZE RADIAL)	W/RADIAL SPA(N81)
N82	76	81	WHEEL EQUIPMENT, CUST SPORT, 15 X 6.0	W/CUST SPORT(N82)
N83	76	84	WHEEL, CUST SPORT(15X7)(CHR STYLED)	W/CUST SPORT WHL(N83)
N84	84	84	SPARE TIRE (DELETE)	(EXC SPA TIRE)
N85	82	84	WHEEL, H.D.(14X6)	W/H.D. WHL(N85)
N86	82	84	WHEEL, POLYCAST(13X5.5)	W/POLYCAST WHL(N86)
N89	76	84	WHEEL, TURBO ALUM	W/TURBO ALUM WHL(N89)
N90	76	84	WHEEL, ALUM	W/ALUM WHL(N90)
N91	76	84	COVER, W/LK, SIMULATED WIRE WHL	W/SIM WIRE WHL LK CVR(N91)
N92	76	81	COVER, SIM WIRE WHL, COLOR CODED	W/SIM WIRE WHL(N92)
N94	76	81	SIMULATED WIRE WHL DISC, 14 IN.	W/SIM WIRE WHL(N94)
N95	76	84	COVER, SIMULATED WIRE WHL	W/SIM WIRE WHL(N95)

## GM PRODUCTION OPTIONS

RPO	FY	LY	DIVISIONAL RPO DESCRIPTION	WDDGM RPO DESCRIPTION
N96	76	81	COVER, SIM CHROME WHEEL 15 IN.	W/SIM CHR WHL(N96)
N96	84	84	WHEEL, ALUMINUM CAST 16 X 8	W/CAST WHL(N96)
N97	76	84	WHEELS, H. D. (15X7)	W/N97
N98	76	84	WHEEL, RALLY II ROAD(CHR)	W/RALLY II WHL(N98)
N99	76	84	WHEEL, H. D. (15X6)	W/N99
PA1	75	81	COVER, WHEEL TR, WIRE 15 IN. (BUICK)	W/SIM WIRE(PA1)
PA1	76	81	COVER, WHEEL TR, DELUXE 15 IN. (OLDS)	W/DLX CVR(PA1)
PA1	82	84	COVER, DLX WHL TR(15 IN)	W/DLX CVR(PA1)
PA3	76	81	COVER, DELUXE WHEEL TR, 13, 14 OR 15 IN.	W/DLX CVR(PA3)
PA4	76	84	CAPS, HUB WHLCVR(PAINTED)	W/PA CAP(PA4)
PA5	88	4	CAP, HUB(SPORT)	W/SPORT CAP(PA5)
PA6	76	84	WHEEL, STYLED(PAINTED)	W/STYLED WHL(PA6)
PB1	76	84	DISC, WHL(15 IN)	W/DLX DISC(PB1)
PB2	76	84	COVER, WHL TR(ABS PLSTC)(15 IN)	W/DLX CVR(PB2)
PB4	82	84	LOCK KIT, ALUM WHL	W/PB4
PB5	82	84	WHEEL, 13X5.5 MILD STL	W/PB5
PB6	82	84	WHEEL, INCREASED SIZE(14")	W/PB6
PB7	82	84	WHEEL, 14 X 6 PAINTED STYLE	W/STYLED WHL(PB7)
PC1	76	84	WHEEL, 14X6(COLOR CODED)	W/PC1
PC3	76	81	WHEEL, 14 X 6 POLYCAST	W/POLYCAST WHL(PC3)
PC6	82	84	WHEEL, 14X5.5	W/PC6
PD7	84	84	WHEEL, 14 X 6.5 CAST ALUMINUM	W/CAST ALUM(PD7)
PD8	85	85	WHEEL, 14 X 6 STYLED ALUM	W/STYLED ALUM WHL(PD8)
PD9	84	84	WHEEL, 13 X 5.0 MILD STEEL	W/PD9
PE1	76	84	WHEEL, 14 X 7 POLYCAST	W/POLYCAST WHL(PE1)
PE2	76	81	WHEEL, 15 X 7 POLYCAST, COLOR CODED	W/POLYCAST WHL(PE2)
PE3	76	81	WHEEL, 14 X 7 POLYCAST, COLOR	W/POLYCAST WHL(PE3)
PE4	76	83	WHEEL, 14X7 POLYCAST(TURBINE DES)	W/POLYCAST WHL(PE4)
PE5	82	83	WHEEL, RALLY V	W/RALLY WHL(PE5)
PG3	82	84	WHEEL, 14 X 6.5 FORGED ALUM	W/FORGED ALUM(PG3)
PG4	82	84	WHEEL, 14 X 5.5 ALUMINUM	W/ALUM WHL(PG4)
PG5	82	84	WHEEL, 15X6 CAST ALUM	W/CAST WHL(PG5)
PG9	82	84	WHEEL, LIGHT METAL ALLOY	W/PG9
PH1	82	84	WHEEL, 15X7JJ	W/PH1
PH2	76	84	WHEEL, 15X6JJ	W/PH2
PH4	76	81	WHEEL, 15 X 7, STL STYLED	W/STYLED WHL(PH4)
PH5	84	84	WHEEL, 14 X 6 FORGED ALUMINUM	W/ALUM WHL(PH5)
PH6	82	84	WHEEL, 15X6	W/PH6
PH7	82	83	WHEEL, 15X7 FORGED ALUM	W/ALUM WHL(PH7)
PH8	76	84	WHEEL, WIRE	W/WIRE WHL(PH8)
PX1	84	84	WHEEL, 13 X 5.5 CAST ALUMINUM	W/CAST ALUM(PX1)
PX2	82	84	WHEEL, RR(ALUM)	W/ALUM WHL(PX2)
PX3	83	83	WHEEL, 13 X 5 HSLA	W/PX3
PY4	84	84	WHEEL, 14 X 5.5 LIGHT METAL ALLOY	W/PY4
P01	76	84	COVER, DLX WHL TR	W/DLX CVR(P01)
P02	76	84	COVER, CUST WHL TR	W/CUST CVR(P02)
P03	76	84	CAP, BRI METAL HUB	W/BRI CAP(P03)
P05	76	81	WHEEL, CHROME (BUICK)	W/CHR WHL(P05)
P05	76	81	WHEEL, HONEYCOMB (PONTIAC)	W/HONEYCOMB WHL(P05)
P05	82	84	WHEEL, CHR	W/CHR WHL(P05)
P06	76	84	RING, WHL TR	W/TR RG(P06)
P08	76	84	COVER, WHL(SUPER DLX)	W/SUPER DLX CVR(P08)
P10	76	84	CARRIER, SPA TIRE	W/FRM MT WHL CARR(P10)
P11	76	84	CARRIER, GLIDE OUT SPA TIRE	W/GLIDE OUT WHL CARR(P11)
P12	76	84	WHEEL, 14X6 CHR	W/CHR WHL(P12)
P13	76	84	CARRIER, SPA TIRE SI MT	W/SI MT WHL CARR(P13)
P14	76	84	CARRIER, I/S MT SPA TIRE, LH	W/I/S MT LH WHL CARR(P14)
P15	82	84	CARRIER, I/S MT SPA TIRE, RR	W/I/S MT RR WHL CARR(P15)
P17	76	84	COVER, SPA WHL & TIRE	W/P17
P20	82	83	CAP, BRI ALUM HUB	W/BRI CAP(P20)
P41	82	84	TIRE (EXPORT)	W/P41(EXPORT)
P42	82	84	TIRE, SELF SEALING	W/P42
QE6	84	84	WHEEL, 16.5 X 6	W/QE6
Q34	76	84	WHEEL, 19.5 X 6	W/Q34
R04	76	84	WHEELS, SINGLE RR	W/SINGLE RR WHLS(R04)
R05	82	84	WHEELS, DUAL RR CONVERSION	W/DUAL RR WHLS(R05)
TL1	76	84	GRILLE, SPL	W/SPL GRL(TL1)
TL4	76	81	GRILLE, PAINTED	W/PA GRL(TL4)
TL4	82	82	GRILLE, CUSTOM	W/CUST GRL(TL4)



MICROFICHE INDEX  
GROUPS 6.000 THRU 8.000  
FICHE 4 OF 6

<u>GROUP DESCRIPTION</u>	<u>STARTING GRID LOCATION</u>	
	<u>PARTS</u>	<u>ILLUSTRATIONS</u>
- INTRODUCTION .....	A-6	H-2
- GENERAL INFORMATION .....	A-2	H-2
- ALPHABETICAL INDEX .....	C-11	N.A.
- INDEX FOR ADDITIONAL INFORMATION .....	A-5	N.A.
6.000 FRONT SUSPENSION - STEERING .....	E-2	H-6
7.000 FRAME - SPRINGS - SHOCKS - BUMPERS .....	F-2	J-2
8.000 FRONT END SHEET METAL - HEATER .....	G-5	L-2
- OUT OF FICHE CALLS .....	N.A.	M-11

**C-1**

## GM PRODUCTION OPTIONS

RPO	FY	LY	DIVISIONAL RPO DESCRIPTION	WDDGM RPO DESCRIPTION
TL4	83	84	GRILLE PAINTED	W/PA GRL(TL4)
TL6	76	84	GRILLE BLACK	W/BLK GRL(TL6)
TN4	82	83	ROD, HOOD OPEN ASSIST	W/HOOD ASST ROD(TN4)
TP1	76	81	BATTERY, HIGH CAPACITY	W/BAT(TP1)
TP2	76	84	BATTERY, AUX CAMPER	W/AUX BAT(TP2)
TR9	76	84	LAMP GROUP	W/TR9
TT4	82	84	HEADLAMPS, TUNGSTEN QUARTZ HALOGEN	W/QUARTZ HDLP(TT4)
TT5	76	84	HEADLAMPS, TUNGSTEN QUARTZ HALOGEN	W/QUARTZ HDLP(TT5)
TU2	76	84	LAMP, RR MKR	W/RR MKR LP(TU2)
T38	76	84	LAMPS, PK & TURN SIG(AMBER LENS)	W/T38
T41	82	84	SHEET METAL, FRT END SPECIAL	W/T41
T43	84	84	SPOILER, REAR	W/RR SPLR(T43)
T44	76	83	LOCK, INTR OPER HOOD	W/T44
T45	76	84	HOOD, ALUM.	W/ALUM HOOD(T45)
T46	76	83	HOOD, STL	W/STL HOOD(T46)
T47	76	84	HOOD, TURBO ALUM	W/TURBO HOOD(T47)
T48	76	81	HOOD, RAM AIR SHAKER	W/T48
T48	82	83	HOOD, SPORT STEEL	W/SPORT STL HOOD(T48)
T52	76	84	ORNAMENT, FRT FDR	W/T52
T63	76	84	BUZZER, HDLP ON WRNG	W/HDLP WPNG(T63)
T70	76	81	HEADLAMPS, LHR ROUND(EXPORT)	W/T70(EXPORT)
T72	76	84	HEADLAMPS, LH(2 RECTANGULAR)(EXPORT)	W/T72(EXPORT)
T79	82	84	LAMPS, RR FOG(EXPORT)	W/T79(EXPORT)
T80	76	84	HEADLAMPS, AUTO BEAM CONT	W/GUIDOMATIC(T80)
T81	82	84	LAMP, DLX TAIL & STOP	W/DLX LP(T81)
T82	76	84	SENTINEL, TWILIGHT	W/TWILIGHT SENT(T82)
T83	75	84	HEADLAMP, DR(SPL)	W/T83
T84	76	84	HEADLAMP, RH RULE OF ROAD(EXPORT)	W/T84(EXPORT)
T85	76	84	HEADLAMP, LH RULE OF ROAD(EXPORT)	W/T85(EXPORT)
T86	84	84	LAMPS, BACKUP	W/T86
T87	76	84	LAMP, COR	W/COR LP(T87)
T89	82	84	LAMP, SIG & MKG(EXPORT)	W/T89(EXPORT)
T90	76	84	LAMP, SIG & MKG(EXPORT)	W/T90(EXPORT)
T93	76	84	LAMP, TAIL & STOP(SPECIAL)	W/SPL TAIL & STOP LP(T93)
T96	82	84	LAMPS, FRT FOG	W/T96
UA1	76	84	BATTERY, H. D.	W/H. D. BAT(UA1)
UA2	76	84	SENTINEL, MILES PER GAL DIGITAL READOUT	W/UA2
UA6	76	84	DETERRENT SYSTEM, THEFT	W/ANTI-THEFT(UA6)
UA8	82	84	BATTERY, SYSTEM RESV PWR	W/RESV PWR BAT(UA8)
UB7	76	81	CLUSTER ASM, TRIP ODOMETER	W/TRIP ODOM(UB7)
UB8	82	84	HORN PACKAGE	W/HORN(UB8)
UD1	82	84	CLUSTER, I/P(OIL & WAT)	W/GA(UD1)
UD2	84	84	CLUSTER, I/P(VEHICLE SPEED(105 KPH)(EXPORT)	W/105 ALARM(UD2)(EXPORT)
UD4	84	84	CLUSTER, I/P(VEHICLE SPEED(120 KPH)(EXPORT)	W/120 ALARM, 74)(EXPORT)
UD6	84	84	CLUSTER, I/P(EMP, EXHAUST)	W/UD6(EXPORT)
UD8	76	84	CLOCK, VAC FLORESCENT DIGITAL	W/DIGIT CLK(UD8)
UE8	76	84	CLOCK, ELEC DIGITAL	W/DIGIT CLK(UE8)
UF2	76	84	LAMP, CARGO	W/CARGO LP(UF2)
UF3	76	81	LAMP, SUN VISOR SUPPORT MAP	W/MAP LP(UF3)
UF7	76	84	GAGF, I/P((EXC TAC4)	W/GA(UF7)
UH1	76	81	EL. TRONIC LAMP MONITORING SYSTEM	W/LP MONITOR(UH1)
UH9	84	84	CLUSTER, I/P(WAT TEMP, TRIP ODO, TURBO BOOS)	W/GA(UH9)
UJ1	82	84	INDICATOR, BRAKE WARNING SYSTEM	W/IND(UJ1)
UJ3	76	84	INDICATOR, WATER IN FUEL	W/IND(UJ3)
UJ5	82	84	CLUSTER, I/P(WAT TEMP, TRIP ODO & VOLTMETER	W/GA(UJ5)
UJ9	84	84	CLUSTER, I/P(COOL TEMP, VOLT, TACH)	W/GA(UJ9)
UK1	82	84	RADIO FREQUENCY(JAPANESE)	W/UK1(EXPORT)
UK2	82	84	LEVER, DIR SIG(EXPORT)	W/UK2(EXPORT)
UK3	84	84	ELECTRONIC SYSTEM, ACCESSORY CONTROL	W/ELEK ACSRY CONT(UK3)
UL1	82	84	RADIO, AM/FM STEREO(W/D SEEK/SCAN)	W/STEREO(UL1)
UL2	82	84	RADIO FREQUENCY(EUROPEAN)	W/UL2(EXPORT)
UL3	82	83	RADIO, W/DIGITAL CLK, AM/FM STEREO	W/STEREO(UL3)
UL5	82	84	RADIO, DELETE	(EXC RDO)
UL6	82	84	RADIO, W/CLK, AM PUSHBUTTON	W/MONO(UL6)
UL7	82	83	RADIO, AM/FM PUSHBUTTON W/DIGITAL CLK	W/MONO(UL7)
UL8	82	83	RADIO, W/DIGITAL CLK, AM/FM STEREO TAPE	W/STEREO(UL8)
UL9	82	84	RADIO, W/DIGITAL CLK, AM/FM STEREO CASSETTE	W/STEREO(UL9)
UM1	76	83	RADIO, AM PUSHBUTTON TAPE	W/STEREO(UM1)
UM2	76	83	RADIO, AM/FM STEREO PUSHBUTTON TAPE	W/STEREO(UM2)
UM3	76	81	RADIO, AM/FM STEREO, CLOCK & C. B.	W/C. B. (UM3)
UM4	76	84	RADIO, W/DIGITAL CLK, AM/FM STEREO TAPE ETP	W/STEREO(UM4)
UM5	76	83	RADIO, W/CLK, AM/FM STEREO TAPE, RES C. B.	W/C. B. (UM5)

## GM PRODUCTION OPTIONS

RPO	FY	LY	DIVISIONAL RPO DESCRIPTION	WDDGM RPO DESCRIPTION
UM6	76	84	RADIO, AM/FM STEREO CASSETTE ETR	W/STEREO(UM6)
UM7	76	84	RADIO, AM/FM STEREO ETR W/DIGITAL READOUT	W/STEREO(UM7)
UM8	82	84	RADIO, AM/FM STEREO TAPE ETR	W/STEREO(UM8)
UN1	76	83	RADIO, AM/FM STEREO CASSETTE, C. B.	W/C B. (UN1)
UN2	76	81	RADIO, AM/FM STEREO SIGNAL SEEKING	W/STEREO(UN2)
UN3	76	81	RADIO, AM/FM STEREO CASSETTE	W/STEREO(UN3)
UN3	82	84	RADIO, AM/FM STEREO CASSETTE	W/STEREO(UN3) (EXPORT)
UN4	76	84	CARTRIDGE, DELETE (EXPORT)	W/UN4 (EXPORT)
UN5	76	84	RADIO, AM/FM STEREO CASSETTE, C. B. ETR	W/C B. (UN5)
UN8	76	84	RADIO, C. B.	W/C B. (UN8)
UN9	76	84	RADIO SUPPRESSION EQUIP	W/UN9
UP1	76	83	RADIO, AM/FM STEREO TAPE, C. B.	W/C B. (UP1)
UP4	76	81	RADIO, AM/FM STEREO C. B.	W/C B. (UP4)
UP5	76	81	RADIO, AM/FM MONO C. B.	W/C B. (UP5)
UP6	76	84	RADIO, AM/FM STEREO C. B.	W/C B. (UP6)
UP7	76	84	RADIO, MONUARAL INSTL PROVISIONS	W/UP7
UP8	76	84	RADIO, STEREO INSTL PROVISIONS	W/UP8
JO1	76	84	RADIO, STEREO ETR INSTL PROVISIONS	W/UQ1
JO2	76	81	RADIO, FULL FEATURE STEREO	W/UQ2
JO3	76	81	AUDIO PWR BOOSTER	W/AUDIO PWR BOOSTER(UQ3)
UQ4	82	84	SPEAKER SYSTEM, BOSE 4-SPKR W/AMPS	W/UQ4 (BOSE)
UQ5	84	84	SPEAKER, 4 FRT DOOR COAX RR 1/4 E. R.	W/UQ5
UQ7	84	84	SPEAKER SYSTEM, SUBWOOFER	W/UQ7
UQ9	84	84	SPEAKER SYSTEM (DELETE)	(EXC SPEAKER)
UR1	76	83	GAGE, FUEL ECON	W/ECON GA(UR1)
UR3	76	84	LIGHT, FUEL ECON IND	W/ECON IND(UR3)
UR4	76	81	GAGE, TURBO BOOST	W/TURBO BOOST GA(UR4)
US6	82	84	ANTENNA, FIXED MAST (BLACK)	W/FIXED ANT(US6) (BLACK)
US7	84	84	ANTENNA, POWER (BLACK)	(EXC C. B. ) (BLACK)
UT1	76	84	BUZZER, TONE GEN WRNG	W/UT1
UT2	84	84	RADIO, AM/FM STEREO ETR (REMOTE CONT)	W/STEREO(UT2)
UT3	84	84	RADIO, AM/FM STEREO ETR CASS (REMOTE CONT)	W/STEREO(UT3)
UT4	84	84	RADIO, AM/FM STEREO ETR CASS W/EO (REM CONT)	W/STEREO(UT4)
UU1	76	81	RADIO, AM/FM STEREO, MTR (FULL FEATURE)	W/UU1
UU2	76	81	RADIO, AM/FM STEREO, CASSETTE, MTR (FULL FEA)	W/UU2
UU3	76	81	RADIO, AM/FM STEREO, 8-TRACK, MTR (FULL FEA)	W/UU3
UU4	76	83	RADIO, AM/FM STEREO CASSETTE DIGITAL DISPLAY	W/STEREO(UU4)
UU5	76	83	EQUALIZER, STEREO GRAPHIC	W/UU5
UU6	82	84	RADIO, AM/FM STEREO CASSETTE ETR W/CLK	W/STEREO(UU6)
UU7	82	84	RADIO, AM/FM STEREO CASSETTE ETR	W/STEREO(UU7)
UU8	82	84	RADIO, AM/FM STEREO CASSETTE ETR (DOLBY)	W/STEREO(UU8)
UU9	82	84	RADIO-AM-FM STEREO, ETR, W/O SEEK/SCAN & CLK	W/STEREO(UU9)
UV1	84	84	REMINDER, VOICE SYNTHESIS	W/VOICE REMINDER(UV1)
UW1	82	84	CLUSTER, DIAGNOSTIC	W/DIAGNOSTIC(UW1)
UW4	84	84	SPEAKER SYSTEM, SIX (6), DUAL I/P & F/D	W/UW4
UW6	84	84	SHELF, DUAL EXT RANGE PKG	W/UW6
UW8	82	84	RETAINER, GARAGE DOOR TRANSMITTER	W/UW8
UW9	82	84	OPENER, GARAGE DR REM CONT	W/GARAGE DR OPENER(UW9)
UX6	76	84	SPEAKER, DUAL FHT DASH MT	W/UX6
UX7	76	84	SPEAKER, DUAL FRT DR MT, EXTENDED RANGE RR	W/UX7
UX9	76	81	SPEAKER, FRT	W/UX9
UY1	76	84	WIRING, CAMPER	W/CAMPER WRG(UY1)
UY7	76	84	WIRING, CAMPER H. D.	W/CAMPER WRG(UY7)
UY8	76	81	RADIO, AM/FM STEREO, DIGITAL CLK	W/STEREO(UY8)
UY9	76	84	SPEEDO, KILO/MILES MECH DISPLAY	W/SPEEDO(UY9)
UO1	76	84	LAMP, RF MKR	W/RF MKR LP(UO1)
UO2	76	84	SPEEDO, KILO/MILES (DIGITAL)	W/SPEEDO(UO2)
UO3	82	84	HORN, NOISE REG (EXPORT)	W/UO3 (EXPORT)
UO5	76	84	HORN, DUAL	W/DUAL HORNS(UO5)
UO9	82	84	HORN, FOURNOTE	W/FOURNOTE HORN(UO9)
U14	76	84	GAGE, I/P	W/RALLY GA(U14)
U16	76	84	TACHOMETER	W/TACH(U16)
U17	76	84	CLUSTER, INST/OIL, COOLANT, AMM, CLK, GAS, TACH	W/GA(U17)
U18	76	84	SPEEDO, I/P (EXPORT)	W/U18 (EXPORT)
U19	76	84	SPEEDO, I/P (CANADIAN)	W/SPEEDO(U19) (CANADIAN)
U21	76	84	CLUSTER, W/TACH, I/P	W/GA(U21)
U22	76	84	CLUSTER, I/P (EXC TACH)	W/GA(U22)
U23	76	84	SPEEDO, W/TRIP ODOM	W/TRIP ODOM(U23)
U25	76	84	LAMP, LUG COMPT	W/LUG COMPT LP(U25)
U26	76	84	LAMP, ENG COMPT	W/ENG COMPT LP(U26)
U27	76	84	LAMP, I/P COMPT	W/I/P COMPT LP(U27)
U28	76	84	LAMP, ASH TRAY	W/ASH TRAY LP(U28)
U29	76	84	LAMP, I/P CTSY	W/CTSY LP(U29)

## GM PRODUCTION OPTIONS

RPO	FY	LY	DIVISIONAL RPO DESCRIPTION	WDDGM RPO DESCRIPTION
U30	76	83	GAGE,AUX INST	W/GA(U30)
U35	76	84	CLOCK,ELEC (NON-DIGITAL)	W/STD CLK(U35)
U37	76	84	LIGHTER,CIGARETTE	W/U37
U38	76	83	WARNING,LOW COOLANT	W/CLNT WRNG(U38)
U40	76	84	TRIP MONITOR,DIGITAL READ OUT	W/DIGITAL ODOM(U40)
U41	76	84	INDICATOR,LOW FUEL	W/LOW FUEL IND(U41)
U46	76	84	MONITOR,EXTERNAL LAMP	W/LP MONITOR(U46)
U52	82	84	CLUSTER,I/P(ELECTRONIC)	W/DIGITAL(U52)
U57	76	81	PLAYER,TAPE	W/TAPE PLAYER(U57)
U58	76	84	RADIO,AM/FM STEREO PUSHBUTTON	W/STEREO(U58)
U63	76	84	RADIO,AM PUSHBUTTON	W/MONO(U63)
U64	76	84	SPEAKER,DUAL FRT DASH,DUAL STD RANGE RR	W/U64
U65	76	84	SPEAKER,4-DUAL FRT DR MT,DUAL STD RANGE RR	W/U65
U66	76	84	SPEAKER,DUAL FRT DASH MT,DUAL EXTD RANGE RR	W/U66
U67	76	81	RADIO,RR CONT	W/STEREO(U67)
U69	76	84	RADIO,AM/FM MONO PUSHBUTTON	W/MONO(U69)
U72	76	81	ANTENNA,AUTO PWR	W/PWR ANT(U72)
U73	76	84	ANTENNA,STD(FIXED MAST)	W/FIXED ANT(U73)
U74	76	81	ANTENNA,PWR RDO & C.B.	W/PWR ANT(U74)
U75	76	84	ANTENNA,PWR FDR	(EXC C.B.)
U76	76	84	ANTENNA,W/S EMBEDDED	W/W/S ANT(U76)
U79	84	84	SPEAKER,4 DUAL FRT COAX,DUAL ETR RR	W/U79
U80	76	84	SPEAKER RR AUX	W/RR AUX SPKR(U80)
U81	76	84	SPEAKER DUAL RR	W/DUAL RR SPKR(U81)
U83	76	84	ANTENNA,ELEC,RDO & 40 CHAN C.B.	W/C.B.
U89	76	84	HARNES,5-WIRE CAR TRLR WRG	W/5-WIRE TRLR CBL(U89)
U90	76	81	HARNES,RF FLASHER W/RF PNL REINF	W/RF FLSHR(U90)
U92	76	81	SPEAKERS,FRT DUAL & RR DUAL	W/U92
U93	82	83	ANTENNA,MAN AM/FM C.B. TRIBAND	W/MAN ANT(U93)
U94	76	83	CABLE,7-WIRE LIGHT TRLR(VAR 3)	W/7-WIRE TRLR CBL(U94)
U95	76	81	SPEAKERS,DOOR	W/U95
U96	76	84	SPEAKER,CONCERT SOUND(6 TOTAL)	W/U96
VA2	76	84	SUPPORT,RAD(STL)	W/STL RAD SUPT(VA2)
VA3	76	83	SUPPORT,RAD(ALUM)	W/ALUM RAD SUPT(VA3)
VB2	76	84	BUMPER,W/IMPACT STRIP,RR STEP(PAINTED)	W/PA STEP BPR(VB2)
VB3	76	84	BUMPER,W/IMPACT STRIP,RR STEP(CHR)	W/CHR STEP BPR(VB3)
VB4	76	84	SAUDI ARABIA PKG(EXPORT)	W/VB4(EXPORT)
VD1	76	84	EUROPEAN MODIFICATIONS(EXPORT)	W/VD1(EXPORT)
VD2	76	81	MOLDING,BPR	W/MLDG(VD2)
VD4	82	83	REINFORCEMENT,FRT BPR(STL)	W/STL FRT BPR REINF(VD4)
VD5	82	84	REINFORCEMENT,RR BPR(STL)	W/STL RR BPR REINF(VD5)
VD6	82	84	REINFORCEMENT,FRT BPR(ALUM)	W/ALUM FRT BPR REINF(VD6)
VD7	82	84	REINFORCEMENT,RR BPR(ALUM)	W/ALUM RR BPR REINF(VD7)
VE1	76	84	JAPANESE MODIFICATIONS(EXPORT)	W/VE1(EXPORT)
VE5	76	84	STRIP,FRT & RR BPR IMPACT	W/IMPACT STR(VE5)
VE6	76	84	BUMPER,FRT & RR PA(W/IMPACT STRIPS)	W/FRT & RR PA BPR(VE6)
VF1	76	84	BUMPER,RR CHR	W/CHR BPR(VF1)
VF5	76	81	BUMPER,CAR COLOR	W/RUB BPR STR(VF5)
VF6	76	84	BUMPER,RR STEP	W/STEP BPR(VF6)
VF9	76	81	BUMPER,FRT & RR RUB PROTECTED,W/GUARDS	W/VF9
VG3	76	84	STRIP,FRT BPR IMPACT	W/IMPACT STR(VG3)
VG5	76	84	STRIP,RR BPR IMPACT	W/IMPACT STR(VG5)
VG7	76	81	REINFORCEMENT,FRT BPR	W/FRT BPR REINF(VG7)
VG8	76	81	REINFORCEMENT,RR BPR(CALIF & FLORIDA)	W/RR BPR REINF(VG8)
VG9	76	81	GUARD,FRT BPR	W/GUARD(VG9)
VH6	82	84	BLACK BUMPER	W/BLK BPR(VH6)
VH7	84	84	BUMPER,CUSTOM	W/CUST BPR(VH7)
VID	76	81	RADIO,AM/FM STEREO & TAPE W/O EJECT	W/STEREO(VID)
VJ5	82	84	MOUNTING,LICENSE PLATE	W/LIC MTG(VJ5)(EXPORT)
VJ6	82	84	POCKET,LIC PLT RR	W/RR LIC PLT PKT(VJ6)
VJ7	82	84	BRACKET,W/LAMP,RR LIC PLT	W/RR LIC PLT BRKT & LP(VJ7)
VJ9	76	84	CALIFORNIA EMISSION COMPLIANCE INFORMATION	W/CALIF(VJ9)
VK1	76	83	PLATE,FRT LIC MT PKG-DELETE	(EXC FRT PLT MT PKG)
VK3	76	84	MOUNTING,FRT LIC PLT	W/FRT LIC MT(VK3)
VL4	84	84	PLATE,FRT MTG LIC	W/VL4(EXPORT)
VN1	76	81	CALIF MODIFICATIONS	W/VN1
VN2	76	81	GEORGIA MODIFICATIONS	W/VN2
VN3	76	81	FLORIDA MODIFICATIONS	W/VN3
VP1	82	83	SPOILER,LWR FRT	W/FRT SPLR(VP1)
VP6	82	83	NOISE LEVEL CONTROL	W/VP6
VR2	76	84	HITCH,TRLR(DEAD WT)	W/STD HITCH(VR2)
VR4	76	84	HITCH,TRLR(WT DISTRIBUTING PLTF)	W/EQLZR HITCH(VR4)

## GM PRODUCTION OPTIONS

RPO	FY	LY	DIVISIONAL RPO DESCRIPTION	WDDGM RPO DESCRIPTION
VR5	76	81	BALL, TRAILER HITCH (1 7/8")	W/1 7/8" BALL (VR5)
VR6	76	81	BALL, TRAILER HITCH (2")	W/2" BALL (VR6)
VT3	76	84	BUMPER, W/IMPACT STR, FRT PAINTED(DLX)	W/FRT PA BPR(VT3)
VT4	76	84	BUMPER, W/IMPACT STR, RR PAINTED(DLX)	W/RR PA BPR(VT4)
VT7	82	84	EXPORT, UNREGULATED COUNTRIES	W/VT7 (EXPORT)
VU9	84	84	FLASHLITE MTG	W/VU9 (EXPORT)
V1H	76	81	PAINT, TWO TONE	W/TWO TONE (V1H)
V4S	76	81	DELEGANCE	W/DELEGANCE (V4S)
V4S	83	85	BROUGHAM DELEGANCE	W/BROUGHAM DELEGANCE (V4S)
V4T	76	84	DELEGANCE	W/DELEGANCE (V4T)
V4W	76	84	DISC, WHL TURBINE	W/WHL DISC (V4W)
VC1	76	84	RADIATOR, H. D.	W/H. D. C. (V01)
V02	76	84	RADIATOR, H. D. W/H. D. TRANS OIL COOLER	W/H. D. C. (V02)
V03	82	84	RADIATOR, EXTRA CAPACITY COOLING	W/H. D. C. (V03)
V05	76	84	COOLING, H. J.	W/H. D. C. (V05)
V08	76	84	RADIATOR, H. D. COOLING	W/H. D. C. (V08)
V10	82	84	COLD CLIMATE PKG	W/COLD CLIMATE (V10)
V13	82	84	COLD CLIMATE PKG (DELETE)	(EXC COLD CLIMATE)
V22	76	84	GRILLE, RAD (CHR)	W/CHR GRL (V22)
V28	76	84	GUARD, FRT BPR (PAINTED)	W/FRT PA GUARDS (V28)
V30	76	84	GUARD, FRT & RR BPR	W/GUARDS (V30)
V31	76	84	GUARD, FRT BPR (CHR)	W/FRT CHR GUARDS (V31)
V32	76	84	GUARD, RR BPR	W/RR GUARDS (V32)
V35	84	84	BUMPER, RR W/RECESSED LIGHTS	W/RECS LT BPR (V35)
V37	76	84	BUMPER, FRT & RR (CHR)	W/CHR BPR (V37)
V38	76	81	BUMPER, RR PAINTED	W/PA BPR (V38)
V39	84	84	CONTROL I. D. INTERNATIONAL SYMBOLS	W/V39 (EXPORT)
V42	76	84	BUMPER, RR STEP (CHR)	W/CHR STEP BPR (V42)
V43	76	84	BUMPER, RR STEP (PAINTED)	W/PA STEP BPR (V43)
V46	76	84	BUMPER, FRT (CHR)	W/FRT CHR BPR (V46)
V50	82	84	FRAME, RR LIC PLT	W/LIC PLT FRM (V50)
V51	82	84	FRAME, FRT & RR LIC PLT	W/LIC PLT FRM (V51)
V54	76	83	CARRIER, RF PNL & LUG	W/RF & LUG CARR (V54)
V55	76	84	CARRIER, RF LUG	W/RF LUG CARR (V55)
V58	76	84	CARRIER, DECK LID LUG	W/LUG CARR (V58)
V62	76	81	JACK, AUTO	W/JACK (V62)
V65	76	83	BUMPER, LT DUTY	W/LT DTY BPR (V65)
V69	82	84	TRAILER PROVISIONS	W/TRLR (V69)
V70	82	84	HOOKS, TOWING (EXPORT)	W/V70 (EXPORT)
V76	76	84	HOOK, FRT TOW	W/FRT TOW HOOK (V76)
V78	82	84	PLATE, LESS CERTIFICATE OF COMPLIANCE	W/V78 (EXPORT)
V81	76	83	TRAILER PROVISIONS	W/TRLR (V81)
V82	76	83	TRAILER PROVISIONS, CLASS 2 2000-35000	W/TRLR (V82)
V83	76	81	TRAILER PROVISIONS, CLASS 3 3500-5000	W/TRLR (V83)
WA3	76	81	SEAT ADJ, 6-WAY DRIVER & PASS	W/6-WAY (WA3)
WA5	76	81	SPEAKER, DUAL FRT & RR	W/DUAL SPKR (WA5)
WB2	76	81	PROLOTIONAL PACKAGE	W/MONDAY NIGHT SPL (WB2)
WB5	76	83	ELECTRA ESTATE WAGON	W/ELECTRA ESTATE WAGON (WB5)
WB7	76	81	TOP, LANDAU FORMAL WOO GROUP	W/RR VNL (WB7)
WB9	76	81	PALM BEACH OPTION	W/PALM BEACH (WB9)
WC3	76	83	MOLDING, RKR-RR QTR & WHL OPG	W/WC3
W08	83	84	SKYHAWK T-TYPE	W/SKYHAWK T-TYPE (W08)
WE8	83	84	CENTURY T-TYPE	W/CENTURY T-TYPE (WE8)
WF5	76	81	TRIM, CUSTOM	W/CUST TR (WF5)
WF6	76	84	MOLDING GROUP	W/WF6
WH1	84	84	REGAL DESIGNER PACKAGE	W/REGAL DESIGNER PKG (WH1)
WH2	76	81	SKYHAWK FREE SPIRIT, DESIGN II	W/FREE SPIRIT (WH2)
WH6	76	81	NIGHT HAWK DECOR PKG	W/NIGHT HAWK (WH6)
WJ4	82	84	FIRENZA COUPE, SPECIAL EDITION	W/FIRENZA COUPE SPL EDITION (WJ4)
WJ5	84	84	CIERRA COUPE, SPECIAL EDITION	W/CIERRA SPL EDITION (WJ5)
WJ7	84	84	TRIM, INTERIOR LEATHER	W/LEA TRIM (WJ7)
WJ8	76	81	STARFIRE SX PKG	W/S.X. (WJ8)
WJ8	84	84	APPEARANCE PACKAGE, TORONADO SPECIALTY CAR	W/TORONADO APPEAR PKG (WJ8)
WK2	76	84	DELTA ROYALE BROUGHAM	W/DELTA ROYALE BROUGHAM (WK2)
WK3	84	84	DELTA ROYALE BROUGHAM "LS"	W/DELTA ROYALE BROUGHAM LS (WK3)
WK9	82	84	REGENCY BROUGHAM SEDAN	W/REGENCY BROUGHAM SEDAN (WK9)
WS4	76	84	TRANS AM OPTION	W/TRANS AM (WS4)
WS6	76	84	PERFORMANCE PACKAGE, SPECIAL	W/SPL PERF PKG (WS6)
WS7	76	84	HANDLING PACKAGE, SPECIAL	W/SPL HDL PKG (WS7)
WS9	76	81	PHOENIX APPEARANCE PKG	W/PHOENIX (WS9)
WS9	82	84	LEADER, FUEL CON	W/WS9
WU2	76	81	GT OPTION	W/GT (WU2)

## GM PRODUCTION OPTIONS

RPO	FY	LY	DIVISIONAL RPO DESCRIPTION	WDDGM RPO DESCRIPTION
WU7	76	83	SEAT, THIRD CUSTOM	W/WU7
WU9	76	81	MOLDING, WINDOW REVEAL	W/WDO RVL MLDG(WU9)
WV6	76	81	GRAPHICS PKG(GOLD)	W/WV6
WV7	76	81	GRAPHICS PKG(CHARCOAL)	W/WV7
WV8	76	81	GRAPHICS PKG(BLUE)	W/WV8
WV9	76	81	GRAPHICS PKG(RED)	W/WV9
WW1	76	81	LESS CONSOLE	(EXC CNSL)
WW3	76	81	CAN AM OPTION	W/CAN AM(WW3)
WW8	76	81	GAGE, RALLY, W/I/P TACH & CLK	W/RALLY GA(WW8)
WW9	83	84	SPORT LANDAU OPTION	W/SPORT LANDAU(WW9)
WX3	76	81	RAM AIR, SHAKER HOOD	W/WX3
WY5	76	81	SUSPENSION, RADIAL TUNED	W/R.T.S.(WY5)
WY5	82	84	SPECIAL HANDLING PACKAGE	W/SPL HDL PKG(WY5)
WY6	82	84	SPECIAL PERFORMANCE PACKAGE	W/SPL PERF PKG(WY6)
W02	76	81	APPLIQUE, WOODGRAIN	W/WDGRN(W02)
W03	82	84	REGAL LIMITED SEDAN OPTION	W/REGAL LIMITED SEDAN(W03)
W04	82	84	CENTURY LIMITED COUPE OPTION	W/CENTURY LIMITED COUPE(W04)
W05	82	84	REGAL LIMITED COUPE	W/REGAL LIMITED COUPE(W05)
W06	76	81	TRIM, CUSTOM	W/CUST TR(W06)
W06	84	84	CENTURY ESTATE WAGON	W/CENTURY ESTATE WAGON(W06)
W07	76	81	CENTURY, SPORT COUPE	W/SPORT COUPE(W07)
W08	76	81	TRIM, CUSTOM	W/CUST TR(W08)
W09	82	84	CENTURY LIMITED SEDAN OPTION	W/CENTURY LIMITED SEDAN(W09)
W10	76	84	PARK AVENUE OPTION	W/PARK AVE(W10)
W11	82	82	REGAL SPORT COUPE	W/REGAL SPORT COUPE(W11)
W11	83	84	REGAL T-TYPE	W/REGAL T-TYPE(W11)
W12	76	81	SKYHAWK PKG	W/SKYHAWK(W12)
W13	76	81	CENTURY, TURBO COUPE	W/TURBO COUPE(W13)
W14	76	81	LESABRE SPORT COUPE	W/LESABRE SPORT COUPE(W14)
W15	76	81	TRIM, CUSTOM	W/CUST TR(W15)
W17	76	81	TRIM, INTERIOR DELUXE	W/DLX TR(W17)
W17	82	84	LIMITED PACKAGE (SKYHAWK)	W/LIMITED PKG(W17)
W18	76	82	SPORT OPTION (SKYLARK)	W/SPORT OPT(W18)
W18	83	84	SKYLARK T-TYPE	W/SKYLARK T-TYPE(W18)
W19	76	84	TRIM, CUST	W/CUST TR(W19)
W21	76	81	TRIM, CUSTOM	W/CUST TR(W21)
W22	76	83	TRIM, CUST	W/CUST TR(W22)
W24	76	81	TRIM, CUSTOM	W/CUST TR(W24)
W29	76	81	442 APPEARANCE PKG	W/442 GRP(W29)
W30	76	81	HURST/OLDS PKG	W/HURST PKG(W30)
W40	82	84	HURST/OLDS SPECIALITY CAR	W/W40
W44	76	81	CONVERTIBLE TOP, SIMULATED	W/CONVR RF APPEAR(W44)
W45	82	84	EUROPEAN COUPE	W/EUROPEAN COUPE(W45)
W47	84	84	FIRENZA "ES"	W/FIRENZA ES(W47)
W48	76	84	EUROPEAN STYLING	W/W48
W49	80	81	C-4 CLOSED LOOP	W/W49
W50	76	84	APPEARANCE GROUP, SPECIAL	W/APPEAR GRP(W50)
W51	84	84	APPEARANCE OPTION, BLACK EXTR	W/APPEAR OPT(W51)
W52	76	81	TBI, BUILT	W/W52
W53	76	81	TWO-TONE SPECIAL APPEARANCE(GRP II)	W/W53
W55	82	83	EXHAUST SYSTEM, LT WT	W/LT WT EXH(W55)
W56	82	83	EXHAUST SYSTEM, STD	W/STD EXH(W56)
W60	76	81	ESPIRIT SPECIAL APPEARANCE	W/ESPIRIT(W60)
W62	76	81	LUXURY APPOINTMENT GROUP	W/LUX TR(W62)
W62	82	84	AERO PACKAGE	W/W62
W63	76	81	GAGE & CLOCK, RALLY	W/RALLY GA(W63)
W64	76	81	SUNBIRD WAGON, SPL PARTS GRP	W/SUNBIRD GRP(W64)
W65	76	81	STEREO SPKR, W/MONO RDO	W/MONO(W65)
W65	84	84	LOCK PKG, SECURITY	W/LOCK PKG(W65)
W66	76	81	FORMULA OPT GRP	W/FORMULA(W66)
W67	76	81	ESPIRIT, LUXURY	W/ESPIRIT(W67)
W68	76	81	ESPIRIT, SPL APPEARANCE RED BIRD	W/ESPIRIT(W68)
W69	76	84	S/E OPTION (SPECIAL EDITION)	W/SPL EDITION(W69)
W70	76	81	LEMONS SPORT	W/LEMONS SPORT(W70)
W70	84	84	SPORT PACKAGE, TWO-TONE	W/SPORT PKG(W70)
W71	76	81	SEAT, CUSTOM	W/CUST ST(W71)
W72	76	81	PERFORMANCE PKG	W/PERF OPT(W72)
W73	76	81	ESPIRIT, SPECIAL APPEARANCE	W/ESPIRIT(W73)
X26	82	83	MISC EQUIPMENT-NEW ZELAND(EXPORT)	W/X26(EXPORT)
YA1	76	81	DECOR PKG, LUV TRUCK	W/DECOR PKG(YA1)
YC1	76	81	COMFORT & CONV PKG#1/MID-LEVEL	W/DECOR PKG(YC1)

## GM PRODUCTION OPTIONS

RPO	FY	LY	DIVISIONAL RPO DESCRIPTION	WDDGM RPO DESCRIPTION
YC1	82	84	DURANGO EQUIPMENT	W/YC1
YC2	76	81	COMFORT & CONV PKG#2/LUXURY	W/DECOR PKG(YC2)
YC2	82	84	TAHOE EQUIPMENT	W/YC2
YC3	76	81	COMFORT & CONV PKG#3/PERSONAL LUXURY	W/DECOR PKG(YC3)
YC3	82	84	SPORT EQUIPMENT	W/YC3
YC5	85	85	DECOR PKG.COMFORT & CONV#1(MID LEVEL)	W/YC5
YC6	85	85	DECOR PKG.COMFORT & CONV#2(LUXURY)	W/YC6
YC6	76	81	WOODGRAIN,CUSTOM ESTATE	W/WDGRN(YC6)
YD1	82	84	TRAILER PKG.H D	W/H.D. TRLR(YD1)
YE4	76	81	INTERIOR & EXTERIOR,DELUXE	W/DLX GRP(YE4)
YE7	76	84	SPORT PKG.GMC 'SP'	W/GMC SPORT(YE7)
YE9	76	84	SILVERADO/SIERRA CLASSIC	W/SILVERADO/SIERRA(YE9)
YG1	76	84	MOLDING,BODY SI UPR & LWR WHL OPG(PAINTED)	W/YG1
YG2	76	81	WOODGRAIN INSERT & NAMEPLATE	W/WDGRN(YG2)
YG3	82	84	MOLDING,BODY SI & WHL OPG(BRI)	W/YG3
YG5	82	84	'SS' SPORT MODIFICATION PACKAGE	W/SS PKG(YG5)
YG6	76	81	BONANZA PKG A,ROYAL SIERRA PKG A	W/YG6
YG7	76	81	BONANZA PKG B,ROYAL SIERRA PKG B	W/YG7
YG8	76	81	BONANZA PKG C,ROYAL SIERRA PKG C	W/YG8
YG9	84	84	SPECIAL COMPONENTS,CELEBRITY Z	W/CELEBRITY Z(YG9)
YH9	76	81	INTERIOR,DELUXE	W/YH9
YJ8	76	81	WHEEL,CAST ALUMINUM	W/CAST ALUM WHL(YJ8)
YK3	76	81	PACKAGE,FRT & RR SHK ABS ELIMPITCH	W/ELIMI-PITCH(YK3)
YK3	82	83	ABSORBER,FRT & RR SHK & ELIMPITCH	W/ELIMI-PITCH(YK3)
YL1	82	84	UPHOLSTERY,LEATHER/VINYL	W/YL1
YL2	82	84	PAINT,FIREMIST	W/FIREMIST(YL2)
YL4	82	84	RUB STRIPE INSERT (WHITE)	W/RUB STR INS(YL4)
YM5	82	83	STRIPE,ACNT(DELETE)	(EXC ACNT STRIPE)
YM6	76	84	HEADREST,JAPAN(EXPORT)	W/YM6(EXPORT)
YP3	76	84	ELDORADO,CUSTOM BIARRITZ	W/BIARRITZ(YP3)
YP4	76	84	ELECTR	W/ELEGANTE(YP4)
YP5	76	81	PHAETON,SPECIAL EDITION	W/PHAETON(YP5)
YP5	82	84	ELDORADO,TOURING COUPE OPTION	W/ELDORADO TOURING(YP5)
YP7	82	84	CIMARRON LIMITED EDITION	W/LTD EDITION(YP7)
YP8	84	84	ELDORADO CONVERTIBLE	W/ELDORADO CONVR(YP8)
YR1	76	84	SEAT,FRT CUSTOM	W/CUST ST(YR1)
YR2	76	84	SEAT,FRT DLX	W/DLX ST(YR2)
YR3	82	84	SEAT,FRT LUX	W/LUX ST(YR3)
YS1	76	84	SEAT,RR CUSTOM	W/CUST ST(YS1)
YS2	76	84	SEAT,RR DLX	W/DLX ST(YS2)
YS3	82	83	SEAT,RR LUX	W/LUX ST(YS3)
YT1	76	84	BUILD-UP,CUST DR AND QTR	W/CUST DR AND QTR(YT1)
YT2	76	84	BUILD-UP,CUST DR AND QTR(DLX)	W/CUST DR AND QTR(YT2)
YT3	82	83	BUILD-UP,LUX DR AND QTR	W/LUX DR AND QTR(YT3)
YT6	76	84	TRIM,SPL INT BUILD-UP	W/YT6
YT7	82	83	REMINDER GROUP	W/YT7
Y5A	84	84	BODY,MILITARY 5250 COMM SHELTER (TYPE E)	W/Y5A
Y5B	84	84	BODY,MILITARY AMBULANCE (TYPE C)	W/Y5B
Y5C	84	84	BODY,MILITARY TRP & CARGO CARRIER (TYPE B)	W/Y5C
Y5D	84	84	BODY,AMBULANCE (COMPLETE PKG)	W/Y5D
Y5E	84	84	GENERATOR,DUAL DELCO 66 AMP	W/66 AMP(Y5E)
Y5F	84	84	GENERATOR,DUAL DELCO 100 AMP	W/100 AMP(Y5F)
Y5G	84	84	GENERATOR,DUAL DELCO 200 AMP	W/200 AMP(Y5G)
Y5J	84	84	RADIO PROVISION,SPECIAL MILITARY	W/Y5J
Y5P	84	84	MILITARY TROOP SEATS PKG	W/Y5P
Y5R	84	84	CAB/CHASSIS,MILITARY (TYPE D)	E/Y5R
Y02	76	81	SEAT ASM,FRT CUSTOM	W/CUST ST(Y02)
Y03	76	81	SEAT ASM,RR CUSTOM	W/CUST ST(Y03)
Y06	82	84	PANEL,COWL KICK(CARPETED)	W/CPT COWL(Y06)
Y07	76	84	MOLDING,SI WDO RVL(PAINTED)	W/PA SI WDO RVL(Y07)
Y10	76	81	BUILD UP,CUSTOM DODR & QUARTER	W/CUST DR & QTR(Y10)
Y11	76	81	SEAT ASM,SPECIAL FRT	W/SPL DES ST(Y11)
Y12	76	81	SEAT ASM,SPECIAL RR	W/SPL DES ST(Y12)
Y13	76	81	TRIM SPECIAL DOOR	W/SPL DES TR(Y13)
Y19	76	81	MOLDING,BODY SIDE LOWER	W/BODY SI LWR(Y19)
Y40	76	81	COOLING,HEAVY DUTY	W/H.D.CLG(Y40)
Y43	76	81	ROAD HAWK PKG	W/ROAD HAWK(Y43)
Y44	82	84	REGAL SPORT COUPE DECOR OPTION	W/REGAL SPORT COUPE(Y44)
Y48	76	81	REGAL SR PKG	W/REGAL SR(Y48)
Y48	84	84	ELECTRA T-TYPE	W/ELECTRA T-TYPE(Y48)
Y49	76	81	DESIGNER CONCEPT CAR,SOMERSET II	W/SOMERSET(Y49)
Y50	82	84	RIVIERA,SPORTY T-TYPE	W/RIVIERA T-TYPE(Y50)
Y52	82	83	REGAL DECOR OPTION	W/REGAL DECOR(Y52)

## GM PRODUCTION OPTIONS

RPO	FY	LY	DIVISIONAL RPO DESCRIPTION	WDDGM RPO DESCRIPTION
Y53	84	84	RIVIERA C R T SPECIALTY CAR	W/RIVIERA C R T (Y53)
Y55	76	81	REMINDER PKG GROUP	W/Y55
Y57	82	84	LAMP AND INDICATOR GROUP	W/Y57
Y59	76	81	V6 ECONOMY PKG	W/FUEL ECON EQUIP(Y59)
Y59	84	84	SCHWERTSET REGAL	W/SCHWERTSET REGAL(Y59)
Y61	76	81	OMEGA LS	W/LS(Y61)
Y64	76	81	STARFIRE GT PKG	W/GT(Y64)
Y65	76	81	FIRENZ PKG	W/Y65
Y66	76	81	OMEGA SX PKG	W/SX(Y66)
Y67	76	81	REMINDER PKG	W/FLUID LVL IND(Y67)
Y67	82	84	REMINDER GROUP	W/Y67
Y68	76	81	CUSTOM APPEARANCE PKG	W/APPEAR PKG(Y68)
Y69	76	83	ECONOMY PACKAGE,DIESEL(350 DIESEL)	W/DIESEL ECON PKG(Y69)
Y70	76	81	STRIPE,BODY SI DECAL	W/ACNT STRIPE(Y70)
Y71	76	84	PAINT,LWR BODY SCHEME	W/Y71
Y72	76	81	TRAILER TOWING COOLING & GEN PKG	W/H D CLG(Y72)
Y74	82	84	MOLDING,RKR PNL AND WHL OPG	W/Y74
Y76	76	81	MARKETING GRP OPTION	W/Y76
Y76	82	83	REMINDER GROUP	W/Y76
Y77	76	81	ECONOMY PKG,DIESEL(260 DIESEL)	W/DIESEL ECON PKG(Y77)
Y78	76	77	CUTLASS SALON OPTION	W/AK57
Y78	78	78	CUTLASS CALAIS OPTION	W/AK47
Y78	76	81	88 HOLIDAY COUPE	W/Y78
Y78	76	81	SPORT OMEGA PKG	W/SPORT PKG(Y78)
Y78	82	84	CUTLASS CALAIS	W/CUTLASS CALAIS(Y78)
Y80	76	81	EXTERIOR,CUSTOM	W/CUST EXTR(Y80)
Y81	82	83	CONVERTIBLE CONVERSION PACKAGE	W/CONVR(Y81)
Y82	82	84	LIMITED EDITION OPTION	W/LIMITED(Y82)
Y83	76	81	APPOINTMENTS OPTION,LJ LUXURY	W/LJ LUX(Y83)
Y83	82	83	GRAND PRIX LJ OPTION	W/GRAND PRIX LJ(Y83)
Y84	76	84	TRANS AM,SPL EDITION	W/TRANS AM(Y84)
Y85	76	81	TRANS AM,SPECIAL EDITION	W/Y85
Y87	76	84	BROUGHAM OPTION	W/BROUGHAM(Y87)
Y88	76	81	TRANS AM,SPECIAL EDITION(GOLD)	W/Y88
Y88	83	84	SEDAN,6000 STE	W/STE(Y88)
Y89	76	81	TRANS AM,SILVER ANIVERSARY	W/Y89
Y89	82	83	LANDAU OPTION,BROUGHAM	W/LANDAU BROUGHAM(Y89)
Y90	76	81	TRIM,CUSTOM	W/CUST TR(Y90)
Y90	84	84	SPECIAL SPORT AND HANDLING PKG	W/SPORT HDL PKG(Y90)
Y91	82	84	LE OPTION	W/LE(Y91)
Y92	82	84	SE OPTION	W/SE(Y92)
Y94	82	82	J2000 S OPTION	W/S(Y94)
Y95	82	84	RALLYE OPTION	W/RALLYE(Y95)
Y96	76	81	FIRM RIDE OPTION	W/FIRM RIDE(Y96)
Y97	76	83	SJ OPTION	W/SJ(Y97)
Y97	84	84	SE OPTION	W/SE(Y97)
Y98	82	84	RIDE CONTROL SYSTEM,ELECTRONIC	W/ELEK RIDE CONT(Y98)
Y99	76	84	HANDLING PACKAGE	W/HDL(Y99)
ZE1	82	84	STRIPE,BODY SI LWR(ACADIAN)	W/ZE1(CANADIAN)
ZE7	82	84	RESTRAINT,ST BELT & SHLDR HARN(CANADIAN)	W/ZE7(CANADIAN)
ZE9	82	84	STRIPE,BODY SI LWR(CANADIAN)	W/ZE9(CANADIAN)
ZF2	82	83	CAVALIER SPORTS PKG (CANADIAN)	W/ZF2(CANADIAN)
ZF3	82	83	SPORT PACKAGE,CANADIAN	W/ZF3(CANADIAN)
ZF4	82	84	ACADIAN OPTION	W/ZF4(CANADIAN)
ZF5	82	84	ACADIAN OPTION	W/ZF5(CANADIAN)
ZJ1	76	81	INTERIOR,TWO-TONE CUSTOM	W/CUST INTR(ZJ1)
ZJ2	76	81	EXTERIOR,CUSTOM MOLDING	W/CUST EXTR(ZJ2)
ZJ5	76	81	MOLDING,LWR EXTERIOR	W/LWR MLDG(ZJ5)
ZJ6	82	84	FUEL ECONOMY PKG	W/ECON PKG(ZJ6)
ZJ7	76	84	WHEEL,SPL HUB CAP & TR RING	W/RALLY WHL(ZJ7)
ZJ9	76	81	LIGHTING GROUP,AUXILIARY	W/AUX LTG(ZJ9)
ZK3	82	84	PACKAGE,SPL INTR(EXPORT)	W/ZK3(EXPORT)
ZL9	76	81	INTERIOR,LUXURY	W/LUX INTR(ZL9)
ZM1	76	81	CARAVAN PKG	W/ZM1
ZM2	76	84	TRIM,BONAVENTURE	W/ZM2
ZM4	76	81	NOMAD/GYPSY	W/ZM4
ZM8	76	81	BEAUVILLE TRIM,RALLY STX	W/ZM8
ZN1	76	81	TRAILERING PKG	W/TRLR(ZN1)
ZN5	76	81	WHEEL,RALLY(PAINTED BODY COLOR)	W/RALLY WHL(ZN5)
ZQ2	82	84	OPERATING CONVENIENCE GROUP	W/ZQ2
ZQ8	84	84	SPORT CHASSIS PKG	W/ZQ8
ZV8	84	84	EUROSPORT CELEBRITY	W/EUROSPORT CELEBRITY(ZV8)



## GM PRODUCTION OPTIONS

RPO	FY	LY	DIVISIONAL RPO DESCRIPTION	WDDGM RPO DESCRIPTION
ZW2	76	81	EMISSION, HEAVY DUTY ENG	W/ZW2
ZW9	82	84	BASE BODY OR CHASSIS	W/ZW9
ZX5	82	84	APPEARANCE PKG, VALUE	W/ZX5
ZX6	76	81	CHASSIS, HEAVY DUTY	W/ZX6
ZY7	82	84	PAINT, LOWER ACCENT	W/ZY7
ZY8	82	84	PAINT, MID ACCENT	W/ZY8
Z5B	82	83	SEO OVERRIDE OF MV4 FOR POLICE & TAXI	W/Z5B
Z5J	84	84	SEO OVERRIDE OF RPO U25 LUGG COMPT LP	W/Z5J
Z5T	76	84	SEO OVERRIDE OF LM1 FOR POLICE & TAXI	W/Z5T
Z6B	84	84	SEO OVERRIDE OF RPO JA2 H. D. BRAKE	W/Z6B
Z01	76	81	MONZA SPYDER	W/SPYDER(Z01)
Z02	76	81	APPEARANCE PKG, MONZA SPYDER	W/SPYDER APPEAR(Z02)
Z03	76	81	LANDAU EQUIPMENT	W/FRT VNL(Z03)
Z04	76	81	MONTE CARLO CLASSIC	W/Z04
Z05	76	83	APPEARANCE PKG, 2-TONE & STRIPING	W/Z05
Z06	76	84	INTERIOR, LUXURY	W/LUX INTR(Z06)
Z07	76	84	TRUCK, SPL ECON	W/SPL ECON(Z07)
Z08	82	84	CONVERTIBLE EQUIPMENT PKG	W/CONVR PKG(Z08)
Z11	82	83	CADET OPTION	W/CADET(Z11)
Z12	76	84	APPEARANCE PACKAGE	W/Z12
Z13	82	84	ORNAMENTATION, EXTR SPORT PKG	W/SPORT(Z13)
Z14	76	81	ENGINE PROCESSING, NON INTEGRATED	W/NON-INTEGRAL HD(Z14)
Z14	82	83	TRIM, CUST INTR	W/Z14
Z15	76	84	SPORT EQUIPMENT, SPL SS PKG	W/SPL SS PKG(Z15)
Z16	76	81	SPORT DECOR(BLACK KNIGHT)	W/Z16
Z16	82	84	SPORT DECOR, ROYAL KNIGHT	W/ROYAL KNIGHT(Z16)
Z18	82	84	SPORT DECOR	W/SPORT(Z18)
Z19	76	81	SPORT PKG, SPECTRE	W/Z19
Z19	82	84	SPORT PKG, X11	W/SPORT(Z19)
Z20	76	81	MONTE CARLO LIMITED EDITION	W/Z20
Z22	82	82	SUPER FUEL ECONOMY MODEL	W/Z22
Z24	85	85	SPORT COUPE	W/SPORT COUPE(Z24)
Z25	76	81	LAGUNA TYPE S3	W/LAGUNA S3(Z25)
Z26	76	81	NOVA, RALLY	W/RALLY(Z26)
Z28	82	84	PERFORMANCE PACKAGE, SPECIAL	W/Z28
Z29	76	81	GT, SPORT	W/GT(Z29)
Z29	76	81	SPYDER EQUIPMENT	W/SPYDER(Z29)
Z32	82	83	CANADIAN PARISIENNE, PONTIAC	W/Z32(CAN PONT B)
Z33	82	83	CANADIAN PONTIAC, PARISIENNE BROUGHAM	W/Z33(CAN PONT B)
Z36	82	84	PACKAGE, PONTIAC CONVERSION	W/Z36(CANADIAN)
Z46	82	83	PJ-OPTION(CANADIAN)	W/Z46(CANADIAN)
Z46	84	84	COMPETITIVE EDGE PROGRAM	W/Z46(CANADIAN)
Z47	82	83	KC-OPTION(CANADIAN)	W/Z47(CANADIAN)
Z48	82	83	FX-OPTION(CANADIAN)	W/Z48(CANADIAN)
Z49	76	84	MANDATORY CANADIAN BASE EQUIP MODIFICATIONS	W/Z49(CANADIAN)
Z50	82	83	INDIANAPOLIS COMMEMORATIVE PKG	W/INDY PKG(Z50)
Z53	76	84	GAUGE, VOLTMETER, OIL PRESS & TEMP	W/RALLY GA(Z53)
Z54	76	81	INTERIOR DECOR(SILENT SOUND GRP)	W/INTR DECOR(Z54)
Z55	82	83	TOP, REMOVABLE(LT SLATE-TEXTURED)	W/Z55
Z56	82	83	TOP, REMOVABLE(DK BRONZE-TEXTURED)	W/Z56
Z57	82	83	TOP, REMOVABLE(DK BLUE-TEXTURED)	W/Z57
Z58	76	84	TOP, REMOVABLE(WHITE-TEXTURED)	W/Z58
Z59	76	84	TOP, REMOVABLE(BLACK-TEXTURED)	W/Z59
Z60	76	81	MONZA	W/MONZA(Z60)
Z60	82	83	TOP, REMOVABLE(ALMOND-TEXTURED)	W/Z60
Z61	76	81	CUSTOM GROUP	W/CUST GRP(Z61)
Z62	76	84	SCOTTSDALE/SIERRA OPTION	W/SCOTTSDALE/SIERRA(Z62)
Z64	76	81	CUTWAY VAN	W/Z64
Z65	82	84	SPORT PACKAGE-MERCHANDISING OPTION	SEE VDS
Z71	84	84	OFF ROAD CHASSIS PKG	W/OFF ROAD PKG(Z71)
Z72	82	84	TRAILERING PKG, LT DUTY	W/LT DUTY TRLR(Z72)
Z73	76	84	TRIM, SPL INTR	W/Z73
Z75	76	84	SHOCKS, FRT QUAD	W/FRT QUAD SHKS(Z75)
Z76	82	84	CHASSIS, SPL COMMERCIAL	W/Z76
Z77	76	81	CHEVY SPORT OR GMC STREET COUPE	W/Z77
Z78	76	81	APPEARANCE PKG	W/Z78
Z80	82	84	TRIM, EXTR SPL	W/Z80
Z81	82	84	CAMPER, SPL	W/Z81
Z82	82	84	TRAILERING PKG, SPL	W/TRLR PKG(Z82)
Z83	82	83	CAMPER, DLX PKG	W/Z83
Z84	76	81	CHEYENNE, HIGH SIERRA	W/Z84
Z85	76	81	SPORT PKG	W/RALLY SPORT(Z85)
Z87	76	81	FACIA, FLEXIBLE-FRT END	W/Z87

## GM PRODUCTION OPTIONS

RPO	FY	LY	DIVISIONAL RPO DESCRIPTION	WDDGM RPO DESCRIPTION
Z88	76	84	CONVERSION,GMC	W/GMC(Z88)
Z94	76	81	CONVERTER SYSTEM,CANADIAN OXIDIZING	W/Z94(EXPORT)
Z98	82	83	CONVERSION,CANADIAN PONTIAC	W/Z98(CANADIAN)



# CHEVROLET ALL GROUPS



## ALPHABETICAL INDEX

### ALPHABETICAL INDEX

#### A

ABSORBER, Bumper Energy Absorber .....	7.840
ABSORBER, Front and Rear .....	7.345
ABSORBER, Steering Linkage .....	6.865
ACCUMULATOR, A.C. Refrigerant .....	9.195
ACTUATOR, A.C. Control Vacuum .....	9.280
ACTUATOR, Air Distributor .....	9.786
ACTUATOR, Concealed Headlamp Control Drive .....	2.760
ACTUATOR, Door Electric and Vacuum Locks .....	10.485
ACTUATOR, Exhaust Manifold Heat Valve .....	3.640
ACTUATOR, Headlamp Dimmer .....	2.459
ACTUATOR, Heater Temperature Control .....	8.850
ACTUATOR, Ignition Switch Warning, Lock or Headlamp .....	2.195
ACTUATOR KIT, Ignition Switch Warning, Lock or Headlamp .....	2.195
ACTUATOR, Plenum Air .....	9.789
ACTUATOR, Transmission Parking Brake .....	4.290
ACTUATOR, Windshield Wiper Access .....	10.130
ADAPTER & SLEEVE KIT, Steering Gear Hydraulic Valve .....	6.551
ADAPTER, Air Distributor .....	9.262
ADAPTER, Air Distributor .....	9.786
ADAPTER, Air Injection Reactor .....	3.675
ADAPTER KIT, Steering Gear Hydraulic Valve .....	6.551
ADAPTER, Oil Distribution .....	1.531
ADAPTER, Oil Filter .....	1.840
ADAPTER, Radio Antenna .....	9.647
ADAPTER, Speedometer Driven Gear .....	4.329
ADAPTER, Steering Column .....	6.521
ADAPTER, Steering Gear Hydraulic .....	6.550
ADJUSTER, Front Seat Adjuster .....	11.561
ADJUSTER, Steering Gear Worm Bearing .....	6.830
ADJUSTER, Steering Gear Lash Adjuster .....	6.822
AMMETER, Instrument Panel .....	2.515
AMPLIFIER, Distributor .....	2.383
ANTENNA, Radio (With Motor) .....	9.645
ANTENNA, Radio Antenna .....	9.647
ANTI SQUEAK, Accelerator Pedal .....	3.451
ARM, Air Distributor .....	9.786
ARMATURE KIT, Radio Antenna .....	9.647
ARMATURE, Starter Motor .....	2.043
ARMATURE, Windshield Wiper Motor .....	10.150
ARM, Engine Valve Rocker .....	0.333
ARM KIT, Engine Valve Rocker .....	0.333
ARM KIT, Steering Knuckle .....	6.103
ARM, Rear Axle Control .....	5.382
ARM REST, Front Door Arm Rest .....	14.686
ARM, Steering Knuckle Upper & Lower Control .....	6.168
ARM, Steering Pitman .....	6.859
ARM, Turn Signal Lamp .....	2.895
ARM, Windshield Wiper Motor Drive .....	10.151
ARM, Windshield Wiper Blade .....	10.147
ARRESTOR, Crankcase .....	1.745

#### B

BAFFLE, Carburetor and Fuel Meter Fuel Inlet .....	3.740
BAFFLE, Carburetor to Manifold .....	3.726

BAFFLE, Oil Pan .....	1.430
BAFFLE, Radiator Air .....	1.272
BAFFLE, Rear Quarter Side Inner .....	12.941
BAFFLE, Suction Throttling (P.O.A.) .....	9.198
BAG, Roof Panel .....	12.810
BALL, Brake Master Cylinder .....	4.651
BALANCER, Engine Crankshaft .....	0.659
BALL, A.C. Compressor (Internal Parts)(Axial) .....	9.172
BALL, Carburetor Pump Outlet Valve .....	3.825
BALL, Engine Valve .....	0.459
BALL, Engine Valve Adjusting .....	0.429
BALL, Fuel Tank Filler .....	12.945
BALL JOINT, Front Wheel Lower Control Arm .....	6.174
BALL JOINT KIT, Upper Control Arm Shaft .....	6.164
BALL PKG, Trailer(Group 7.068) .....	21.250
BALL, Steering Gear Worm .....	6.844
BALL, Transmission Control Valve .....	4.265
BALL, Transmission Governor .....	4.256
BALL, Transmission Input and Turbine Shaft .....	4.123
BALL, Transmission Pressure Regulator and Oil Pump .....	4.216
BALL, Transmission Shift Shaft Detent .....	4.311
BALL, Windshield Wiper Motor .....	10.150
BAND, Transmission Brake .....	4.251
BAND, Transmission Clutch .....	4.163
BAR, Bumper Face .....	7.831
BAR, Carburetor Throttle .....	3.762
BAR KIT, Bumper Face .....	7.831
BAR, License Plate .....	7.800
BAR, Radiator Grille .....	1.268
BASE, Air Cleaner to Carburetor Mounting .....	3.406
BASE, Front Seat Adjuster .....	11.561
BEAD KIT, Catalytic Converter .....	3.685
BEARING, A.C. Compressor Pulley .....	9.181
BEARING, A.C. Compressor (Internal Parts)(Axial) .....	9.172
BEARING, A.C. Compressor (Internal parts)(Radial) .....	9.172A
BEARING, Concealed Headlamp Control Opening Cover .....	2.765
BEARING, Differential Drive Pinion .....	5.484
BEARING, Differential Drive Pinion Front .....	5.447
BEARING, Differential Side .....	5.536
BEARING, Engine Camshaft Thrust .....	0.533
BEARING, Engine Camshaft .....	0.539
BEARING, Engine Clutch Release fork .....	0.799
BEARING, Engine Crankshaft Clutch Pilot .....	0.649
BEARING, Engine Fan Coolant .....	1.060
BEARING, Front Wheel Inner .....	6.311
BEARING, Front Wheel Outer .....	6.313
BEARING, Generator Drive End .....	2.306
BEARING, Generator Slip Ring End Frame .....	2.298
BEARING, Idler Pulley .....	4.850
BEARING, King Pin Thrust .....	6.210
BEARING KIT, Engine Connecting Rod .....	0.616
BEARING KIT, Engine Crankshaft .....	0.096
BEARING KIT, Rear Wheel .....	5.855
BEARING KIT, Transmission Overhaul .....	4.005
BEARING KIT, Transmission Rear Internal Gear .....	4.187
BEARING KIT, Transmission Sun Gear .....	4.159
BEARING, Power Brake Booster(Vacuum) .....	4.924
BEARING, Rear Axle U Joint .....	5.428
BEARING, Rear Wheel .....	5.855
BEARING, Steering Column .....	6.521

## ALPHABETICAL INDEX

BEARING, Steering Gear Shaft .....	6.525	BOLT, Flywheel .....	0.679
BEARING, Steering Gear Thrust .....	6.835	BOLT, Folding and Hard Top .....	14.080
BEARING, Steering Gear Pitman Shaft .....	6.786	BOLT, Folding Top Compartment Lid .....	12.242
BEARING, Transmission Sun Gear .....	4.159	BOLT, Front Fender Molding .....	8.133
BEARING, Transmission Main Shaft Rear (Output) .....	4.408	BOLT, Fuel Tank Mounting Strap .....	3.023
BEARING, Transmission Housing .....	4.162	BOLT, Generator .....	2.313
BEARING, Transmission Oil Pump .....	4.226	BOLT, Generator Mounting .....	2.277
BEARING, Transmission Clutch .....	4.164	BOLT, Hardtop .....	13.346
BEARING, Transmission Rear .....	4.408	BOLT, Hood Latch .....	8.085
BEARING, Transmission Reverse Idler Gear Thrust .....	4.437	BOLT, Hood Panel .....	8.015
BEARING, Transmission Output Shaft or Carrier .....	4.176	BOLT, Hub or Drum (Front and Rear Wheel) .....	5.812
BEARING, Transmission Main Drive Gear .....	4.355	BOLT, Intake & Exhaust Manifold .....	3.275
BEARING, Transmission Synchronizer .....	4.384	BOLT KIT, Battery Cable .....	2.343
BEARING, Transmission Mainshaft .....	4.352	BOLT KIT, Bumper Energy Absorber .....	7.840
BEARING, Transmission Reverse Idler Gear Thrust .....	4.437	BOLT KIT, Steering Gear Shaft .....	6.525
BEARING, Transmission Planet Carrier .....	4.176	BOLT, Oil Filter .....	1.840
BEARING, Transmission Main Drive Gear .....	4.355	BOLT, Radiator .....	1.270
BEARING, Transmission Low Sun Gear and Clutch .....	4.162	BOLT, Radio .....	9.650
BEARING, Turn Signal Lamp .....	2.895	BOLT, Radio Mounting .....	9.667
BELLOWS, Windshield Washer Pump .....	10.153	BOLT, Radio Static Suppression .....	9.663
BELT, Drive Belts .....	1.066	BOLT, Rear Axle Control Arm .....	5.383
BEZEL, Door Outside Handle .....	10.537	BOLT, Rear Axle Housing .....	5.398
BEZEL, Exhaust Tail Pipe .....	3.705	BOLT, Rear Axle U Joint .....	5.428
BEZEL, Fuel Tank Filler .....	12.945	BOLT, Rear Compartment Lid and End Gate .....	12.104
BEZEL, Headlamp .....	2.728	BOLT, Rear Spring .....	7.506
BEZEL, Headlamp Switch .....	2.487	BOLT, Rear Spring and Axle .....	7.529
BEZEL, Heater Control .....	8.852	BOLT, Ring Gear .....	5.531
BEZEL, Hood Panel Ornamentation .....	8.055	BOLT, Roof Panel .....	12.810
BEZEL, Instrument Cluster .....	9.743	BOLT, Seat Back .....	11.381
BEZEL, License Plate .....	7.800	BOLT, Seat Belt .....	14.875
BEZEL, Radio Antenna .....	9.647	BOLT, Shock Absorber .....	7.380
BEZEL, Rear Compartment Lid and Rear End Panel .....	12.182	BOLT, Shock Absorber .....	7.347
BEZEL, Rear Compartment Floor .....	12.981	BOLT, Spare Wheel Mounting .....	7.632
BEZEL, Rear View Mirror .....	10.186	BOLT, Stabilizer .....	7.240
BEZEL, Side Marker and Hazard Flasher .....	2.575	BOLT, Starter Motor .....	2.042
BEZEL, Tail Lamp Lens .....	2.689	BOLT, Starter Motor Shoe .....	2.077
BEZEL, Windshield Wiper Control .....	10.166	BOLT, Steering Column Housing .....	6.500
BINDING, Carpet .....	15.294	BOLT, Steering Column Attaching .....	6.760
BINDING, Rear Floor .....	15.306	BOLT, Steering Connecting Rod .....	6.874
BLADDER, Fuel .....	3.001	BOLT, Steering Gear Housing Side Cover .....	6.809
BLADE, Windshield Wiper .....	10.146	BOLT, Steering Gear Mounting .....	6.509
BLOCK, Battery(Positive) .....	2.342	BOLT, Steering Gear Shaft .....	6.525
BLOCK, Engine .....	0.033	BOLT, Steering Idler and Third Arm Shaft .....	5.181
BOARD, Windshield Wiper Motor .....	10.150	BOLT, Steering Knuckle Lower Control Arm .....	6.172
BODY, Carburetor .....	3.729	BOLT, Steering Knuckle Upper Control Arm .....	6.178
BODY, Oil Filter .....	1.837	BOLT, Steering Linkage .....	6.865
BODY, Power Brake Booster(Vacuum) .....	4.922	BOLT, Steering Pump Idler .....	6.655
BODY, Transmission Governor .....	4.256	BOLT, Steering Pump Mounting .....	6.606
BODY, Transmission Oil Pump .....	4.224	BOLT, Steering Relay & Tie Rod .....	6.104
BOLT, A.C. Compressor Mounting .....	9.171	BOLT, Transmission .....	4.115
BOLT, Air Injection Reactor Pump .....	3.655	BOLT, Transmission Case Extension .....	4.319
BOLT, Battery Fold Down .....	2.334	BOLT, Transmission Control .....	4.032
BOLT, Body Moldings .....	12.118	BOLT, Transmission Converter .....	4.115
BOLT, Brake C/inder and Pedal Shaft .....	4.648	BOLT, Transmission Extension .....	4.319
BOLT, Brake F ange Plate .....	5.002	BOLT, Transmission Housing .....	4.162
BOLT, Brake Hose .....	4.671	BOLT, Transmission Mount and Support .....	4.085
BOLT, Brake Shoe Anchor Pin .....	5.056	BOLT, Transmission Oil Pan .....	4.197
BOLT, Bumper Mounting .....	7.874	BOLT, Transmission Oil Pump .....	4.226
BOLT, Clutch Release Lever .....	0.873	BOLT, Transmission Parking Brake .....	4.290
BOLT, Cruise Control .....	3.887	BOLT, Universal Joint Bearing and Flange .....	5.586
BOLT, Differential Carrier .....	5.506	BOLT, Windshield Wiper Access .....	10.130
BOLT, Door Window Regulator .....	10.792	BOLT, Windshield Wiper Motor .....	10.150
BOLT, Emission Control System .....	3.671	BONDING STRIP, Body Rear End(Plastic Laminated) .....	12.986
BOLT, Energy Absorber Bar Guide .....	7.829	BONDING STRIP, Front Fender .....	8.141
BOLT, Engine Clutch .....	0.864	BONDING STRIP, Radiator .....	1.263
BOLT, Engine Clutch Cover to Flywheel .....	0.862	BONDING STRIP, Rear Compartment Floor .....	12.981
BOLT, Engine Connecting Rod Cap .....	0.623	BOOSTER, Power Brake(Vaccum) .....	4.901
BOLT, Engine Coolant Pump .....	1.073	BOOT, auto Jack .....	8.820
BOLT, Engine Crankshaft Pulley and Balancer .....	0.662	BOOT, Brake Master Cylinder Rod .....	4.659
BOLT, Engine Cylinder Head .....	0.293	BOOT, Cruise Control .....	3.885
BOLT, Engine Flywheel .....	0.669	BOOT, Engine Clutch Release Fork .....	0.797
BOLT, Engine Main Bearing Cap .....	0.056	BOOT, Seat Belt .....	14.875
BOLT, Engine Mounting .....	0.002	BOOT, Transmission Control Lever .....	4.015
BOLT, Engine Oil Pump .....	1.652	BOOT, Windshield Wiper Access .....	10.130
BOLT, Engine Valve Rocker Arm Cover .....	0.413	BOWL, Carburetor Float .....	3.734
BOLT, Exhaust Manifold End Bolt .....	3.504	BOWL, Steering Column .....	6.518
BOLT, Exhaust Manifold Heater .....	3.802	BOW, Roof .....	12.952
BOLT, Exhaust Pipe .....	3.613	BRACE, A.C. Compressor Mounting .....	9.171
BOLT, Exhaust System Attaching .....	3.708	BRACE, Air Injection Reactor Pump .....	3.655
		BRACE, Bumper .....	7.836
		BRACE, Floor Console .....	10.240
		BRACE, Frame Front Cross Member .....	7.039
		BRACE, Front Body Hinge Pillar .....	12.240

## ALPHABETICAL INDEX

BRACE, Generator .....	2.317	BRACKET, Radiator to Grille .....	1.287
BRACE, Radiator and Front End Tie .....	1.271	BRACKET, Radiator Fan .....	1.277
BRACE, Rear Compartment Floor .....	12.981	BRACKET, Radiator Grille and Front End Panel ..	1.267
BRACE, Shroud and Dash and Vent Duct .....	12.804	BRACKET, Radio Antenna .....	9.647
BRACE, Starter Motor .....	2.042	BRACKET, Radio Mounting .....	9.667
BRACE, Steering Column Attaching .....	6.760	BRACKET, Radio Static Suppression .....	9.663
BRACE, Steering Pump Mounting .....	6.606	BRACKET, Rear Axle Control Arm .....	5.380
BRACKET, A.C. Compressor Mounting .....	9.171	BRACKET, Rear Compartment .....	12.247
BRACKET, A.C. Compressor .....	9.242	BRACKET, Rear Compartment Floor .....	12.981
BRACKET, A.C. Condenser .....	9.190	BRACKET, Rear Compartment Lid Release .....	12.243
BRACKET, A.C. Refrigerant .....	9.196	BRACKET, Rear Hatch Window .....	12.187
BRACKET, Accelerator Pedal Lever .....	3.454	BRACKET, Rear View Mirror .....	10.186
BRACKET, Air Cleaner Air Intake .....	3.417	BRACKET, Roof Panel .....	12.810
BRACKET, Air Distributor .....	9.786	BRACKET, Roof Trim Headlining .....	14.640
BRACKET, Air Injection Reactor Pump .....	3.655	BRACKET, Seat Back Locking .....	11.390
BRACKET, Air Injection Reactor .....	3.675	BRACKET, Shock Absorber Anchor .....	7.395
BRACKET, Back Up Lamp .....	2.698	BRACKET, Shock Absorber .....	7.380
BRACKET, Battery Cable .....	2.343	BRACKET, Spare Wheel .....	7.629
BRACKET, Body Mount Rear .....	7.330	BRACKET, Spark Plug Wire .....	2.251
BRACKET, Brake Flange .....	5.001	BRACKET, Speedometer to Instrument Panel(Domestic) .....	9.761
BRACKET, Brake Hose or Pipe .....	4.681	BRACKET, Stabilizer Shaft .....	7.242
BRACKET, Bumper Energy Absorber .....	7.840	BRACKET, Steering Column Attaching .....	6.760
BRACKET, Bumper Mounting .....	7.869	BRACKET, Steering Idler Arm .....	6.896
BRACKET, Carburetor Throttle .....	3.444	BRACKET, Steering Pump Mounting .....	6.606
BRACKET, Carburetor Air Cleaner Controls .....	3.415	BRACKET, Stop Lamp .....	2.447
BRACKET, Chassis Wiring Harness .....	2.559	BRACKET, Tachometer .....	9.750
BRACKET, Chassis Wiring .....	2.480	BRACKET, Towing .....	7.068
BRACKET, Concealed Headlamp Motor .....	2.755	BRACKET, Transmission Support .....	7.011
BRACKET, Concealed Headlamp Control Opening Cover .....	2.765	BRACKET, Transmission Control Switch .....	4.060
BRACKET, Concealed Headlamp Control Drive ..	2.760	BRACKET, Transmission Control Lever .....	4.010
BRACKET, Cruise Control .....	3.885	BRACKET, Transmission Control Lock Cable .....	4.070
BRACKET, Cruise Control .....	3.880	BRACKET, Transmission Detent Control .....	4.050
BRACKET, Differential Carrier Mounting .....	5.500	BRACKET, Transmission Mounting .....	4.083
BRACKET, Distributor .....	2.383	BRACKET, Transmission Shift Control Cable .....	4.047
BRACKET, Distributor .....	2.393	BRACKET, Transmission Control Lock Cable .....	4.070
BRACKET, Dome and Reading Lamp .....	11.927	BRACKET, Transmission Control Indicator .....	4.020
BRACKET, Door Arm Rest Trim .....	14.690	BRACKET, Transmission Parking Brake .....	4.290
BRACKET, Door Electric and Vacuum Locks .....	10.485	BRACKET, Transmission Mounting .....	4.083
BRACKET, Door Lock .....	10.569	BRACKET, Transmission Control Cable .....	4.047
BRACKET, Early Fuel Evaporation Control .....	3.140	BRACKET, Transmission Control Lever .....	4.010
BRACKET, Emission Control System .....	3.671	BRACKET, Transmission Gearshift Hand Lever ..	4.010
BRACKET, Engine Air Cooling(Electrical) .....	1.055	BRACKET, Transmission Gearshift Shaft .....	4.030
BRACKET, Engine Clutch Control .....	0.852	BRACKET, Transmission Park Lock .....	4.220
BRACKET, Engine Cooling .....	1.219	BRACKET, Transmission Control Lever .....	4.010
BRACKET, Engine Fuel .....	3.890	BRACKET, Transmission Shift Control .....	4.030
BRACKET, Engine Lift .....	0.004	BRACKET, Transmission Support .....	4.083
BRACKET, Engine Mounting .....	0.029	BRACKET, Transmission Control Lock Cable .....	4.070
BRACKET, Exhaust Manifold Heater .....	3.602	BRACKET, Windshield Wiper Access .....	10.130
BRACKET, Exhaust Mounting .....	3.706	BRACKET, Windshield Wiper Control .....	3.163
BRACKET, Exhaust Muffler .....	3.704	BRACKET, Windshield Washer .....	3.154
BRACKET, Floor Console .....	10.240	BREAKER, Body Harness .....	13.095
BRACKET, Floor Pan .....	12.980	BREAKER, Headlamp .....	2.485
BRACKET, Folding and Hard Top .....	14.080	BREATHER, Carburetor Air Cleaner .....	3.410
BRACKET, Folding Top Front Roof .....	14.050	BRIDGE, Generator .....	2.319
BRACKET, Frame Front Cross Member .....	7.039	BRUSH, Distributor Cap Retaining .....	2.368
BRACKET, Front Door Trim Binding Strip .....	14.683	BRUSH, Generator .....	2.285
BRACKET, Front Seat Adjuster .....	11.561	BRUSH, Generator Brush .....	2.291
BRACKET, Generator Mounting .....	2.277	BRUSH, Starter Motor .....	2.051
BRACKET, Hardtop .....	13.346	BRUSH, Windshield Wiper Motor .....	10.150
BRACKET, Headlamp Adjuster .....	2.737	BUMPER, Back Window Reveal Molding .....	11.209
BRACKET, Heater .....	8.846	BUMPER, Bumper to Body .....	7.833
BRACKET, Heater .....	8.845	BUMPER, Bumper Face .....	7.831
BRACKET, Heater and Defroster .....	8.857	BUMPER, Door .....	10.587
BRACKET, Heater Control .....	8.852	BUMPER, Door Window .....	10.716
BRACKET, Hood Latch .....	8.085	BUMPER, Engine Clutch Pedal .....	0.829
BRACKET, Hood Latch .....	8.080	BUMPER, Folding and Hard Top .....	14.080
BRACKET, Hydraulic Steering Cylinder .....	6.575	BUMPER, Folding Top Compartment .....	12.170
BRACKET, Ignition Coil Mounting .....	2.183	BUMPER, Fuel Tank Filler .....	12.945
BRACKET, Ignition Switch Warning, Lock or Headlamp .....	2.195	BUMPER, Hardtop .....	13.346
BRACKET, Instrument Cluster .....	9.744	BUMPER, Hood Panel Closing .....	8.024
BRACKET KIT, Exhaust Mounting .....	3.706	BUMPER, License Plate .....	7.800
BRACKET KIT, Headlamp Adjuster .....	2.737	BUMPER, Power Brake Booster Reaction .....	4.934
BRACKET KIT, Radio Antenna .....	9.647	BUMPER, Rear Axle .....	5.395
BRACKET KIT, Steering Pump Mounting .....	6.606	BUMPER, Rear Compartment Floor .....	12.981
BRACKET KIT, Transmission Control Lever .....	4.010	BUMPER, Rear Spring .....	7.535
BRACKET, License Plate .....	7.800	BUMPER, Seat Back .....	11.381
BRACKET, Luggage Carrier .....	12.815	BUMPER, Seat Back Locking .....	11.390
BRACKET, Outside Air .....	9.787	BUMPER, Steering Column .....	6.514
BRACKET, Parking Brake Cable .....	4.785	BUMPER, Steering Knuckle Control Arm .....	6.176
BRACKET, Plenum Air .....	9.789	BUSHING, A.C. Compressor (Internal Parts)(Axial) .....	9.172
BRACKET, Power Steering Hose .....	6.672	BUSHING, A.C. Condenser .....	9.190
BRACKET, Radiator .....	1.270	BUSHING, Brake Pedal .....	4.626



## ALPHABETICAL INDEX

CARRIER, Differential, with Cap .....	5 505	CLIP, Early Fuel Evaporation .....	3 145
CARRIER PKG. Roof & Deck Lid(Group 12.810) .....	21.060	CLIP, Emission Contrc' System .....	3 671
CARRIER, Roof Panel .....	12.810	CLIP, Energy Absorber Bar Guide .....	7 829
CARRIER, Spare Wheel .....	7.629	CLIP, Folding Top, Bow Binding End .....	13 342
CARRIER, Transmission Output Shaft or Carrier .....	4.175	CLIP, Front Door Trim Binding Strip .....	14 683
CARRIER, Transmission Planet .....	4.175	CLIP, Front Fender .....	8.154
CASE, A.C. Evaporator .....	9.211	CLIP, Front Seat Side Trim .....	14 818
CASE, Differential (Ring Gear and Pinion) .....	5.510	CLIP, Fuel Pipe .....	3.162
CASE, Heater and Defroster .....	8.857	CLIP, Fuel Tank Filler .....	3.003
CASE, Heater Core .....	8.854	CLIP, Fuel Tank Meter .....	3.107
CASE, Instrument Cluster .....	9.743	CLIP, Generator .....	2.313
CASE, Instrument Panel Compartment Door .....		CLIP, Ignition Switch Warning, Lock or .....	
Lock .....	10.266	Headlamp .....	2.195
CASE KIT, Transmission Case .....	4.103	CLIP, Instrument Cluster .....	9.744
CASE, Transmission Case .....	4.103	CLIP, Instrument Panel .....	14 655
CASE, Windshield Wiper Motor .....	10.150	CLIP KIT, Radio Antenna .....	9.647
CATCH, Hood Latch .....	8.080	CLIP, Outside Air .....	9.787
CAULKING KIT, Back Window .....	11.204	CLIP, Radiator Baffle and Shroud .....	1.276
CAULKING KIT, Windshield Glass .....	10.027	CLIP, Radio Mounting .....	9.667
CHAIN, Cruise Control .....	3.885	CLIP, Rear Compartment Floor .....	12.981
CHAIN, Engine Timing .....	0.724	CLIP, Roof Panel .....	12.810
CHANNEL, Back Window Glass .....	11.207	CLIP, Roof Trim Headlining .....	14 640
CHANNEL, Door Ventilator Glass (With Tee .....		CLIP, Seat Belt .....	14.875
Shaft) .....	10.655	CLIP, Side Marker and Hazard Flasher .....	2.575
CHANNEL, Door Window Regulator .....	10.792	CLIP, Spark Plug Wire .....	2.251
CHANNEL, Front Door Window .....	10.685	CLIP, Speedometer to Instrument .....	
CHANNEL, Quarter Window Glass .....	11.015	Panel(Domestic) .....	9.761
CHANNEL, Windshield Glass .....	10.092	CLIP, Speedometer Drive Gear .....	4.345
CHOKE HOUSING KIT, Automatic Choke Control .....	3.750	CLIP, Steering Column .....	6.521
CLAMP, A.C. Evaporator Expansion Valve .....	9.214	CLIP, Stop Lamp .....	2.447
CLAMP, A.C. Evaporator .....	9.211	CLIP, Sunshade .....	10.219
CLAMP, A.C. Refrigerant .....	9.196	CLIP, Transmission to Speedometer .....	4.342
CLAMP, A.C. Vacuum & Temperature .....	9.281	CLIP, Transmission Control Lock Cable .....	4.070
CLAMP, Air Distributor .....	9.786	CLIP, Transmission Detent .....	4.279
CLAMP, Air Injection Reactor and Exhaust Gas .....		CLIP, Transmission Oil Cooler .....	4.128
Recirculation .....	3.680	CLIP, Transmission Oil Pan .....	4.197
CLAMP, Battery Hold Down .....	2.335	CLIP, Transmission Throttle Valve Control .....	4.052
CLAMP, Carburetor Throttle Control .....	3.425	CLIP, Transmission Vacuum .....	4.205
CLAMP, Distributor and Fuel Injector .....	2.363	CLIP, Turn Signal Lamp .....	2.892
CLAMP, Engine Cooling .....	1.219	CLIP, Windshield Glass .....	10.092
CLAMP, Exhaust Pipe .....	3.616	CLIP, Windshield Reveal .....	10.096
CLAMP, Exhaust System Attaching .....	3.708	CLIP, Windshield Washer .....	10.154
CLAMP, Heater Core .....	8.854	CLIP, Windshield Washer .....	10.155
CLAMP, Heater Water Flow .....	8.866	CLOCK, Clock .....	9.772
CLAMP, Hose (Radiator, Heater, A.C.) .....	1.166	CLOTH, Polishing(Group 8.800) .....	21 090
CLAMP, Intake & Exhaust Manifold .....	3.273	CLUSTER, Instrument Panel Gage .....	9.735
CLAMP KIT, Steering Gear Shaft .....	6.525	CLUTCH DRIVE, A.C. Compressor Clutch .....	
CLAMP, Outside Air .....	9.787	Actuating .....	9.188
CLAMP, Power Brake Booster(Vacuum) .....	4.930	CLUTCH, Engine Air Cool Fan .....	1.050
CLAMP, Power Steering Hose .....	6.672	CLUTCH, Transmission Synchronizing .....	4.380
CLAMP, Steering Gear Ball Return Guide .....	6.843	CLUTCH, Transmission Clutch .....	4.164
CLAMP, Steering Gear Shaft .....	6.525	CLUTCH, Transmission Clutch .....	4.164
CLAMP, Steering Relay .....	6.870	CLUTCH, Transmission Clutch(Low & Reverse) .....	4.180
CLAMP, Steering Tie Rod .....	6.234	CLUTCH, Transmission Synchronizing .....	4.380
CLAMP, Valve In Receiver .....	9.199	COIL, A.C. Compressor Clutch Actuating .....	9.186
CLEANER, Carburetor .....	3.402	COIL, Automatic Choke Control .....	3.750
CLEVIS, Master Cylinder Adjusting .....	4.662	COIL, Ignition .....	2.170
CLEVIS, Transmission Control Rod To Lever .....	4.037	COIL, Radio Antenna .....	9.647
CLIP, A.C. Compressor .....	9.242	COIL, Starter Motor .....	2.049
CLIP, Air Distributor .....	9.262	COLLAR, Generator Drive End .....	2.307
CLIP, Air Distributor .....	9.786	COLLAR, Starter Motor Thrust .....	2.063
CLIP, Air Injection Reactor and Exhaust Gas .....		COLUMN, Steering Column .....	6.518
Recirculation .....	3.680	COMPARTMENT, Instrument Panel .....	10.260
CLIP, Air Outlet .....	9.264	COMPARTMENT, Rear Compartment Floor .....	12.981
CLIP, Ash Receiver Mounting .....	12.016	COMPASS PKG, Auto(Group 8.873) .....	21.100
CLIP, Back Up Lamp .....	2.698	COMPRESSOR, A.C. Compressor .....	9.170
CLIP, Back Window Reveal Molding .....	11.209	COMPRESSOR PKG, Air Lift Shocks(Group .....	
CLIP, Battery Cable .....	2.343	7.455) .....	21.110
CLIP, Body Wiring .....	13.090	CONDENSER, A.C. Condenser .....	9.190
CLIP, Brake Hose or Pipe .....	4.686	CONDENSER, Distributor .....	2.393
CLIP, Brake Shoe Anchor Pin .....	5.056	CONDUIT, Chassis Electrical .....	2.530
CLIP, Carburetor and Fuel Meter Intake (with .....		CONDUIT, Door .....	10.778
Seat and Gasket) .....	3.814	CONE, Differential Drive Pinion .....	5.484
CLIP, Carburetor and Fuel Injection Choke .....	3.752	CONNECTOR, A.C. Vacuum & Temperature .....	9.281
CLIP, Carburetor Throttle Control .....	3.425	CONNECTOR, Air Injection Reactor and Exhaust .....	
CLIP, Chassis Wiring .....	2.480	Gas Recirculation .....	3.680
CLIP, Chassis Wiring Harness .....	2.559	CONNECTOR, Body Harness .....	13.100
CLIP, Cruise Control .....	3.885	CONNECTOR, Brake Hose or Pipe .....	4.686
CLIP, Door Inside Locking Rod .....	10.565	CONNECTOR, Carburetor Vacuum .....	3.765
CLIP, Door Lock .....	10.474	CONNECTOR, Carburetor .....	3.755
CLIP, Door Lock .....	10.506	CONNECTOR, Chassis Electrical .....	2.530
CLIP, Door Weatherstrip .....	10.695	CONNECTOR, Cigarette Lighter .....	9.709
CLIP, Door Window .....	10.777	CONNECTOR, Clock .....	9.772
CLIP, Early Fuel Evaporation Control .....	3.140		

## ALPHABETICAL INDEX

CONNECTOR, Concealed Headlamp Control	2.765	COVER, Heater Core	8.854
Opening Cover		COVER, Hydraulic Steering Valve	6.554
CONNECTOR, Crankcase	1.745	COVER, Ignition and Locks	2.187
CONNECTOR, Distributor	2.400	COVER, Inside Rear View Mirror	10.187
CONNECTOR, Early Fuel Evaporation	3.145	COVER, Instrument Panel Opening	10.256
CONNECTOR, Engine and Transmission		COVER, Instrument Panel Ash Tray	12.009
Controlled Spark	2.408	COVER, King Pin Oil	6.225
CONNECTOR, Intake Manifold Vacuum	3.278	COVER KIT, Engine Valve Rocker Arm	0.386
CONNECTOR, Oil Distribution	1.531	COVER KIT, Hydraulic Steering Valve	6.554
CONNECTOR, Oil Filter	1.855	COVER KIT, Steering Column	6.518
CONNECTOR, Parking Brake Cable	4.785	COVER KIT, Transmission Oil Pump	4.224
CONNECTOR, Steering Gear Oil Pressure Hose	6.673	COVER, Oil Pump	1.723
CONNECTOR, Transmission Control Valve	4.265	COVER, Parking Brake Lever Housing	4.612
CONNECTOR, Transmission Oil Cooler	4.128	COVER, Radio Static Suppression	9.663
CONNECTOR, Transmission Smog Control	4.075	COVER, Rear Axle Housing	5.398
CONNECTOR, Transmission Converter	4.115	COVER, Rear Compartment	15.222
CONSOLE, Rear Compartment Floor	12.981	COVER, Rear Compartment Floor	12.981
CONTACT, Door Electric and Vacuum Locks	10.485	COVER, Roof Panel	12.810
CONTACT, Horn Button Blowing	2.819	COVER, Seat Adjuster	11.556
CONTACT, Starter Motor Switch	2.102	COVER, Seat Belt	14.875
CONTAINER, Seat Belt	14.875	COVER, Shroud and Dash and Vent Duct	12.804
CONTAINER, Windshield Washer	10.154	COVER, Spare Wheel	7.629
CONTROL, A.C. Electric Control	9.275	COVER, Steering Column	6.518
CONTROL, Carburetor	3.755	COVER, Steering Column Housing	6.500
CONTROL, Carburetor Vacuum	3.765	COVER, Steering Column Attaching	6.760
CONTROL, Courtesy Lamp	11.935	COVER, Steering Gear Housing Side	6.807
CONTROL, Distributor Vacuum	2.410	COVER, Transmission Case	4.105
CONTROL, Door Lock Remote Control	10.500	COVER, Transmission Control Indicator	4.020
CONTROL, Folding Top Compartment Lid	12.242	COVER, Transmission Case	4.105
CONTROL, Heater	8.849	COVER, Transmission Governor	4.256
CONTROL, Heater & A.C. Control	9.273	COVER, Transmission Oil Pan	4.197
CONTROL, Heater Water Flow	8.866	COVER, Transmission Oil Pump	4.224
CONTROLLER, Emission Control System	3.670	COVER, Transmission Oil Pump	4.203
CONTROLLER, Ignition Switch Warning, Lock or		COVER, Transmission Rear Servo	4.241
Headlamp	2.195	COVER, Transmission Servo & Accumulator	4.228
CONTROLLER, Windshield Wiper Control	10.163	COVER, Turn Signal Lamp	2.895
CONTROL PKG, Dash Control(Group 7.460)	21.155	COVER, Turn Signal Switch	2.906
CONTROL, Rear View Mirror	10.186	COVER, Wheel Carrier Lock	7.675
CONTROL, Windshield Wiper Control	10.163	COVER, Wheel Trim	5.858
CONVERSION KIT, Transmission Clutch(Low &		COVER, Windshield Wiper Motor	10.150
Reverse)	4.180	CRANKSHAFT, Engine	0.646
CONVERTER, Catalytic Converter	3.685	CUP, Brake Main Cylinder	4.654
CONVERTER, Transmission Converter	4.115	CUP, Horn Button Blowing	2.819
COOLER, Transmission Oil	4.128	CUP, Turn Signal Switch	2.906
CORD, Engine Coolant Warmer	1.152	CUP, Wheel Brake	4.667
CORE, A.C. Compressor	9.177	CUSHION, Body to Frame Bolt	9.023
CORE, A.C. Evaporator	9.210	CUSHION, Bumper Energy Absorber	7.840
CORE, Heater Core	8.854	CUSHION, Differential Carrier Mounting	5.500
CORE, Suction Throttling (P.O.A.)	9.198	CUSHION, Door Window	10.716
COUPLING, Steering Gear Shaft	6.525	CUSHION, Frame Cross, Intermediate	7.012
COUPLING, Tachometer	9.750	CUSHION KIT, Body to Frame Bolt	9.023
COVER, A.C. Compressor (Internal Parts)(Axial)	9.172	CUSHION, Radiator	1.270
COVER, A.C. Evaporator	9.211	CUSHION, Rear Spring	7.545
COVER, Accelerator Pedal	3.451	CUSHION, Windshield Wiper Access	10.130
COVER, Air Cleaner Air Intake	3.417	CYLINDER, A.C. Compressor	9.170
COVER, Air Distributor	9.262	CYLINDER, Brake Master	4.650
COVER, Automatic Choke Control	3.75C	CYLINDER, Ignition Switch	2.188
COVER, Back Window Reveal Molding	11.209	CYLINDER, Instrument Panel Compartment	
COVER, Battery Filler	2.345	Door Lock	10.266
COVER, Brake and Clutch Pedal	4.630	CYLINDER KIT, Door Outside Lock	10.550
COVER, Brake Adjusting Hole	5.117	CYLINDER KIT, Ignition Switch	2.188
COVER, Brake Cylinder and Pedal Shaft	4.648	CYLINDER, Steering Gear Hydraulic	6.576
COVER, Brake Master Cylinder	4.651	CYLINDER W/SHAFT, A.C. Compressor	9.170
COVER, Bumper	7.832	CYLINDER, Wheel Brake	4.665
COVER, Bumper Face	7.831	CYLINDER, Wheel Carrier Lock	7.675
COVER, Carburetor (with Leather and Shaft)	3.838		
COVER, Carburetor Air Cleaner	3.410	<b>D</b>	
COVER, Carburetor Idle Air Compensator	3.820		
COVER, Chassis Wiring Harness	2.559	DAMPER, Engine Crankshaft	0.659
COVER, Cruise Control	3.885	DECAL, Front Door	12.112
COVER, Distributor Cap Retaining	2.368	DECAL, Front Fender and Body Ornamentation	8.132
COVER, Door Hinge	10.450	DECAL, Hood Panel Ornamentation	8.055
COVER, Door Inner Panel	10.355	DECAL, Rear Quarter Ornamentation	12.116
COVER, Engine Clutch	0.859	DECAL, Transmission Control Lever Trim	4.017
COVER, Engine Clutch Plate	0.861	DEFLECTOR, Air Distributor	9.262
COVER, Engine Cover Front	0.206	DEFLECTOR, Air Outlet	9.264
COVER, Engine Valve Rocker Arm	0.386	DEFLECTOR, Bumper to Body	7.833
COVER, Exhaust Manifold Heater	3.602	DEFLECTOR, Propeller Shaft Pinion	5.545
COVER, Flywheel	0.679	DEFLECTOR, Radiator Air	1.272
COVER, Folding and Hard Top	14.080	DEFLECTOR, Rear Axle Universal Joint	5.425
COVER, Front Seat Bottom Hinge	11.375	DESICCANT, A.C. Refrigerant	9.195
COVER, Fuel Pump Mounting	3.901		
COVER, Generator	2.313		
COVER, Hardtop	13.346		



## ALPHABETICAL INDEX

DESICCANT KIT, A.C. Refrigerant .....	9.195	ESCUTCHEON, Radio .....	9.650
DIAL, Transmission Control Indicator .....	4.020	ESCUTCHEON, Rear Compartment .....	12.249
DIAPHRAGM, Brake Master Cylinder .....	4.651	ESCUTCHEON, Rear Compartment Floor .....	12.981
DIAPHRAGM, Carburetor Throttle .....	3.758	ESCUTCHEON, Rear View Mirror .....	10.186
DIAPHRAGM, Carburetor (with Leather and Shaft) .....	3.838	ESCUTCHEON, Seat Adjuster .....	11.558
DIAPHRAGM, Power Brake Booster(Vacuum) .....	4.922	ESCUTCHEON, Seat Back Locking .....	11.390
DIFFUSER, Carburetor Air Cleaner .....	3.410	ESCUTCHEON, Windshield Wiper Transmission .....	10.160
DIODE, Distributor .....	2.383	EXTENSION, Air Injection Reactor .....	3.675
DIODE, Generator .....	2.319	EXTENSION, Bumper .....	7.836
DISC, Concealed Headlamp Control Drive .....	2.760	EXTENSION, Chassis Wiring .....	2.480
DISC, Front and Rear Wheel Brake .....	5.809	EXTENSION, Door Opening Rocker .....	12.934
DISC, Power Brake Booster Reaction .....	4.934	EXTENSION, Exhaust .....	3.609
DISC, Windshield Wiper Motor .....	10.150	EXTENSION, Exhaust Tail Pipe .....	3.705
DISTRIBUTOR, Ignition .....	2.361	EXTENSION, Fender Wheelhouse .....	8.155
DIVERTER, Door Inner Panel .....	10.355	EXTENSION, Flywheel .....	0.679
DOOR, Carburetor Air Cleaner Controls .....	3.415	EXTENSION, Front Body Hinge Pillar .....	12.840
DOOR, Fuel Tank Filler .....	12.945	EXTENSION, Front Fender .....	8.153
DOOR, Instrument Panel Compartment .....	10.261	EXTENSION, Front Fender Panel .....	8.131
DOOR, Parking Lamp .....	2.593	EXTENSION, Instrument Panel .....	10.230
DOOR, Plenum Air .....	9.789	EXTENSION KIT, Transmission Rear Main .....	4.317
DOOR, Rear Compartment Floor .....	12.981	EXTENSION, Radiator .....	1.263
DOWEL, Engine Clutch Housing or Transmission .....	0.685	EXTENSION, Radiator to Grille .....	1.287
DOWEL, Engine Flywheel .....	0.669	EXTENSION, Radiator Fan .....	1.277
DRIVE, Starter Motor .....	2.086	EXTENSION, Rear Quarter .....	15.10
DRUM, Front and Rear Wheel Brake .....	5.809	EXTENSION, Roof Panel .....	12.8 0
DRUM, Transmission Clutch .....	4.169	EXTENSION, Steering Wheel .....	6.12
DUCT, Air Cleaner Air Intake .....	3.417	EXTENSION, Tire Valve And Cover Lock .....	5.75
DUCT, Air Distributor .....	9.262	EXTENSION, Transmission Extension .....	4.117
DUCT, Air Distributor .....	9.786	EXTENSION, Transmission Rear .....	4.117
DUCT, Rear Window Defogger .....	9.778	EXTENSION, Transmission Rear Main .....	4.117
DUCT, Windshield Defroster .....	9.779	EXTENSION, Transmission Rear Main Bearing .....	4.117
		EXTENSION, Windshield Wiper Access .....	10.130
		EXTENSION, Windshield Washer .....	10.154
		EYELET, Front Door Trim .....	14.685
		EYELET, Instrument Panel .....	10.230

### E

ELBOW, Air Cleaner Air Intake .....	3.417
ELBOW, Air Injection Reactor and Exhaust Gas Recirculation .....	3.680
ELBOW, Crankcase .....	1.745
ELBOW, Engine Coolant By-Pass Hose .....	1.097
ELBOW, Fuel Injection .....	3.330
ELBOW, Fuel Line .....	3.163
ELBOW, Heater Motor Cool .....	8.859
ELBOW, Oil Pressure Gage .....	1.803
ELBOW, Power Brake Booster(Vacuum) .....	4.931
ELEMENT, Carburetor Air Cleaner .....	3.410
ELEMENT, Cigarette Lighter .....	9.709
ELEMENT, Engine Fuel .....	3.890
ELEMENT, Oil Filter .....	1.836
EMBLEM, Engine Valve Rocker Arm .....	0.386
EMBLEM, Floor Console .....	10.240
EMBLEM, Front Fender Name .....	8.147
EMBLEM, Fuel Tank Filler .....	12.945
EMBLEM, Hood Panel Ornamentation .....	8.055
EMBLEM, Horn Button .....	2.820
EMBLEM KIT, Front Fender Name .....	8.147
EMBLEM KIT, Radiator Grille and Front End Ornamentation .....	1.303
EMBLEM, License Plate .....	7.800
EMBLEM, Radiator Grille and Front End Ornamentation .....	1.303
EMBLEM, Rear Compartment Lid and Rear End Panel .....	12.182
EMBLEM, Wheel Cover Appearance .....	5.871
END, Concealed Headlamp Opening Cover .....	2.770
ENGINE, Engine .....	0.033
ENGINE, Universal .....	0.000
EQUALIZER, Parking Brake Cable .....	4.765
ESCUTCHEON, Arm Rest Ash Tray .....	12.048
ESCUTCHEON, Door Lock Inside Handle Escutcheon(Trim Protector) .....	10.515
ESCUTCHEON, Door Outside Handle .....	10.537
ESCUTCHEON, Door Window Regulator Handle .....	10.805
ESCUTCHEON, Front Seat Head Restraint .....	11.376
ESCUTCHEON, Ignition Switch Warning, Lock or Headlamp .....	2.195
ESCUTCHEON, Instrument Panel Compartment Door Lock .....	10.267

### F

FAN, A.C. Evaporator Blower .....	9.216
FAN, Air Injector Reactor Pump .....	3.665
FAN, Engine Air Cooling(Electrical) .....	1.055
FAN, Engine Cooling .....	1.064
FAN, Generator .....	2.274
FAN, Heater and Defroster .....	8.857
FAN, Rear Window Defogger .....	9.778
FAN, Roof Ventilation .....	12.811
FASTENER, Bottom of Top Front Roof Rail to Windshield .....	14.060
FASTENER, Door Handle Push Button .....	12.195
FASTENER, Door Weatherstrip .....	10.695
FASTENER, Front Door Trim .....	14.685
FASTENER, Front Door Trim Binding Strip .....	14.683
FASTENER, Front Door Window .....	10.685
FASTENER, Hardtop .....	13.346
FASTENER, Instrument Panel .....	15.280
FASTENER, Radiator .....	1.270
FASTENER, Radio Mounting .....	9.667
FASTENER, Roof Panel .....	12.810
FASTENER, Windshield Garnish Molding .....	10.056
FELT, Air Outlet .....	9.264
FELT, Front Wheel Hub Bearing .....	6.326
FERRULE, Hardtop .....	13.346
FERRULE, Headlamp Switch .....	2.487
FERRULE, Ignition Lock .....	2.198
FILLER, Bumper Face .....	7.831
FILLER, Bumper Guard .....	7.828
FILLER, Front Door Window .....	10.685
FILLER, Windshield Upper and Lower .....	12.807
FILTER, Air Injection Reactor and Exhaust Gas Recirculation .....	3.680
FILTER, Carburetor and Fuel Meter Fuel Inlet .....	3.740
FILTER, Concealed Headlamp Control Drive .....	2.760
FILTER, Engine Fuel .....	3.890
FILTER, Fuel Tank Evaporator Control(Engine End) .....	3.130
FILTER, Fuel Tank Gage .....	3.110
FILTER, Instrument Cluster .....	9.748
FILTER KIT, Engine Fuel .....	3.890
FILTER, Oil Filter .....	1.836
FILTER, Power Brake Booster .....	4.913
FILTER, Tachometer .....	9.750

## ALPHABETICAL INDEX

FILTER, Transmission Oil Pan .....	4.197	GASKET, Engine Coolant Outlet .....	1.154
FILTER, Windshield Washer .....	10.154	GASKET, Engine Cylinder Head .....	0.289
FITTING, A.C. Compressor .....	9.226	GASKET, Engine Front Cover .....	0.207
FITTING, Air Injection Reactor and Exhaust Gas Recirculation .....	3.680	GASKET, Engine Fuel .....	3.890
FITTING, Auto Shock Absorber .....	7.447	GASKET, Engine Valve Rocker Arm Cover .....	0.423
FITTING, Intake Manifold Vacuum .....	3.278	GASKET, Exhaust Manifold Heater .....	3.602
FITTING, Oil Pressure Gage .....	1.803	GASKET, Exhaust Pipe .....	3.611
FITTING, Power Brake Booster(Vacuum) .....	4.931	GASKET, Folding and Hard Top .....	14.080
FITTING PKG, Filler(Group 7.482) .....	21.205	GASKET, Fuel Gage to Tank .....	3.112
FITTING, Speedometer Driven Gear .....	4.338	GASKET, Fuel Injection .....	3.308
FITTING, Steering Gear Oil Pressure Hose .....	6.673	GASKET, Fuel Injector Metering .....	3.332
FLANGE, Air Cleaner to Carburetor Mounting .....	3.406	GASKET, Fuel Meter Control .....	3.318
FLANGE, Exhaust Pipe .....	3.610	GASKET, Fuel Pump Mounting .....	3.904
FLANGE, Exhaust Tail Pipe .....	3.705	GASKET, Fuel Tank Filler Neck .....	3.008
FLANGE, Oil Pan Drain .....	1.453	GASKET, Generator Drive End .....	2.307
FLANGE, Propeller Shaft Pinion .....	5.545	GASKET, Headlamp Body to Fender .....	2.722
FLANGE, Rear Axle Universal Joint .....	5.425	GASKET, Heater and Defroster .....	8.857
FLANGE, Rear Wheel .....	5.806	GASKET, Heater Core .....	8.854
FLANGE, Steering Gear Shaft .....	6.525	GASKET, Hydraulic Steering Valve .....	6.554
FLANGE, Transmission Oil .....	4.195	GASKET, Ignition Switch Warning, Lock or Headlamp .....	2.195
FLANGE, Transmission Low Sun Gear and Clutch .....	4.162	GASKET, Instrument Cluster .....	9.749
FLASHER, Ignition Switch Warning, Lock or Headlamp .....	2.195	GASKET KIT, Carburetor .....	3.724
FLASHER, Side Marker and Hazard Flasher .....	2.575	GASKET KIT, Door Outside Handle .....	10.537
FLASHER, Turn Signal Lamp .....	2.892	GASKET KIT, Engine .....	0.010
FLOAT, Carburetor and Fuel Meter .....	3.745	GASKET KIT, Engine Cylinder Head .....	0.289
FLUID, Hydraulic Brake System .....	4.683	GASKET KIT, Manifold to Cylinder Head .....	3.270
FLYWHEEL, Engine Crankshaft .....	0.666	GASKET KIT, Oil Pan .....	1.429
FORK, Engine Clutch Release .....	0.795	GASKET KIT, Transmission Overhaul .....	4.005
FORK, Transmission Gearshift .....	4.303	GASKET KIT, Transmission Control Valve .....	4.265
FRAME, Back Window .....	11.204	GASKET KIT, Transmission Overhaul .....	4.005
FRAME, Carburetor Air Cleaner Controls .....	3.415	GASKET, Main Cylinder Outlet Fitting .....	4.661
FRAME, Chassis Frame .....	7.003	GASKET, Manifold to Cylinder Head .....	3.270
FRAME, Front Seat Back .....	11.373	GASKET, Oil Filter .....	1.844
FRAME, Front Seat Cushion .....	11.419	GASKET, Oil Pan Drain Plug .....	1.456
FRAME, Generator Drive End .....	2.305	GASKET, Power Brake Booster(Vacuum) .....	4.931
FRAME, Generator Slip Ring .....	2.297	GASKET, Power Brake Booster .....	4.910
FRAME, License Plate .....	7.800	GASKET, Radio Antenna .....	9.647
FRAME, Plenum Air .....	9.789	GASKET, Rear Axle or Final Drive Filler and Drain .....	5.400
FRAME, Rear Compartment Floor .....	12.981	GASKET, Rear Axle Housing Cover .....	5.399
FRAME, Roof Panel .....	12.810	GASKET, Rear View Mirror .....	10.186
FRAME, Starter Motor Commutator End .....	2.067	GASKET, Rear Window Defogger .....	9.778
FRAME, Windshield Side .....	12.808	GASKET, Spark Plug .....	2.271
FRAME, Windshield Upper and Lower .....	12.807	GASKET, Speedometer to Instrument Panel(Domestic) .....	9.761
FUSE, A.C. Compressor (Internal Parts)(Axial) .....	9.172	GASKET, Starter Solenoid .....	2.104
<b>G</b>			
GAGE, Engine Coolant Temperature (Dash Unit) .....	1.148	GASKET, Steering Gear Housing Side Cover .....	6.809
GAGE, Fuel Tank Meter .....	3.107	GASKET, Tail Lamp .....	2.660
GAGE, Instrument Panel .....	2.515	GASKET, Tail Lamp Lens .....	2.684
GAGE, Instrument Panel Fuel Gage .....	3.108	GASKET, Transmission Cover .....	4.109
GAGE, Oil Pressure Gage .....	1.803	GASKET, Transmission Main Drive Gear Bearing Retainer .....	4.358
GASKET, A.C. Compressor .....	9.177	GASKET, Transmission Rear Main Bearing .....	4.318
GASKET, A.C. Evaporator Expansion Valve .....	9.214	GASKET, Transmission Case .....	4.109
GASKET, A.C. Evaporator .....	9.211	GASKET, Transmission Rear Main Bearing .....	4.318
GASKET, Air Duct .....	9.782	GASKET, Transmission Control Valve .....	4.265
GASKET, Air Injection Reactor and Exhaust Gas Recirculation .....	3.680	GASKET, Transmission Oil Pan .....	4.196
GASKET, Automatic Choke Control .....	3.750	GASKET, Transmission Oil Pump .....	4.226
GASKET, Axle Housing to Differential Carrier .....	5.508	GASKET, Transmission Rear Servo .....	4.241
GASKET, Back Up Lamp .....	2.697	GASKET, Transmission Main Valve Body .....	4.217
GASKET, Brake Flange Plate .....	5.002	GASKET, Transmission Governor .....	4.256
GASKET, Brake Master Cylinder .....	4.651	GASKET, Transmission Oil Pump .....	4.203
GASKET, Carburetor and Fuel Meter Fuel Inlet .....	3.740	GASKET, Transmission Oil Pan .....	4.197
GASKET, Carburetor to Manifold .....	3.726	GASKET, Transmission Governor .....	4.256
GASKET, Carburetor Air Cleaner and Silencer .....	3.403	GASKET, Transmission Oil Pan .....	4.196
GASKET, Carburetor Float Bowl to Cover (or Air Horn) .....	3.738	GASKET, Transmission Vacuum .....	4.205
GASKET, Carburetor Idle Air Compensator .....	3.820	GASKET, Transmission Oil Pump Suction .....	4.197
GASKET, Choke Heater or Air .....	3.603	GASKET, Transmission Main Drive Gear Bearing Retainer .....	4.358
GASKET, Crankcase Oil Filler .....	1.758	GASKET, Transmission Extension .....	4.318
GASKET, Distributor and Fuel Injector .....	2.363	GASKET, Transmission Servo .....	4.212
GASKET, Door Handle Push Button .....	12.195	GASKET UNIT, Oil Pan .....	1.429
GASKET, Door Hinge .....	10.450	GASKET, Valve Push Rod Cover .....	0.443
GASKET, Door Inner Panel .....	10.355	GASKET, Windshield Washer Pump .....	10.153
GASKET, Door Outside Lock .....	10.550	GASKET, Windshield Wiper Motor .....	10.152
GASKET, Emission Control System .....	3.671	GATE, Transmission Gearshift Shaft .....	4.027
GASKET, Engine Coolant Pump .....	1.079	GATE, Transmission Shift Control Lever .....	4.027
		GEAR, Concealed Headlamp Control Drive .....	2.760
		GEAR, Differential Pinion .....	5.526
		GEAR, Differential Side .....	5.528
		GEAR, Engine Flywheel .....	0.673
		GEAR KIT, Differential Side .....	5.527
		GEAR KIT, Distributor Drive and Driven .....	2.374

## ALPHABETICAL INDEX

<p>GEAR KIT, Transmission Governor ..... 4.256</p> <p>GEAR, Radio Antenna ..... 9.647</p> <p>GEAR, Ring and Pinion ..... 5.529</p> <p>GEAR, Speedometer Drive ..... 4.343</p> <p>GEAR, Speedometer Drive ..... 4.337</p> <p>GEAR, Speedometer Drive ..... 4.343</p> <p>GEAR, Speedometer Drive ..... 4.337</p> <p>GEAR, Steering ..... 6.508</p> <p>GEAR, Steering Gear Pitman ..... 6.850</p> <p>GEAR, Tachometer ..... 9.750</p> <p>GEAR, Transmission Countershaft ..... 4.421</p> <p>GEAR, Transmission Countershaft ..... 4.421</p> <p>GEAR, Transmission First and Reverse ..... 4.417</p> <p>GEAR, Transmission Governor ..... 4.256</p> <p>GEAR, Transmission Input ..... 4.158</p> <p>GEAR, Transmission Main Drive ..... 4.351</p> <p>GEAR, Transmission Main Drive (Clutch) ..... 4.351</p> <p>GEAR, Transmission Reverse Idler ..... 4.430</p> <p>GEAR, Transmission Reverse Idler ..... 4.430</p> <p>GEAR, Transmission Rear Internal Gear ..... 4.187</p> <p>GEAR, Transmission Rear Unit ..... 4.187</p> <p>GEAR, Transmission Second Speed ..... 4.395</p> <p>GEAR, Transmission Speedometer Drive ..... 4.337</p> <p>GEAR, Transmission Speedometer Drive ..... 4.343</p> <p>GEAR, Transmission Sun Gear ..... 4.159</p> <p>GEAR, Transmission Third Gear ..... 4.415</p> <p>GEAR, Transmission 1st and Reverse Sliding ..... 4.417</p> <p>GEAR, Windshield Wiper Motor Drive ..... 10.151</p> <p>GENERATOR, Engine Electrical ..... 2.275</p> <p>GLASS, Back Window ..... 11.204</p> <p>GLASS, Front Door Window ..... 10.681</p> <p>GLASS, Quarter Window ..... 11.011</p> <p>GLASS, Rear Hatch Window ..... 12.180</p> <p>GLASS, Windshield Glass ..... 10.027</p> <p>GOVERNOR KIT, Transmission Governor ..... 4.256</p> <p>GOVERNOR, Transmission Governor ..... 4.256</p> <p>GRILLE, Cowl Top Vent Louver ..... 12.800</p> <p>GRILLE, Hood Panel Ornamentation ..... 8.055</p> <p>GRILLE, Radiator Grille ..... 1.266</p> <p>GRILLE, Radio Auxiliary Speakers ..... 9.665</p> <p>GRILLE, Radio Speaker ..... 9.655</p> <p>GRILLE, Rear Window Defogger ..... 9.778</p> <p>GRILLE, Roof Ventilation ..... 12.811</p> <p>GRILLE, Windshield Defroster ..... 9.779</p> <p>GROMMET, A.C. Refrigerant ..... 9.196</p> <p>GROMMET, Back Up Lamp ..... 2.697</p> <p>GROMMET, Bumper to Body ..... 7.833</p> <p>GROMMET, Chassis Wiring ..... 2.480</p> <p>GROMMET, Concealed Headlamp Control Opening Cover ..... 2.765</p> <p>GROMMET, Concealed Headlamp Control Drive ..... 2.760</p> <p>GROMMET, Crankcase ..... 1.745</p> <p>GROMMET, Distributor ..... 2.383</p> <p>GROMMET, Distributor ..... 2.372</p> <p>GROMMET, Distributor ..... 2.401</p> <p>GROMMET, Door Inside Locking Rod ..... 10.565</p> <p>GROMMET, Engine Valve Rocker Arm ..... 0.386</p> <p>GROMMET, Folding Top Compartment ..... 12.170</p> <p>GROMMET, Folding Top Motor and Pump ..... 14.482</p> <p>GROMMET, Hood Hinge ..... 8.016</p> <p>GROMMET, Hood Latch Release Cable ..... 8.077</p> <p>GROMMET, Hydraulic Steering Cylinder Piston Rod ..... 6.581</p> <p>GROMMET, Instrument Panel Compartment Door ..... 10.262</p> <p>GROMMET, Parking Brake Release ..... 4.594</p> <p>GROMMET, Power Brake Booster(Vacuum) ..... 4.930</p> <p>GROMMET, Power Brake Booster Check(Vacuum) ..... 4.955</p> <p>GROMMET, Radio Antenna ..... 9.647</p> <p>GROMMET, Rear Window Defogger ..... 9.778</p> <p>GROMMET, Seat Belt ..... 14.875</p> <p>GROMMET, Shock Absorber ..... 7.388</p> <p>GROMMET, Spark Plug Wire ..... 2.251</p> <p>GROMMET, Stabilizer Link ..... 7.244</p> <p>GROMMET, Starter Motor Switch ..... 2.102</p> <p>GROMMET, Transmission Oil Pan ..... 4.197</p> <p>GROMMET, Transmission Control Rod To Lever ..... 4.037</p> <p>GROMMET, Windshield Wiper Access ..... 10.130</p> <p>GROMMET, Windshield Wiper Motor ..... 10.150</p> <p>GROMMET, Windshield Wiper Motor ..... 10.152</p> <p>GROMMET, Wiring and Pipes ..... 9.775</p> <p>GUARD, Bumper Guard ..... 7.828</p> <p>GUARD, Engine Fuel Intake Manifold ..... 3.265</p>	<p>GUARD PKG, Fender Splash(Group 8.214) ..... 21.220</p> <p>GUARD, Steering Pump ..... 6.655</p> <p>GUIDE, A.C. Compressor Pulley ..... 9.181</p> <p>GUIDE, Ash Receiver Mounting ..... 12.016</p> <p>GUIDE, Back Window ..... 11.204</p> <p>GUIDE, Differential Clutch ..... 5.511</p> <p>GUIDE, Engine Valve Push Rod ..... 0.439</p> <p>GUIDE, Folding Top Compartment Lid ..... 12.242</p> <p>GUIDE, Folding Top Roof Rail ..... 14.090</p> <p>GUIDE, Generator ..... 2.274</p> <p>GUIDE, Hood Latch Release Cable ..... 8.077</p> <p>GUIDE, Parking Brake Cable ..... 4.785</p> <p>GUIDE, Parking Brake Release ..... 4.594</p> <p>GUIDE, Plenum Air ..... 9.789</p> <p>GUIDE, Radio Antenna ..... 9.647</p> <p>GUIDE, Seat Belt ..... 14.875</p> <p>GUIDE, Steering Column ..... 6.514</p> <p>GUIDE, Steering Gear Ball Return ..... 6.842</p> <p>GUIDE, Transmission Clutch ..... 4.164</p> <p>GUIDE, Transmission Oil Pump ..... 4.226</p> <p>GUSSET, Differential Carrier Mounting ..... 5.500</p> <p>GUSSET, Frame Front Cross Member ..... 7.039</p> <p>GUSSET, Front Body Hinge Pillar ..... 12.840</p>
<b>H</b>	
<p>HAMMER, Wheel and Jack Wrench ..... 8.821</p> <p>HANDLE, Door Inside Locking Rod ..... 10.559</p> <p>HANDLE, Door Lock Inside ..... 10.512</p> <p>HANDLE, Door Outside Handle ..... 10.527</p> <p>HANDLE, Door Window Regulator ..... 10.797</p> <p>HANDLE, Front Door Trim Finish ..... 14.691</p> <p>HANDLE, Parking Brake Apply Lever ..... 4.592</p> <p>HANDLE, Quarter Window ..... 11.044</p> <p>HANDLE, Rear Compartment Floor ..... 12.981</p> <p>HANDLE, Transmission Gearshift Control (Hand) ..... 4.006</p> <p>HANDLE, Transmission Control ..... 4.006</p> <p>HANDLE, Transmission Control Lever ..... 4.006</p> <p>HANGER, Catalytic Converter ..... 3.690</p> <p>HANGER, Exhaust Mounting ..... 3.706</p> <p>HANGER, Exhaust Muffler ..... 3.704</p> <p>HANGER, Exhaust Pipe ..... 3.616</p> <p>HANGER KIT, Exhaust Mounting ..... 3.706</p> <p>HANGER KIT, Exhaust Muffler ..... 3.704</p> <p>HANGER, Roof Panel ..... 12.810</p> <p>HANGER, Spare Wheel ..... 7.629</p> <p>HARNESS, A.C. Wiring ..... 9.276</p> <p>HARNESS, Body Wiring ..... 13.090</p> <p>HARNESS, Chassis Wiring ..... 2.480</p> <p>HARNESS, Cruise Control ..... 3.887</p> <p>HARNESS, Distributor ..... 2.383</p> <p>HARNESS, Door Electric and Vacuum Locks ..... 10.485</p> <p>HARNESS, Engine Wiring ..... 2.525</p> <p>HARNESS, Heater Control ..... 8.852</p> <p>HARNESS HOSE-PIPE, Air Injection Reactor ..... 3.675</p> <p>HARNESS, Inside and Outside Rear View ..... 10.185</p> <p>HARNESS KIT, Radio and Speaker ..... 9.656</p> <p>HARNESS KIT, Seat Belt ..... 14.875</p> <p>HARNESS, Radio and Speaker ..... 9.656</p> <p>HARNESS, Radio Antenna ..... 9.647</p> <p>HARNESS, Rear Window Defogger ..... 9.778</p> <p>HARNESS, Seat Belt ..... 14.875</p> <p>HARNESS, Towing ..... 7.068</p> <p>HEAD, A.C. Compressor ..... 9.174</p> <p>HEAD, Engine Cylinder ..... 0.269</p> <p>HEAD, Power Brake Booster(Vacuum) ..... 4.924</p> <p>HEAD, Speedometer to Instrument Panel(Domestic) ..... 9.761</p> <p>HEATER PKG, Engine Block(Group 1.152) ..... 21.240</p> <p>HEAT SINK, Generator ..... 2.319</p> <p>HINGE, Door Hinge ..... 10.450</p> <p>HINGE, Front Seat Bottom Hinge ..... 11.375</p> <p>HINGE, Fuel Tank Filler ..... 12.945</p> <p>HINGE, Hood Panel ..... 8.015</p> <p>HINGE, Rear Compartment Floor ..... 12.981</p> <p>HINGE, Rear Compartment Lid and End Gate ..... 12.184</p> <p>HOLDER KIT, Carburetor Metering ..... 3.806</p> <p>HOLDER KIT, Generator Brush ..... 2.291</p> <p>HOLDER, Starter Motor Brush ..... 2.052</p> <p>HOLDER, Windshield Wiper Motor ..... 10.150</p> <p>HOOD, Panel ..... 8.000</p>	

## ALPHABETICAL INDEX

HOOK, Coat .....	15.388
HOOK, Rear Compartment Floor .....	12.981
HORN, Carburetor Air .....	3.730
HORN, Ignition Switch Warning, Lock or Headlamp .....	2.195
HORN, Warning .....	2.810
HOSE, A.C. Refrigerant (Metal and Rubber Sections) .....	9.225
HOSE, A.C. Vacuum & Temperature .....	9.281
HOSE, Air Distributor .....	9.786
HOSE, Air Injection Reactor .....	3.675
HOSE, Air Outlet .....	9.260
HOSE, Back Window Gutter .....	10.997
HOSE, Crankcase Ventilation .....	1.782
HOSE, Engine Coolant By-Pass Hose .....	1.097
HOSE, Fuel Line .....	3.183
HOSE, Fuel Tank Filler .....	3.003
HOSE, Heater .....	8.846
HOSE, Heater Temperature Control .....	8.850
HOSE, Oil Pressure Gage .....	1.803
HOSE, Power Brake Booster(Vacuum) .....	4.931
HOSE, Radiator Inlet (upper) .....	1.159
HOSE, Radiator Outlet (lower) .....	1.173
HOSE, Steering Gear Oil Return .....	6.671
HOSE, Steering Gear Oil Pressure .....	6.670
HOSE, Transmission Vacuum .....	4.205
HOSE, Wheel Brake .....	4.680
HOSE, Windshield Defroster .....	9.779
HOUSING, A.C. Refrigerant .....	9.195
HOUSING, Air Distributor .....	9.736
HOUSING, Bolt Engine Clutch .....	0.683
HOUSING, Brake Cylinder and Pedal Shaft .....	4.648
HOUSING, Cigarette Lighter .....	9.709
HOUSING, Concealed Headlamp Opening Cover .....	2.770
HOUSING, Dome and Reading Lamp .....	11.927
HOUSING, Door Outside Handle .....	10.529
HOUSING, Folding and Hard Top .....	14.080
HOUSING, Front Door Wedge .....	10.584
HOUSING, Front Door Window Regulator .....	10.783
HOUSING, Heater Control .....	8.852
HOUSING, Ignition Distributor .....	2.362
HOUSING, Instrument Cluster Warning .....	9.765
HOUSING KIT, Radio Antenna .....	9.647
HOUSING KIT, Steering Column .....	6.518
HOUSING KIT, Steering Column .....	6.514
HOUSING KIT, Transmission Clutch .....	4.169
HOUSING, Outside Air .....	9.787
HOUSING, Parking, Turn Signal and Cornering Lamp .....	2.586
HOUSING, Radiator Grille .....	1.266
HOUSING, Radio Antenna .....	9.647
HOUSING, Radio Auxiliary Speakers .....	9.665
HOUSING, Roof Panel .....	12.810
HOUSING, Speedometer to Instrument Panel(Domestic) .....	9.761
HOUSING, Starter Motor Drive .....	2.085
HOUSING, Steering Column .....	6.518
HOUSING, Steering Gear .....	6.803
HOUSING, Steering Pump .....	6.608
HOUSING, Tail Lamp .....	2.680
HOUSING, Temperature Control .....	8.858
HOUSING, Transmission Control Lever .....	4.010
HOUSING, Transmission Input .....	4.158
HOUSING, Transmission Servo & Accumulator .....	4.228
HOUSING, Transmission Clutch .....	4.169
HOUSING, Transmission Control Lever .....	4.010
HOUSING, Wheel Brake .....	4.665
HUB, Front and Rear Wheel Brake .....	5.809
HUB, Front Wheel .....	6.307
HUB, Steering Wheel .....	6.512
HUB, Transmission Clutch .....	4.164
HUB, Wheel Cover Appearance .....	5.871
<b>I</b>	
INDICATOR, Oil Level .....	1.516
INDICATOR, Transmission Control Indicator .....	4.020
INDICATOR, Transmission Oil Filler .....	4.133
INLET, A.C. Refrigerant .....	9.195
INSERT, Brake Hose .....	4.671
INSERT, Carburetor Float .....	3.734

INSERT, Carburetor Metering .....	3.806
INSERT, Concealed Headlamp Motor .....	2.755
INSERT, Lamp Monitor .....	2.584
INSERT, Luggage Carrier .....	12.815
INSERT, Main Cylinder Outlet Fitting .....	4.661
INSERT, Transmission Control Lever Trim .....	4.017
INSERT, Wheel Cover Appearance .....	5.871
INSERT, Windshield Wiper .....	10.146
INSULATION, Carburetor to Manifold .....	3.726
INSULATION, Floor Pan .....	15.492
INSULATION, Starter Motor .....	2.049
INSULATOR, A.C. Expansion Refrigerant .....	9.213
INSULATOR, Body to Frame Bolt .....	9.023
INSULATOR, Carburetor to Manifold .....	3.726
INSULATOR, Distributor .....	2.383
INSULATOR, Door Lock .....	10.506
INSULATOR, Exhaust Muffler .....	3.704
INSULATOR, Floor Pan .....	15.492
INSULATOR, Floor Pan .....	12.980
INSULATOR, Fuel Tank Mounting .....	3.022
INSULATOR, Generator .....	2.313
INSULATOR, Hood Panel .....	8.021
INSULATOR, Horn Button Blowing .....	2.819
INSULATOR, Instrument Panel .....	15.280
INSULATOR, Radiator .....	1.270
INSULATOR, Rear Spring .....	7.545
INSULATOR, Roof Panel .....	12.810
INSULATOR, Wheel Cylinder .....	4.668
INTERLOCK, Transmission Gearshift Shaft .....	4.027

### J

JACK, auto Jack .....	8.820
JACKET, Steering Column .....	6.518
JET, Carburetor Metering Rod, with Gasket .....	3.792

### K

KEY, A.C. Compressor Clutch Actuating .....	9.188
KEY, Door Outside Lock .....	10.550
KEY, Engine Valve Spring .....	0.310
KEY, Hydraulic Steering Adapter .....	6.550
KEY, Ignition and Locks .....	2.187
KEY, Speedometer Adapter .....	4.330
KEY, Speedometer Drive Adapter .....	4.330
KEY, Transmission Speedometer Drive .....	4.330
KEY, Transmission Synchronizing .....	4.384
KEY, Transmission Synchronizer .....	4.384
KIT, A.C. Refrigerant .....	9.195
KIT, Brake Shoe Adjusting .....	5.110
KIT, Engine Tune-up .....	2.270
KIT, Steering Gear Repair .....	6.507
KNOB, Clock .....	9.772
KNOB, Door Inside Locking Rod .....	10.559
KNOB, Door Lock Inside .....	10.512
KNOB, Door Lock Inside Handle Escutcheon(Trim Protector) .....	10.515
KNOB, Front Door Vent Regulator .....	10.664
KNOB, Front Seat Manual Adjuster .....	11.588
KNOB, Heater Control .....	8.852
KNOB KIT, Clock .....	9.772
KNOB, Outside Air .....	9.787
KNOB, Radio Control .....	9.649
KNOB, Rear Window Defogger .....	9.778
KNOB, Seat Back Locking .....	11.390
KNOB, Side Marker and Hazard Flasher .....	2.575
KNOB, Speedometer to Instrument Panel(Domestic) .....	9.761
KNOB, Transmission Control Lever .....	4.006
KNOB, Transmission Control .....	4.006
KNOB, Transmission Gearshift Control (Hand) .....	4.006
KNOB, Turn Signal Control .....	2.897
KNOB, Windshield Washer and Wiper Control .....	10.164
KNUCKLE, Steering .....	6.020

## ALPHABETICAL INDEX

### L

LABEL, Fuel Tank Filler .....	12.945
LABEL, Fuel Tank Filler .....	3.028
LAMP, Back Up Lamp .....	2.697
LAMP, Luggage Compartment .....	9.988
LAMP, Parking, Turn Signal and Cornering .....	2.585
LAMP PKG, Fog(Group 2.727) .....	21.270
LAMP, Rear License Lamp .....	2.700
LAMP, Side Marker and Hazard Flasher .....	2.575
LAMP, Tail lamp .....	2.679
LAMP, Underhood .....	8.890
LATCH, Rear Compartment .....	12.247
LEAD, Distributor .....	2.400
LEAD, Starter Motor Brush Ground .....	2.055
LENS, A.C. Control .....	9.279
LENS, Back Up Lamp .....	2.697
LENS, Courtesy Dome and Reading Lamp .....	11.928
LENS, Instrument Cluster .....	9.748
LENS, Instrument Panel Compartment Lamp .....	10.275
LENS, Lamp Monitor .....	2.583
LENS, Parking, T/Signal or Cornering Lamp .....	2.589
LENS, Rear License Lamp .....	2.709
LENS, Sunshade Vanity Mirror .....	10.195
LENS, Tail Lamp .....	2.682
LENS, Transmission Control Indicator .....	4.020
LETTER KIT, Hood Panel Ornamentation .....	8.055
LETTER KIT, Rear Compartment Lid and Rear End Panel .....	12.182
LEVEL INDICATOR, Windshield Washer .....	10.154
LEVER, A.C. Control .....	9.278
LEVER, Accelerator Pedal Lever .....	3.454
LEVER, Brake Shoe Automatic Adjusting .....	5.103
LEVER, Carburetor and Fuel Injection Choke .....	3.752
LEVER, Carburetor and Fuel Injection Fast Idle ..	3.766
LEVER, Carburetor Power .....	3.858
LEVER, Carburetor Pump .....	3.842
LEVER, Cruise Control .....	3.883
LEVER, Door Lock .....	10.506
LEVER, Engine Clutch Control .....	0.852
LEVER, Folding Top .....	14.340
LEVER, Ignition Switch Warning, Lock or Headlamp .....	2.195
LEVER KIT, Parking Brake .....	5.149
LEVER, Parking Brake .....	5.149
LEVER, Parking Brake Apply .....	4.591
LEVER, Side Marker and Hazard Flasher .....	2.575
LEVER, Starter Motor Drive Shift .....	2.108
LEVER, Steering Column Housing .....	6.500
LEVER, Steering Column .....	6.514
LEVER, Steering Idler .....	6.895
LEVER, Transmission Control Lever .....	4.010
LEVER, Transmission Control Lever .....	4.006
LEVER, Transmission Control .....	4.045
LEVER, Transmission Control Lever .....	4.006
LEVER, Transmission Detent .....	4.279
LEVER, Transmission Gearshift .....	4.045
LEVER, Transmission Gearshift Shaft .....	4.030
LEVER, Transmission Manual Valve .....	4.218
LEVER, Transmission Shift Control .....	4.030
LEVER, Transmission Shift Control .....	4.004
LEVER, Transmission Throttle Valve .....	4.278
LEVER, Transmission Throttle Valve .....	4.275
LEVER, Turn Signal Control .....	2.897
LEVER, Turn Signal Lamp .....	2.895
LIFTER, Engine Valve .....	0.459
LIMITER, Carburetor and Fuel Injection Idle Adjusting Screw .....	3.823
LINER, Door Inner Panel .....	10.355
LINER, Front Door Trim .....	14.685
LINER, Rear Leaf Spring .....	7.495
LINK, Air Distributor .....	9.786
LINK, Brake Shoe Automatic Adjusting Lever .....	5.105
LINK, Carburetor .....	3.755
LINK, Concealed Headlamp Control Opening Cover .....	2.765
LINK, Cruise Control .....	3.885
LINK, Stabilizer .....	7.240
LINK, Transmission Control Indicator .....	4.020
LINK, Transmission Detent .....	4.279
LINK, Transmission Throttle Valve .....	4.275
LINK, Wheel Cylinder to Brake Shoe Thrust .....	4.675
LITTER PKG, Container & Tissue(Group 8.891) ..	21.320

LOCK, Air Injection Reactor and Exhaust Gas Recirculation .....	3.680
LOCK, Air Injection Reactor .....	3.675
LOCK, Back Window Glass .....	11.207
LOCK CYL KIT, Rear Compartment .....	12.248
LOCK, Emission Control System .....	3.671
LOCK, Exhaust Manifold End Bolt .....	3.604
LOCK, Exhaust System Attaching .....	3.708
LOCK, Folding and Hard Top .....	14.080
LOCK, Folding Top Compartment Lid .....	12.242
LOCK, Front Door .....	10.470
LOCK, Ignition Switch .....	2.188
LOCK KIT, Steering Column Housing .....	6.500
LOCK, Rear Axle U Joint .....	5.428
LOCK, Rear Compartment Lid .....	12.242A
LOCK, Roof Panel .....	12.810
LOCK, Seat Back Locking .....	11.390
LOCK, Steering Column Housing .....	6.500
LOCK, Transmission Control Idler .....	4.042
LOCK, Transmission Main Drive Gear Bearing .....	4.356
LOGIC, Body Harness .....	13.095
LOUVER, Front Fender Name .....	8.147
LUBRICATOR KIT, Distributor .....	2.364

### M

MAGNET KIT, Radio Antenna .....	9.647
MAGNET KIT, Transmission Case .....	4.105
MAGNET, Windshield Wiper Motor .....	10.150
MANIFOLD, Engine Exhaust Manifold .....	3.601
MANIFOLD, Engine Fuel Intake Manifold .....	3.265
MAT, Front Floor .....	15.286
MAT, Instrument Panel .....	15.280
MAT, Rear Compartment .....	15.222
MEMBER, Bumper Face .....	7.831
MEMBER, Frame Cross, Intermediate .....	7.012
MEMBER KIT, Front Frame Cross .....	7.010
MEMBER, Rear Frame Cross .....	7.014
MEMBER, Transmission Support .....	7.011
MEMBER, Transmission Mounting .....	4.081
METER, Fuel Tank Meter .....	3.107
MICROPHONE, Radio .....	9.650
MIRROR, Inside and Outside Rear View .....	10.185
MIRROR PKG, Visor Vanity(Group 10.195) .....	21.440
MIRROR, Sunshade Vanity Mirror .....	10.195
MODULATOR KIT, Transmission Vacuum .....	4.205
MODULATOR, Transmission Vacuum .....	4.205
MODULATOR, Transmission Vacuum .....	4.205
MODULE, Chassis Wiring .....	2.480
MODULE, Distributor .....	2.383
MODULE, Emission Control System .....	3.670
MODULE, Instrument Cluster Warning .....	9.765
MOLDING, Back Window Garnish .....	11.120
MOLDING, Back Window Reveal .....	11.208
MOLDING, Exhaust Manifold Heater .....	3.602
MOLDING, Front Door .....	11.112
MOLDING, Front Door Window Reveal .....	10.707
MOLDING, Front Fender and Body Ornamentation .....	8.132
MOLDING, Headlamp .....	2.728
MOLDING, Instrument Panel Trim .....	10.252
MOLDING KIT, Hood Panel .....	8.015
MOLDING PKG, Front Fender and Body Side(Group 8.132) .....	21.450
MOLDING, Radiator Grille .....	1.268
MOLDING, Rear Compartment Floor .....	12.981
MOLDING, Rear Quarter Ornamentation .....	12.116
MOLDING, Rocker Panel .....	8.304
MOLDING, Roof Drip .....	12.075
MOLDING, Roof Panel .....	12.810
MOLDING, Windshield Garnish Molding .....	10.051
MOLDING, Windshield Reveal Molding .....	10.093
MOTOR, A.C. Evaporator Blower .....	9.215
MOTOR, Carburetor Air Cleaner Controls .....	3.415
MOTOR, Concealed Headlamp Control Drive .....	2.760
MOTOR, Engine Air Cooling(Electrical) .....	1.055
MOTOR, Front Door Window Regulator .....	10.783
MOTOR, Heater Blower Motor .....	8.855
MOTOR, Radio Antenna .....	9.647
MOTOR, Rear Window Defogger .....	9.778
MOTOR, Seat Adjuster .....	11.556

## ALPHABETICAL INDEX

MOTOR, Starter .....	2 041
MOTOR, Windshield Wiper Motor .....	10 150
MOUNTING, Engine .....	0 027
MOUNTING, Transmission Mounting .....	4 081
MOUNT, Transmission Mounting .....	4 081
MOUNT, Transmission Mounting .....	4 081

### N

NECK, Fuel Tank Filler .....	3 003
NEEDLE, Carburetor and Fuel Injection Idle Adjusting .....	3 822
NEEDLE KIT, Carburetor and Fuel Meter Intake (with Seat and Gasket) .....	3 814
NIPPLE, Crankcase .....	1 745
NIPPLE, Fuel Tank Filler .....	3 003
NIPPLE, Heater Water Flow .....	8 866
NIPPLE, Spark Plug Wire .....	2 258
NOZZLE, Carburetor .....	3 774
NOZZLE, Fuel Injector Metering .....	3 332
NOZZLE, Windshield Washer .....	10 156
NUMERAL, Hood Panel Ornamentation .....	8 055
NUT, A.C. Compressor Pulley .....	9 181
NUT, A.C. Electric Control .....	9 275
NUT, Air Injection Reactor Pump .....	3 655
NUT, Body Moldings .....	12 118
NUT, Body Rear End(Plastic Laminated) .....	12 986
NUT, Bumper to Body .....	7 833
NUT, Bumper Face .....	7 831
NUT, Carburetor and Fuel Meter Intake (with Seat and Gasket) .....	3 814
NUT, Carburetor and Fuel Meter Fuel Inlet .....	3 740
NUT, Carburetor Air Cleaner and Silencer .....	3 493
NUT, Chassis Wiring Harness .....	2 559
NUT, Clock .....	9 772
NUT, Clutch Release Lever .....	0 873
NUT, Crankcase .....	1 745
NUT, Distributor .....	2 383
NUT, Door Lock .....	10 474
NUT, Door Outside Handle .....	10 527
NUT, Door Window .....	10 716
NUT, Door Window Regulator .....	10 792
NUT, Emission Control System .....	3 671
NUT, Engine Air Cooling(Electrical) .....	1 055
NUT, Engine Connecting Rod Bolt .....	0 626
NUT, Engine Mounting .....	0 002
NUT, Engine Valve Adjusting .....	0 429
NUT, Exhaust Muffler .....	3 704
NUT, Exhaust Pipe .....	3 613
NUT, Exhaust Pipe .....	3 616
NUT, Front Door Trim Finish .....	14 691
NUT, Front Door Window .....	10 685
NUT, Front Fender Name .....	8 147
NUT, Fuel Tank Filler .....	12 945
NUT, Generator Rotor Shaft .....	2 280
NUT, Hardtop .....	13 346
NUT, Headlamp Mounting .....	2 729
NUT, Headlamp Retaining Ring .....	2 736
NUT, Headlamp Switch .....	2 487
NUT, Heater and Defroster .....	8 857
NUT, Hood Panel Closing .....	8 024
NUT, Hub, Front and Rear .....	5 813
NUT, Hydraulic Steering Cylinder .....	6 575
NUT, Ignition Lock .....	2 198
NUT, Instrument Cluster .....	9 743
NUT, Instrument Panel Compartment Door .....	10 262
NUT KIT, A.C. Compressor .....	9 170
NUT, License Plate .....	7 800
NUT, Luggage Carrier .....	12 815
NUT, Luggage Compartment .....	9 988
NUT, Propeller Shaft Pinion Flange .....	5 595
NUT, Radiator .....	1 270
NUT, Radiator Baffle and Shroud .....	1 276
NUT, Radiator Grille .....	1 269
NUT, Radiator Grille and Front End Panel .....	1 267
NUT, Radiator Grille and Front End Ornamentation .....	1 303
NUT, Radio Antenna .....	9 647
NUT, Radio Mounting .....	9 667
NUT, Radio Static Suppression .....	9 663
NUT, Rear Axle .....	5 829

NUT, Rear Axle Control Arm .....	5 393
NUT, Rear Compartment Floor .....	12 981
NUT, Rear Compartment Lid and End Gate .....	12 184
NUT, Rear Compartment Lid Lock .....	12 237
NUT, Rear Spring and Axle .....	7 529
NUT, Rear Spring and Shock Absorber Anchor Plate .....	7 516
NUT, Rear View Mirror .....	10 186
NUT, Rear Window Defogger .....	9 778
NUT, Rocker Panel Molding .....	8 309
NUT, Roof .....	12 952
NUT, Roof Panel .....	12 812
NUT, Roof Panel .....	12 810
NUT, Shock Absorber .....	7 347
NUT, Shock Absorber Anchor .....	7 395
NUT, Side Marker and Hazard Flasher .....	2 575
NUT, Spare Wheel Carrier .....	7 633
NUT, Speedometer to Instrument Panel(Domestic) .....	9 761
NUT, Stabilizer Link .....	7 245
NUT, Starter Solenoid .....	2 104
NUT, Steering Column Attaching .....	6 760
NUT, Steering Gear Housing .....	6 832
NUT, Steering Gear Shaft .....	6 525
NUT, Steering Knuckle Spindle .....	6 022
NUT, Steering Knuckle Lower Control Arm .....	6 172
NUT, Steering Pitman Arm .....	6 861
NUT, Steering Pump .....	6 655
NUT, Steering Relay & Tie Rod .....	6 104
NUT, Tail Lamp .....	2 660
NUT, Transmission Band Adjusting .....	4 253
NUT, Transmission Control Indicator .....	4 022
NUT, Transmission Control Rod .....	4 037
NUT, Transmission Control Rod To Lever .....	4 037
NUT, Transmission Gearshift Rod .....	4 037
NUT, Transmission Main Drive Gear Bearing .....	4 356
NUT, Transmission Throttle Valve .....	4 275
NUT, Underhood .....	8 890
NUT, Upper Control Arm Shaft .....	6 164
NUT, Windshield Wiper Motor Drive .....	10 151
NUT, Windshield Wiper Access .....	10 130

### O

O-RING, A.C. Compressor Pressure Relief .....	9 178
OIL, A.C. Maintenance .....	9 282
ORIFICE, A.C. Expansion Refrigerant .....	9 213
O RING, A.C. Compressor (Internal parts)(Radial) .....	9 172A
O RING, A.C. Compressor (Internal Parts)(Axial) .....	9 172
O RING, A.C. Refrigerant .....	9 196
O RING KIT, A.C. Compressor .....	9 170
O RING, Power Brake Booster(Vacuum) .....	4 924
O RING, Rear Axle Shaft Bearing or Hub .....	5 822
O RING, Suction Throttling (P.O.A.) .....	9 198
O RING, Turn Signal Lamp .....	2 895
ORNAMENT, Hood Panel Ornamentation .....	8 055
ORNAMENT, Parking, Turn Signal and Cornering Lamp .....	2 586
ORNAMENT, Wheel Cover Appearance .....	5 871
OUTLET, Air Distributor .....	9 262
OUTLET, Engine Coolant .....	1 153
OVERHAUL KIT, Transmission Overhaul .....	4 005

### P

PACKING, Exhaust Pipe .....	3 611
PAD, Brake and Clutch Pedal .....	4 630
PAD, Door .....	10 587
PAD, Front Seat Back .....	14 802
PAD, Instrument Panel .....	14 655
PAD, Steering Column Housing .....	6 500
PAN, Engine Oil .....	1 426
PANEL, Air Distributor .....	9 262
PANEL, Back Window Inner .....	12 964
PANEL, Body Rear End(Plastic Laminated) .....	12 986
PANEL, Cowl Top Vent Louver .....	12 800
PANEL, Door Opening Rocker .....	12 934
PANEL, Folding Top Front Roof .....	14 050

## ALPHABETICAL INDEX

PANEL, Front Door	10.351	PIN, Transmission Reverse Idler Gear	4.435
PANEL, Front Door Trim	14.685	PIN, Transmission Reverse Idler Shaft	4.435
PANEL, Front Fender	8.130	PIN, Transmission Servo & Accumulator	4.228
PANEL, Front Seat Back Trim	11.358	PIN, Transmission Servo & Accumulator	4.229
PANEL, Instrument Panel	10.230	PIN, Transmission Shift Shaft Detent	4.311
PANEL, Panel	8.000	PIN, Transmission Shift Control Cable	4.047
PANEL, Plenum Air	9.789	PIN, Transmission Throttle Valve	4.275
PANEL, Radiator	1.263	PIPE, Air Cleaner Air Intake	3.417
PANEL, Radio Auxiliary Speakers	9.665	PIPE, Air Injection Reactor	3.675
PANEL, Rear Body Lock Pillar	12.942	PIPE, Automatic Choke Control	3.750
PANEL, Rear Compartment	15.222	PIPE, Carburetor and Fuel Meter Fuel Inlet	3.740
PANEL, Rear Compartment Floor	12.981	PIPE, Choke Heater or Air	3.6C3
PANEL, Rear Compartment Lid and Rear End Panel	12.182	PIPE, Crankcase Ventilation	1.762
PANEL, Rear End	12.966	PIPE, Early Fuel Evaporation	3.145
PANEL, Rear Quarter	15.100	PIPE, Exhaust Manifold Heat	3.647
PANEL, Rear Quarter Side Outer	12.940	PIPE, Fuel Line	3.163
PANEL, Rear Quarter Trim Pad	15.101	PIPE, Heater	8.846
PANEL, Rear Quarter Upper (Above Belt)	14.645	PIPE, Oil Pressure Gage	1.803
PANEL, Roof Panel	12.810	PIPE, Steering Gear Oil Pressure	6.670
PANEL, Roof Trim Headlining	14.640	PIPE, Transmission Case	4.104
PANEL, Shroud and Dash and Vent Duct	12.304	PIPE, Transmission Oil Pan	4.197
PANEL, Tail Lamp	2.680	PIPE, Transmission Oil	4.248
PANEL, Windshield Wiper Access	10.130	PIPE, Transmission Oil Cooler	4.128
PAN KIT, Engine Oil	1.426	PIPE, Transmission Vacuum	4.205
PAN, Transmission Oil	4.195	PISTON, A.C. Compressor (Internal Parts)(Axial)	9.172
PAWL, Door Outside Lock Cylinder	10.551	PISTON, Brake Master Cylinder Secondary	4.653
PAWL KIT, Windshield Washer Pump	10.153	PISTON, Carburetor Power	3.858
PAWL, Transmission Park Lock	4.220	PISTON, Engine	0.629
PAWL, Transmission Parking Brake	4.254	PISTON KIT, Power Brake Booster(Vacuum)	4.922
PAWL, Windshield Wiper Motor Drive	10.151	PISTON KIT, Transmission Clutch	4.166
PEDAL, Accelerator Pedal	3.451	PISTON, Power Brake Booster(Vacuum)	4.922
PEDAL, Brake Pedal	4.625	PISTON, Suction Throttling (P.O.A.)	9.198
PEDAL, Engine Clutch Pedal	0.830	PISTON, Transmission Clutch	4.166
PILLAR, Front Body Hinge Pillar	12.840	PISTON, Transmission Low Servo	4.166
PILLAR, Rear Body Lock Pillar	12.942	PISTON, Transmission Clutch	4.228
FILTER, Engine Fuel	3.890	PISTON, Transmission Servo & Accumulator	4.241
PIN, A.C. Compressor Pressure Relief	9.178	PISTON, Transmission Rear Servo	4.668
PIN, Accelerator Pedal Mounting	3.452	PISTON, Wheel Cylinder	10.153
PIN, Brake Shoe Anchor	5.055	PISTON, Windshield Washer Pump	5.103
PIN, Brake Shoe Hold Down	5.043	PIVOT, Brake Shoe Automatic Adjusting	
PIN, Carburetor and Fuel Meter Float Lever	3.747	PIVOT, Concealed Headlamp Control Opening Cover	2.765
PIN, Clutch Fork Push Rod Adj	0.793	PIVOT, Headlamp Dimmer	2.459
PIN, Clutch Release Lever	0.875	PIVOT KIT, Headlamp Dimmer	2.459
PIN, Concealed Headlamp Control Opening Cover	2.765	PLASTIGAGE, Engine Main Bearing Clearance	0.093
PIN, Distributor Shaft Thrust and Gear	2.379	PLATE, A.C. Compressor (Internal Parts)(Axial)	9.172
PIN, Door Hinge	10.466	PLATE, A.C. Compressor (Internal parts)(Radial)	9.172A
PIN, Door Inside Locking Rod	10.565	PLATE, A.C. Control	9.279
PIN, Engine Cylinder Head	0.293	PLATE, Accelerator Pedal	3.451
PIN, Folding and Hard Top	14.080	PLATE, Air Cleaner Air Intake	3.417
PIN, Folding Top Actuator	14.478	PLATE, Air Distributor	9.262
PIN, Front Door Wedge	10.584	PLATE, Air Distributor	9.786
PIN, Front Door Window Regulator	10.783	PLATE, Automatic Choke Control	3.750
PIN, Fuel Injection Distributor	3.340	PLATE, Brake and Clutch Pedal	4.630
PIN, Fuel Tank Filler	12.945	PLATE, Brake Flange	5.001
PIN, Headlamp Dimmer	2.459	PLATE, Brake Shoe Guide	5.045
PIN, Hood Latch	8.080	PLATE, Bumper	7.836
PIN, Hood Latch Release Cable	8.077	PLATE, Clutch Pedal Pull Back Spring	0.846
PINION KIT, Transmission Output Shaft or Carrier	4.175	PLATE, Differential Clutch	5.511
PIN, King	6.203	PLATE, Distributor Breaker	2.385
PIN KIT, Brake Shoe Hold Down	5.043	PLATE, Dome and Reading Lamp	11.927
PIN KIT, King	6.203	PLATE, Door Lock	10.571
PIN, Master Cylinder Adjusting	4.662	PLATE, Door Lock Inside Handle Escutcheon(Trim Protector)	10.515
PIN, Oil Pump	1.639	PLATE, Door Window Regulator Handle	10.805
PIN, Plenum Air	9.789	PLATE, Door Window Regulator	10.792
PIN, Rear Spring and Axle	7.529	PLATE, Engine Clutch	0.859
PIN, Roof Panel	12.810	PLATE, Engine Clutch Driven	0.886
PIN, Starter Motor Brush	2.052	PLATE, Engine Clutch Pressure	0.863
PIN, Starter Motor Drive Shift	2.108	PLATE, Floor Pan	12.980
PIN, Steering Column	6.514	PLATE, Folding Top Compartment	12.170
PIN, Steering Pump	6.608	PLATE, Folding Top Roof Rail	14.090
PIN, Transmission Converter	4.115	PLATE, Front Body Hinge Pillar	12.840
PIN, Transmission Control Valve	4.265	PLATE, Front Door Sill	11.175
PIN, Transmission Control	4.008	PLATE, Front Fender and Body Ornamentation	8.132
PIN, Transmission Control Lever	4.008	PLATE, Front Fender Name	8.147
PIN, Transmission Gearshift	4.307	PLATE, Front Seat Back	11.373
PIN, Transmission Governor	4.256	PLATE, Fuel Pump Mounting	3.501
PIN, Transmission Oil Pump	4.226	PLATE, Generator Drive End	2.307
PIN, Transmission Oil Pump	4.203	PLATE, Headlamp Dimmer	2.459
PIN, Transmission Pressure Regulator and Oil Pump	4.216	PLATE, Heater	8.845
PIN, Transmission Rear Servo	4.241	PLATE, Heater	8.849
		PLATE, Heater and Defroster	8.857
		PLATE, Hood Latch	8.083





## ALPHABETICAL INDEX

REINFORCEMENT, Frame Front Cross Member ..	7.039	RETAINER, Carburetor and Fuel Injection Choke.	3.752
REINFORCEMENT, Front Fender .....	8.141	RETAINER, Carburetor Pump Outlet Valve .....	3.825
REINFORCEMENT, Front Body Hinge Pillar .....	12.84C	RETAINER, Cigarette Lighter .....	9.709
REINFORCEMENT, Hood Latch .....	8.080	RETAINER, Clutch and Brake Pedal Shaft .....	0.837
REINFORCEMENT, Hydraulic Steering Cylinder ..	6.575	RETAINER, Concealed Headlamp Control Drive ..	2.760
REINFORCEMENT, Instrument Panel .....	10.230	RETAINER, Cowl Ledge .....	12.801
REINFORCEMENT, Radiator .....	1.263	RETAINER, Cruise Control .....	3.885
REINFORCEMENT, Radiator to Grille .....	1.287	RETAINER, Cylinder Poppet .....	4.942
REINFORCEMENT, Radio Antenna .....	9.647	RETAINER, Differential Clutch .....	5.511
REINFORCEMENT, Rear Compartment Floor .....	12.981	RETAINER, Distributor .....	2.372
REINFORCEMENT, Rear Compartment Lid and		RETAINER, Distributor .....	2.364
End Gate .....	12.184	RETAINER, Door Lock Cylinder .....	10.553
REINFORCEMENT, Roof Panel .....	12.810	RETAINER, Door Outside Lock Cylinder .....	10.551
REINFORCEMENT, Seat Belt .....	14.875	RETAINER, Door Window Regulator Handle .....	10.806
REINFORCEMENT, Shroud and Dash and Vent		RETAINER, Engine Piston Pin .....	0.639
Duct .....	12.804	RETAINER, Exhaust Muffler .....	3.704
REINFORCEMENT, Steering Column .....	6.521	RETAINER, Exhaust Pipe .....	3.616
REINFORCEMENT, Tail Lamp Mounting .....	2.662	RETAINER, Fender Wheelhouse .....	8.155
REINFORCEMENT, Windshield Wiper		RETAINER, Floor Pan .....	12.980
Transmission .....	10.160	RETAINER, Front Door Trim Binding Strip .....	14.683
REINFORCEMENT, Windshield Wiper Access ....	10.130	RETAINER, Front Fender Molding .....	8.133
REINFORCEMENT, Windshield Wiper Motor .....	10.152	RETAINER, Front Fender Name .....	8.147
RELAY, A.C. Electrical .....	9.277	RETAINER, Front Fender .....	8.141
RELAY, Automatic Choke Control .....	3.750	RETAINER, Front Seat Bottom Hinge .....	11.375
RELAY, Body Harness .....	13.095	RETAINER, Front Wheel Hub Grease .....	6.330
RELAY, Carburetor Air Cleaner Controls .....	3.415	RETAINER, Fuel Pipe .....	3.162
RELAY, Carburetor Idle .....	3.440	RETAINER, Fuel Tank Evaporator Control(Engine	
RELAY, Concealed Headlamp Motor .....	2.755	End) .....	3.130
RELAY, Emission Control System .....	3.670	RETAINER, Headlamp Control .....	2.775
RELAY, Engine and Transmission Controlled		RETAINER, Hood Latch .....	8.085
Spark .....	2.408	RETAINER, Hood Latch Release Cable .....	8.077
RELAY, Engine Fuel Pump .....	3.900	RETAINER, Hood Panel .....	8.021
RELAY, Horn .....	2.815	RETAINER, Horn Button Blowing .....	2.819
RELAY, Ignition Switch Warning, Lock or		RETAINER, Horn Button .....	2.820
Headlamp .....	2.195	RETAINER, Ignition Switch Warning, Lock or	
RELAY, Radio Antenna .....	9.647	Headlamp .....	2.195
RELAY, Rear Window Defogger .....	9.778	RETAINER, Instrument Panel .....	10.230
RELAY, Transmission Control Spark .....	4.075	RETAINER, Instrument Panel Trim .....	10.252
RELAY, Transmission Smog Control .....	4.075	RETAINER, Instrument Panel Compartment Door	
RELAY, Windshield Wiper Motor .....	10.150	Lock .....	10.267
REPAIR KIT , carburetor (rochester)MAJOR .....	3.725A	RETAINER, Instrument Panel Ash Tray .....	12.009
REPAIR KIT , Brake Master Cylinder .....	4.649	RETAINER, Instrument Cluster Lens .....	9.747
REPAIR KIT , Carburetor (Rochester) Minor .....	3.725B	RETAINER, Instrument Cluster .....	9.743
REPAIR KIT, Carburetor (Holly) Minor .....	3.725G	RETAINER, Luggage Carrier .....	12.815
REPAIR KIT, Carburetor (holly) major .....	3.725F	RETAINER, Master Cylinder Adjusting .....	4.662
REPAIR KIT, Catalytic Converter .....	3.685	RETAINER, Oil Pressure Regulator .....	1.609
REPAIR KIT, Chassis Electrical .....	2.530	RETAINER, Oil Pump .....	1.639
REPAIR KIT, Power Brake Booster(Vacuum) .....	4.898	RETAINER, Outside Air .....	9.787
REPAIR KIT, Propeller Shaft Universal Joint .....	5.548	RETAINER, Parking Brake Lever .....	5.158
REPAIR KIT, Rear Axle Universal Joint .....	5.425	RETAINER, Parking Brake Lever Housing .....	4.612
REPAIR KIT, Refrigerant Flow Sight .....	9.202	RETAINER, Parking Brake Cable .....	4.765
REPAIR KIT, Steering Gear Hydraulic Valve .....	6.551	RETAINER, Parking Brake Cable .....	4.785
REPAIR KIT, Wheel Brake .....	4.665	RETAINER, Power Brake Booster .....	4.910
REPAIR KIT, Wheel Brake .....	4.667	RETAINER, Power Brake Booster(Vacuum) .....	4.922
RESERVOIR, Engine Coolant Recovery .....	1.240	RETAINER, Power Brake Booster(Hydraulic) .....	4.810
RESERVOIR KIT, Steering Pump .....	6.635	RETAINER, Power Brake Booster .....	4.913
RESERVOIR, Steering Pump .....	6.635	RETAINER, Propeller Shaft Universal Joint	
RESERVOIR, Windshield Washer .....	10.154	Trunnion .....	5.560
RESISTOR, A.C. Electric Control .....	9.275	RETAINER, Radiator .....	1.270
RESISTOR, Distributor .....	2.383	RETAINER, Radio Mounting .....	9.887
RESISTOR, Generator .....	2.319	RETAINER, Rear Axle Control Arm .....	5.381
RESISTOR, Heater Blower Motor .....	8.855	RETAINER, Rear Axle U Joint .....	5.428
RESISTOR, Ignition Coil .....	2.173	RETAINER, Rear Compartment Floor .....	12.981
RESTRICTOR, Fuel Line .....	3.163	RETAINER, Rear Compartment Lid or Tailgate	
RETAINER, auto Jack .....	8.820	Decoration .....	12.183
RETAINER, A.C. Compressor Shaft .....	9.175	RETAINER, Rear Compartment .....	12.249
RETAINER, A.C. Compressor (Internal		RETAINER, Rear Hatch Window .....	12.180
Parts)(Axial) .....	9.172	RETAINER, Rear Hatch Window .....	12.187
RETAINER, Accelerator Pedal Lever .....	3.454	RETAINER, Rear Quarter .....	15.100
RETAINER, Air Duct .....	9.782	RETAINER, Rear Spring .....	7.545
RETAINER, Air Outlet .....	9.264	RETAINER, Rear Spring and Axle .....	7.529
RETAINER, Automatic Choke Control .....	3.750	RETAINER, Rear View Mirror .....	10.186
RETAINER, Battery Hold Down .....	2.335	RETAINER, Rocker Panel Molding .....	8.309
RETAINER, Brake Pedal .....	4.634	RETAINER, Roof Panel .....	12.810
RETAINER, Bumper .....	7.832	RETAINER, Seat Belt .....	14.875
RETAINER, Bumper to Body .....	7.833	RETAINER, Shock Absorber .....	7.389
RETAINER, Bumper Energy Absorber .....	7.840	RETAINER, Spark Plug Wire .....	2.251
RETAINER, Bumper Face .....	7.831	RETAINER, Speedometer Driven Gear .....	4.338
RETAINER, Bumper Mounting .....	7.865	RETAINER, Stabilizer Link .....	7.245
RETAINER, Bumper Mounting .....	7.874	RETAINER, Stabilizer Shaft .....	7.242
RETAINER, Carburetor Air Cleaner .....	3.410	RETAINER, Steering Column .....	6.514
RETAINER, Carburetor Air Cleaner Controls .....	3.415	RETAINER, Steering Column Housing .....	6.500
RETAINER, Carburetor Throttle Control .....	3.425	RETAINER, Steering Column .....	6.521
RETAINER, Carburetor Pump .....	3.841	RETAINER, Steering Gear Shaft .....	6.525

## ALPHABETICAL INDEX

RETAINER, Steering Gear Hydraulic Valve .....	6.552	RING, Transmission Governor .....	4.256
RETAINER, Steering Knuckle Lower Control Arm .....	6.170	RING, Transmission Housing .....	4.162
RETAINER, Steering Knuckle Upper Control Arm .....	6.163	RING, Transmission Input and Turbine Shaft .....	4.123
RETAINER, Steering Wheel .....	6.515	RING, Transmission Low Servo .....	4.228
RETAINER, Tail Lamp .....	2.660	RING, Transmission Mainshaft .....	4.172
RETAINER, Transmission Clutch .....	4.164	RING, Transmission Main Drive Gear Bearing .....	
RETAINER, Transmission Parking Brake .....	4.290	Retainer .....	4.376
RETAINER, Transmission .....	4.115	RING, Transmission Oil Pump .....	4.226
RETAINER, Transmission Oil Pump .....	4.226	RING, Transmission Oil Pump .....	4.224
RETAINER, Transmission Vacuum .....	4.205	RING, Transmission Output Shaft or Carrier .....	4.176
RETAINER, Transmission Clutch .....	4.167	RING, Transmission Output Shaft or Carrier .....	4.175
RETAINER, Transmission Throttle Valve .....	4.275	RING, Transmission Pressure Regulator and Oil .....	
RETAINER, Transmission Governor .....	4.256	Pump .....	4.216
RETAINER, Transmission Rear Main .....	4.317	RING, Transmission Reverse Servo .....	4.241
RETAINER, Transmission Input and Turbine .....		RING, Transmission Rear Internal Gear .....	4.187
Shaft .....	4.123	RING, Transmission Rear Servo .....	4.242
RETAINER, Transmission Main Drive Gear .....		RING, Transmission Rear Bearing and Mainshaft .....	4.412
Bearing .....	4.356	RING, Transmission Reverse Idler Gear .....	4.435
RETAINER, Transmission Control Lock Cable .....	4.070	RING, Transmission Servo & Accumulator .....	4.229
RETAINER, Transmission Control Lock Cable .....	4.070	RING, Transmission Servo & Accumulator .....	4.228
RETAINER, Transmission Synchronizing .....	4.383	RING, Transmission Shift Control Shaft .....	4.027
RETAINER, Transmission Control Indicator .....	4.022	RING, Transmission Shift Control Lever .....	4.027
RETAINER, Transmission Control Lock Cable .....	4.070	RING, Transmission Synchronizer .....	4.384
RETAINER, Transmission Control Lever .....	4.015	RING, Transmission Synchronizing .....	4.384
RETAINER, Transmission Shift Control Shaft .....	4.027	RING, Transmission Synchronizer .....	4.383
RETAINER, Transmission Main Drive Gear .....		RING, Transmission Synchronizing .....	4.383
Bearing .....	4.356	RING, Universal Joint Bearing and Flange .....	5.586
RETAINER, Transmission Control Indicator .....	4.020	RING, Wheel Cover Appearance .....	5.871
RETAINER, Transmission Gearshift Shaft .....	4.027	RING, Wheel Cylinder .....	4.666
RETAINER, Transmission Converter .....	4.115	RING, Windshield Washer Pump .....	10.153
RETAINER, Transmission Control Switch .....	4.060	RING, Windshield Wiper Motor Drive .....	10.151
RETAINER, Transmission Control Rod To Lever .....	4.037	RIVET, Bumper Energy Absorber .....	7.840
RETAINER, Transmission Clutch(Low & Reverse) .....	4.180	RIVET, Door Ventilator .....	10.669
RETAINER, Transmission Servo & Accumulator .....	4.233	RIVET, Rear Compartment Floor .....	12.981
RETAINER, Transmission Clutch .....	4.169	RIVET, Transmission Pressure Regulator and Oil .....	
RETAINER, Transmission Output Shaft or Carrier .....	4.176	Pump .....	4.216
RETAINER, Transmission Low Servo .....	4.228	RIVET, Windshield Wiper Access .....	10.130
RETAINER, Transmission Control Lock Cable .....	4.070	ROD, Accelerator Pedal .....	3.431
RETAINER, Transmission Servo & Accumulator .....	4.228	ROD, Back Up Lamp .....	2.698
RETAINER, Transmission Rear Servo .....	4.246	ROD, Brake Pedal Push .....	4.658
RETAINER, Universal Joint Bearing and Flange .....	5.586	ROD, Bumper .....	7.836
RETAINER, Vacuum Power Brake Cylinder Relay .....		ROD, Bumper Mounting .....	7.865
Valve .....	4.935	ROD, Carburetor .....	3.755
RETAINER, Wheel Cover Appearance .....	5.871	ROD, Carburetor and Fuel Injection Choke .....	3.752
RETAINER, Windshield Reveal Molding .....	10.093	ROD, Carburetor Air Cleaner Controls .....	3.415
RETAINER, Windshield Reveal .....	10.096	ROD, Carburetor Metering .....	3.806
RETAINER, Windshield Wiper Transmission .....	10.160	ROD, Carburetor Pump Connector .....	3.843
RING, A.C. Compressor Shaft .....	9.175	ROD, Carburetor Throttle .....	3.762
RING, A.C. Compressor (Internal Parts)(Axial) .....	9.172	ROD, Clutch Fork Release .....	0.787
RING, A.C. Compressor Pulley .....	9.181	ROD, Concealed Headlamp Control Opening .....	
RING, A.C. Compressor (Internal parts)(Radial) .....	9.172A	Cover .....	2.765
RING, A.C. Refrigerant .....	9.195	ROD, Cruise Control .....	3.885
RING, Carburetor and Fuel Meter Fuel Inlet .....	3.740	ROD, Door Inside Locking Rod .....	10.559
RING, Differential Bearing Adjusting .....	5.537	ROD, Door Inside Locking .....	10.563
RING, Door Outside Handle .....	10.529	ROD, Engine Clutch Pedal Control .....	0.854
RING, Exhaust Pipe .....	3.611	ROD, Engine Piston .....	0.602
RING, Front Seat Back .....	11.373	ROD, Engine Valve Push .....	0.421
RING GEAR, Transmission Output Shaft or .....		ROD, Folding Top .....	14.340
Carrier .....	4.175	ROD, Fuel Pump .....	3.935
RING, Headlamp .....	2.726	ROD, Headlamp Dimmer .....	2.459
RING, Headlamp Retaining .....	2.731	ROD, Headlamp Switch .....	2.486
RING, Horn Button Blowing .....	2.819	ROD, Ignition Switch Warning, Lock or .....	
RING, Hydraulic Steering Cylinder Piston Rod .....	6.581	Headlamp .....	2.195
RING, King Pin Oil .....	6.225	ROD KIT, Radio Antenna .....	9.647
RING KIT, Engine Piston .....	6.610	ROD, Outside Air .....	9.787
RING KIT, Steering Pump .....	6.610	ROD, Power Brake Booster(Vacuum) .....	4.924
RING KIT, Transmission Overhaul .....	4.005	ROD, Radiator to Grille .....	1.287
RING KIT, Transmission Rear Bearing and .....		ROD, Radiator Support Mounting .....	1.274
Mainshaft .....	4.412	ROD, Radio Antenna .....	9.647
RING, Rear Axle Shaft Bearing .....	5.816	ROD, Rear Axle Tie .....	5.415
RING, Rear Axle U Joint .....	5.428	ROD, Rear Hatch Window .....	12.187
RING, Rear Compartment Floor .....	12.981	ROD, Roof Panel .....	12.810
RING, Speedometer Driven Gear .....	4.338	ROD, Steering Column .....	6.514
RING, Starter Motor Thrust .....	2.063	ROD, Steering Column Housing .....	6.500
RING, Steering Pump .....	6.609	ROD, Steering Relay .....	6.870
RING, Steering Pump Drive Shaft Outer Bearing .....		ROD, Throttle Control .....	3.430
Retainer .....	6.616	ROD, Tie Rod .....	6.233
RING, Transmission Clutch .....	4.164	ROD, Transmission Control .....	4.035
RING, Transmission Clutch .....	4.168	ROD, Transmission Control Lever .....	4.006
RING, Transmission Clutch .....	4.167	ROD, Transmission Control .....	4.035
RING, Transmission Clutch .....	4.163	ROD, Transmission Gearshift Control (Hand) .....	4.006
RING, Transmission Clutch .....	4.169	ROD, Transmission Safety Starting Switch .....	4.054
RING, Transmission Clutch(Low & Reverse) .....	4.180	ROD, Transmission Servo & Accumulator .....	4.228
RING, Transmission Gearshift Shaft .....	4.027	ROD, Transmission Throttle Valve .....	4.050

## ALPHABETICAL INDEX

ROD, Windshield Wiper Control .....	10.163	SCREW, Flywheel .....	0.679
ROD, Windshield Wiper Blade .....	10.147	SCREW, Folding and Hard Top .....	14.080
ROLLER, Air Distributor .....	9.786	SCREW, Folding Top .....	14.340
ROLLER, Door Window .....	10.728	SCREW, Front Body Hinge Pillar .....	12.840
ROLLER, Front Door Window Regulator .....	10.783	SCREW, Front Fender .....	8.143
ROLLER KIT, Transmission Clutch(Low & Reverse) .....	4.180	SCREW, Front Fender Name .....	8.147
ROLLER, Transmission Planet Carrier .....	4.176	SCREW, Front Seat Bottom Hinge .....	11.375
ROLLER, Transmission Manual Detent .....	4.293	SCREW, Fuel or Air Meter .....	3.314
ROLLER, Transmission Mainshaft .....	4.352	SCREW, Fuel Gage to Tank .....	3.112
ROLLER, Transmission Clutch .....	4.167	SCREW, Fuel Meter .....	3.322
ROLLER, Transmission Countershaft Gear .....	4.422	SCREW, Fuel Pump Mounting .....	3.901
ROLLER, Transmission Mainshaft Front Pilot to Main Drive Gear .....	4.352	SCREW, Fuel Tank Evaporator Control(Engine End) .....	3.130
ROTATOR, Engine Valve Spring .....	0.309	SCREW, Fuel Tank Filler .....	3.028
ROTOR, A.C. Compressor (Internal parts)(Radial) .....	9.172A	SCREW, Fuel Tank Filler .....	3.003
ROTOR, Distributor .....	2.382	SCREW, Generator .....	2.319
ROTOR, Generator .....	2.279	SCREW, Generator Brush .....	2.291
RUN, Front Door Window Glass .....	10.701	SCREW, Generator Drive End .....	2.307
		SCREW, Generator Mounting .....	2.277
		SCREW, Hardtop .....	13.346
		SCREW, Headlamp Control .....	2.775
		SCREW, Headlamp Mounting .....	2.729
		SCREW, Headlamp Retaining Ring .....	2.736
		SCREW, Hood Latch .....	8.080
		SCREW, Horn Button Blowing .....	2.819
		SCREW, Ignition Coil Mounting .....	2.183
		SCREW, Ignition Switch .....	2.188
		SCREW, Ignition Switch Warning, Lock or Headlamp .....	2.195
		SCREW, Instrument Cluster .....	9.743
		SCREW, Instrument Panel Trim .....	10.252
		SCREW, Instrument Panel Compartment Door .....	10.262
		SCREW, License Plate .....	7.800
		SCREW, Luggage Carrier .....	12.815
		SCREW, Oil Pan .....	1.428
		SCREW, Oil Pan Drain .....	1.453
		SCREW, Pinion Shaft Lock .....	5.518
		SCREW, Radiator .....	1.270
		SCREW, Radiator Baffle and Shroud .....	1.276
		SCREW, Radio Static Suppression .....	9.663
		SCREW, Rear Axle or Final Drive Filler and Drain .....	5.400
		SCREW, Rear Axle Housing .....	5.398
		SCREW, Rear Compartment Lid Lock .....	12.237
		SCREW, Rear End Belt or Panel .....	12.121
		SCREW, Rear License Lamp .....	2.708
		SCREW, Rear View Mirror .....	10.186
		SCREW, Rocker Panel Molding .....	8.309
		SCREW, Roof .....	12.952
		SCREW, Roof Drip .....	12.075
		SCREW, Roof Panel .....	12.810
		SCREW, Roof Trim Headlining .....	14.640
		SCREW, Seat Back Locking .....	11.390
		SCREW, Stabilizer Shaft .....	7.242
		SCREW, Starter Motor .....	2.042
		SCREW, Starter Motor Shoe .....	2.077
		SCREW, Steering Column .....	6.514
		SCREW, Steering Column Housing .....	6.500
		SCREW, Steering Column Attaching .....	6.760
		SCREW, Steering Column .....	6.518
		SCREW, Steering Gear Ball Return Guide .....	6.843
		SCREW, Steering Gear Shaft .....	6.525
		SCREW, Suction Throttling (P.O.A.) .....	9.198
		SCREW, Transmission Control .....	4.012
		SCREW, Transmission Control Lever .....	4.012
		SCREW, Transmission Front Servo .....	4.226
		SCREW, Transmission Oil Pan .....	4.196
		SCREW, Transmission Oil .....	4.195
		SCREW, Transmission Oil Pump .....	4.203
		SCREW, Transmission Oil Pump .....	4.225
		SCREW, Turn Signal Lamp .....	2.895
		SCREW, Turn Signal Switch .....	2.906
		SCREW, Voltage .....	2.500
		SCREW, Wheel Cover Appearance .....	5.871
		SCREW, Wheel Cylinder .....	4.668
		SCREW, Windshield Upper and Lower .....	12.807
		SCREW, Windshield Washer Pump .....	10.153
		SCREW, Windshield Wiper Motor .....	10.150
		SEAL & CLAM KIT, Steering Gear Hydraulic Valve .....	6.551
		SEAL, A.C. Compressor Shaft .....	9.175
		SEAL, A.C. Compressor (Internal parts)(Radial) .....	9.172A
		SEAL, A.C. Compressor .....	9.226
		SEAL, A.C. Evaporator Expansion Valve .....	9.214

### S

SASH, Door Ventilator Glass (With Tee Shaft) .....	10.655
SASH, Front Door Window .....	10.685
SCREEN, A.C. Compressor (Internal Parts)(Axial) .....	9.172
SCREEN, A.C. Refrigerant .....	9.195
SCREEN, Carburetor and Fuel Meter Fuel Inlet .....	3.740
SCREEN, Carburetor Air Cleaner .....	3.410
SCREEN, Instrument Panel Opening .....	10.256
SCREEN KIT, Transmission Oil Pan .....	4.197
SCREEN, Oil Pump .....	1.656
SCREEN, Rear Quarter Side Inner .....	12.941
SCREEN, Transmission Throttle Valve .....	4.265
SCREEN, Transmission Oil .....	4.248
SCREEN, Transmission Oil Pump .....	4.224
SCREEN, Transmission Oil Pump Suction .....	4.197
SCREW, A.C. Compressor .....	9.177
SCREW, A.C. Compressor Drive .....	9.180
SCREW, A.C. Compressor (Internal Parts)(Axial) .....	9.172
SCREW, A.C. Condenser .....	9.190
SCREW, A.C. Evaporator Expansion Valve .....	9.214
SCREW, A.C. Refrigerant .....	9.195
SCREW, Air Distributor .....	9.262
SCREW, Automatic Choke Control .....	3.750
SCREW, Back Up Lamp .....	2.698
SCREW, Back Window Reveal Molding .....	11.209
SCREW, Battery Cable .....	2.343
SCREW, Battery Hold Down .....	2.334
SCREW, Brake Cylinder and Pedal Shaft .....	4.648
SCREW, Brake Main Cylinder .....	4.656
SCREW, Brake Shoe Adjusting .....	5.110
SCREW, Carburetor .....	3.755
SCREW, Carburetor (with Leather and Shaft) .....	3.838
SCREW, Carburetor and Fuel Injection Fast Idle Cam .....	3.767
SCREW, Carburetor and Fuel Injection Choke .....	3.752
SCREW, Carburetor and Fuel Injection Fast Idle .....	3.766
SCREW, Carburetor and Fuel Injection Idle Adjusting .....	3.822
SCREW, Carburetor and Fuel Meter Intake (with Seat and Gasket) .....	3.814
SCREW, Carburetor and Fuel Meter Fuel Inlet .....	3.740
SCREW, Carburetor Air .....	3.730
SCREW, Carburetor Body .....	3.741
SCREW, Carburetor Choke .....	3.751
SCREW, Carburetor Pump .....	3.841
SCREW, Carburetor Throttle Valve and Throttle Lever Adjusting .....	3.761
SCREW, Concealed Headlamp Control Drive .....	2.760
SCREW, Concealed Headlamp Control Opening Cover .....	2.765
SCREW, Differential Carrier .....	5.506
SCREW, Distributor .....	2.393
SCREW, Distributor .....	2.383
SCREW, Distributor .....	2.372
SCREW, Distributor Cap Retaining .....	2.368
SCREW, Door Handle Push Button .....	12.195
SCREW, Door Lock .....	10.474
SCREW, Door Window Regulator .....	10.792
SCREW, Emission Control System .....	3.671
SCREW, Engine Valve Adjusting .....	0.429

## ALPHABETICAL INDEX

SEAL, A.C. Evaporator .....	9.211	SEAL, Steering Gear Pitman Shaft .....	6.855
SEAL, Accelerator Cable .....	3.469	SEAL, Steering Gear Repair .....	6.507
SEAL, Air Cleaner to Carburetor Mounting .....	3.406	SEAL, Steering Gear Shaft .....	6.525
SEAL, Air Cleaner Air Intake .....	3.417	SEAL, Steering Idler .....	6.898
SEAL, Air Distributor .....	9.786	SEAL, Steering Knuckle Upper and Lower	
SEAL, Air Distributor .....	9.262	Control Arm .....	6.166
SEAL, Air Outlet .....	9.260	SEAL, Steering Pump .....	6.635
SEALANT, Engine Coolant Outlet .....	1.154	SEAL, Steering Pump .....	6.609
SEALANT, Engine Valve Rocker Arm Cover .....	0.423	SEAL, Steering Pump Drive Shaft .....	6.617
SEALANT, Manifold to Cylinder Head .....	3.270	SEAL, Steering Tie Rod .....	6.242
SEAL, Brake Cylinder and Pedal Shaft .....	4.648	SEAL, Suction Throttling (P.O.A.) .....	9.198
SEAL, Bumper to Body .....	7.833	SEAL, Transmission .....	4.115
SEALBEAM, Headlamp .....	2.727	SEAL, Transmission Case .....	4.103
SEAL, Carburetor and Fuel Injection Choke .....	3.752	SEAL, Transmission Converter .....	4.115
SEAL, Differential Drive Pinion .....	5.469	SEAL, Transmission Control Lever .....	4.015
SEAL, Distributor and Fuel Injector .....	2.363	SEAL, Transmission Control Lever Trim .....	4.017
SEAL, Distributor Drive Shaft .....	2.375	SEAL, Transmission Control Lever .....	4.015
SEAL, Door Outside Handle .....	10.520	SEAL, Transmission Detent Control .....	4.050
SEAL, Door Window Regulator .....	10.792	SEAL, Transmission Extension .....	4.318
SEAL, Engine Clutch Lever & Shaft .....	0.851	SEAL, Transmission Front Servo .....	4.226
SEAL, Engine Clutch Pedal .....	0.829	SEAL, Transmission Gearshift Shaft .....	4.027
SEAL, Engine Crankshaft Front .....	0.213	SEAL, Transmission Gearshift .....	4.107
SEAL, Engine Rear Main Bearing .....	0.137	SEAL, Transmission Governor .....	4.256
SEAL, Engine Valve .....	0.308	SEAL, Transmission Hand Lever (Floor Mounted)	4.015
SEAL, Folding Top Motor and Pump .....	14.482	SEAL, Transmission Internal Selector Shaft .....	4.313
SEAL, Front Door .....	10.470	SEAL, Transmission Internal Shift .....	4.302
SEAL, Front Door Wedge .....	10.584	SEAL, Transmission Input and Turbine Shaft .....	4.123
SEAL, Front Door Window Glass Channel (Outer		SEAL, Transmission Main Drive Gear Bearing .....	4.354
& Inner) .....	10.710	SEAL, Transmission Manual Shaft .....	4.282
SEAL, Front Fender .....	8.154	SEAL, Transmission Oil Pan .....	4.197
SEAL, Front Wheel Hub Bearing .....	6.326	SEAL, Transmission Oil Pump .....	4.226
SEAL, Fuel Meter .....	3.322	SEAL, Transmission Oil Filler .....	4.133
SEAL, Fuel Tank Filler Neck .....	3.008	SEAL, Transmission Oil Pump .....	4.203
SEAL, Generator Slip Ring End Frame .....	2.298	SEAL, Transmission Oil Filler .....	4.133
SEAL, Headlamp Control .....	2.775	SEAL, Transmission Output Shaft or Carrier .....	4.176
SEAL, Heater .....	8.845	SEAL, Transmission Park Lock .....	4.220
SEAL, Heater Core .....	8.854	SEAL, Transmission Rear Servo .....	4.242
SEAL, Hood Panel Ornamentation .....	8.055	SEAL, Transmission Rear Bearing Retainer .....	4.318
SEAL, Hydraulic Steering Cylinder Piston Rod .....	6.581	SEAL, Transmission Rear Main Bearing .....	4.318
SEAL, Ignition Coil Mounting .....	2.183	SEAL, Transmission Servo & Accumulator .....	4.229
SEAL, Instrument Cluster .....	9.749	SEAL, Transmission Servo .....	4.212
SEAL, Instrument Panel .....	10.230	SEAL, Transmission Servo & Accumulator .....	4.228
SEAL KIT, A.C. Compressor .....	9.170	SEAL, Transmission Shift Control Shaft .....	4.027
SEAL KIT, A.C. Compressor Shaft .....	9.175	SEAL, Transmission Solenoid .....	4.122
SEAL KIT, Engine Rear Main Bearing .....	0.137	SEAL, Transmission Throttle Valve .....	4.278
SEAL KIT, Engine Valve .....	0.308	SEAL, Transmission Throttle Valve .....	4.275
SEAL KIT, Rear Axle Shaft Bearing or Hub .....	5.822	SEAL, Transmission Vacuum .....	4.205
SEAL KIT, Steering Pump .....	6.609	SEAL, Wheel Brake .....	4.667
SEAL KIT, Transmission Clutch .....	4.166	SEAL, Wiring and Pipes .....	9.775
SEAL KIT, Transmission Servo & Accumulator .....	4.229	SEAL, A.C. Compressor (Internal Parts)(Axial) .....	9.172
SEAL KIT, Transmission Oil Pump .....	4.226	SEAL, Engine Clutch Lever & Shaft .....	0.851
SEAL KIT, Transmission Oil Pump .....	4.203	SEAL, Folding Top Compartment Lid .....	12.242
SEAL KIT, Transmission Clutch .....	4.166	SEAL, Hood Latch .....	8.085
SEAL, Lamp Monitor .....	2.584	SEAL, Hydraulic Steering Adapter .....	6.560
SEAL, Oil Pan .....	1.429	SEAL, Hydraulic Steering Cylinder Piston Rod .....	6.581
SEAL, Parking Brake Cable .....	4.784	SEAL, Intake Manifold Vacuum .....	3.278
SEAL, Parking Brake Lever Housing .....	4.612	SEAL, Rear Compartment Lid Lock .....	12.237
SEAL, Power Brake Booster .....	4.910	SEAL, Steering Column .....	6.521
SEAL, Power Brake Booster(Vacuum) .....	4.918	SEAL, Steering Connecting Rod .....	6.874
SEAL, Power Brake Booster .....	4.845	SEAL, Steering Gear Oil Pressure Hose .....	6.673
SEAL, Power Brake Booster(Vacuum) .....	4.924	SEAL, Transmission Clutch .....	4.164
SEAL, Propeller Shaft Universal Joint Trunnion .....	5.560	SEAL, Transmission Pressure Regulator and Oil	
SEAL, Radiator Support Mounting .....	1.274	Pump .....	4.216
SEAL, Rear Axle Shaft Bearing or Hub .....	5.822	SEAL, Transmission Servo & Accumulator .....	4.233
SEAL, Rear Axle U Joint .....	5.430	SECTOR, Ignition Switch Warning, Lock or	
SEAL, Rear Compartment Floor .....	12.981	Headlamp .....	2.195
SEAL, Rear Compartment .....	12.269	SECTOR KIT, Ignition Switch Warning, Lock or	
SEAL, Rear Compartment Lid and Rear End		Headlamp .....	2.195
Panel .....	12.182	SENDER, Coolant Temperature (Engine Unit) .....	1.150
SEAL, Rear Window Defogger .....	9.778	SENDER, Oil Pressure or Temperature .....	1.800
SEAL, Roof Panel .....	12.810	SENSOR, Carburetor Air Cleaner Controls .....	3.415
SEAL RING, A.C. Evaporator Expansion Valve .....	9.214	SENSOR, Coolant Temperature (Engine Unit) .....	1.150
SEAL RING, A.C. Refrigerant (All Metal) .....	9.220	SENSOR, Emission Control Sensors .....	3.682
SEAL RING, A.C. Refrigerant .....	9.196	SENSOR, Oil Pressure or Temperature .....	1.800
SEAL RING KIT, A.C. Refrigerant .....	9.196	SENSOR, Speedometer to Instrument	
SEAL RING, Refrigerant Flow Sight .....	9.202	Panel(Domestic) .....	9.761
SEAL, Shroud and Dash and Vent Duct .....	12.804	SEPARATOR, Evaporation Emission System(Fuel	
SEAL, Speedometer Driven Gear .....	4.338	Tank End) .....	3.120
SEAL, Steering Column .....	6.758	SERVO, Cruise Control .....	3.885
SEAL, Steering Column .....	6.519	SHACKLE KIT, Rear Spring .....	7.523
SEAL, Steering Connecting Rod .....	6.886	SHAFT, A.C. Compressor .....	9.170
SEAL, Steering Gear Hydraulic Valve .....	6.552	SHAFT, Air Distributor .....	9.736
SEAL, Steering Gear Oil Hose .....	6.674	SHAFT, Brake Pedal .....	4.634
SEAL, Steering Gear Oil Pressure Hose .....	6.673	SHAFT, Carburetor and Fuel Injection Choke .....	3.752

MICROFICHE INDEX  
GROUPS 6.000 THRU 8.000  
FICHE 4 OF 6

GROUP DESCRIPTION	STARTING GRID LOCATION	
	PARTS	ILLUSTRATIONS
- INTRODUCTION .....	A-6	H-2
- GENERAL INFORMATION .....	A-2	H-2
- ALPHABETICAL INDEX .....	C-11	N.A.
- INDEX FOR ADDITIONAL INFORMATION .....	A-5	N.A.
6.000 FRONT SUSPENSION - STEERING .....	E-2	H-6
7.000 FRAME - SPRINGS - SHOCKS - BUMPERS .....	F-2	J-2
8.000 FRONT END SHEET METAL - HEATER .....	G-5	L-2
- OUT OF FICHE CALLS .....	N.A.	M-11

**D-1**

## ALPHABETICAL INDEX

SHAFT, Differential Side Pinion .....	5.517	SHIM, Bumper Mounting .....	7.865
SHAFT, Distributor .....	2.372	SHIM, Differential Clutch .....	5.511
SHAFT, Front Door Window Regulator .....	10.783	SHIM, Distributor Shaft Thrust and Gear .....	2.379
SHAFT, Fuel Injection Distributor .....	3.340	SHIM, Door Hinge .....	10.450
SHAFT, Ignition Switch Warning, Lock or Headlamp .....	2.195	SHIM, Engine Mounting .....	0.002
SHAFT KIT, Oil Pump .....	1.639	SHIM, Engine Valve .....	0.303
SHAFT KIT, Transmission Parking Brake .....	4.294	SHIM, Folding Top .....	14.340
SHAFT KIT, Transmission Input and Turbine Shaft .....	4.123	SHIM, Hood Hinge .....	8.016
SHAFT, Oil Pump .....	1.639	SHIM, King Pin Thrust Bearing .....	6.214
SHAFT, Power Brake Booster(Vacuum) .....	4.924	SHIM KIT, Differential Rear Pinion Bearing .....	5.460
SHAFT, Propeller .....	5.544	SHIM KIT, Differential Bearing Adjusting .....	5.537
SHAFT, R. R. Axle .....	5.420	SHIM KIT, Engine Main Bearing Cap .....	0.153
SHAFT, Rear Axle Control Arm .....	5.381	SHIM KIT, Steering Gear Lash Adjuster .....	6.828
SHAFT, Rear Axle Universal Joint .....	5.425	SHIM, Radiator .....	1.270
SHAFT, Rear Compartment Lid Lock Cylinder .....	12.252	SHIM, Rear Axle Control Arm .....	5.380
SHAFT, Speedometer to Instrument Panel(Domestic) .....	9.761	SHIM, Rear Compartment Lid and End Gate .....	12.184
SHAFT, Stabilizer .....	7.241	SHIM, Rear View Mirror .....	10.186
SHAFT, Starter Motor Drive Shift .....	2.108	SHIM, Rear Wheel .....	5.855
SHAFT, Steering Column .....	6.524	SHIM, Roof Panel .....	12.810
SHAFT, Steering Knuckle Lower Control Arm .....	6.169	SHIM, Seat Back .....	11.381
SHAFT, Steering Pump .....	6.614	SHIM, Seat Back Locking .....	11.390
SHAFT, Tachometer .....	9.750	SHIM, Starter Motor .....	2.042
SHAFT, Transmission Countergear .....	4.428	SHIM, Steering Knuckle Upper Control Arm .....	6.178
SHAFT, Transmission Gearshift .....	4.309	SHIM, Warning .....	2.810
SHAFT, Transmission Gearshift Control Shifter .....	4.025	SHIM, Windshield Wiper Access .....	10.130
SHAFT, Transmission Internal Shift .....	4.302	SHOE KIT, Brake .....	5.017
SHAFT, Transmission Input and Turbine Shaft .....	4.123	SHOE, Steering Column .....	6.514
SHAFT, Transmission Mainshaft .....	4.172	SHROUD, Radiator Fan .....	1.277
SHAFT, Transmission Main Drive .....	4.403	SHROUD, Steering Column .....	6.518
SHAFT, Transmission Output Shaft or Carrier .....	4.175	SHROUD, Transmission Control Lever .....	4.010
SHAFT, Transmission Parking Brake .....	4.294	SIGHT GLASS KIT, Refrigerant Flow Sight .....	9.202
SHAFT, Transmission Reverse Idler .....	4.433	SILENCER, Power Brake Booster .....	4.913
SHAFT, Transmission Reverse Idler .....	4.433	SILL, Door Opening Rocker .....	12.934
SHAFT, Transmission Shift Control .....	4.025	SKI ADAPTER PKG, Roof & Deck Lid(Group 12.810) .....	21.060
SHAFT, Transmission Sun Gear and Shaft .....	4.161	SKIRT, Front Fender .....	8.153
SHAFT, Transmission Shifter Shaft .....	4.309	SLEEVE, A.C. Compressor (Internal Parts)(Axial) .....	9.172
SHAFT, Transmission Throttle Valve .....	4.275	SLEEVE, Air Injection Reactor Pump .....	3.655
SHAFT, Upper Control Arm Shaft .....	6.164	SLEEVE, Carburetor Throttle Control .....	3.425
SHAFT, Valve Rocker Arm .....	0.353	SLEEVE, Clock .....	9.772
SHAFT, Windshield Wiper Motor Drive .....	10.151	SLEEVE, Concealed Headlamp Control Opening Cover .....	2.765
SHELF, Instrument Panel .....	14.655	SLEEVE, Distributor Breaker .....	2.385
SHELL, A.C. Compressor .....	9.170	SLEEVE, Emission Control System .....	3.671
SHELL, A.C. Refrigerant .....	9.195	SLEEVE, Heater .....	8.846
SHELL KIT, A.C. Refrigerant .....	9.195	SLEEVE, Instrument Cluster .....	9.748
SHELL, Power Brake Booster(Vacuum) .....	4.906	SLEEVE, Intake & Exhaust Manifold .....	3.273
SHELL, Transmission Output Shaft or Carrier .....	4.175	SLEEVE KIT, A.C. Condenser .....	9.190
SHIELD, Back Window Gutter .....	10.997	SLEEVE KIT, Steering Tie Rod Adjuster .....	6.232
SHIELD, Brake Flange Plate .....	5.002	SLEEVE KIT, Transmission Control Rod To Lever .....	4.037
SHIELD, Catalytic Converter .....	3.690	SLEEVE, Luggage Carrier .....	12.815
SHIELD, Chassis Wiring Harness .....	2.559	SLEEVE, Oil Pump .....	1.639
SHIELD, Distributor .....	2.383	SLEEVE, Roof Panel .....	12.810
SHIELD, Door Lock Remote Control .....	10.500	SLEEVE, Speedometer Driven Gear .....	4.338
SHIELD, Engine Fuel Intake Manifold .....	3.265	SLEEVE, Speedometer Driven Gear .....	4.338
SHIELD, Engine Valve .....	0.308	SLEEVE, Transmission Gearshift .....	4.307
SHIELD, Exhaust Manifold Heater .....	3.602	SLEEVE, Transmission First And Reverse Gear Thrust .....	4.419
SHIELD, Exhaust Tail Pipe .....	3.705	SLEEVE, Transmission Oil Pump .....	4.224
SHIELD, Floor Pan .....	12.980	SLIDE BLOCK, Front Seat Adjuster .....	11.61
SHIELD, Front Door .....	10.470	SLINGER, Differential Drive Pinion .....	5.484
SHIELD, Front Fender .....	8.153	SLINGER, Generator Drive End .....	2.307
SHIELD, Fuel Line .....	3.163	SLINGER, Transmission Main Drive Gear Bearing .....	4.374
SHIELD, Headlamp .....	2.726	SOCKET, Back Up Lamp .....	2.697
SHIELD, Ignition Switch Warning, Lock or Headlamp .....	2.195	SOCKET, Brake Shoe Adjusting Screw .....	5.111
SHIELD, Instrument Cluster .....	9.748	SOCKET, Instrument Cluster .....	9.744
SHIELD, Instrument Panel Compartment Lamp .....	10.275	SOCKET, Instrument Cluster Warning .....	9.765
SHIELD KIT, Distributor .....	2.393	SOCKET, Luggage Compartment .....	9.988
SHIELD, Radiator to Grille .....	1.287	SOCKET, Parking Lamp .....	2.596
SHIELD, Radio Static Suppression .....	9.663	SOCKET, Rear License Lamp .....	2.714
SHIELD, Rear Axle Universal Joint .....	5.425	SOCKET, Rear License Lamp .....	2.714
SHIELD, Rear Compartment Floor .....	12.981	SOCKET, Side Marker and Hazard Flasher .....	2.575
SHIELD, Rear Wheel Bearing Dust .....	5.815	SOCKET, Tail Lamp .....	2.694
SHIELD, Side Marker and Hazard Flasher .....	2.575	SOCKET, Tie Rod .....	6.233
SHIELD, Spark Plug Wire .....	2.251	SOLENOID, Carburetor Air Cleaner Controls .....	3.415
SHIELD, Starter Solenoid .....	2.104	SOLENOID, Carburetor Idle .....	3.440
SHIELD, Steering Column .....	6.514	SOLENOID, Early Fuel Evaporation Control .....	3.140
SHIELD, Wheelhouse .....	12.944	SOLENOID, Emission Control System .....	3.670
SHIELD, Windshield Wiper Motor Drive .....	10.151	SOLENOID, Engine and Transmission Controlled Spark .....	2.408
SHIM, A.C. Compressor Mounting .....	9.171	SOLENOID, Transmission Solenoid .....	4.122
SHIM, Body to Frame Bolt .....	9.023	SOLENOID VALVE, Windshield Wiper Access .....	10.130
SHIM, Bumper Energy Absorber .....	7.840	SPACER, A.C. Compressor Pulley .....	9.181
		SPACER, A.C. Compressor Mounting .....	9.171

## ALPHABETICAL INDEX

SPACER, A.C. Evaporator Blower .....	9.215	SPRING, Carburetor Metering Rod .....	3.810
SPACER, Air Distributor .....	9.262	SPRING, Carburetor Power Piston .....	3.859
SPACER, Air Distributor .....	9.786	SPRING, Carburetor Pump .....	3.841
SPACER, Air Injection Reactor and Exhaust Gas Recirculation .....	3.680	SPRING, Carburetor Throttle Valve and Throttle Lever Adjusting .....	3.761
SPACER, Air Injection Reactor Pump .....	3.650	SPRING, Clutch and Brake Pedal Shaft .....	0.837
SPACER, Air Injection Reactor Pump .....	3.655	SPRING, Clutch Pressure .....	0.865
SPACER, Back Window .....	11.204	SPRING, Clutch Pressure Lever Retainer .....	0.878
SPACER, Battery .....	2.333	SPRING, Concealed Headlamp Control Opening Cover .....	2.765
SPACER, Body to Frame Bolt .....	9.023	SPRING, Concealed Headlamp Control Drive .....	2.760
SPACER, Brake Pedal .....	4.626	SPRING CLIP, A.C. Vacuum & Temperature .....	9.281
SPACER, Bumper Energy Absorber .....	7.840	SPRING CLIP, Concealed Headlamp Control Opening Cover .....	2.765
SPACER, Concealed Headlamp Opening Cover .....	2.770	SPRING CLIP, Cruise Control .....	3.885
SPACER, Differential Bearing Adjusting .....	5.537	SPRING CLIP, Speedometer to Instrument Panel(Domestic) .....	9.761
SPACER, Differential Drive Pinion Front and Center Bearing .....	5.453	SPRING CLIP, Windshield Washer .....	10.155
SPACER, Door Weatherstrip .....	10.695	SPRING, Differential Clutch .....	5.511
SPACER, Early Fuel Evaporation .....	3.145	SPRING, Distributor Breaker .....	2.385
SPACER, Engine Cooling .....	1.064	SPRING, Distributor Weight .....	2.389
SPACER, Engine Fan Coolant .....	1.060	SPRING, Door Lock Cylinder .....	10.553
SPACER, Exhaust .....	3.609	SPRING, Door Lock Inside .....	10.512
SPACER, Front Seat Back Panel .....	11.368	SPRING, Door Outside Handle .....	10.529
SPACER, Fuel Line .....	3.163	SPRING, Engine Clutch Fork Return .....	0.844
SPACER, Generator .....	2.317	SPRING, Engine Clutch Lever & Shaft .....	0.851
SPACER, Generator Mounting .....	2.277	SPRING, Engine Clutch .....	0.864
SPACER, Hardtop .....	13.346	SPRING, Engine Clutch Release Fork .....	0.796
SPACER, Hydraulic Steering Valve .....	6.554	SPRING, Engine Valve .....	0.303
SPACER, Hydraulic Steering Cylinder Piston Rod .....	6.581	SPRING, Folding and Hard Top .....	14.080
SPACER, Parking Brake .....	4.790	SPRING, Folding Top Compartment Lid .....	12.242
SPACER, Radiator Grille and Front End Panel .....	1.267	SPRING, Folding Top Compartment .....	12.170
SPACER, Radio Antenna .....	9.647	SPRING, Front Chassis .....	7.412
SPACER, Radio Control .....	9.649	SPRING, Front Seat Adjuster .....	11.561
SPACER, Rear Axle Shaft Bearing .....	5.816	SPRING, Front Seat Manual Adjuster .....	11.581
SPACER, Rear Compartment .....	12.269	SPRING, Fuel Tank Evaporator Control Engine End) .....	3.130
SPACER, Rear Compartment Lid and End Gate .....	12.184	SPRING, Fuel Tank Filler .....	12.945
SPACER, Rear Compartment Lid Lock .....	12.237	SPRING, Generator .....	2.319
SPACER, Rear Spring .....	7.535	SPRING, Generator Brush .....	2.286
SPACER, Rear Spring and Shock Absorber Anchor .....	7.518	SPRING, Headlamp Adjuster .....	2.737
SPACER, Seat Belt .....	14.875	SPRING, Headlamp Dimmer .....	2.459
SPACER, Stabilizer .....	7.240	SPRING, Heat Valve Actuator .....	3.641
SPACER, Starter Motor .....	2.042	SPRING, Hood Latch .....	8.083
SPACER, Steering Column .....	6.514	SPRING, Hood Latch .....	8.085
SPACER, Steering Idler Lever .....	6.897	SPRING, Horn Button, Blowing .....	2.819
SPACER, Steering Knuckle Control Arm .....	6.176	SPRING, Hydraulic Steering Cylinder Piston Rod .....	6.581
SPACER, Steering Pump Mounting .....	6.606	SPRING, Hydraulic Steering Adapter .....	6.560
SPACER, Transmission Housing .....	4.162	SPRING, Ignition Switch Warning, Lock or Headlamp .....	2.195
SPACER, Transmission Mainshaft Front Pilot to Main Drive Gear .....	4.353	SPRING, Instrument Cluster Warning .....	9.765
SPACER, Transmission Mounting .....	4.085	SPRING, Instrument Panel Ash Tray .....	12.009
SPACER, Transmission Pressure Regulator and Oil Pump .....	4.216	SPRING, Instrument Panel .....	14.655
SPACER, Transmission Mount and Support .....	4.085	SPRING KIT, Brake Shoe .....	5.026
SPACER, Transmission Counter Gear .....	4.423	SPRING KIT, Engine Valve .....	0.303
SPACER, Transmission Mainshaft Bearing .....	4.353	SPRING KIT, Windshield Washer Pump .....	10.153
SPACER, Transmission Oil Pump .....	4.226	SPRING, Oil Pressure Regulator .....	1.609
SPACER, Turn Signal Lamp .....	2.895	SPRING, Parking Brake Lever .....	5.151
SPACER, Universal Joint Yoke Trunnion .....	5.566	SPRING, Plenum Air .....	9.789
SPACER, Windshield Glass .....	10.027	SPRING, Power Brake Booster(Vacuum) .....	4.924
SPACER, Windshield Reveal .....	10.096	SPRING, Rear Chassis .....	7.503
SPEAKER, Radio .....	9.650	SPRING, Rear Compartment .....	12.249
SPEAKER, Radio Auxiliary Speakers .....	9.665	SPRING, Rear View Mirror .....	10.186
SPHERE KIT, Steering Column .....	6.514	SPRING, Side Marker and Hazard Flasher .....	2.575
SPHERE, Steering Column .....	6.514	SPRING, Starter Drive .....	2.037
SPINDLE, Rear Wheel .....	5.806	SPRING, Starter Motor Drive Shift .....	2.108
SPLITTER BOX, Radio Antenna .....	9.647	SPRING, Starter Motor Brush .....	2.053
SPOTLIGHT PKG, Portable Spot(Group 9.773) .....	21.290	SPRING, Steering Column .....	6.521
SPRAG, Transmission Clutch .....	4.167	SPRING, Steering Column Housing .....	6.500
SPRAG, Transmission Clutch(Low & Reverse) .....	4.180	SPRING, Steering Column .....	6.514
SPRING, auto Jack .....	8.820	SPRING, Steering Connecting Rod .....	0.876
SPRING, Accelerator Return Spring .....	3.459	SPRING, Steering Gear Hydraulic Valve .....	6.552
SPRING, Air Distributor .....	9.786	SPRING, Steering Gear Shaft .....	6.525
SPRING, Brake Drum .....	5.810	SPRING, Steering Pump .....	6.612
SPRING, Brake Hose or Pipe .....	4.681	SPRING, Sunshade .....	10.219
SPRING, Brake Pull Back .....	4.760	SPRINGS, Front Chassis .....	7.412
SPRING, Brake Shoe .....	5.026	SPRINGS, Rear Chassis .....	7.503
SPRING, Brake Shoe Automatic Adjusting Lever .....	5.107	SPRING, Transmission Control Lever .....	4.008
SPRING, Carburetor (with Leather and Shaft) .....	3.838	SPRING, Transmission Clutch(Low & Reverse) .....	4.180
SPRING, Carburetor and Fuel Injection Idle Adjusting Screw .....	3.823	SPRING, Transmission Shift Shaft Detent .....	4.311
SPRING, Carburetor and Fuel Injection Fast Idle .....	3.766	SPRING, Transmission Clutch .....	4.163
SPRING, Carburetor and Fuel Meter Fuel Inlet .....	3.740	SPRING, Transmission Pressure Regulator and Oil Pump .....	4.216
SPRING, Carburetor Air Valve .....	3.757	SPRING, Transmission Shift Control Cable .....	4.047
SPRING, Carburetor Diaphragm Return .....	3.763		

## ALPHABETICAL INDEX

SPRING, Transmission Clutch .....	4.164	STRUT, Parking Brake Lever .....	5.150
SPRING, Transmission Synchronizing .....	4.413	STRUT, Rear Axle Tie .....	5.415
SPRING, Transmission Oil Pump .....	4.226	STUD, A.C. Compressor Mounting .....	9.171
SPRING, Transmission Clutch .....	4.167	STUD, Accelerator Pedal Mounting .....	3.452
SPRING, Transmission Control Rod To Lever .....	4.037	STUD, Accelerator Return Spring .....	3.459
SPRING, Transmission Control .....	4.008	STUD, Air Cleaner Air Intake .....	3.417
SPRING, Transmission Control Rod .....	4.037	STUD, Air Distributor .....	9.786
SPRING, Transmission Shift Control Lever .....	4.027	STUD, Battery Hold Down .....	2.334
SPRING, Transmission, Shift Shaft Detent .....	4.311	STUD, Carburetor to Manifold .....	3.288
SPRING, Transmission Synchronizing .....	4.413	STUD, Carburetor to Manifold .....	3.726
SPRING, Transmission First And Reverse Gear Thrust .....	4.419	STUD, Carburetor Air Cleaner and Silencer .....	3.403
SPRING, Transmission Rear Bearing and Mainshaft .....	4.412	STUD, Carburetor Throttle Control .....	3.425
SPRING, Transmission Gearshift Shaft .....	4.027	STUD, Concealed Headlamp Control Opening Cover .....	2.765
SPRING, Transmission Throttle Valve .....	4.275	STUD, Cruise Control .....	3.880
SPRING, Transmission Front Servo .....	4.233	STUD, Emission Control System .....	3.671
SPRING, Transmission Parking Brake .....	4.295	STUD, Engine Air Cool Fan .....	1.050
SPRING, Transmission Gearshift Control Hand Lever .....	4.008	STUD, Engine Clutch Lever & Shaft .....	0.851
SPRING, Transmission Main Valve .....	4.216	STUD, Engine Clutch Release Fork .....	0.796
SPRING, Transmission Servo & Accumulator .....	4.233	STUD, Engine Coolant .....	1.153
SPRING, Transmission Rear Servo .....	4.246	STUD, Engine Coolant Pump .....	1.073
SPRING, Transmission Gearshift Rod .....	4.037	STUD, Engine Fan Coolant .....	1.060
SPRING, Transmission Vacuum .....	4.205	STUD, Engine Fuel Intake Manifold .....	3.265
SPRING, Transmission Clutch .....	4.164	STUD, Engine Main Bearing Cap .....	0.056
SPRING, Transmission Control Lever .....	4.027	STUD, Engine Oil Pump .....	1.652
SPRING, Turn Signal Switch Cancelling .....	2.896	STUD, Engine Valve Adjusting .....	0.429
SPRING, Wheel Cylinder .....	4.669	STUD, Engine Valve Rocker Arm Cover .....	0.413
SPRING, Windshield Wiper Motor Drive .....	10.151	STUD, Exhaust Pipe .....	3.613
SPRING, Windshield Wiper Motor .....	10.150	STUD, Flywheel .....	0.679
SPROCKET, Engine Camshaft .....	0.736	STUD, Folding and Hard Top .....	14.080
SPROCKET, Engine Crankshaft .....	0.728	STUD, Fuel Pump Mounting .....	3.901
STATOR, Generator Field .....	2.310	STUD, Hardtop .....	13.346
STOP, Concealed Headlamp Control Opening Cover .....	2.765	STUD, Hydraulic Steering Cylinder Piston Rod .....	6.581
STOP, Door Window .....	10.716	STUD, Ignition Switch .....	2.188
STOP, Folding Top .....	14.340	STUD, Intake & Exhaust Manifold .....	3.275
STOP, Headlamp Control .....	2.775	STUD, Intake Manifold Vacuum .....	3.278
STOP, Transmission Pressure Regulator and Oil Pump .....	4.216	STUD, Oil Pan .....	1.428
STOVE, Air Cleaner Air Intake .....	3.417	STUD, Rear Hatch Window .....	12.187
STRAINER, Fuel Tank Gage .....	3.110	STUD, Starter Motor Drive Shift .....	2.108
STRAP, A.C. Compressor .....	9.242	STUD, Starter Motor Switch .....	2.102
STRAP, Battery(Negative) .....	2.341	STUD, Steering Connecting Rod .....	6.874
STRAP, Chassis Wiring Harness .....	2.559	STUD, Steering Pump Mounting .....	6.606
STRAP, Distributor .....	2.383	STUD, Throttle Control Lever .....	3.463
STRAP, Distributor .....	2.400	STUD, Transmission Throttle Valve Control .....	4.052
STRAP, Engine Cooling .....	1.219	STUD, Windshield Wiper Access .....	10.130
STRAP, Exhaust Manifold Heater .....	3.602	SUB BODY, Headlamp .....	2.726
STRAP, Fuel Tank Mounting .....	3.022	SUNSHADE, Windshield Sunshade .....	10.203
STRAP, Headlamp .....	2.485	SUPPORT, A.C. Compressor Mounting .....	5.171
STRAP, Heater Core .....	8.854	SUPPORT, Accelerator Pedal Lever .....	3.454
STRAP, Luggage Carrier .....	12.815	SUPPORT, Body Rear End(Plastic Laminated) .....	12.986
STRAP, Plenum Air .....	9.789	SUPPORT, Brake Flange .....	5.001
STRAP, Radio Static Suppression .....	9.663	SUPPORT, Bumper .....	7.836
STRAP, Rear Axle Rebound .....	5.390	SUPPORT, Bumper Energy Absorber .....	7.840
STRAP, Rear Compartment Floor .....	12.981	SUPPORT, Catalytic Converter .....	3.690
STRAP, Roof Panel .....	12.810	SUPPORT, Concealed Headlamp Control Opening Cover .....	2.765
STRIKER, Door Lock .....	10.569	SUPPORT, Floor Console .....	10.240
STRIKER, Folding Top Roof Rail .....	14.090	SUPPORT, Front Body Hinge Pillar .....	12.940
STRIKER, Hood Latch .....	8.080	SUPPORT, Fuel Tank Evaporator Control(Engine End) .....	3.130
STRIKER, Instrument Panel Compartment Door .....	10.268	SUPPORT, Fuel Tank Stone Shield .....	3.015
STRIKER, Rear Compartment Lid Lock .....	12.257	SUPPORT, Generator Mounting .....	2.277
STRIKER, Rear Compartment Floor .....	12.981	SUPPORT, Hood Panel .....	8.015
STRIKER, Rear View Mirror .....	10.186	SUPPORT, Horn Button Blowing .....	2.819
STRIKER, Stop Lamp .....	2.447	SUPPORT, Inside Rear View Mirror .....	10.187
STRIP, Bumper Energy Absorber .....	7.840	SUPPORT, Instrument Panel Compartment Lamp .....	10.275
STRIP, Bumper Face .....	7.831	SUPPORT KIT, Concealed Headlamp Control Opening Cover .....	2.765
STRIP, Bumper .....	7.832	SUPPORT, Parking Lamp .....	2.587
STRIP, Front Door .....	12.112	SUPPORT, Power Brake Booster(Vacuum) .....	4.930
STRIP, Front Fender and Body Ornamentation .....	8.132	SUPPORT, Radiator .....	1.270
STRIP, E Hood Panel Ornamentation .....	8.055	SUPPORT, Radiator Fan .....	1.277
STRIP, Inside and Outside Rear View .....	10.185	SUPPORT, Radiator Grille and Front End Panel .....	1.267
STRIP, Rear Compartment Lid and Rear End Panel .....	12.182	SUPPORT, Radio Static Suppression .....	9.663
STRIP, Rear Quarter Ornamentation .....	12.116	SUPPORT, Rear Axle Control Arm .....	5.380
STRIP, Roof Panel .....	12.812	SUPPORT, Rear Axle Tie Rod .....	5.418
STRIP, Front Body Hinge Pillar .....	12.840	SUPPORT, Rear Body Lock Pillar .....	12.942
STRIP, Rear Body Lock Pillar .....	12.942	SUPPORT, Rear Compartment Floor .....	12.981
STRIP, Rear Compartment Floor .....	12.981	SUPPORT, Roof Panel .....	12.810
STRIP, Roof Panel .....	12.810	SUPPORT, Shroud and Dash and Vent Duct .....	12.804
STRIP, Windshield Glass .....	10.092	SUPPORT, Spare Wheel .....	7.629
STRUT, Clutch Release Lever .....	0.875	SUPPORT, Spark Plug Wire .....	2.251
		SUPPORT, Starter Motor Brush .....	2.052
		SUPPORT, Steering Column .....	6.518



## ALPHABETICAL INDEX

SUPPORT, Steering Column Attaching .....	6.760
SUPPORT, Sunshade .....	10.219
SUPPORT, Transmission Housing .....	4.162
SUPPORT, Transmission Output Shaft or Carrier .....	4.175
SUPPORT, Transmission Control Lever .....	4.010
SUPPORT, Transmission Control Valve .....	4.265
SUPPORT, Turn Signal Switch .....	2.906
SWITCH, A.C. Compressor (Internal Parts)(Axial) .....	9.172
SWITCH, A.C. Control Vacuum .....	9.280
SWITCH, A.C. Electric Control .....	9.275
SWITCH, Back Up Lamp .....	2.698
SWITCH, Body Harness .....	13.095
SWITCH, Brake Pressure Regulator .....	4.690
SWITCH, Concealed Headlamp Motor .....	2.755
SWITCH, Coolant Temperature (Engine Unit) .....	1.150
SWITCH, Courtesy Lamp .....	11.950
SWITCH, Distributor Vacuum .....	2.410
SWITCH, Door Electric and Vacuum Locks .....	10.485
SWITCH, Door Window .....	10.777
SWITCH, Early Fuel Evaporation Control .....	3.140
SWITCH, Emission Control System .....	3.670
SWITCH, Engine and Transmission Controlled Spark .....	2.408
SWITCH, Engine Air Cooling(Electrical) .....	1.055
SWITCH, Exhaust Manifold Heat Valve .....	3.640
SWITCH, Headlamp .....	2.485
SWITCH, Headlamp Dimmer .....	2.459
SWITCH, Heater Control .....	8.852
SWITCH, Ignition Switch .....	2.188
SWITCH, Ignition Switch Warning, Lock or Headlamp .....	2.195
SWITCH, Instrument Panel Compartment Lamp .....	10.275
SWITCH KIT, A.C. Compressor (Internal parts)(Radial) .....	9.172A
SWITCH KIT, A.C. Compressor (Internal Parts)(Axial) .....	9.172
SWITCH KIT, Ignition Switch Warning, Lock or Headlamp .....	2.195
SWITCH, Oil Pressure or Temperature .....	1.800
SWITCH, Parking Brake Alarm .....	4.589
SWITCH, Radio Antenna .....	9.647
SWITCH, Rear View Mirror .....	10.186
SWITCH, Rear Window Defogger .....	9.778
SWITCH, Seat Adjuster .....	11.558
SWITCH, Side Marker and Hazard Flasher .....	2.575
SWITCH, Starter Motor .....	2.100
SWITCH, Stop Lamp .....	2.447
SWITCH, Transmission Smog Control .....	4.075
SWITCH, Transmission Control Spark .....	4.075
SWITCH, Transmission Control .....	4.057
SWITCH, Transmission Safety Starting Switch .....	4.054
SWITCH, Transmission Control Spark .....	4.075
SWITCH, Transmission Safety Starting Switch .....	4.054
SWITCH, Transmission Converter .....	4.115
SWITCH, Transmission Control Valve .....	4.265
SWITCH, Transmission Control Safety .....	4.054
SWITCH, Turn Signal Lamp .....	2.895
SWITCH, Windshield Wiper Motor .....	10.150
SWITCH, Windshield Wiper Control .....	10.163
SWIVEL, Carburetor Throttle Control .....	3.425
SWIVEL, Clutch Fork Release .....	0.787
SWIVEL, Transmission Control Rod To Lever .....	4.037
SWIVEL, Transmission Throttle Valve Control .....	4.052
SWIVEL, Transmission Safety Starting Switch .....	4.054
SWIVEL, Transmission Control Rod .....	4.037
SWIVEL, Transmission Throttle Valve Control .....	4.052
SWIVEL, Transmission Safety Starting Switch .....	4.054
SWIVEL, Transmission Throttle Valve Control .....	4.052
SWIVEL, Transmission Control Safety .....	4.054
SYNCHRONIZER, Transmission Synchronizing .....	4.380

### T

TACHOMETER, Tachometer .....	9.750
TANK, Concealed Headlamp Control Drive .....	2.760
TANK, Engine Cooling .....	1.219
TANK, Fuel .....	3.001
TAPE, Back Window Glass .....	11.207
TAPE, Bumper .....	7.832
TAPE, Front Fender and Body Ornamentation .....	8.132
TEE, A.C. Vacuum & Temperature .....	9.281

TEE, Auto Shock Absorber .....	7.447
TEE, Concealed Headlamp Control Drive .....	2.760
TEE, Crankcase .....	1.745
TEE, Distributor Vacuum .....	2.420
TEE, Fuel Line .....	3.163
TEE, Fuel Tank Evaporator Control(Engine End) .....	3.130
TEE, Intake Manifold Vacuum .....	3.278
TEE, Power Brake Booster(Vacuum) .....	4.931
TEE, Transmission Vacuum .....	4.205
TEE, Windshield Washer .....	10.155
TERMINAL BLOCK, Distributor .....	2.383
TERMINAL, Chassis Electrical .....	2.530
TERMINAL, Concealed Headlamp Control Opening Cover .....	2.765
TERMINAL, Heater Blower Motor .....	8.855
TERMINAL KIT, Generator .....	2.313
THERMOSTAT, Automatic Choke Control .....	3.750
THERMOSTAT, Engine Coolant Temperature .....	1.246
THERMOSTAT, Exhaust Manifold Heat Valve .....	3.640
TIMER, Courtesy Lamp .....	11.935
TIMER, Instrument Cluster Warning .....	9.765
TOOL, Wheel and Jack Wrench .....	8.821
TRANSCEIVER, Radio .....	9.650
TRANSUCER, Cruise Control .....	3.885
TRANSISTOR, Distributor .....	2.383
TRANSISTOR, Voltage and Glow Plug .....	2.510
TRANSMISSION, Automatic .....	4.003
TRANSMISSION, Manual (4 Speed) .....	4.003
TRANSMISSION, Seat Adjuster .....	11.556
TRANSMISSION, Windshield Wiper TRAY, Door, Quarter Arm Rest or Front Seat Back .....	10.159
TRAY, Spare Wheel .....	12.045
TRIM, Folding Top Cover .....	7.629
TRIM, Front Seat Back and Back of Back .....	13.347
TRIM, Front Seat Cushion .....	14.800
TRIM, Roof Trim Headlining .....	14.880
TUBE, A.C. Blower Motor Cooling .....	14.640
TUBE, A.C. Compressor (Internal Parts)(Axial) .....	9.218
TUBE, A.C. Evaporator .....	9.172
TUBE, A.C. Refrigerant (All Metal) .....	9.211
TUBE, A.C. Refrigerant .....	9.220
TUBE, Air Injection Reactor and Exhaust Gas Recirculation .....	9.195
TUBE, Choke Heater or Air .....	3.680
TUBE, Crankcase .....	3.603
TUBE, Crankcase Ventilation .....	1.745
TUBE, Front Seat Adjuster .....	1.762
TUBE, Oil Level .....	11.561
TUBE, Power Brake Booster(Vacuum) .....	1.516
TUBE, Shock Absorber Air Lift .....	4.930
TUBE, Speedometer to Instrument Panel(Domestic) .....	7.346
TUBE, Steering Column .....	9.761
TUBE, Transmission Gearshift Control Shifter .....	6.518
TUBE, Transmission Oil Filler .....	4.025
TUBE, Transmission Oil Filler .....	4.133
TUBE, Transmission Oil Filler .....	4.133
TUBE, Transmission Shift Control .....	4.025
TUMBLER, Door Lock Cylinder .....	10.553
TUMBLER, Rear Compartment .....	12.249

### U

U BOLT, Exhaust System Attaching .....	3.708
U BOLT KIT, Exhaust System Attaching .....	3.708
U BOLT, Rear Spring and Shock Absorber Anchor Plate .....	7.516
U BOLT, Universal Joint Bearing and Flange .....	5.586
UNDERPAN, Flywheel .....	0.679
UNIT, Rear Spring and Axle .....	7.529
UNIT, Steering Gear Repair .....	6.507

### V

VALVE, A.C. Compressor (Internal Parts)(Axial) .....	9.172
VALVE, A.C. Compressor Pressure Relief .....	9.178
VALVE, A.C. Expansion Refrigerant .....	9.213
VALVE, Air Distributor .....	9.262

## ALPHABETICAL INDEX

VALVE, Air Distributor .....	9.786	WASHER, Door Window .....	10.728
VALVE, Air Duct .....	9.782	WASHER, Door Window .....	10.716
VALVE, Brake Pressure Regulator .....	4.690	WASHER, Door Window Regulator .....	10.792
VALVE, Carburetor Air Cleaner Controls .....	3.415	WASHER, Engine Clutch Lever & Shaft .....	0.851
VALVE, Carburetor Choke .....	3.751	WASHER, Engine Coolant Temperature (Dash	
VALVE, Carburetor Idle Vapor Vent .....	3.852	Unit) .....	1.148
VALVE, Concealed Headlamp Control Drive .....	2.760	WASHER, Engine Crankshaft Pulley and	
VALVE, Crankcase .....	1.745	Balancer .....	0.662
VALVE, Cruise Control .....	3.885	WASHER, Engine Cylinder Head .....	0.293
VALVE, Early Fuel Evaporation Control .....	3.140	WASHER, Engine Oil Pump .....	1.652
VALVE, Emission Control System .....	3.670	WASHER, Exhaust Mounting .....	3.706
VALVE, Engine and Transmission Controlled		WASHER, Exhaust Muffler .....	3.704
Spark .....	2.408	WASHER, Folding and Hard Top .....	14.080
VALVE, Exhaust .....	0.297	WASHER, Folding Top Side Rail Center .....	14.190
VALVE, Exhaust Manifold Heat .....	3.647	WASHER, Folding Top Side Roof Rail .....	14.162
VALVE EGR, Emission Control System .....	3.670	WASHER, Frame Front Cross Member .....	7.039
VALVE, Fuel Tank Evaporator Control(Engine		WASHER, Front Door Window Regulator .....	10.763
End) .....	3.130	WASHER, Front Door Window .....	10.685
VALVE, Heater Temperature Control .....	8.850	WASHER, Front Fender .....	8.143
VALVE, Heater Water Temperature Control .....	9.795	WASHER, Fuel Injection Distributor .....	3.340
VALVE, Intake .....	0.296	WASHER, Fuel Pump Mounting .....	3.901
VALVE KIT, Carburetor Power .....	3.858	WASHER, Fuel Tank Mounting Strap .....	3.023
VALVE KIT, Emission Control System .....	3.670	WASHER, Generator .....	2.313
VALVE KIT, Transmission Control Valve .....	4.265	WASHER, Generator Brush .....	2.291
VALVE KIT, Transmission Main Valve .....	4.216	WASHER, Generator Drive End .....	2.307
VALVE KIT, Transmission Pressure Regulator		WASHER, Generator Mounting .....	2.277
and Oil Pump .....	4.216	WASHER, Generator Rotor Shaft .....	2.280
VALVE, Main Cylinder .....	4.657	WASHER, Hydraulic Steering Cylinder Piston	
VALVE, Oil Filter .....	1.837	Rod .....	6.581
VALVE, Oil Pressure Regulator .....	1.609	WASHER, Hydraulic Steering Valve .....	6.554
VALVE, Power Brake Booster Check(Vacuum) ...	4.955	WASHER, Ignition Switch Warning, Lock or	
VALVE, Shock Absorber Air Lift .....	7.346	Headlamp .....	2.195
VALVE, Steering Gear Hydraulic .....	6.550	WASHER, Instrument Panel .....	2.515
VALVE, Steering Pump Control .....	6.624	WASHER, Instrument Panel Fuel Gage .....	3.108
VALVE, Suction Throttling (P.O.A.) .....	9.198	WASHER KIT, A.C. Compressor .....	9.170
VALVE, Tire Valve And Cover Lock .....	5.875	WASHER KIT, Transmission Low Sun Gear and	
VALVE, Transmission Control Valve .....	4.265	Clutch .....	4.162
VALVE, Transmission Converter .....	4.115	WASHER, Luggage Carrier .....	12.815
VALVE, Transmission Pressure Regulator and		WASHER, Master Cylinder Adjusting .....	4.662
Oil Pump .....	4.216	WASHER, Oil Pressure Gage .....	1.803
VALVE, Transmission Vacuum .....	4.205	WASHER, Parking Brake Lever .....	5.158
VALVE, Transmission Vacuum .....	4.205	WASHER, Propeller Shaft Pinion Flange .....	5.595
VALVE, Wheel Cylinder .....	4.666	WASHER, Quarter Window Sash .....	11.007
VALVE, Windshield Washer Pump .....	10.153	WASHER, Radiator .....	1.263
VALVE, Windshield Wiper Control .....	10.163	WASHER, Radiator .....	1.270
VANE, Transmission Oil Pump .....	4.226	WASHER, Rear Axle .....	5.387
VENTILATOR, Crankcase .....	1.745	WASHER, Rear Axle .....	5.830
VENTILATOR, Door (Less Glass) .....	10.650	WASHER, Rear Axle Control Arm .....	5.380
VENTILATOR, Rear Axle .....	5.387	WASHER, Rear Axle Control Arm .....	5.383
VENTILATOR, Transmission Case .....	4.104	WASHER, Rear Axle Tie Rod .....	5.418
VENTILATOR, Transmission Case .....	4.104	WASHER, Roof Panel .....	12.810
VENTILATOR, Transmission Case .....	4.104	WASHER, Seat Back .....	11.381
VENT, Transmission Case .....	4.104	WASHER, Shock Absorber .....	7.347
		WASHER, Starter Motor Switch .....	2.102
		WASHER, Starter Motor Thrust .....	2.063
		WASHER, Steering Column .....	6.521
		WASHER, Steering Column Attaching .....	6.760
		WASHER, Steering Column Housing .....	6.500
		WASHER, Steering Gear Shaft .....	6.525
		WASHER, Steering Gear Hydraulic Valve .....	6.552
		WASHER, Steering Idler Lever .....	6.897
		WASHER, Steering Knuckle Upper Control Arm ..	6.178
		WASHER, Steering Knuckle Spindle .....	6.321
		WASHER, Steering Knuckle Lower Control Arm ..	6.172
		WASHER, Steering Pitman Arm .....	6.861
		WASHER, Steering Pump .....	6.655
		WASHER, Steering Pump Mounting .....	6.606
		WASHER, Tachometer .....	9.750
		WASHER, Transmission Servo & Accumulator ...	4.233
		WASHER, Transmission Clutch .....	4.169
		WASHER, Transmission Control Indicator .....	4.022
		WASHER, Transmission Main Drive Gear	
		Bearing Retainer .....	4.376
		WASHER, Transmission Clutch .....	4.164
		WASHER, Transmission Reverse Gear Thrust .....	4.419
		WASHER, Transmission First And Reverse Gear	
		Thrust .....	4.419
		WASHER, Transmission Input .....	4.158
		WASHER, Transmission Reverse Idler Gear	
		Thrust .....	4.437
		WASHER, Transmission Control Lever .....	4.012
		WASHER, Transmission Oil Pump .....	4.226
		WASHER, Transmission Control Valve .....	4.265

### W

WASHER, A.C. Compressor Drive .....	9.180
WASHER, Air Distributor .....	9.262
WASHER, Battery Filler .....	2.345
WASHER, Battery Hold Down .....	2.334
WASHER, Brake Hose .....	4.671
WASHER, Brake Master Cylinder Rod .....	4.659
WASHER, Brake Pedal .....	4.634
WASHER, Brake Shoe Adjusting .....	5.110
WASHER, Bumper to Body .....	7.833
WASHER, Bumper Energy Absorber .....	7.840
WASHER, Bumper Mounting .....	7.865
WASHER, Carburetor to Manifold .....	3.288
WASHER, Carburetor Throttle Valve and	
Throttle Lever Adjusting .....	3.761
WASHER, Clutch and Brake Pedal Shaft .....	0.837
WASHER, Clutch Fork Push Rod Adj .....	0.793
WASHER, Concealed Headlamp Control	
Opening Cover .....	2.765
WASHER, Differential Pinion Thrust .....	5.542
WASHER, Differential Side Gear Thrust .....	5.543
WASHER, Distributor .....	2.364
WASHER, Distributor Shaft Thrust and Gear .....	2.379
WASHER, Door Lock .....	10.571
WASHER, Door Outside Handle .....	10.529
WASHER, Door Weatherstrip .....	10.694

## ALPHABETICAL INDEX

WASHER, Transmission Reverse Idler Gear Thrust .....	4.437
WASHER, Transmission Shift Control Cable .....	4.047
WASHER, Transmission Output Shaft or Carrier .....	4.175
WASHER, Transmission Output Shaft or Carrier .....	4.175
WASHER, Transmission Pressure Regulator and Oil Pump .....	4.215
WASHER, Transmission Housing .....	4.162
WASHER, Transmission Counter Gear .....	4.423
WASHER, Transmission Rear Servo .....	4.241
WASHER, Transmission Countergear Bearing .....	4.423
WASHER, Transmission Control Lever .....	4.012
WASHER, Transmission Gearshift Shaft .....	4.027
WASHER, Transmission Shift Control Lever .....	4.027
WASHER, Transmission Low Servo .....	4.228
WASHER, Transmission Governor .....	4.256
WASHER, Transmission Clutch .....	4.164
WASHER, Transmission Clutch .....	4.169
WASHER, Transmission Gearshift Lever Selector and Indicator .....	4.022
WASHER, Transmission Plate Carrier .....	4.176
WASHER, Transmission Control .....	4.012
WASHER, Transmission Shift Control Shaft .....	4.027
WASHER, Windshield Reveal Molding .....	10.093
WASHER, Windshield Wiper Access .....	10.130
WASHER, Windshield Wiper Motor Drive .....	10.151
WASHER, Windshield Wiper Motor .....	10.150
WEATHERSTRIP, Back Window Glass .....	11.207
WEATHERSTRIP, Bottom of Top Front Roof Rail to Windshield .....	14.060
WEATHERSTRIP, Cowl Ledge .....	12.801
WEATHERSTRIP, Cowl Top Vent Louver .....	12.800
WEATHERSTRIP, Door Ventilator .....	10.652
WEATHERSTRIP, Door Weatherstrip .....	10.694
WEATHERSTRIP, Folding Top Side Roof Rail-Front .....	14.120
WEATHERSTRIP, Folding Top Side Rail Center ..	14.190
WEATHERSTRIP, Folding Top Cover (On Side Belt Rail) .....	13.352
WEATHERSTRIP, Folding Top Side Roof Rail Rear .....	14.260
WEATHERSTRIP, Folding Top .....	14.340
WEATHERSTRIP, Hardtop .....	13.346
WEATHERSTRIP, Rear Compartment .....	12.269
WEATHERSTRIP, Roof Panel .....	12.810
WEATHERSTRIP, Windshield Glass .....	10.092
WEDGE, Back Window Glass .....	11.207
WEDGE, Steering Column .....	6.514
WEIGHT, Distributor .....	2.388
WEIGHT, Wheel Balance .....	5.805
WHEEL, Front or Rear .....	5.803
WHEEL, Steering .....	6.513
WICK, Generator Oil .....	2.301
WINDLACE, Carpet .....	15.294
WINDOW, Folding Top Back .....	13.389
WIRE, Back Up Lamp .....	2.697
WIRE, Battery(Negative) .....	2.341
WIRE, Body Wiring .....	13.090
WIRE, Chassis Wiring .....	2.480
WIRE, Door Window .....	10.777
WIRE, Engine Air Cooling(Electrical) .....	1.055
WIRE, Engine Wiring .....	2.525
WIRE, Horn .....	2.815
WIRE, Horn Lead .....	2.859
WIRE KIT, Spark or Glow Plug .....	2.239
WIRE, Outside Air .....	9.787
WIRE, Parking Lamp .....	2.596
WIRE, Radio and Speaker .....	9.656
WIRE, Radio Antenna .....	9.647
WIRE, Rear Window Defogger .....	9.778
WIRE, Spark Plug .....	2.240
WIRE, Transmission Converter .....	4.115
WIRE, Transmission Safety Starting Switch .....	4.054
WIRE, Transmission Smog Control .....	4.075
WIRE, Transmission Throttle Valve .....	4.275
WIRE, Windshield Wiper Motor .....	10.150
WORM, Steering Column .....	6.524
WRENCH, Wheel and Jack Wrench .....	8.821

### Y

YOKE, Propeller Shaft Pinion .....	5.545
YOKE, Rear Axle Universal Joint .....	5.425
YOKE, Rear Wheel .....	5.806
YOKE, Steering Column .....	6.524
YOKE, Universal Joint .....	5.555

### Z

ZZCHART, A.C. Refrigerant Lines .....	9.222
---------------------------------------	-------

MICROFICHE INDEX  
GROUPS 6.000 THRU 8.000  
FICHE 4 OF 6

GROUP DESCRIPTION	STARTING GRID LOCATION	
	PARTS	ILLUSTRATIONS
- INTRODUCTION .....	A-6	H-2
- GENERAL INFORMATION .....	A-2	H-2
- ALPHABETICAL INDEX .....	C-11	N.A.
- INDEX FOR ADDITIONAL INFORMATION .....	A-5	N.A.
6.000 FRONT SUSPENSION - STEERING .....	E-2	H-6
7.000 FRAME - SPRINGS - SHOCKS - BUMPERS .....	F-2	J-2
8.000 FRONT END SHEET METAL - HEATER .....	G-5	L-2
- OUT OF FICHE CALLS .....	N.A.	M-11

**E-1**

PARTS

6



## ALPHABETICAL INDEX

<p>HOUSING KIT, Steering Column ..... 6.518            HOUSING KIT, Steering Column ..... 6.514            HOUSING, Steering Column ..... 6.518            HOUSING, Steering Gear ..... 6.803            HOUSING, Steering Pump ..... 6.608            HUB, Front Wheel ..... 6.307            HUB, Steering Wheel ..... 6.512</p> <p style="text-align: center;"><b>J</b></p> <p>JACKET, Steering Column ..... 6.518</p> <p style="text-align: center;"><b>K</b></p> <p>KEY, Hydraulic Steering Adapter ..... 6.560            KIT, Steering Gear Repair ..... 6.507            KNUCKLE, Steering ..... 6.020</p> <p style="text-align: center;"><b>L</b></p> <p>LEVER, Steering Column Housing ..... 6.500            LEVER, Steering Column ..... 6.514            LEVER, Steering Idler ..... 6.895            LOCK KIT, Steering Column Housing ..... 6.500            LOCK, Steering Column Housing ..... 6.500</p> <p style="text-align: center;"><b>N</b></p> <p>NUT, Hydraulic Steering Cylinder ..... 6.575            NUT, Steering Column Attaching ..... 6.760            NUT, Steering Gear Housing ..... 6.832            NUT, Steering Gear Shaft ..... 6.525            NUT, Steering Knuckle Spindle ..... 6.022            NUT, Steering Knuckle Lower Control Arm ..... 6.172            NUT, Steering Pitman Arm ..... 6.861            NUT, Steering Pump ..... 6.655            NUT, Steering Relay &amp; Tie Rod ..... 6.104            NUT, Upper Control Arm Shaft ..... 6.164</p> <p style="text-align: center;"><b>P</b></p> <p>PAD, Steering Column Housing ..... 6.500            PIN, King ..... 6.203            PIN KIT, King ..... 6.203            PIN, Steering Column ..... 6.514            PIN, Steering Pump ..... 6.608            PIPE, Steering Gear Oil Pressure ..... 6.670            PLATE KIT, Steering Pump ..... 6.612            PLATE, Steering Column ..... 6.518            PLATE, Steering Column ..... 6.514            PLATE, Steering Column Housing ..... 6.500            PLATE, Steering Pump ..... 6.609            PLATE, Steering Pump ..... 6.612            PLUG, Hydraulic Steering Cylinder Piston Rod ..... 6.581            PLUG, Hydraulic Steering Adapter ..... 6.560            PLUG, Steering Connecting Rod End ..... 6.881            PLUG, Steering King Pin Dust ..... 6.223            PULLEY, Steering Pump ..... 6.655            PUMP, Power Steering ..... 6.605</p> <p style="text-align: center;"><b>R</b></p> <p>RACE, Steering Column ..... 6.521            RACE, Steering Gear Thrust ..... 6.835            REINFORCEMENT, Hydraulic Steering Cylinder .. 6.575            REINFORCEMENT, Steering Column ..... 6.521</p>	<p>REPAIR KIT, Steering Gear Hydraulic Valve ..... 6.551            RESERVOIR KIT, Steering Pump ..... 6.635            RESERVOIR, Steering Pump ..... 6.635            RETAINER, Front Wheel Hub Grease ..... 6.330            RETAINER, Steering Column ..... 6.514            RETAINER, Steering Column Housing ..... 6.500            RETAINER, Steering Column ..... 6.521            RETAINER, Steering Gear Shaft ..... 6.525            RETAINER, Steering Gear Hydraulic Valve ..... 6.552            RETAINER, Steering Knuckle Lower Control Arm ..... 6.170            RETAINER, Steering Knuckle Upper Control Arm ..... 6.163            RETAINER, Steering Wheel ..... 6.515            RING, Hydraulic Steering Cylinder Piston Rod .... 6.581            RING, King Pin Oil ..... 6.225            RING KIT, Steering Pump ..... 6.610            RING, Steering Pump ..... 6.609            RING, Steering Pump Drive Shaft Outer Bearing Retainer ..... 6.616            ROD, Steering Column ..... 6.514            ROD, Steering Column Housing ..... 6.500            ROD, Steering Relay ..... 6.870            ROD, Tie Rod ..... 6.233</p> <p style="text-align: center;"><b>S</b></p> <p>SCREW, Steering Column ..... 6.514            SCREW, Steering Column Housing ..... 6.500            SCREW, Steering Column Attaching ..... 6.760            SCREW, Steering Column ..... 6.518            SCREW, Steering Gear Ball Return Guide ..... 6.843            SCREW, Steering Gear Shaft ..... 6.525            SEAL &amp; CLAMP KIT, Steering Gear Hydraulic Valve ..... 6.551            SEAL, Front Wheel Hub Bearing ..... 6.326            SEAL, Hydraulic Steering Cylinder Piston Rod .... 6.581            SEAL KIT, Steering Pump ..... 6.609            SEAL, Steering Column ..... 6.758            SEAL, Steering Column ..... 6.519            SEAL, Steering Connecting Rod ..... 6.886            SEAL, Steering Gear Hydraulic Valve ..... 6.552            SEAL, Steering Gear Oil Hose ..... 6.674            SEAL, Steering Gear Oil Pressure Hose ..... 6.673            SEAL, Steering Gear Pitman Shaft ..... 6.855            SEAL, Steering Gear Repair ..... 6.507            SEAL, Steering Gear Shaft ..... 6.525            SEAL, Steering Idler ..... 6.898            SEAL, Steering Knuckle Upper and Lower Control Arm ..... 6.166            SEAL, Steering Pump ..... 6.635            SEAL, Steering Pump ..... 6.609            SEAL, Steering Pump Drive Shaft ..... 6.617            SEAL, Steering Tie Rod ..... 6.242            SEAT, Hydraulic Steering Adapter ..... 6.560            SEAT, Hydraulic Steering Cylinder Piston Rod .... 6.581            SEAT, Steering Column ..... 6.521            SEAT, Steering Connecting Rod ..... 6.874            SEAT, Steering Gear Oil Pressure Hose ..... 6.673            SHAFT, Steering Column ..... 6.524            SHAFT, Steering Knuckle Lower Control Arm .... 6.169            SHAFT, Steering Pump ..... 6.614            SHAFT, Upper Control Arm Shaft ..... 6.164            SHIELD, Steering Column ..... 6.514            SHIM, King Pin Thrust Bearing ..... 6.214            SHIM KIT, Steering Gear Lash Adjuster ..... 6.828            SHIM, Steering Knuckle Upper Control Arm ..... 6.178            SHOE, Steering Column ..... 6.514            SHROUD, Steering Column ..... 6.518            SLEEVE KIT, Steering Tie Rod Adjuster ..... 6.232            SOCKET, Tie Rod ..... 6.233            SPACER, Hydraulic Steering Valve ..... 6.554            SPACER, Hydraulic Steering Cylinder Piston Rod ..... 6.581            SPACER, Steering Column ..... 6.514            SPACER, Steering Idler Lever ..... 6.897            SPACER, Steering Knuckle Control Arm ..... 6.176            SPACER, Steering Pump Mounting ..... 6.606            SPHERE KIT, Steering Column ..... 6.514            SPHERE, Steering Column ..... 6.514            SPRING, Hydraulic Steering Cylinder Piston Rod. 6.581            SPRING, Hydraulic Steering Adapter ..... 6.560            SPRING, Steering Column ..... 6.521            SPRING, Steering Column Housing ..... 6.500</p>
--	---

## ALPHABETICAL INDEX

SPRING, Steering Column .....	6.514
SPRING, Steering Connecting Rod .....	6.876
SPRING, Steering Gear Hydraulic Valve .....	6.552
SPRING, Steering Gear Shaft .....	6.525
SPRING, Steering Pump .....	6.612
STUD, Hydraulic Steering Cylinder Piston Rod ...	6.581
STUD, Steering Connecting Rod .....	6.874
STUD, Steering Pump Mounting .....	6.606
SUPPORT, Steering Column .....	6.518
SUPPORT, Steering Column Attaching .....	6.760

### T

TUBE, Steering Column .....	6.518
-----------------------------	-------

### U

UNIT, Steering Gear Repair .....	6.507
----------------------------------	-------

### V

VALVE, Steering Gear Hydraulic .....	6.550
VALVE, Steering Pump Control .....	6.624

### W

WASHER, Hydraulic Steering Cylinder Piston Rod .....	6.581
WASHER, Hydraulic Steering Valve .....	6.554
WASHER, Steering Column .....	6.521
WASHER, Steering Column Attaching .....	6.760
WASHER, Steering Column Housing .....	6.500
WASHER, Steering Gear Shaft .....	6.525
WASHER, Steering Gear Hydraulic Valve .....	6.552
WASHER, Steering Idler Lever .....	6.897
WASHER, Steering Knuckle Upper Control Arm .	6.178
WASHER, Steering Knuckle Spindle .....	6.321
WASHER, Steering Knuckle Lower Control Arm	6.172
WASHER, Steering Pitman Arm .....	6.861
WASHER, Steering Pump .....	6.655
WASHER, Steering Pump Mounting .....	6.606
WEDGE, Steering Column .....	6.514
WHEEL, Steering .....	6.513
WORM, Steering Column .....	6.524

### Y

YOKE, Steering Column .....	6.524
-----------------------------	-------



## FRONT SUSPENSION STEERING

<b>6.020</b>		<b>KNUCKLE , Steering</b>			
53-82	Y	3737594	2	152.00	KNUCKLE (FORGED 3693446) (DAUB OF YELLOW PAINT)
63-84	Y	3828580	2	88.75	KNUCKLE (FORGED 3828580)
69-82	Y	3953416	2	88.00	KNUCKLE
<b>6.021</b>		<b>BUSHING , Steering Knuckle King Pin</b>			
53-82	Y	602124	4	2.35	BUSHING (1 5/16 X 1 3/16)
<b>6.022</b>		<b>NUT , Steering Knuckle Spindle</b>			
69-82	Y W/FRT DISC BRK	3953436	2	1.15	NUT (27/32-20 THD.)
<b>6.103</b>		<b>ARM KIT, Steering Knuckle</b>			
<i>NOTE 1: CONSISTS OF 1 ARM AND 1 RIVET.</i>					
68-82	Y	3955523	LH	36.25	ARM KIT.
68-82	Y	3955524	RP	36.25	ARM KIT.
<b>6.104</b>		<b>BOLT-NUT , Steering Relay &amp; Tie Rod</b>			
53-82	Y	3777827	AR	.75	BOLT, HEX(3/8-24 X 1 1/2 300M)
60-75	Y (EXC H.D. BRK)	1385922	AR	1.75	BOLT, KNU ARM SHORT(5.002)
63-69	Y	3815933	2	1.50	BOLT, SHOCK ABS RELAY ROD BRKT. UPR AND LWR (7/16-20 X 2 1/4) (0.662)
68-76	Y W/H.D. BRK	3916286	AR	.66	BOLT (1/2-20 X 2 29/32)(SHORT)
69-75	Y W/H.D. BRK	3948881	2	2.45	BOLT (LONG)
76-81	Y	3841724	AR	.92	BOLT (3/8-16 X 3 11/16)(300M)
65-82	Y	9418760	AR	.40	NUT (7/16-20)
<b>6.163</b>		<b>RETAINER, Steering Knuckle Upper Control Arm</b>			
63-81	Y	9785742	AR	.62	RETAINER, BSHG(3/8 I.D.)
<b>6.164</b>		<b>BALL JOINT KIT-BUSHING-NUT -SHAFT, Upper Control Arm Shaft</b>			
<i>NOTE: ON LATE PRODUCTION ASSYS. WITH UNTAPPED LUBRICATION FITTING HOLES, IT IS NECESSARY TO USE SELF TAPPING LUBE FITTINGS OR TAP NEW THREADS FOR STANDARD TYPE LUB FITTINGS.</i>					
<i>NOTE 1: CONSISTS OF 1 SHAFT, 2 BUSHINGS, 2 RETAINERS, 2 WASHERS AND 2 BOLTS.</i>					
63-81	Y	9762018	2	39.50	BALL JOINT KIT.
63-82	Y	401267	4	2.85	BUSHING.
77-81	Y	3983037	2	.40	NUT (HEX SLOTTED (9/16-18)
82	Y	3983036	2	.36	NUT, STRG KNU UPR CONT ARM BALL STUD
63-82	Y	3845244	2	27.25	SHAFT, (NOTE 1)
<b>6.166</b>		<b>SEAL, Steering Knuckle Upper and Lower Control Arm</b>			
53-62	Y	599199	4	.40	SEAL, LWR PIVOT BOLT BSHG
<b>6.168</b>		<b>ARM, Steering Knuckle Upper &amp; Lower Control</b>			
<i>NOTE 1: INCLUDES BALL STUD ASM.</i>					
53-82	Y	3693470	RH	275.00	ARM, LWR(THREADED TYPE)
63-82	Y	476083	LH	126.00	ARM, LWR
63-82	Y	476084	RH	126.00	ARM, LWR
63-82	Y	3832349	LH	81.75	ARM, UPR (NOTE 1)
63-82	Y	3832350	RH	81.75	ARM, UPR (NOTE 1)
<b>6.169</b>		<b>SHAFT , Steering Knuckle Lower Control Arm</b>			
<i>NOTE 1: CONSISTS OF 1 SHAFT, 2 BSHGS. AND 2 SEALS.</i>					
<i>NOTE 2: CONSISTS OF 1 SHAFT, 2 BUSHINGS, 2 RETAINERS, 2 BOLTS, 2 WASHERS.</i>					
53-62	Y	3737597	2	108.00	SHAFT (FORGED 3691468) (DAUB OF YELLOW PAINT) (NOTE 1)
63-82	Y	3749296	2	38.75	SHAFT (FORGED 3738505) (NOTE 2)
<b>6.170</b>		<b>BUSHING -RETAINER, Steering Knuckle Lower Control Arm</b>			
63-82	Y	3714366	4	2.50	BUSHING (1 13/16 O.D. X 2 3/32 O.L.)
63-82	Y	3714369	4	.51	RETAINER, LWR ARM BSHG (7/16 I.D. X 1 13/16 O.D.)
<b>6.172</b>		<b>BOLT -NUT -WASHER , Steering Knuckle Lower Control Arm</b>			
53-82	Y	3707480	AR	.97	BOLT (7/16-20 X 1 1/2)(300-M STEEL)
63-74	Y	3779097	2	2.55	BOLT (9/16-18 X 2 5/16)(300-M STEEL)
67-68	Y	3707480	AR	.97	BOLT (7/16-20 X 1 1/2)(300-M STEEL)
63-69	Y	225854	AR	.35	NUT (3/8-24)(0.626)
63-82	Y	3742249	2	3.50	NUT (7/16-20)(2 HOLES,2 1/2 LONG)
63-82	Y	3779096	2	.38	WASHER (37/64)

## FRONT SUSPENSION STEERING

<b>6.174 BALL JOINT, Front Wheel Lower Control Arm</b>				
<i>NOTE: ON LATE PRODUCTION ASM. WITH UNTAPPED LUBRICATION FITTING HOLES. IT IS NECESSARY TO USE SELF TAPPING LUB. FITTINGS OR TAP NEW THREADS FOR STANDARD TYPE LUBE FITTINGS.</i>				
63-82	Y	9782019	2	N.L. BALL JOINT, LWR CONT ARM
<b>6.176 BUMPER-SPACER, Steering Knuckle Control Arm</b>				
53-62	Y	459023	2	2.50 BUMPER, LWR (ATTACHES TO LWR SPR SEAT)
63-76	Y	384220	2	2.20 BUMPER, UPR
63-82	Y	3742252	2	1.30 BUMPER, LWR
76-82	Y	3742247	2	1.10 BUMPER, UPR
76-82	Y	367916	2	1.05 SPACER, LWR
<b>6.178 BOLT-SHIM-WASHER, Steering Knuckle Upper Control Arm</b>				
68-79	Y	381909	4	.75 BOLT (7/16-13 X 2 1/4) (300-M STEEL)
83-77	Y	6270717	AR	.35 SHIM (.030)
82	Y	14047733	6	.38 WASHER, FRT UPR CONT ARM
<b>6.181 BOLT, Steering Idler and Third Arm Shaft</b>				
57-62	Y W/H.D. BRAKE/SUSP.	2086840	1	.96 BOLT, PLT (3/8-24) (5 586)
<b>6.203 PIN-PIN KIT, King</b>				
<i>NOTE 1: KIT INCLUDES 2 KING PINS, 2 LOCK PINS, 4 KNUCKLE BUSHINGS, 4 KNUCKLE PLUGS, 2 THRUST BEARINGS, 4 THRUST BEARING SHIMS (ALSO PLUG COVERS AND LOCK RINGS WHERE USED).</i>				
53-62	Y	599207	2	5.45 PIN (5 5/16 O.L.)
53-62	Y	603386	1	32.25 PIN KIT, (NOTE 1)
<b>6.210 BEARING, King Pin Thrust</b>				
53-62	Y	373476	2	1.70 BEARING.
<b>6.214 SHIM, King Pin Thrust Bearing</b>				
53-62	Y	373481	AR	.36 SHIM (.005)
<b>6.223 PLUG, Steering King Pin Dust</b>				
53-62	Y	599208	4	.33 PLUG.
<b>6.225 COVER-RING, King Pin Oil</b>				
53-62	Y	599210	2	.40 COVER, BRG PLUG
53-62	Y	599209	4	.35 RING, LK
<b>6.232 SLEEVE KIT, Steering Tie Rod Adjuster</b>				
63-82	Y	3826816	2	8.30 SLEEVE KIT (10 19/32 O.L.) (5/8-18 X 1 15/16)
<b>6.233 ROD-SOCKET, Tie Rod</b>				
<i>NOTE: SOME END HAVE UNTAPPED LUBRICATION FITTING HOLES, ON THESE IT IS NECESSARY TO USE A SELF TAPPING LUB. FITTINGS OR TAP NEW THREADS FOR STANDARD TYPE LUB. FITTINGS.</i>				
63-82	Y	3826814	2	19.35 ROD, OTR (3 13/16 O.L.) (FORGED 3826815)
53-62	Y	461902	RH	22.80 SOCKET (DAUB OF YELLOW PAINT) (FORGED 3691956)
53-62	Y	461903	LH	19.35 SOCKET (4 1/2 LONG) (9/16-18 L.H. THD.) (FORGED 3691955)
63-82	Y	3826596	2	19.30 SOCKET, INR (3 15/16 O.L.) (FORGED 3826597) (6.230)
<b>6.234 CLAMP, Steering Tie Rod</b>				
63-66	Y	3954397	2	1.30 CLAMP.
70-77	Y	3954397	4	1.30 CLAMP.
<b>6.242 SEAL, Steering Tie Rod</b>				
53-64	Y	3687643	AR	.42 SEAL (1 1/2 O.D.)
65-82	Y	3826598	4	.40 SEAL (1/2 I.D. X 1 35/64 O.D.)
<b>6.307 HUB, Front Wheel</b>				
63-64	Y	3812712	2	31.75 HUB, W/BOLTS (5 HOLES 6 O.D.)
65-68	Y	3998278	2	179.00 HUB, W/DISC (5.809)
69-81	Y	3991024	2	180.00 HUB, W/DISC (5.809)
<b>6.311 BEARING, Front Wheel Inner</b>				
<i>NOTE 1: CONSISTS OF CONE, CUP AND SEPARATOR.</i>				
53-62	Y	909052	2	36.15 BEARING, (NOTE 1)
63-68	Y	7450630	2	N.L. BEARING (HY-LM-67048-LM-67010)
69-82	Y	7450700	2	N.L. BEARING (HY-LM-48548-LM-48510)

## FRONT SUSPENSION STEERING

### 6.313 BEARING, Front Wheel Outer

NOTE 1: CONSISTS OF CONE, CUP, AND SEPARATOR.

53-82	Y	909067	2	19.90	BEARING, (NOTE 1)
63-68	Y	7450827	2	10.40	BEARING (HY-LM-11949-11910)
69-82	Y	7450897	2	N.L.	BEARING (HY-M-12649-M-12610)

### 6.321 WASHER, Steering Knuckle Spindle

63-68	Y	457707	2	.44	WASHER,
69-82	Y	379857	2	.66	WASHER (INR CONE SEAT 1 13/32 O.D.)

### 6.326 FELT-SEAL, Front Wheel Hub Bearing

53-82	Y	3858536	2	3.80	FELT, W/RET, INR (STAMPED 41)
63-68	Y	3876192	2	4.25	SEAL, INR
69-82	Y	3953412	2	3.75	SEAL, INR

### 6.330 CAP-RETAINER, Front Wheel Hub Grease

63-68	Y	539153	2	1.40	CAP, FRT GREASE (1 1/4 X 2 1/2)
53-82	Y	471162	2	2.10	RETAINER, FRT WHL BRG GREASE

### 6.500 BOLT-COVER-LEVER-LOCK-LOCK KIT-PAD-PLATE-RETAINER-ROD-SCREW-SPRING-WASHER, Steering Column Housing

69-78	Y (EXC T&T WHL)	7808185	1	4.15	BOLT, W/SPRING
69-78	Y W/T.W., TEL WHL	7808614	1	2.90	BOLT, SHAFT LK
77-82	Y W/T&T WHL	7808613	1	2.85	BOLT, STRG COL SHAFT LK
76-77	Y	7819738	1	3.60	COVER, STRG SHF LK PLT
78	Y (EXC T&T WHL)	7819738	1	3.60	COVER, STRG SHF LK PLT
78-79	Y (EXC T&T WHL)	7819515	1	2.95	LEVER, IGN KEY RELEASE
78-82	Y W/T&T WHL	7815898	1	7.85	LEVER, IGN KEY RELEASE
69-78	Y (EXC T&T WHL)	7819510	1	7.20	LOCK, SHAFT
78	Y W/TILT WHL	7825887	1	8.95	LOCK, SHAFT
69-79	Y	7826016	1	8.75	LOCK KIT, SHAFT
69-70	Y (EXC. T.W., TEL. WHL.)	7827235	1	2.00	PAD, REL LVR FINGER
77-82	Y	7827235	1	2.00	PAD, REL LVR FINGER
69-82	Y W/T&T WHL	7811995	1	5.20	PLATE, SHAFT LK
71-78	Y W/T.W., TEL. WHL.	580074	1	.33	RETAINER, UPR SHAFT
78-80	Y (EXC. T&T WHL.)	580074	2	.33	RETAINER, UPR SHAFT
78-82	Y W/T&T WHL	7819976	1	2.65	RETAINER, SHAFT LK
69-78	Y (EXC. T.W., TEL. WHL.)	7806118	1	8.80	ROD, W/RACK IGN SW ACTR (2.195)
69-71	Y W/T.W., TEL. WHL.	7807282	1	12.30	ROD, W/RACK, IGN SW ACTR (2.195)
69	Y W/T.W., TEL. WHL.	7803623	1	1.15	SCREW, SHAFT LK BOLT SPRING
77-82	Y W/T&T WHL	7803623	1	1.15	SCREW, SHAFT LK BOLT SPRING
69-75	Y (EXC. T.W., TEL. WHL.)	7804771	1	.83	SPRING, SHAFT UPR
69-82	Y W/T&T WHL	7805827	1	4.05	SPRING, STRG SHAFT
77-78	Y (EXC. T&T WHL.)	7810518	1	1.20	SPRING, KEY REL
69-78	Y (EXC. T/WHL., T&T WHL.)	7805950	1	1.00	WASHER, SPRING THRUST

### 6.507 KIT-SEAL-UNIT, Steering Gear Repair

NOTE 1: CONSISTS OF 1 EACH SEAL, RING AND ELEMENT.

NOTE 2: CONSISTS OF 2 SEALS, 1 O RING AND 1 NUT.

63-79	Y	5686382	1	6.10	KIT, CYL. PSTN ROD SEAL (NOTE 1)
63-75	Y	5691207	1	5.35	KIT, BALL STUD
70-74	Y	5687999	1	89.25	KIT, STRG COL:IT VLV
70-74	Y	5688501	1	103.00	KIT, VLV CONT
63-82	Y W/P.S.	5687997	1	5.15	SEAL, WA UNIT-HYD STRG CONT VLV
74-82	Y W/P.S.	7817308	1	105.00	UNIT, HYD STRG VLV

### 6.508 GEAR, Steering

NOTE: ASSEMBLIES DO NOT INCLUDE MAST JACKET, EXCEPT WHERE SHOWN.

70-82	Y	7819668	1	187.00	GEAR,
-------	---	---------	---	--------	-------

### 6.509 BOLT, Steering Gear Mounting

63-82	Y	3820342	AR	.59	BOLT (3/8-24 X 4 1/2) (ROUND HD. SQ. NECK)
70	Y	399803	2	.88	BOLT (HEX. 7/16-14 X 4 7/16)
70-71	Y	5467056	1	1.24	BOLT (1/2-20 X 2) (5.056)
73-81	Y	399803	AR	.88	BOLT (HEX. 7/16-14 X 4 7/16)

### 6.512 EXTENSION-HUB, Steering Wheel

69-75	Y W/T&T WHL	3949109	1	10.35	EXTENSION,
77-82	Y W/T&T WHL	458910	1	9.85	EXTENSION,
68	Y (EXC T&T WHL)	3923696	1	38.25	HUB,
69-75	Y (EXC T&T WHL)	3937898	1	29.25	HUB,
69-79	Y W/T&T WHL	3949110	1	29.25	HUB,
80-82	Y	3949110	1	29.25	HUB,

**FRONT SUSPENSION STEERING**

**6.513 WHEEL, Steering**

NOTE: FOR HORN RING SEE GROUP 2.819, FOR HORN CAP SEE GROUP 2.820.

69-75	Y	333690	1	134.00	WHEEL, PLASTIC (BLACK) (15" DIA)
76-77	Y (EXC T&T WHL)	366147	1	121.00	WHEEL (DK FIRETHORN)
76-78	Y (EXC T&T WHL)	367966	1	135.00	WHEEL (DK BROWN)
76-79	Y (EXC T&T WHL)	458998	1	120.00	WHEEL (BLACK)
76	Y (EXC. T&T WHL)	340376	1	121.00	WHEEL (DK SADDLE)
76	Y W/T&T WHL	367971	1	135.00	WHEEL (DK BROWN)
76	Y W/T&T WHL	3994424	1	146.00	WHEEL (BLACK)
77-79	Y (EXC T&T WHL)	378266	1	127.00	WHEEL (MED RED)
77	Y (EXC T&T WHL)	378257	1	127.00	WHEEL (DK BLUE)
77	Y (EXC T&T WHL)	14025089	1	121.00	WHEEL (BUCKSKIN)
77-79	Y W/T&T WHL	9780221	1	250.00	WHEEL (BLACK)
77	Y W/T&T WHL	9780222	1	250.00	WHEEL (SMOKE GRAY)
77	Y W/T&T WHL	9780223	1	250.00	WHEEL (BUCKSKIN)
77-79	Y W/T&T WHL	9780224	1	250.00	WHEEL (DK BROWN)
77-79	Y W/T&T WHL	9780225	1	250.00	WHEEL (MED RED)
77	Y W/T&T WHL	9780226	1	250.00	WHEEL (DK BLUE)
78	Y (EXC T&T WHL)	459095	1	121.00	WHEEL (MID BLUE)
78	Y (EXC T&T WHL)	459096	1	121.00	WHEEL (OYSTER WHITE)
78	Y (EXC T&T WHL)	459097	1	121.00	WHEEL (DOESKIN)
78	Y (EXC T&T WHL)	459098	1	121.00	WHEEL (SAFFRON)
78-80	Y W/T&T WHL	9781619	1	247.00	WHEEL (MID BLUE)
78-80	Y W/T&T WHL	9781620	1	247.00	WHEEL (OYSTER WHITE)
78-80	Y W/T&T WHL	9781621	1	247.00	WHEEL (DOESKIN)
78	Y W/T&T WHL	9781623	1	247.00	WHEEL (SAFFRON)
78	Y W/T&T WHL	9782625	1	247.00	WHEEL (SILVER MET)
79	Y (EXC T&T WHL)	475317	1	121.00	WHEEL (DK GREEN)
79-80	Y W/T&T WHL	9783010	1	247.00	WHEEL (DK GREEN)
80	Y	9784178	1	247.00	WHEEL (DK CLARET)
80-81	Y	9784512	1	247.00	WHEEL (BLACK)
80	Y	9784513	1	247.00	WHEEL (MED RED)
80-81	Y	9784514	1	247.00	WHEEL (DK BLUE)
80	Y	9784515	1	247.00	WHEEL (OYSTER WHITE)
80	Y	9784516	1	247.00	WHEEL (DOESKIN)
81	Y	9785294	1	247.00	WHEEL (SILVER MET-151)
81-82	Y	9785296	1	247.00	WHEEL (MED DOESKIN-841)
81	Y	9785297	1	247.00	WHEEL (MED RED-751)
81	Y	9785298	1	247.00	WHEEL (MED CINNABAR-671)
82	Y	9786672	1	247.00	WHEEL (SLATE-131)
82	Y	9786673	1	247.00	WHEEL (CHARCOAL-181)
82	Y	9787188	1	247.00	WHEEL (SILVER BEIGE MET-591)
82	Y	9787189	1	247.00	WHEEL (SILVER GREEN MET-401)
82	Y	9787190	1	247.00	WHEEL (DK BLUE-221)
82	Y (87)	9786675	1	247.00	WHEEL (DK RED-741)

**6.514 BUMPER-GUIDE-HOUSING KIT-LEVER-PIN-PLATE-RETAINER-ROD-SCREW-SHIELD-SHOE-SPACER-SPHERE-SPHERE KIT-SPRING-WEDGE, Steering Column**

73-82	Y W/T&T WHL	7813235	1	2.30	BUMPER, RETRACTED STRG SHF
74	Y W/T.W., TEL WHL	5698416	1	1.10	BUMPER, DOWN
69-82	Y W/T&T WHL	7800176	1	2.30	GUIDE, TILT SPRING
69-74	Y W/T.W., TEL WHL	7819854	1	153.00	HOUSING KIT, STRG COL STRG SHAFT BRG
77-82	Y W/T&T WHL	7827195	1	141.00	HOUSING KIT, STRG C/JL
63	Y	473083	1	3.25	LEVER, W/KNOB, TILT WHL CONT
68-82	Y W/T.W., TEL WHL	459083	1	12.75	LEVER, COL LK
69-71	Y W/T.W., TEL WHL	3832567	1	2.95	LEVER, WHL REL
69	Y W/T.W., TEL WHL	7800154	1	13.00	LEVER, SHOE, REL
71-76	Y W/T.W., TEL WHL	7805291	1	13.20	LEVER, SHOE REL
72-77	Y W/T.W., TEL WHL	14042496	1	3.50	LEVER, TILT WHL CONT
77-82	Y W/T&T WHL	7827889	1	7.60	LEVER, SHOE REL
78	Y W/T.W.	14042496	1	3.50	LEVER, TILT WHL REL(BLACK)
79-82	Y	473083	1	3.25	LEVER, W/KNOB, TILT WHL CONT
69-82	Y W/T&T WHL	5698406	1	.78	PIN, SHOE REL LVR
69-82	Y W/T&T WHL	7810363	2	3.00	PIN, STRG COL PIVOT(TILT PIN)
70	Y W/T.W., TEL WHL	5698688	2	1.75	PIN, SHOE REL
71-82	Y W/T&T WHL	7806567	1	.78	PIN, COL TILT LK SHOE RET
70-82	Y W/T&T WHL	7804915	1	4.55	PLATE, COL SUPT LOCK
69-82	Y W/T&T WHL	7800177	1	1.15	RETAINER, SPRING
69-74	Y W/T.W., TEL WHL	5693417	1	5.80	ROD, SHAFT LK
77-82	Y W/T&T WHL	7827158	1	3.80	ROD, TELE LOCKING
69-76	Y W/T.W., TEL WHL	3949135	1	6.15	SCREW, SHAFT LK KNOB
69-82	Y W/T&T WHL	7807274	4	.78	SCREW, COL SUPT
77-82	Y	3949135	1	6.15	SCREW, SHAFT LK KNOB
70-76	Y W/T.W., TEL WHL	7805608	1	1.45	SHIELD, TILT LVR OPG

**FRONT SUSPENSION STEERING**

<b>6.514</b>		<b>BUMPER-GUIDE-HOUSING KIT-LEVER-PIN-PLATE-RETAINER-ROD-SCREW-SHIELD-SHOE-SPACER-SPHERE-SPHERE KIT-SPRING-WEDGE, Steering Column (Con't)</b>		
77-82	Y W/T&T WHL	7839888	1	4.05 SHIELD, TILT LVR OPG
69-82	Y W/T&T WHL	7804925	1	10.40 SHOE, LK (3 POSITION, NO NOTCH)
69-82	Y W/T&T WHL	7813088	1	10.40 SHOE, LK (3 POSITION W/NOTCH AT TOP)
67-74	Y W/T.W., TEL WHL	3952781	1	2.95 SPACER, COL LK
75-82	Y W/T&T WHL	348325	1	2.85 SPACER, COL LK
77	Y W/T&T WHL	7829002	1	2.85 SPACER, RETRACTED SHAFT BPR
81-82	Y W/T&T WHL	7829002	1	2.85 SPACER, RETRACTED SHAFT BPR
69-76	Y W/T.W., TEL WHL	7808505	2	9.20 SPHERE, COL SHAFT CTR
77-82	Y W/T&T WHL	7805258	1	2.00 SPHERE, COL SHAFT CTR
78-82	Y W/T&T WHL	7844850	1	SPHERE KIT, STRG COL TILT UPR
78-82	Y W/T&T WHL	7844852	1	SPHERE KIT, STRG COL SHAFT CTR
69-82	Y W/T&T WHL	5698410	1	1.65 SPRING, SPOE REL
69-82	Y W/T&T WHL	7804912	2	1.15 SPRING, LK SHOE RTN
77-82	Y W/T&T WHL	7805259	1	1.85 SPRING, COL SHAFT CTR SPHERE
77-82	Y W/T&T WHL	7812854	1	2.55 SPRING, WHL TILT
77-82	Y W/T&T WHL	7818828	1	1.25 SPRING, COL KEY REL
69-82	Y W/T&T WHL	7809977	1	4.15 WEDGE, COL LOCKING

<b>6.515</b>		<b>RETAINER, Steering Wheel</b>		
76-82	Y	419454	1	.33 RETAINER, NUT

<b>6.518</b>		<b>BOWL-CAP-COLUMN-COVER-COVER KIT-HOUSING-HOUSING KIT-JACKET-PLATE-SCREW-SHROUD-SUPPORT-TUBE, Steering Column</b>		
78	Y (EXC T&T WHL)	7828292	1	26.25 BOWL, STRG COL FLR SHIFT
78-82	Y W/T&T WHL	7827042	1	3.20 CAP, DIMR SW HSG CVR END
69-76	Y W/T.W., TEL WHL	7818860	1	503.00 COLUMN,
75-76	Y (EXC T.W., TEL W)	7818920	1	233.00 COLUMN,
78	Y W/T&T WHL	7825117	1	532.00 COLUMN,
77	Y (EXC T&T WHL)	7826885	1	291.00 COLUMN,
77	Y W/T&T WHL	7826886	1	525.00 COLUMN,
78	Y (EXC T&T WHL)	7828869	1	290.00 COLUMN,
78	Y W/T&T WHL	7831078	1	521.00 COLUMN,
79-82	Y W/T&T WHL	7833812	1	521.00 COLUMN,
67	Y	3901944	1	1.70 COVER, STRG GEAR JKT UPR
67	Y	3901945	1	1.70 COVER, STRG GEAR JKT LWR
69-77	Y	333423	1	43.75 COVER, I/P LWR STRG COL (PAINT AS REQD.)
69-76	Y W/T.W., TEL WHL	7808410	1	17.20 COVER, TRANS CONT LK TUBE SHROUD
77	Y W/T&T WHL	7827201	1	94.25 COVER, LK HSG
77-82	Y W/T&T WHL	7834218	1	73.75 COVER KIT, W/SCREW, STRG COL LK HSG
69-76	Y	7811172	1	40.00 HOUSING, STRG COL
71-76	Y (EXC T.W., TEL WHL)	7811390	1	29.25 HOUSING, STRG COL SHFT TUBE BOWL
77	Y (EXC T&T WHL)	7833599	1	68.50 HOUSING KIT, STRG COL
78	Y (EXC T&T WHL)	7841604	1	55.50 HOUSING KIT, STRG COL
79	Y (EXC T&T WHL)	7831406	1	53.25 HOUSING KIT, STRG COL
64-66	Y (EXC TEL WHL)	3866489	1	22.85 JACKET,
69-76	Y W/T&T WHL	7815690	1	123.00 JACKET,
77-82	Y W/T&T WHL	7831684	1	137.00 JACKET,
78-79	Y (EXC T&T WHL)	7831614	1	135.00 JACKET,
78-82	Y W/T&T WHL	7825817	1	5.35 PLATE, STRG COL SHRD RET
69-70	Y W/T.W., TEL WHL	9419728	3	.36 SCREW, STRG COL HSG
70-76	Y W/T.W., TEL WHL	7808408	1	41.50 SHROUD, STRG COL TRANS CONT LK TUBE
71-73	Y W/T.W., TEL WHL	7811350	1	16.85 SHROUD, STRG COL G/S HSG BOWL
77	Y W/T&T WHL	7827085	1	16.50 SHROUD, STRG COL
78-80	Y W/T&T WHL	7828403	1	21.85 SHROUD, STRG COL HSG
70-77	Y W/T.W., TEL WHL	7807635	1	36.00 SUPPORT, TURN SIG HSG
77	Y W/T&T WHL	7827200	1	40.25 SUPPORT, STRG COL
78-82	Y W/T&T WHL	7838541	1	38.25 SUPPORT, STRG COL HSG
70-75	Y W/T.W., TEL WHL	7805702	1	85.50 TUBE, STRG COL TRANS CONT LK (4.025)

<b>6.519</b>		<b>SEAL, Steering Column</b>		
53-61	Y	6264903	1	.40 SEAL (11/16 I.D. X 7/64) (4.338)
68	Y	3937189	1	.45 SEAL, STRG GEAR JACKET CVR
79-80	Y W/T&T WHL	7810306	1	4.20 SEAL, STRG SHAFT

<b>6.521</b>		<b>ADAPTER-BEARING-BUSHING-CLIP-RACE-REINFORCEMENT-RETAINER-SEAT-SPRING-WASHER, Steering Column</b>		
<i>NOTE 1: IT MAY BE NECESSARY TO CUT WIRE LENGTH AND REWORK AS NECESSARY.</i>				
69-82	Y	7805822	1	2.45 ADAPTER, STRG SHAFT LWR BRG

**FRONT SUSPENSION STEERING**

**6.521 ADAPTER-BEARING-BUSHING-CLIP-RACE-REINFORCEMENT-RETAINER-SEAT-SPRING-WASHER, Steering Column (Con't)**

53-62 Y	5660233	1	14.05	BEARING, W/CABLE, UPR (NOTE 1)
63-65 Y (EXC. TEL. WHL.)	7802845	1	5.25	BEARING, INTER SHAFT AND YOKE
64-66 Y (EXC. T.W.)	6679205	1	N.L.	BEARING, UPR
67-68 Y	7800407	1	2.85	BEARING, SHAFT LWR BRG
69-76 Y	7805365	1	2.35	BEARING, BOWL LVR
69-82 Y	7805700	1	8.55	BEARING, LWR SHIFT TUBE
69-82 Y W/T&T WHL	6696210	1	N.L.	BEARING, UPR STRG SHAFT (LWR & UPR)
76 Y	7811024	1	9.30	BEARING, W/ADAPTER LWR JKT
77-78 Y (EXC T&T WHL)	7819517	1	9.45	BEARING, COL HSG
78 Y (EXC T&T WHL)	7829069	1	2.35	BUSHING, COL BRG RET
65-67 Y W/T&T WHL	7804439	1	.91	CLIP, LWR SHAFT BRG
65-67 Y W/TEL WHL	7804439	1	.91	CLIP, UPR SHAFT BRG
67-68 Y (EXC T.W.)	7804439	1	.91	CLIP, STRG SHAFT STOP RING
68-82 Y	7804439	1	.91	CLIP, STRG COL LWR BRG ADAPTER
69 Y	7804439	1	.91	CLIP, STRG SHAFT STOP RING
69-82 Y W/T&T WHL	6693941	1	3.76	RACE, UPR SHAFT UPR BRG
69-82 Y	7804440	1	1.55	REINFORCEMENT, LWR BRG ADAP
77 Y (EXC T&T WHL)	7819519	1	2.20	RETAINER, COL HSG BRG
78-79 Y (EXC T&T WHL)	7829072	1	1.60	RETAINER, COL UPR BRG
69-82 Y W/T&T WHL	7804909	1	2.90	SEAT, UPR COL SHAFT, UPR BRG RACE
78-79 Y W/TILT WHL	7815184	1	3.00	SEAT, COL SHF UPR BRG INR RACE
53-62 Y	3741877	1	.44	SPRING, UPR (5 COILS-19/32 FREE LENGTH)
69-77 Y (EXC T.W., TEL WHL)	7804771	1	.83	SPRING, COL SHAFT UPR
69 Y W/T.W., TEL WHL	7808505	1	9.20	SPRING, CTR SPHERE
69-82 Y W/T&T WHL	6695946	1	1.75	SPRING, UPR
71-75 Y W/T.W., TEL WHL	7801309	1	3.85	SPRING, TILT WHL
77-78 Y (EXC T&T WHL)	7819898	1	3.00	SPRING, UPR BRG
78 Y W/TILT WHL	7815185	1	3.00	SPRING, COL SHF UPR BRG
67 Y (EXC. T.W.)	7800580	1	.72	WASHER, STRG SHF UPR RET RING THRUST
67-69 Y (EXC. T.W.)	7800580	1	.72	WASHER, STRG SHAFT UPR RET RING THRUST
67-79 Y (EXC. T&T WHL)	7800580	1	.72	WASHER, STRG SHAFT UPR RET RING THRUST
68-79 Y (EXC. T&T WHL)	7800580	1	.72	WASHER, STRG SHF UPR RET RING THRUST
78-79 Y (EXC T&T WHL)	7800580	1	.72	WASHER, COL SHF UPR THRUST
78-81 Y W/T&T WHL	7804906	1	1.70	WASHER, BOWL THRUST

**6.524 SHAFT -WORM-YOKE, Steering Column**

63-66 Y (EXC T&T WHL)	5690810	1	24.20	SHAFT (COMPLETE)(37 1/32)
75-76 Y (EXC T&T WHL)	7831547	1	64.75	SHAFT (COMPLETE)
75 Y W/T.W., TEL WHL	7818945	1	194.00	SHAFT (COMPLETE)(31 17/32)
76 Y W/T&T WHL	7325132	1	196.00	SHAFT (COMPLETE)(31 17/32)
76 Y W/T&T WHL	7626142	1	105.00	SHAFT, LWR
77 Y (EXC T&T WHL)	7831549	1	64.75	SHAFT (COMPLETE)
77 Y W/T&T WHL	7827129	1	62.00	SHAFT, UPR
77 Y W/T&T WHL	7827196	1	196.00	SHAFT (COMPLETE)
77-82 Y W/T&T WHL	7827197	1	105.00	SHAFT, LWR
78 Y (EXC T&T WHL)	7829834	1	66.50	SHAFT (COMPLETE)
78-82 Y W/T&T WHL	7829047	1	61.75	SHAFT, UPR
78-82 Y W/T&T WHL	7829600	1	194.00	SHAFT (COMPLETE)
63-71 Y	5677850	1	68.00	WORM, W/BALL NUT
70-82 Y	7812942	1	84.75	WORM, STRG GEAR
77-82 Y W/T&T WHL	7825339	1	78.50	YOKE, W/RACE,SHAFT

**6.525 BEARING-BOLT-BOLT KIT-CLAMP-CLAMP KIT-COUPLING-FLANGE-NUT-RETAINER-SCREW-SEAL-SPRING-WASHER, Steering Gear Shaft**

70 Y	5671921	2	1.50	BEARING, U JT COUPLING
53-79 Y	3991997	AR	1.10	BOLT, HEX (7/16-20 X 2-300M)
65-82 Y	7807271	1	2.30	BOLT (3/8-24 X 1 7/32)
67-68 Y	7808747	1	5.10	BOLT KIT,
53-66 Y	599234	AR	1.10	CLAMP, STRG SHAFT LWR BRG SPRING CLAMP (3/4 I.D. X 3/4 WIDE) (6.525)
71-73 Y W/T.W., TEL WHL	7804801	1	7.60	CLAMP KIT, W/BOLT
63-66 Y (EXC TEL WHL)	5690809	1	68.50	COUPLING, W/FLANGE
63-66 Y (EXC TEL WHL)	5691327	1	34.75	COUPLING, W/FLANGE, LWR
67-69 Y (EXC P.S.)	7806391	1	25.50	COUPLING, W/FLANGE
69-77 Y	7818568	1	31.50	COUPLING, W/FLANGE, LWR
78-81 Y	7818568	1	31.50	COUPLING, W/FLANGE
67-82 Y	7807052	1	20.15	FLANGE, GEAR, UPR
78-81 Y	7818568	1	31.50	FLANGE, W/CPLG, GEAR

**FRONT SUSPENSION STEERING**

<b>6.525</b>		<b>BEARING-BOLT-BOLT KIT-CLAMP-CLAMP KIT-COUPLING-FLANGE-NUT-RETAINER-SCREW-SEAL-SPRING-WASHER, Steering Gear Shaft (Con't)</b>			
78	Y	7826012	1	2.00	NUT, COUPLING SHIELD RET .....
70	Y W/T.W.	7803432	2	.86	RETAINER, INTER STRG SHFT COUPLI G SEAL .....
71-79	Y W/T&T WHL	7803623	1	1.15	SCREW, SHFT LK BOLT SPRING (6.500) .....
70-82	Y	5674114	1	1.85	SEAL, GEAR WORM SHAFT .....
74-79	Y (350) (M20, M21) H/PER	5696537	2	2.35	SEAL, TRANS SHFT LVR SHF OIL .....
79	Y (M20) (EXC SP H/PER) (2ND DES)	5696537	1	2.35	SEAL, TRANS SHFT LVR SHF OIL .....
80-81	Y (M18)	5696537	1	2.35	SEAL, TRANS SHFT LVR SHF OIL .....
70-71	Y	5675186	1	.57	SPRING, UPR, COUPLING .....
67-76	Y (EXC T.W. WHL)	7800580	1	.72	WASHER, UPR RET RING THRUST (6.521) .....
<b>6.550</b>		<b>ADAPTER-VALVE, Steering Gear Hydraulic</b>			
64-82	Y W/P.S.	7825644	1	85.25	ADAPTER, .....
63-73	Y	7825636	1	N.L.	VALVE, W/ADAP .....
74-82	Y	7825636	1	N.L.	VA'VE, W/ADAP .....
<b>6.551</b>		<b>ADAPTER &amp; SLEEVE KIT-ADAPTER KIT-REPAIR KIT-SEAL &amp; CLAMP KIT, Steering Gear Hydraulic Valve</b>			
NOTE 1: CONSISTS OF VALVE SHAFT AND BALL SEAT SPRING.					
NOTE 2: CONSISTS OF 2 SEATS, 1 EACH, SEAL, SPRING, STUD, LOCK NUT, SPACER AND SCREW OR BOLT.					
NOTE 3: CONSISTS OF 1 EACH, ADAPTER AND PLUG ASM., RELAY ROD, CLAMP, LOCK NUT, SEAL, SPACER SCREW AND BOLT.					
63-82	Y W/P.S.	5691161	1	32.25	ADAPTER & SLEEVE KIT, HYD STRG (NOTE 3) .....
63-82	Y W/P.S.	5691150	1	15.15	ADAPTER KIT, HYD STRG ADAP (NOTE 2) .....
63-82	Y W/P.S.	5687998	1	5.45	REPAIR KIT, HYD STRG ADAP VLV SHF & SPR (NOTE 1) .....
63-82	Y W/P.S.	5691690	1	18.60	SEAL & CLAMP KIT, W/BALL STUD, HYD STRG .....
<b>6.552</b>		<b>RETAINER-SEAL-SPRING-WASHER, Steering Gear Hydraulic Valve</b>			
63-74	Y	5687006	1	.75	RETAINER, SPRING .....
63	Y	5691199	1	1.15	SEAL, END PLUG, VLV HSG (6.581) .....
65-74	Y	5681740	1	.84	SEAL, O RING, VLV REACTION SPOOL (27/64 I.D.) (6.674) .....
63-74	Y	5687990	1	.54	SPRING, ADJ (6 COILS-25/32 FREE LENGTH) .....
63-74	Y	5687991	1	.54	WASHER, SPRING THRUST (7/8 O.D.) .....
<b>6.554</b>		<b>COVER-COVER KIT-GASKET-SPACER-WASHER, Hydraulic Steering Valve</b>			
74-82	Y W/P.S.	7816810	1	1.20	COVER, HYD STRG ADAP DUST .....
64-73	Y	5687996	1	1.45	COVER KIT, W/LK NUT, DUST .....
63-82	Y W/P.S.	5691581	1	.73	GASKET, HYD STRG VLV & ADAP ANNULUS SPCR .....
63-82	Y W/P.S.	5685469	1	.67	SPACER, HYD STRG CONT VLV & ADAP ANNULUS .....
63-82	Y W/P.S.	5667011	1	.54	WASHER, HYD STRG CONT VLV & ADAP SHF .....
<b>6.560</b>		<b>KEY-PLUG-SEAT-SPRING, Hydraulic Steering Adapter</b>			
63-82	Y W/P.S.	5686218	1	.46	KEY, HYD STRG CONT VLV & ADAP .....
63-82	Y W/P.S.	5691747	1	5.15	PLUG, HYD STRG ADAP BALL STUD ADJ .....
63-73	Y	264946	2	1.60	SEAT, BALL (1" O.D.) (6.874) .....
63-82	Y W/P.S.	5687733	1	.44	SPRING, HYD STRG ADAP BALL STUD ST .....
<b>6.575</b>		<b>BRACKET-NUT-REINFORCEMENT, Hydraulic Steering Cylinder</b>			
63-82	Y	3832131	1	7.65	BRACKET, FRAME .....
63-82	Y	3829413	1	.44	NUT, FRAME BRKT (3/8-24) .....
63-82	Y	14011278	1	2.45	REINFORCEMENT, FRAME BRKT .....
<b>6.576</b>		<b>CYLINDER, Steering Gear Hydraulic</b>			
63-82	Y	5691112	1	94.75	CYLINDER (23 5/64 O.L.) .....
<b>6.581</b>		<b>GROMMET-PLUG-RING-SEAL-SEAT-SPACER-SPRING-STUD-WASHER, Hydraulic Steering Cylinder Piston Rod</b>			
63-79	Y	3709452	2	.35	GROMMET, HYD STRG CYL TO HYD STRG CYL FRM BRKT (1/2 I.D. X 1 3/8 O.D.) .....
74-82	Y	3709452	2	.35	GROMMET, CYL TO FRAME BRKT .....
63-75	Y	5691207	1	5.35	PLUG, BALL STUD END (1 3/16 O.D.) .....
63-75	Y	5691200	1	.45	RING, BALL STUD PLUG RET .....

**FRONT SUSPENSION STEERING**

<b>6.581</b>		<b>GROMMET-PLUG-RING-SEAL-SEAT-SPACER-SPRING-STUD-WASHER, Hydraulic Steering Cylinder Piston Rod</b>		<b>(Con't)</b>	
63-84	Y	3687643	1	.42	SEAL, BALL STUD (6.242)
63-82	Y W/P.S.	5691199	AR	1.15	SEAL, HYD STRG CYL END PLUG SEAL
76-81	Y	5691199	1	1.15	SEAL, END PLUG SEAL
63-75	Y	264936	1	1.15	SEAT, BALL STUD
63-75	Y	264937	1	.40	SEAT, BALL STUD SPRING
63-82	Y	3709917	1	.35	SPACER, CYL. TO FRAME BRKT.
63-75	Y	5684403	1	.36	SPRING, BALL STUD SEAT
63-75	Y	5685382	1	3.60	STUD, MT BALL
63-82	Y	3938729	2	1.75	WASHER, CYL TO CYL TIE ROD BRKT GROMMET RET (13/32 I. D. X 1 3/8 O.D.)

<b>6.605</b>		<b>PUMP, Power Steering</b>			
65-73	Y	7808286	1	169.00	PUMP,
74	Y	7816847	1	169.00	PUMP,
75-79	Y	7818044	1	169.00	PUMP,
80-82	Y	7839822	1	169.00	PUMP,

<b>6.606</b>		<b>BOLT-BRACE-BRACKET-BRACKET KIT-SPACER-STUD-WASHER, Steering Pump Mounting</b>			
68-75	Y	9430724	1	1.00	BOLT, PUMP MT BRKT TO SUPT (3/8-16 X 3 3/4)
71-82	Y	3826039	2	.36	BOLT, PUMP MT BRKT TO SUPT (5/8-18 X 1 3/4)
77	Y	331246	1	.33	BOLT, PUMP BRACE TO ENG (3/8-16 X 15/16) (300M)
65-69	Y (396, 427)	3946000	1	14.80	BRACE,
70-74	Y (454) (EXC. H.D.)	3946000	1	14.80	BRACE,
65-68	Y (427)	3946002	1	16.05	BRACKET,
70-74	Y (454)	3946002	1	16.05	BRACKET,
74-82	Y	3928493	1	9.70	BRACKET KIT, W/SUPT
77-79	Y (EXC. A.C.)	3983422	1	.67	SPACER, PIV BRKT(.42X.68" STL)
80-82	Y	3983422	1	.67	SPACER, PUMP(.42X.68" STL)
63-79	Y	5689546	2	1.05	STUD (3/8-16 X 1 1/2)
80-82	Y	7831388	1	2.55	STUD,
59-82	Y	502306	AR	.30	WASHER (13/32 X 3/4 X 1/8)

<b>6.608</b>		<b>HOUSING-PIN, Steering Pump</b>			
<i>NOTE 1: USED WITH PUMPS WITH DATE STAMPED ON RESERVOIR 356XX7 OR HIGHER.</i>					
67-79	Y	7807934	1	76.50	HOUSING,
80-82	Y	7830236	1	55.75	HOUSING,
63-82	Y	5689357	2	1.70	PIN, DOWEL (3/16) (NOTE 1)

<b>6.609</b>		<b>PLATE-RING-SEAL-SEAL KIT, Steering Pump</b>			
63-82	Y	5689358	1	2.90	PLATE, PUMP END (2 25/64 DIA.)
63-82	Y	5688014	1	.50	RING, END PLT RET (3" O.D.)
76-81	Y	7825171	1	25.50	RING, PUMP
63-86	Y	5688034	2	1.75	SEAL (2 5 1/64 I.D.)
63-82	Y	5688044	1	N.L.	SEAL KIT,

<b>6.610</b>		<b>RING KIT, Steering Pump</b>			
63-81	Y	7825173	1	81.50	RING KIT, ROTOR & VANE
80-81	Y	7825173	1	81.50	RING KIT, HYD STRG PUMP ROTOR & VANE
61	Y	7838571	1	81.25	RING KIT, ROTOR & VANE LESS GROOVE
81	Y	7837322	1	N.L.	RING KIT, HYD STRG PUMP ROTOR VANE (ROTOR HAS GROOVE)
81-82	Y	7837337	1	81.25	RING KIT, ROTOR & VANE W/GROOVE

<b>6.612</b>		<b>PLATE-PLATE KIT-SPRING, Steering Pump</b>			
63-80	Y	7834716	1	12.65	PLATE, THRUST
63-82	Y	7839388	1	22.85	PLATE, PRESS (17/32 THK)
82	Y	7839669	1	12.65	PLATE, PRESS
75-82	Y	7839366	1	22.85	PLATE KIT, PRESS & THRUST
63-82	Y	5688037	1	1.00	SPRING, FLOW CONT (1 31/32 FREE LENGTH)
63-81	Y	5689359	1	.54	SPRING, PRESS PLT

<b>6.614</b>		<b>SHAFT, Steering Pump</b>			
<i>NOTE 1: USED WITH PUMPS WITH DATE STAMPED ON RESERVOIR 356XX7 OR HIGHER.</i>					
67-74	Y	7810333	1	26.25	SHAFT, (NOTE 1)
75-81	Y	7818175	1	34.75	SHAFT, W/RING,DR
81-82	Y	7837321	1	32.25	SHAFT, W/RING,DR



## FRONT SUSPENSION STEERING

<b>6.616 RING, Steering Pump Drive Shaft Outer Bearing Retainer</b>						
69-81	Y	5689388	1	.62	RING, .....	
81-82	Y	7837284	1	.62	RING, PUMP SHAFT RET .....	
<b>6.617 SEAL, Steering Pump Drive Shaft</b>						
87-82	Y	7808195	1	3.80	SEAL, .....	
<b>6.624 VALVE, Steering Pump Control</b>						
NOTE 1: INCLUDES PLUNGER, GUIDE, BALL SPRING, SCREW, FILTER AND SHIM.						
63-68	Y	5892407	1	15.50	VALVE, (NOTE 1) .....	
70-82	Y	7809226	1	9.40	VALVE, .....	
<b>6.635 CAP-RESERVOIR-RESERVOIR KIT-SEAL, Steering Pump</b>						
83-82	Y	7834183	1	7.25	CAP, RESVR .....	
87-74	Y	7826727	1	38.75	RESERVOIR, .....	
75-82	Y	7826770	1	51.25	RESERVOIR KIT, .....	
83-82	Y	5688015	1	2.85	SEAL, O RING, RESVR (4 1/2 I.D.) .....	
83-77	Y	5688109	2	.62	SEAL, RESVR BOLT (29/64 O.D.) .....	
<b>6.655 GUARD-NUT-PULLEY-WASHER, Steering Pump</b>						
NOTE: IN SOME CASES DOUBLE GROOVE PULLEYS MAY BE USED IN PLACE OF SINGLE GROOVE PULLEYS.						
NOTE 1: 1977 1ST DESIGN, NO 2ND DESIGN.						
85-66	Y	W/A.C., 62 AMP.	3890478	1	4.10	GUARD, BELT .....
87-69	Y	(EXC. 427)	3890478	1	4.10	GUARD, BELT .....
70-77	Y	(350)	3890478	1	4.10	GUARD, BELT (NOTE 1) .....
63-75	Y		3824475	1	.59	NUT, PULLEY (9/16-18) .....
83-68	Y	(327)	3770509	1	14.40	PULLEY (5 47/64 O.D.) .....
65-68	Y	(327) W/SP. H/PER., HYD. LIFTERS (EXC. A.C.)	3834720	1	22.80	PULLEY, .....
65	Y	(396)	3878245	1	44.75	PULLEY (6 1/2 O.D.) .....
66-69	Y	(427) (EXC. H.D.)	3878245	1	44.75	PULLEY (6 1/2 O.D.) .....
69-70	Y	(350) (EXC. SP. H/PER., A.C.)	3834720	1	22.80	PULLEY, .....
69-74	Y	(350) W/A.C.	3770509	1	14.40	PULLEY (5 47/64 O.D.) .....
70	Y	(350) W/SP. H/PER.	3834720	1	22.80	PULLEY, .....
70	Y	(454) W/H/PER. (EXC. A.C.)	3878245	1	44.75	PULLEY (6 1/2 O.D.) .....
70	Y	(454) W/H.D.	3878245	1	44.75	PULLEY (6 1/2 O.D.) .....
71-74	Y	(EXC. 454, A.C.)	3834720	1	22.80	PULLEY, .....
71-74	Y	(454)	3878245	1	44.75	PULLEY (6 1/2 O.D.) .....
75-82	Y		14023175	1	14.35	PULLEY (5 23/32 O.D.) 1 GROOVE .....
66-69	Y	(EXC. 427, H/PER.)	11504247	2	.28	WASHER, BELT GUARD (3/8 I.D. X 17/32 O.D.) .....
70-77	Y	(350)	11504247	2	.28	WASHER, BELT GUARD (3/8 I.D. X 17/32 O.D.) .....
<b>6.665 BOLT, Steering Pump Idler</b>						
58-82	Y		3898575	AR	.81	BOLT, HEX (3/8-16 X 3 PC 280M) .....
<b>6.670 HOSE-PIPE, Steering Gear Oil Pressure</b>						
63-73	Y	(EXC. 396, 427, 454)	3826277	1	29.25	HOSE, PUMP TO CONT VLV INLET .....
65-89	Y	(396, 427)	3878886	1	23.00	HOSE, PUMP TO CONT VLV INLET .....
70-74	Y	(454) (EXC. H.D.)	3878886	1	23.00	HOSE, PUMP TO CONT VLV INLET .....
74	Y	(350)	3826277	1	29.25	HOSE, PUMP TO CONT VLV INLET .....
75-79	Y		3826277	1	29.25	HOSE, PUMP TO CONT VLV INLET .....
80-82	Y		7834409	1	24.90	HOSE, PUMP TO CONT VLV INLET .....
83-82	Y		3826275	1	27.75	PIPE, STRG CONT VLV TO EXTEND CYL .....
83-82	Y		3826276	1	27.75	PIPE, STRG CONT VLV TO RETRACT CYL .....
<b>6.671 HOSE, Steering Gear Oil Return</b>						
63-82	Y		3826278	1	7.10	HOSE, PUMP TO CONT VLV OTLT .....
<b>6.672 BRACKET-CLAMP, Power Steering Hose</b>						
75-82	Y	W/P/S (N41)	7819813	1	9.70	BRACKET, PWR STRG HOSE GDE .....
63-78	Y		3874681	1	.35	CLAMP, STRG TO GEAR, INLET AND OTLT .....
<b>6.673 CONNECTOR-FITTING-SEAL-SEAT, Steering Gear Oil Pressure Hose</b>						
63-76	Y		5681757	1	.64	CONNECTOR, HYD VLV HSG (INVERT FLD TUBE) .....
76-79	Y		7811615	1	5.45	FITTING, W/ORIFICE, OTLT .....
81-82	Y		7830911	1	4.60	FITTING, HYD STRG PUMP .....
76-82	Y	W/P.S. (N41)	5681740	3	.84	SEAL, O RING .....
79-82	Y		7829923	AR	.88	SEAL (7.65MM I.D. X 1.63MM THICKNESS) .....
83-81	Y		5681757	AR	.64	SEAT, STRG CYL (3/16 I.D. X 3/8 O.D.) .....
75-82	Y	W/P.S. (N41)	5681757	3	.64	SEAT, INV FLARED .....

**FRONT SUSPENSION STEERING**

<b>6.674 SEAL, Steering Gear Oil Hose</b>					
63-81	Y	5681740	1	.84	SEAL, O RING, VLV REACTION SPOOL (27/64 O.D.)
63-82	Y	5688035	1	.70	SEAL, O RING PUMP OUTLET FITTING (37/64 I.D.)
63-77	Y	5688049	1	.58	SEAL, PUMP OUTLET FITTING (15/16 O.D.)
<b>6.758 SEAL, Steering Column</b>					
69-77	Y	W/T.W., TEL. WHL.	7806815	1	4.05 SEAL, STRG COL TO DASH
78-82	Y		7806815	1	4.05 SEAL, STRG COL TO DASH
<b>6.760 BOLT-BRACE-BRACKET-COVER-NUT-SCREW-SUPPORT-WASHER, Steering Column Attaching</b>					
68-89	Y		3928894	AR	.35 BOLT, COL SUPT BRKT (7/16-18 X 5/8)
69-76	Y67		3958304	1	4.10 BRACE, SUPT TO BODY HINGE PILLAR
69-82	Y		347894	1	68.00 BRACKET, STRG COL SUPT
78-82	Y		468102	1	43.75 COVER, I/P LWR STRG COL (BLACK) (PAINT AS REQUIRED)
60-79	Y		14057004	AR	.33 NUT, HEX FLANGE (3/8-16 PC 286M)
63-66	Y		9422314	1	.35 SCREW, UPR AND LWR CLAMP
69-82	Y		3945328	1	8.75 SUPPORT,
78-79	Y		587168	AR	.28 WASHER, FLAT
<b>6.786 BEARING-BUSHING, Steering Gear Pitman Shaft</b>					
53-62	Y		148418	1	3.60 BEARING, HOUSING (1 1/8 I.D. X 1 3/8 O.D. X 1 LONG)
63-82	Y		266316	AR	4.05 BUSHING (1 1/8 I.D. X 1 3/8)
<b>6.803 HOUSING, Steering Gear</b>					
63-82	Y		5677646	1	77.00 HOUSING, W/BSHG
<b>6.807 COVER, Steering Gear Housing Side</b>					
63-82	Y		7806748	1	21.65 COVER, W/BSHG, SI
<b>6.809 BOLT-GASKET, Steering Gear Housing Side Cover</b>					
69-76	Y		180120	3	.33 BOLT (3/8-16 X 3/4)
63-82	Y		5666734	1	.68 GASKET (3" HOLES 13/32 I.D.)
<b>6.822 ADJUSTER, Steering Gear Lash Adjuster</b>					
53-82	Y		7802482	1	1.25 ADJUSTER, LASH (7/16-20 X 1 9/16)
<b>6.828 SHIM KIT, Steering Gear Lash Adjuster</b>					
53-82	Y		605142	1	1.60 SHIM KIT (.063-.065-.067-.069 THK)
<b>6.830 ADJUSTER, Steering Gear Worm Bearing</b>					
63-82	Y		5677643	1	13.70 ADJUSTER, STRG GEAR WORM BRG
<b>6.832 NUT, Steering Gear Housing</b>					
63-82	Y		5676217	1	1.75 NUT, ADJ LOCK (2 3/4-16 THREAD)
<b>6.835 BEARING-RACE, Steering Gear Thrust</b>					
53-82	Y		281868	2	3.65 BEARING (1 3/4 O.D.)
63-82	Y		5666893	2	2.60 BEARING (1 5/16 O.D.)
63-82	Y		5666893	2	4.02 RACE (1 1/2 O.D. X 5/16 THK.)
<b>6.842 GUIDE, Steering Gear Ball Return</b>					
63-71	Y		7805155	AR	11.00 GUIDE (RH THREAD)
76-82	Y		7805155	AR	11.00 GUIDE,
<b>6.843 CLAMP-SCREW, Steering Gear Ball Return Guide</b>					
63-82	Y		5677106	1	.75 CLAMP (5/8 WIDE, R.H. THREAD)
63-82	Y		5674113	3	.51 SCREW, W/LOCKWASHER (#12-28 X 5/16)
<b>6.844 BALL, Steering Gear Worm</b>					
63-72	Y		7808441	AR	.54 BALL (9/32 DIA.)
70-82	Y		5671106	1	6.90 BALL, STRG GEAR
<b>6.850 GEAR, Steering Gear Pitman</b>					
63-82	Y		7812838	1	38.00 GEAR,
<b>6.855 SEAL, Steering Gear Pitman Shaft</b>					
63-82	Y		7801626	1	3.40 SEAL, STRG PITMAN SHAFT GREASE

**FRONT SUSPENSION STEERING**

<b>6.859</b>		<b>ARM, Steering Pitman</b>			
63-82	Y	3741383	1	27.25	ARM, .....
63-76	Y (EXC. P.S.)	3829451	1	26.50	ARM, .....
<b>6.861</b>		<b>NUT-WASHER, Steering Pitman Arm</b>			
53-62	Y	7809779	1	1.40	NUT (3/4-16 X 3/8 THICK-1 1/4 HEX.) ...
63-82	Y	5667628	1	1.80	NUT, PITMAN ARM (7/8-14) .....
76-79	Y	5697702	AR	.81	WASHER, LOCK .....
82	Y	5697702	1	.81	WASHER, PITMAN ARM LOCK .....
<b>6.865</b>		<b>ABSORBER-BOLT, Steering Linkage</b>			
63-68	Y (EXC. P.S., F.I., H/PER, SPL HDL/PER	22011964	1	36.50	ABSORBER, .....
63-67	Y (EXC. P.S., F.I., SP. H/PER., 427)	3707480	AR	.97	BOLT, BRKT TO RELAY ROD (7/16-20 X 1 1/2) (6.172) .....
63-65	Y W/P.S., F.I., SP. H/PER.	3815933	2	1.50	BOLT, ABS TO BRKT (7/16-20 X 2 1/4) (0.662) .....
<b>6.870</b>		<b>CLAMP-ROD, Steering Relay</b>			
53-62	Y	599234	2	1.10	CLAMP, SLEEVE (6.525) .....
63-68	Y (EXC. 396, 427, P.S.)	3955521	1	168.00	ROD, RELAY (EXC. STRG SHK ABS) .....
63-68	Y (396, 427) (EXC. P.S.)	3955512	1	89.50	ROD, RELAY (EXC. STRG. SHOCK ABS.) ..
63-76	Y W/P.S.	3952707	1	83.25	ROD, RELAY .....
69-76	Y (EXC. P.S.)	3955512	1	89.50	ROD, RELAY (EXC. STRG. SHOCK ABS.) ..
77-82	Y	3952707	1	83.25	ROD, RELAY .....
<b>6.874</b>		<b>BOLT-SEAT-STUD, Steering Connecting Rod</b>			
77-82	Y	3820342	2	.59	BOLT, RLY AND TIE ROD TO FRM (3/8-24 X 4 1/2) (6.5C3) .....
63-76	Y (EXC. P.S.)	3741378	2	1.30	SEAT, BALL STUD .....
63-73	Y W/P.S.	284946	2	1.60	SEAT, ADAPTER BALL (1" O.D.) .....
63-75	Y (EXC. P.S.)	3829448	1	1.95	STUD, BALL .....
<b>6.876</b>		<b>SPRING, Steering Connecting Rod</b>			
53-62	Y	335976	AR	1.30	SPRING (25/32 FREE LENGTH) .....
63-76	Y (EXC. P.S.)	3741385	2	1.30	SPRING, BALL STUD (1" FREE LENGTH) (4 1/4 COILS) .....
<b>6.881</b>		<b>PLUG, Steering Connecting Rod End</b>			
55-76	Y (EXC. P.S.)	335977	AR	2.25	PLUG, STRG RLY ROD (1 1/16-18 THREAD X 1/2 O.L.) .....
<b>6.886</b>		<b>SEAL, Steering Connecting Rod</b>			
<i>NOTE: ON UNITS EQUIPPED W/P.S., QUANTITY REQUIRED IS ONE.</i>					
63-76	Y (EXC. P.S.)	3829450	1	1.25	SEAL, RELAY ROD (15/16 I.D. X 1 3/16 O.D.) .....
64-68	Y (EXC. P.S.)	3826598	2	.40	SEAL (1/2 I.D. X 1 35/64 O.D.) (6.242) ..
<b>6.895</b>		<b>LEVER, Steering Idler</b>			
63-81	Y W/P.S.	3779184	1	38.00	LEVER (FORGED 3779185) .....
82	Y W/P.S.	14053350	1	38.00	LEVER, STRG IDLER .....
<b>6.896</b>		<b>BRACKET, Steering Idler Arm</b>			
63-82	Y	3819289	1	1.70	BRACKET, .....
<b>6.897</b>		<b>SPACER-WASHER, Steering Idler Lever</b>			
76-82	Y W/A.C.	3820389	1	.38	SPACER (SEE GROUP 9.171 FOR USAGE)
63-82	Y	3793578	1	.38	WASHER, TO RELAY ROD (5/8) .....
<b>6.898</b>		<b>SEAL, Steering Idler</b>			
63-82	Y	3744796	AR	.40	SEAL, TO RELAY ROD .....
63-81	Y	3779196	1	.50	SEAL (1 1/2 DIA.) .....

MICROFICHE INDEX  
GROUPS 6.000 THRU 8.000  
FICHE 4 OF 6

<u>GROUP DESCRIPTION</u>	<u>STARTING GRID LOCATION</u>	
	<u>PARTS</u>	<u>ILLUSTRATIONS</u>
- INTRODUCTION .....	A-6	H-2
- GENERAL INFORMATION .....	A-2	H-2
- ALPHABETICAL INDEX .....	C-11	N.A.
- INDEX FOR ADDITIONAL INFORMATION .....	A-5	N.A.
6.000 FRONT SUSPENSION - STEERING .....	E-2	H-6
7.000 FRAME - SPRINGS - SHOCKS - BUMPERS .....	F-2	J-2
8.000 FRONT END SHEET METAL - HEATER .....	G-5	L-2
- OUT OF FICHE CALLS .....	N.A.	M-11

**F-1**

PARTS

7



# CHEVROLET CHASSIS GROUP 7.000



## FRAME — SPRINGS — SHOCKS — BUMPERS

### ALPHABETICAL INDEX

A		D	
ABSORBER, Bumper Energy Absorber .....	7.840	DEFLECTOR, Bumper to Body .....	7.833
ABSORBER, Front and Rear .....	7.345		
B		E	
BAR, Bumper Face .....	7.831	EMBLEM, License Plate .....	7.800
BAR KIT, Bumper Face .....	7.831	EXTENSION, Bumper .....	7.836
BAR, License Plate .....	7.800		
BEZEL, License Plate .....	7.800	F	
BOLT, Bumper Mounting .....	7.874	FILLER, Bumper Face .....	7.831
BOLT, Energy Absorber Bar Guide .....	7.829	FILLER, Bumper Guard .....	7.828
BOLT KIT, Bumper Energy Absorber .....	7.840	FITTING, Auto Shock Absorber .....	7.447
BOLT, Rear Spring .....	7.506	FRAME, Chassis Frame .....	7.003
BOLT, Rear Spring and Axle .....	7.529	FRAME, License Plate .....	7.800
BOLT, Shock Absorber .....	7.380		
BOLT, Shock Absorber .....	7.347	G	
BOLT, Spare Wheel Mounting .....	7.632	GROMMET, Bumper to Body .....	7.833
BOLT, Stabilizer .....	7.240	GROMMET, Shock Absorber .....	7.388
BRACE, Bumper .....	7.836	GROMMET, Stabilizer Link .....	7.244
BRACE, Frame Front Cross Member .....	7.039	GUARD, Bumper Guard .....	7.828
BRACKET, Body Mount Rear .....	7.330	GUSSET, Frame Front Cross Member .....	7.039
BRACKET, Bumper Energy Absorber .....	7.840		
BRACKET, Bumper Mounting .....	7.869	H	
BRACKET, Frame Front Cross Member .....	7.039	HANGER, Spare Wheel .....	7.629
BRACKET, License Plate .....	7.800	HARNESS, Towing .....	7.068
BRACKET, Shock Absorber Anchor .....	7.395		
BRACKET, Shock Absorber .....	7.380	I	
BRACKET, Spare Wheel .....	7.629	INSULATOR, Rear Spring .....	7.545
BRACKET, Stabilizer Shaft .....	7.242		
BRACKET, Towing .....	7.068	L	
BRACKET, Transmission Support .....	7.011	LINER, Rear Leaf Spring .....	7.495
BUMPER, Bumper to Body .....	7.833	LINK, Stabilizer .....	7.240
BUMPER, Bumper Face .....	7.831		
BUMPER, License Plate .....	7.800	M	
BUMPER, Rear Spring .....	7.535	MEMBER, Bumper Face .....	7.831
BUSHING, Bumper Mounting .....	7.865		
BUSHING, Rear Spring .....	7.504		
BUSHING, Rear Spring Shackles .....	7.524		
BUSHING, Stabilizer Shaft .....	7.243		
C			
CARRIER, Spare Wheel .....	7.629		
CLIP, Energy Absorber Bar Guide .....	7.829		
COVER, Bumper .....	7.832		
COVER, Bumper Face .....	7.831		
COVER, Spare Wheel .....	7.629		
COVER, Wheel Carrier Lock .....	7.675		
CUSHION, Bumper Energy Absorber .....	7.840		
CUSHION, Frame Cross, Intermediate .....	7.012		
CUSHION, Rear Spring .....	7.545		
CYLINDER, Wheel Carrier Lock .....	7.675		

## ALPHABETICAL INDEX

MEMBER, Frame Cross, Intermediate .....	7.012
MEMBER KIT, Front Frame Cross .....	7.010
MEMBER, Rear Frame Cross .....	7.014
MEMBER, Transmission Support .....	7.011

### N

NUT, Bumper to Body .....	7.833
NUT, Bumper Face .....	7.831
NUT, License Plate .....	7.800
NUT, Rear Spring and Axle .....	7.529
NUT, Rear Spring and Shock Absorber Anchor Plate .....	7.516
NUT, Shock Absorber .....	7.347
NUT, Shock Absorber Anchor .....	7.395
NUT, Spare Wheel Carrier .....	7.633
NUT, Stabilizer Link .....	7.245

### P

PIN, Rear Spring and Axle .....	7.529
PLATE, Bumper .....	7.836
PLATE, Rear Spring and Shock Absorber Anchor .....	7.518
PLATE, Stabilizer Link .....	7.245

### R

REINFORCEMENT, Bumper Face .....	7.831
REINFORCEMENT, Bumper Guard .....	7.828
REINFORCEMENT, Energy Absorber Bar Guide ..	7.829
REINFORCEMENT, Frame Front Cross Member ..	7.039
RETAINER, Bumper .....	7.832
RETAINER, Bumper to Body .....	7.833
RETAINER, Bumper Energy Absorber .....	7.840
RETAINER, Bumper Face .....	7.831
RETAINER, Bumper Mounting .....	7.865
RETAINER, Bumper Mounting .....	7.874
RETAINER, Rear Spring .....	7.545
RETAINER, Rear Spring and Axle .....	7.529
RETAINER, Shock Absorber .....	7.389
RETAINER, Stabilizer Link .....	7.245
RETAINER, Stabilizer Shaft .....	7.242
RIVET, Bumper Energy Absorber .....	7.840
ROD, Bumper .....	7.836
ROD, Bumper Mounting .....	7.865

### S

SCREW, License Plate .....	7.800
SCREW, Stabilizer Shaft .....	7.242
SEAL, Bumper to Body .....	7.833
SHACKLE KIT, Rear Spring .....	7.523
SHAFT, Stabilizer .....	7.241
SHIM, Bumper Energy Absorber .....	7.840
SHIM, Bumper Mounting .....	7.865
SPACER, Bumper Energy Absorber .....	7.840
SPACER, Rear Spring .....	7.535
SPACER, Rear Spring and Shock Absorber Anchor .....	7.518
SPACER, Stabilizer .....	7.240
SPRING, Front Chassis .....	7.412
SPRING, Rear Chassis .....	7.503
SPRINGS, Front Chassis .....	7.412
SPRINGS, Rear Chassis .....	7.503
STRIP, Bumper Energy Absorber .....	7.840
STRIP, Bumper Face .....	7.831
STRIPE, Bumper .....	7.832
SUPPORT, Bumper .....	7.836
SUPPORT, Bumper Energy Absorber .....	7.840
SUPPORT, Spare Wheel .....	7.629

### T

TAPE, Bumper .....	7.832
TEE, Auto Shock Absorber .....	7.447
TRAY, Spare Wheel .....	7.629
TUBE, Shock Absorber Air Lift .....	7.346

### U

U BOLT, Rear Spring and Shock Absorber Anchor Plate .....	7.516
UNIT, Rear Spring and Axle .....	7.529

### V

VALVE, Shock Absorber Air Lift .....	7.346
--------------------------------------	-------

### W

WASHER, Bumper to Body .....	7.833
WASHER, Bumper Energy Absorber .....	7.840
WASHER, Bumper Mounting .....	7.865
WASHER, Frame Front Cross Member .....	7.039
WASHER, Shock Absorber .....	7.347

**FRAMES-SPRINGS-SHOCKS-BUMPERS**

**7.003 FRAME, Chassis Frame**

NOTE 1: WHEN USING 14050682 FOR 1982 ALSO USE 14038295 CROSS MBR.

69-74	Y	12300910	1	1704.00	FRAME, .....
75-77	Y	14055040	1	1083.00	FRAME, .....
78-79	Y	W/M.T. (M20), A.T. (M38)	1	1083.00	FRAME, .....
80-81	Y	14050682	1	1083.00	FRAME, .....
82	Y	W/A.T. (MD8)	1	1083.00	FRAME, (NOTE 1) .....

**7.010 MEMBER KIT, Front Frame Cross**

75-81	Y	14022114	1	540.00	MEMBER KIT, FRT SI AND CROSS (USE WITH FRAMES 363445 & 458439) .....
-------	---	----------	---	--------	--

**7.011 BRACKET-MEMBER, Transmission Support**

68-79	Y	W/A.T.	3913849	2	11.20	BRACKET, TRANS SUPT CROSS .....
76-79	Y	W/M.T.	3913877	LH	4.25	BRACKET, TRANS SUPT CROSS (4.083) .....
76-79	Y	W/M.T.	3913878	RH	4.25	BRACKET, TRANS SUPT CROSS (4.083) .....
63-67	Y		3900266	1	351.00	MEMBER, TRANS SUPT CROSS .....
68-78	Y	W/A.T.	12300911	1	177.00	MEMBER, TRANS SUPT CROSS .....
68-78	Y	W/M.T.	348311	1	177.00	MEMBER, TRANS SUPT CROSS .....
79	Y		12300911	1	177.00	MEMBER, TRANS SUPT CROSS .....
80-81	Y		475334	1	177.00	MEMBER, TRANS SUPT CROSS .....

**7.012 CUSHION-MEMBER, Frame Cross, Intermediate**

63-79	Y		9750078	2	18.25	CUSHION, RR SUSP RR MT C/MBR .....
63-79	Y		3949087	1	123.00	MEMBER, RR SUSP RR MT CR .....

**7.014 MEMBER, Rear Frame Cross**

68-73	Y		6263621	1	42.75	MEMBER .....
74	Y		12300912	1	99.00	MEMBER, .....
75-77	Y		348060	1	99.00	MEMBER, .....
78-79	Y	W/M.T. (M20), A.T. (M38)	457990	1	89.00	MEMBER, .....
80-82	Y		457990	1	89.00	MEMBER, .....

**7.039 BRACE-BRACKET-GUSSET-REINFORCEMENT-WASHER, Frame Front Cross Member**

75	Y		3988809	LH	8.15	BRACE, FRT .....
75	Y		3988810	RH	8.15	BRACE, FRT .....
63-79	Y		3819337	LH	7.60	BRACKET, DIFF CARR MT,RR .....
63-79	Y		3819338	RH	4.95	BRACKET, DIFF CARR MT,RR .....
63-79	Y		3949055	1	7.30	BRACKET, DIFF CARR MT,FRT .....
75-79	Y		348063	LH	21.80	GUSSET, FRT .....
75-81	Y		348064	RH	21.80	GUSSET, FRT .....
68-79	Y		3949017	LH	8.15	REINFORCEMENT, FRT .....
68-79	Y		3949018	RH	8.15	REINFORCEMENT, FRT .....
70-80	Y		1370177	AR	.47	WASHER, FLAT (17/32 X 1 X 5/32 ZC) .....

**7.068 BRACKET-HARNESS, Towing**

80	Y		14028560	1	23.65	BRACKET, FRT TOWING .....
81-82	Y		14028582	2	6.90	BRACKET, RR TOWING .....
65-75	Y		2988876	1	18.70	HARNESS, TRLR WRG RR (USED IN I/P COMPT) .....

**7.240 BOLT-LINK-SPACER, Stabilizer**

NOTE 1: CONSISTS OF (1) REAR LINK AND (1) 3872955 BUSHING ASM.

60-82	Y		3817575	2	1.25	BOLT, FRT STAB SHAFT LINK (5/16-24 X 5 25/32) .....
53-62	Y		3708283	1	3.35	LINK, BOLT TYPE (5/16-24 X 11 1/4) .....
65-82	Y		3872452	2	5.80	LINK, W/BSHG (NOTE 1) .....
55-62	Y		3931399	1	1.30	SPACER, BOLT GROMMET (6 1/8 LONG) .....
60-62	Y		3775445	2	2.30	SPACER, RR SHAFT BSHG BRKT ("U" SHAPE) .....
60-62	Y		3775446	2	2.30	SPACER, LINK BOLT GROMMET (17/32 O.D. X 1 31/32) .....
63-82	Y		3817574	2	.44	SPACER, LINK BOLT GROMMET .....

**7.241 SHAFT, Stabilizer**

63-64	Y	(EXC. SP. PER. SUSP., H.D. SUSP.)	3871318	1	31.00	SHAFT, FRT .....
63-69	Y	W/SP. PER. H.D. SUSP.	3871318	1	31.00	SHAFT, FRT .....
65	Y	(396) W/SP. H/PER. (EXC. H.D. SUSP.)	3871318	1	31.00	SHAFT, FRT .....
65-68	Y	(396, 427)	3967713	1	90.75	SHAFT, RR (9/16 DIA) .....
65-69	Y	(427, 454) (EXC SP PER SUSP, H.D. SUSP)	3871318	1	31.00	SHAFT, FRT .....
66-67	Y	(427) (EXC SP PER SUSP H.D.)	3871318	1	31.00	SHAFT, FRT .....



**FRAMES-SPRINGS-SHOCKS-BUMPERS**

<b>7.241</b>		<b>SHAFT, Stabilizer (Con't)</b>			
69-74	Y (427, 454)	3967713	1	90.75	SHAFT, RR (9/16 DIA)
70-72	Y (EXC SP PER SUSP, 454)	3871318	1	31.00	SHAFT, FRT
70-73	Y (350) W/SP PER SUSP, SP H/PER	3871318	1	31.00	SHAFT, FRT
73-79	Y (EXC H.D. SUSP) (FE7)	3871318	1	31.00	SHAFT, FRT
73-74	Y W/SP SUSP	3871318	1	31.00	SHAFT, FRT
75-82	Y W/H.D. SUSP (FE7)	351596	1	48.50	SHAFT, FRT (27.55 MM)
75-82	Y W/H.D. SUSP (FE7)	351597	1	64.00	SHAFT, RR (1.12 MM)
<b>7.242</b>		<b>BRACKET-RETAINER-SCREW, Stabilizer Shaft</b>			
60-67	Y	3742246	2	1.05	BRACKET, FRT FRAME
65	Y (396)	3871329	2	2.00	BRACKET, RR LINK
65-67	Y (396, 427)	3742246	2	1.05	BRACKET, RR FRAME
66-76	Y (427, 454, 350)	3871329	2	2.00	BRACKET, RR LINK
68-82	Y	3913863	2	1.30	BRACKET, FRT
68-82	Y W/H.D. SUSP (FE7)	3913863	2	1.30	BRACKET, RR
69-82	Y	406887	AR	1.60	BRACKET, FRT STAB(13/32 MTG HOLES)
77-82	Y W/H.D. SUSP (FE7)	3871329	2	2.00	BRACKET, RR LINK
65-67	Y (396, 427)	3871325	2	1.80	RETAINER, RR
82	Y	599233	AR	11.55	RETAINER, FRT STAB SHF AXLE
77-82	Y	458985	4	.55	SCREW, W/WA, FRT FRAME BRKT
77-82	Y W/H.D. SUSP (FE7)	458985	4	.55	SCREW, W/WA, RR FRAME BRKT
<b>7.243</b>		<b>BUSHING, Stabilizer Shaft</b>			
53-82	Y	599430	2	1.20	BUSHING, SHAFT
63-67	Y (EXC. SP. PER. SUSP., H.D. SUSP.)	3817573	2	2.25	BUSHING, FRT FRAME
63-67	Y W/SP. PER. SUSP., H.D. SUSP.	3828826	2	1.55	BUSHING, FRT FRAME
65-76	Y (396, 427, 454, 350)	3872955	4	1.75	BUSHING, RR LINK
68-74	Y (EXC 427, 454, SP. PER. SUSP.)	3986427	2	1.70	BUSHING, FRT FRAME
68-69	Y (350, 427)	3923674	2	1.70	BUSHING, FRT FRAME
68-74	Y (427, 454)	481432	2	1.60	BUSHING, RR FRAME
70-72	Y (SP. PER. SUSP. W/SP. H/PER.) (350)	3923674	2	1.70	BUSHING, FRT FRAME
70-76	Y (454, 350)	3923674	2	1.70	BUSHING, FRT FRAME
75-82	Y W/H.D. SUSP. (FE7)	351595	2	2.35	BUSHING, FRT
75-82	Y W/H.D. SUSP. (FE7)	351600	2	1.75	BUSHING, RR
77-79	Y (EXC H.D. SUSP FE7)	3923674	2	1.70	BUSHING, FRT FRAME
77-79	Y (EXC H.D. SUSP FE7)	3923674	2	1.70	BUSHING, RR LINK
77-82	Y W/H.D. SUSP (FE7)	3872955	4	1.75	BUSHING, RR LINK
<b>7.244</b>		<b>GROMMET, Stabilizer Link</b>			
53-82	Y	6270752	AR	.44	GROMMET, STAB BAR AND SHK ABS
<b>7.245</b>		<b>NUT-PLATE-RETAINER, Stabilizer Link</b>			
53-82	Y	3654642	2	.35	NUT, FRT STAB SHAFT LINK BOLT
65-76	Y (396, 427, 454, 350)	3877979	2	3.95	PLATE, RR (3 X 3/4 W/2 HOLES)
77-82	Y W/H.D. SUSP. (FE7)	3877979	2	3.95	PLATE, RR (3 X 3/4 W/2 HOLES)
53-81	Y	4941130	AR	.20	RETAINER, FRT SHOCK ABS GROMMET LWR AND UPR END, FRT STAB LINK BOLT GROMMET
<b>7.330</b>		<b>BRACKET, Body Mount Rear</b>			
68-82	Y	3923650	2	9.95	BRACKET, NO. 4
<b>7.345</b>		<b>ABSORBER, Front and Rear</b>			
NOTE 1: INCLUDES 4 BUSHINGS AND 2 NUTS.					
53-82	Y	3192015	2	24.40	ABSORBER, FRT
53-62	Y	3192962	2	22.79	ABSORBER, RR (NOTE 1)
57-59	Y W/H.D. BRAKE/SUSP	3192962	2	22.79	ABSORBER, RR (NOTE 1)
63-77	Y (EXC H.D. SUSP)	4975486	2	24.40	ABSORBER, FRT
63-73	Y (EXC SPEC PERF SUSP)	22011967	2	24.40	ABSORBER, RR
63-81	Y W/H.D. SUSP (FE7), H.D. SHK	3196957	2	24.40	ABSORBER, FRT
63-77	Y W/H.D. SUSP	4940459	2	44.00	ABSORBER, RR
74-81	Y W/A.T. (M3d) (EXC H.D. SUSP, SP H/PER)	22011967	2	24.40	ABSORBER, RR
78-81	Y W/A.T. (EXC H.D. SUSP, SP H/PER)	4975486	2	24.40	ABSORBER, FRT
78-82	Y W/H.D. SUSP (FE7), H.D. SHK	4993538	2	39.00	ABSORBER, RR
78-79	Y W/M.T. (EXC H.D. SUSP)	4940459	2	44.00	ABSORBER, RR
82	Y (EXC FE7)	4975486	2	24.40	ABSORBER, FRT

**FRAMES-SPRINGS-SHOCKS-BUMPERS**

<b>7.346 TUBE-VALVE, Shock Absorber Air Lift</b>					
77-81	Y	10005354	1	6.90	TUBE, RR S/ABS(6502 MM)
62-77	Y	3178498	AR	2.64	VALVE, RR SHK AIR FILL
<b>7.347 BOLT-NUT-WASHER, Shock Absorber</b>					
72-81	Y	458986	2	.57	BOLT, RR UPR END
63-81	Y	225854	AR	.35	NUT, FRT UPR END (3/8-24 X 3/8 THK) (O. 626)
53-82	Y	3905689	AR	.25	WASHER, SEALING (9/32 I.D.)
65-82	Y	3790342	2	.25	WASHER, FRT UPR (13/32 I.D. X 1 29/32 O.D.)
<b>7.380 BOLT-BRACKET, Shock Absorber</b>					
63-66	Y (EXC. SP. H/PER. F.I.)	3815933	2	1.50	BOLT, RR, UPR END (7/16-20 X 2 1/4) (O. 662)
67-69	Y	3815933	2	1.50	BOLT, RR, UPR END (7/16-20 X 2 1/4) (O. 662)
53-57	Y	3688548	2	2.95	BRACKET, FRT,LWR (DBL. ACTING)
58-59	Y (EXC. H.D. BRY. SUSP.)	3688548	2	2.95	BRACKET, FRT,LWR (DBL. ACTING)
60-62	Y	3688548	2	2.95	BRACKET, FRT,LWR (DBL. ACTING)
<b>7.388 GROMMET, Shock Absorber</b>					
53-82	Y	3735334	4	.35	GROMMET, RR,LWR (RUBBER) (5/8 I.D.)
53-79	Y	6270752	4	.44	GROMMET, LWR,UPR END (7.244)
65-82	Y	3790341	AR	.38	GROMMET, FRT,UPR
<b>7.389 RETAINER, Shock Absorber</b>					
53-89	Y	4941130	AR	.20	RETAINER, FRT AND RR (25/64 I.D. X 1 1/4 O.D.) (7.245)
56-82	Y (EXC. AIR LIFT)	3714310	AR	1.10	RETAINER, LWR GROMMET OTR (1/2 I.D. X 1 1/4 O.D.)
76-81	Y	4941130	AR	.20	RETAINER, FRT AND RR (25/64 I.D. X 1 1/4 O.D.) (7.245)
<b>7.395 BRACKET-NUT, Shock Absorber Anchor</b>					
63-82	Y	3819644	2	3.70	BRACKET, RR
53-64	Y	3691530	AR	.36	NUT, FRT (5.383)
<b>7.412 SPRING-SPRINGS, Front Chassis</b>					
NOTE: SEE SPRING CHART SECTION AT THE END OF 7.000 GROUP FOR YEARS 1972 TO 1982					
NOTE 1: PART NUMBER TAPED ON SPRING.					
53-59	Y (EXC. H.D. BRAKE/SUSP.)	3756540	2	53.00	SPRING (DOT OF BLACK PAINT ON 2ND COIL FROM WR. END) (13 1/4 FREE HEIGHT)
57-59	Y W/H.D. BRAKE/SUSP.	3748140	2	46.00	SPRING (GRAY) (11 1/8 FREE HEIGHT)
60-62	Y	3756540	2	53.00	SPRING (DOT OF BLACK PAINT ON 2ND COIL FROM WR. END) (13 1/4 FREE HEIGHT)
63-71	Y W/SP. PERF. SUSP., H.D. SUSP.	3832518	2	31.75	SPRING (DK GREEN)
64	Y (2ND DESIGN)	3851100	2	46.25	SPRING. (NOTE 1)
64	Y W/A.C. (2ND DESIGN)	3851100	2	46.25	SPRING. (NOTE 1)
65-66	Y (EXC. H.D. SP. PER. SUSP.)	3851100	2	46.25	SPRING. (NOTE 1)
66	Y W/A.C.	3888251	2	48.75	SPRING. (NOTE 1)
66-67	Y W/A.C. (427 H/PERF.) (2ND DESIGN 1966)	3888251	2	48.75	SPRING. (NOTE 1)
66	Y W/427 H/PER, SP H/PER)	3888250	2	45.75	SPRING. (NOTE 1)
67	Y (EXC H.D., SP PERF SUSP, 427)	3851100	2	46.25	SPRING. (NOTE 1)
67	Y W/427 H/PER, (EXC A.C.)	3888250	2	45.75	SPRING. (NOTE 1)
67	Y W/427 H/PER, (EXC SP. PERF. SUSP)	3888250	2	45.75	SPRING. (NOTE 1)
68-71	Y (EXC SPEC PERF SUSP. 427, 454, A.C.)	331316	2	31.75	SPRING. (NOTE 1)
68-71	Y (427, 454 SPEC H/PER) (EXC SPEC PERF SUSP)	331316	2	35.75	SPRING. (NOTE 1)
68-71	Y (427, 454) W/A.C.	3931826	2	48.50	SPRING. (NOTE 1)
68-71	Y W/A.C. (EXC 427, 454)	3931824	2	44.25	SPRING. (NOTE 1)
<b>7.447 FITTING-TEE, Auto Shock Absorber</b>					
69	Y (427) W/A.C.	354513	1	2.45	FITTING, VAC INLET MANIF
64-69	Y	338015	1	1.75	TEE, SPECIAL (1/8-18) TWO 1/4 HOSE TAKE OFF (3.278)
65-72	Y	338013	1	2.25	TEE (3/8-18 PIPE THD 1 1/4 HOSE TAKE OFF) (3.278)
65-69	Y	3891526	1	1.80	TEE, 3/8 HOSE TAKE OFF(3.278)

**FRAMES-SPRINGS-SHOCKS-BUMPERS**

<b>7.447 FITTING-TEE, Auto Shock Absorber (Con't)</b>					
68-89	Y W/T.H., (427 H/PER) (EXC P.B.)	354513	1	2.45	TEE.
<b>7.495 LINER, Rear Leaf Spring</b>					
NOTE 1: CUT TO LENGTH.					
63-74	Y	3794113	1	3.95	LINER, RR (NO 1 THRU 6) (NOTE 1)
78-82	Y	482589	AR	7.50	LINER, RR SPR (NOTE 1)
78-80	Y W/H.D. SUSP (FE7)	3794113	1	3.95	LINER, RR (NO 1 THRU 6) (NOTE 1)
<b>7.503 SPRING-SPRINGS, Rear Chassis</b>					
NOTE: SEE SPRING CHART SECTION AT THE END OF 7.000 GROUP FOR YEARS 1973-1981.					
63-77	Y (EXC H.D. SUSP, SP PER SUSP)	362153	1	264.00	SPRING (10 LEAVES)
63-75	Y W/H.D. SUSP, SP PER SUSP	354130	1	244.00	SPRING (7 LEAVES)
82	Y (EXC H.D. SUSP FE7)	9767199	1	264.00	SPRING (FIBERGLASS LEAF)
82	Y W/H.D. SUSP (FE7)	14021604	1	253.00	SPRING.
<b>7.504 BUSHING, Rear Spring</b>					
53-62	Y	1427894	AR	1.75	BUSHING, FRONT EYE (5/8 I.D. X 1 1/4 O.D. X 1 9/32 O.L.)
<b>7.506 BOLT, Rear Spring</b>					
53-72	Y	3723010	2	3.55	BOLT, FILL. PLAIN HD. (5/16-24 X 3 5/8)
63-75	Y	458982	2	6.70	BOLT, REAR (9/16-18 X 6 1/2)
<b>7.516 NUT-U BOLT, Rear Spring and Shock Absorber Anchor Plate</b>					
53-64	Y	3691530	AR	.36	NUT (1/2-20) (5.383)
56-62	Y	3723981	AR	2.85	U BOLT, RR SPRING
<b>7.518 PLATE-SPACER, Rear Spring and Shock Absorber Anchor</b>					
NOTE 1: SPRING (WHITE CODE) 1-BETWEEN SPRING AND DIFFERENTIAL CARRIER, 1-BETWEEN SPRING AND PLATE. SPRING (GREEN CODE) 2-BETWEEN SPRING AND DIFFERENTIAL CARRIER. SPRING (RED CODE) 2-BETWEEN SPRING AND PLATE.					
63-77	Y	3817582	1	6.30	PLATE, ANCHOR
78-79	Y	457977	1	3.60	PLATE.
80	Y	14010398	1	2.05	PLATE.
81-82	Y	14030188	1	2.05	PLATE.
78-79	Y	459032	2	.91	SPACER.
80	Y (EXC H.D. SUSP FE7)	14030191	2	11.55	SPACER.
81-82	Y (EXC H.D. SUSP FE7)	3849370	1	.40	SPACER (.50 X .72 X .196)
81-82	Y (EXC H.D. SUSP FE7)	14030190	1	.90	SPACER, PLATE TO DIFF
81-82	Y (EXC H.D. SUSP FE7)	14030191	2	11.55	SPACER, (NOTE 1)
<b>7.523 SHACKLE KIT, Rear Spring</b>					
53-62	Y	3707891	2	9.70	SHACKLE KIT (RUBBER BUSHING TYPE)
<b>7.524 BUSHING, Rear Spring Shackle</b>					
53-62	Y	3706419	8	1.70	BUSHING, SHACKLE (RUBBER 1 O.D.)
75-82	Y	3743857	4	3.85	BUSHING, RR SUSP TORQUE CONT ARM (5.381)
<b>7.529 BOLT-NUT-PIN-RETAINER-UNIT, Rear Spring and Axle</b>					
NOTE 1: CONSISTS OF BOLT 458982, RETAINER 3910701, CUSHION 3831586, NUT 125258, RETAINER 3831587 & PIN 103387.					
63-81	Y	458982	AR	6.70	BOLT.
63-74	Y	3833488	4	2.35	BOLT, RR SPR PLT (9/16-12 X 3 1/8)
53-81	Y	3863559	AR	.44	NUT, SLOTTED (3/8-16)
53-62	Y	1433914	2	12.30	PIN, FRT EYE, RR SPR (3 23/32 O.L.)
63-82	Y	3831587	4	.71	RETAINER, RR SPR CUSH OTR (7.503)
63-80	Y	14029851	1	23.15	UNIT, RR SPR OTR ATCH (NOTE 1)
<b>7.535 BUMPER-SPACER, Rear Spring</b>					
62	Y W/H.D. BRAKE/SUSP.	3858017	2	1.30	BUMPER (1 5/8 DIA., 2 HIGH) (5.395)
78-82	Y	483746	2	1.80	BUMPER.
78-80	Y W/H.D. SUSP (FE7)	480808	1	12.30	SPACER.
<b>7.545 CUSHION-INSULATOR-RETAINER, Rear Spring</b>					
63-82	Y	3831586	4	.60	CUSHION.
81-82	Y (EXC H.D. SUSP FE7)	14030189	1	1.65	INSULATOR.
63-82	Y	3831587	4	.71	RETAINER, CUSH OTR (7.503)
63-82	Y	3910701	2	.30	RETAINER, CUSH INR
<b>7.629 BRACKET-CARRIER-COVER-HANGER-SUPPORT-TRAY, Spare Wheel</b>					
68-82	Y	3914224	1	8.00	BRACKET, SPA WHL STRAP
77-82	Y	14030151	1	19.05	CARRIER, SPA WHL

**FRAMES-SPRINGS-SHOCKS-BUMPERS**

**7.629 BRACKET-CARRIER-COVER-HANGER-SUPPORT-TRAY, Spare Wheel  
(Con't)**

63-66 Y	.....	3886899	1	112.00	COVER, SPA WHL
68-82 Y	.....	14011839	1	23.85	COVER, SPA WHL
80-82 Y	.....	14030152	2	1.80	HANGER, SPA WHL CARR
78-82 Y	.....	471905	1	4.25	SUPPORT, SPA WHL STRAP BRKT
63-67 Y	.....	3841700	1	52.25	TRAY, WHL
68-82 Y	.....	3914225	1	54.25	TRAY, WHL

**7.632 BOLT, Spare Wheel Mounting**

53-79 Y	.....	9789654	AR	.57	BOLT (ROUND HEAD) (.3155-18-5 255M) (STEEL)
57-79 Y	.....	3991022	1	5.40	BOLT, CROSS STRAP (1/2-13 X 10 7/32)
63-74 Y	.....	3933819	1	5.40	BOLT, WHL STRAP LATCH LK BOLT (7/16-14 X 7")
68-79 Y	.....	3956389	2	3.75	BOLT, SPA WHL STRAP
75-77 Y	.....	345476	1	4.90	BOLT, SPA WHL LATCH LK
78-82 Y	.....	471903	1	5.30	BOLT, SPA WHL LATCH LK

**7.633 NUT, Spare Wheel Carrier**

53-78 Y	.....	3682846	AR	1.35	NUT, SPA WHL LOCK (HEX) (7/16-20)
55-82 Y	.....	9785616	AR	1.40	NUT, WING TYPE (STEEL) (5/16-18)
74-82 Y	.....	3841465	1	1.25	NUT, SPA WHL STRAP LAT BOLT

**7.675 COVER-CYLINDER, Wheel Carrier Lock**

NOTE 1: SEE GROUP 10.553 FOR TUMBLER UNIT, SPRING UNIT, AND RETAINER USED WITH LOCK CYLINDERS.

63-79 Y	.....	3841701	1	1.50	COVER,
63-79 Y	.....	3912416	1	16.85	CYLINDER, W/CASE, SPA WHL LOCK (B&S 605169) (NOTE 1)

**7.800 BAR-BEZEL-BRACKET-BUMPER-EMBLEM-FRAME-NUT-SCREW,  
License Plate**

NOTE 1: FOR FLUSH MTD. PLATES CUT OFF EXT. ABOVE FLANGE.

58-62 Y	.....	3736263	1	18.05	BAR, FRT BRKT
63-67 Y	.....	3797486	1	29.75	BEZEL, RR
68-73 Y	.....	3919715	1	27.25	BEZEL, RR
58-62 Y	.....	3736244	1	44.00	BRACKET, FRT
63-67 Y	.....	3878898	1	2.15	BRACKET, FRT
68-72 Y	.....	3919711	1	4.15	BRACKET, FRT
73-74 Y	.....	327643	1	3.00	BRACKET, FRT
75-79 Y	.....	339142	1	1.50	BRACKET, RR
75-79 Y	.....	347929	1	11.10	BRACKET, FRT
80-82 Y	.....	14015274	1	.40	BRACKET, RR
55-60 Y	.....	3711168	1	.36	BUMPER, RR (9/16 DIA. X 1/2 LONG)
61-80 Y	.....	3981333	1	.44	BUMPER, FRT
62-75 Y	.....	3782180	AR	.45	BUMPER, FRT (9/16 DIA. X 1/2) (8.024)
75-79 Y	.....	355385	1	9.55	EMBLEM, FRT FILLER (CORVETTE)
80-82 Y	W/FRT EMB (BY8)	14016175	1	9.55	EMBLEM, FRT LIC PLT FIL
63-75 Y	.....	3797485	2	10.90	FRAME, FRT AND RR
60-78 Y	.....	559547	AR	.54	NUT, FRT AND RR (SPECIAL SPRING 1/4- 14) (NOTE 1)
63 Y	.....	3783004	AR	.33	NUT, FRT AND RR ATTACH (NO. 10 ANCHOR)
76-82 Y	.....	559547	AR	.54	NUT, METRIC NY ANC (1/4-14) (9.7 SQ. HOLE)
79-82 Y	.....	14069636	2	.26	SCREW, RR LIC LP

**7.828 FILLER-GUARD-REINFORCEMENT, Bumper Guard**

73-74 Y	.....	334751	LH	7.50	FILLER, FRT BPR GUARD REINF
73-74 Y	.....	334752	RH	7.50	FILLER, FRT BPR GUARD REINF
68-69 Y	.....	377313	LH	55.00	GUARD, BPR FRT
68-69 Y	.....	377314	RH	55.00	GUARD, BPR FRT
70-72 Y	.....	3963127	LH	55.00	GUARD, BPR FRT
70-72 Y	.....	3963128	RH	55.00	GUARD, BPR FRT
73-74 Y	.....	331829	LH	26.50	REINFORCEMENT, FRT BPR GUARD
73-74 Y	.....	331830	RH	26.50	REINFORCEMENT, FRT BPR GUARD

**7.829 BOLT-CLIP-REINFORCEMENT, Energy Absorber Bar Guide**

80-82 Y	.....	549791	4	.44	BOLT, RR TOWING BRACKET
73-82 Y	.....	582327	AR	.44	CLIP, BPR (3/8 X 5/8 HOLE) (STEEL)
75-79 Y	.....	347927	LH	27.75	REINFORCEMENT, FRT
75-79 Y	.....	347928	RH	27.75	REINFORCEMENT, FRT

**FRAMES-SPRINGS-SHOCKS-BUMPERS**

**7.831 BAR-BAR KIT-BUMPER-COVER-FILLER-MEMBER-NUT-REINFORCEMENT-RETAINER-STRIP, Bumper Face**

68-80 Y	3739385	LH	158.00	BAR, FRT
61-82 Y	3782291	LH	158.00	BAR, FRT
83-87 Y	3797231	LH	153.00	BAR, RR
83-87 Y	3797232	RH	153.00	BAR, RR
83-87 Y	3797337	LH	171.00	BAR, FRT
83-87 Y	3797338	RH	171.00	BAR, FRT
68-72 Y	3974008	1	143.00	BAR, FRT (Z-SHAPED BUMPER GUARD BRKT)
73-74 Y	327625	1	78.00	BAR, FRT
75-79 Y	382949	1	104.00	BAR, ENERGY ABS FRT
77-79 Y	371435	1	218.00	BAR, RR BPR IMPACT OTR (USED WITH BAR KIT 462277)
80-82 Y	14007091	1	104.00	BAR, ENERGY ABS FRT
80-82 Y	4028581	1	87.75	BAR, RR BPR IMPACT
75-76 Y (1ST DESIGN 1976)	352703	1	313.00	BAR KIT, RR BPR IMPACT (1 PIECE CONSTRUCTION)
76-79 Y (2ND DESIGN 1976)	462277	1	311.00	BAR KIT, RR BPR IMPACT INR (USED W/OTR BAR 371435)
68-73 Y	3922069	LH	114.00	BUMPER, RR
68-73 Y	3922070	RH	114.00	BUMPER, RR
80-82 Y	14041156	1	215.00	COVER, FRT ENERGY ABS BAR
80-82 Y	14041157	1	420.00	COVER, RR BPR IMPACT BAR
73-74 Y	331872	1	8.80	FILLER, FRT FACE BAR
74 Y	342283	LH	3.65	FILLER, RR BPR IMPACT BAR INR
74 Y	342284	RH	3.65	FILLER, RR BPR IMPACT BAR INR
68-72 Y	3954506	1	47.25	MEMBER, FRT BPR CROSS
79-82 Y	22516030	AR	.33	NUT, HWH THREAD FORMING (M6.3X1.81)
74-75 Y	339125	1	13.85	REINFORCEMENT, RR BPR IMPACT BAR
75-79 Y	347930	1	114.00	REINFORCEMENT, FRT BPR IMPACT BAR
76-79 Y	388329	LH	6.15	REINFORCEMENT, FRT BPR OTR
78-79 Y	388330	RH	6.15	REINFORCEMENT, FRT BPR OTR
80-82 Y	14018859	LH	3.25	REINFORCEMENT, FRT BPR FACIA
80-82 Y	14018860	RH	3.25	REINFORCEMENT, FRT BPR FACIA
75-82 Y	1605396	AR	.55	RETAINER (.250X0.450 PUSH-IN .700 TRUSS HD)
76-79 Y	368619	LH	4.20	STRIP, FRT BPR OTR (RUB)
76-79 Y	368620	RH	4.20	STRIP, FRT BPR OTR (RUB)

**7.832 COVER-RETAINER-STRIP-TAPE, Bumper**

NOTE 1: (URETHANE) PAINT AS REQUIRED.

NOTE 2: RETAINERS 461053 T/W 461054 T/W 461136 REPLACE 1ST DESIGN RETAINER ASM.

NOTE 3: THREE-PIECE CONSTRUCTION.

NOTE 4: NO DEPRESSION FOR BODY NAME PLATE.

73-74 Y	6283597	1	206.00	COVER, FRT
74 Y	339195	1	488.00	COVER, RR (NOTE 1)
75-79 Y	345495	1	191.00	COVER, FRT BAR
75-79 Y	380000	1	477.00	COVER, RR (NOTE 4)
73-79 Y	331843	LH	3.50	RETAINER, FRT BAR CVR
73-79 Y	331844	RH	3.50	RETAINER, FRT BAR CVR
74 Y	331839	1	6.95	RETAINER, E/A FRT BAR CVR UPR
74-75 Y	331840	1	10.65	RETAINER, E/A FRT BAR CVR LWR
74-79 Y	339123	LH	6.70	RETAINER, RR BPR CVR (OTR)
74-79 Y	339124	RH	6.70	RETAINER, RR BPR CVR (OTR)
74-79 Y	468185	LH	4.15	RETAINER, RR BPR IMPACT BAR CVR CTR (UPR)
74-77 Y	468186	RH	4.15	RETAINER, RR BPR IMPACT BAR CVR CTR (UPR)
74-79 Y	468186	RH	4.15	RETAINER, RR BPR CVR (UPR)
75-77 Y (2ND DESIGN 1976)	461053	LH	5.30	RETAINER, E/A FRT CVR UPR OTR (NOTE 2, 3)
75-77 Y (2ND DESIGN 1976)	461054	RH	5.30	RETAINER, E/A FRT CVR UPR OTR (NOTE 2, 3)
75-77 Y (2ND DESIGN 1976)	461136	1	5.45	RETAINER, E/A FRT CVR UPR CTR (NOTE 2, 3)
80-82 Y	14011841	LH	5.30	RETAINER, E/A FRT BAR CVR LWR
80-82 Y	14011842	RH	5.30	RETAINER, E/A FRT BAR CVR LWR
80-82 Y	14011843	LH	4.90	RETAINER, E/A FRT BAR CVR UPR QTH
80-82 Y	14011844	RH	4.90	RETAINER, ENERGY ABS FRT BAR CVR UPR QTR
80-82 Y	14011845	1	4.90	RETAINER, ENERGY ABS FRT BAR CVR LWR
80-82 Y	14011847	LH	5.45	RETAINER, RR BPR IMPACT BAR CVR
80-82 Y	14011848	RH	5.45	RETAINER, RR BPR IMPACT BAR CVR

**FRAMES-SPRINGS-SHOCKS-BUMPERS**

**7.832 COVER-RETAINER-STRIPE-TAPE, Bumper (Con't)**

81-82	Y	14030194	1	32.00	STRIPE, FRT BPR FASCIA(BLUE-25A)
81-82	Y	14030196	1	32.25	STRIPE, FRT BPR FASCIA(RED-77A)
81-82	Y	14030197	1	32.25	STRIPE, FRT BPR FASCIA(GRAY-83A)
81-82	Y	14030198	1	14.65	STRIPE, RR BPR FASCIA(BLUE-25A)
81-82	Y	14030200	1	14.30	STRIPE, RR BPR FASCIA(RED-77A)
81-82	Y	14038241	1	14.55	STRIPE, RR BPR FASCIA(GRAY-83A)
82	Y	14045947	1	4.15	STRIPE, RR LIC PLT PKT UPR(DK BEIGE)
82	Y07	14045943	LH	4.95	STRIPE, FRT BPR FASCIA LWR(DK BEIGE)
82	Y07	14045944	RH	4.95	STRIPE, FRT BPR FASCIA LWR(DK BEIGE)
82	Y07	14045945	1	14.95	STRIPE, FRT BPR FASCIA UPR(DK BEIGE)
82	Y07	14045946	1	10.25	STRIPE, RR BPR FASCIA UPR(DK BEIGE)
82	Y07	14045948	1	3.30	STRIPE, RR LIC PLT PKT LWR(DK BEIGE)
78	Y W/ACNT STRIPE (D88), B2Z	473261	1	26.50	TAPE, FRT ACNT STRIPE (SVL MET, GRAY MET)
78	Y W/ACNT STRIPE (D88), B2Z	473262	1	12.45	TAPE, RR ACNT STRIPE (SVL MET, GRAY MET)
78	Y W/ACNT STRIPE (D88), Z78	476265	1	26.50	TAPE, FRT ACNT STRIPE (RED, SILVER)
78	Y W/ACNT STRIPE (D88), Z78	476266	1	12.45	TAPE, RR ACNT STRIPE (RED, SILVER)

**7.833 BUMPER-DEFLECTOR-GROMMET-NUT-RETAINER-SEAL-WASHER, Bumper to Body**

NOTE 1- PAINT TO MATCH.

58-61	Y	3762180	AR	.45	BUMPER, USED AS FRONT BUMPER FACE BAR VALANCE ASM. SPACER (RUBBER-1/2 DIA.) (8.024)
78-79	Y W/D75	14009716	1	137.00	DEFLECTOR, FRT BPR AIR CTR (NOTE 1)
78-79	Y W/D75	14009717	LH	74.25	DEFLECTOR, FRT BPR AIR OTR (NOTE 1)
78-79	Y W/D75	14009718	RH	74.25	DEFLECTOR, FRT BPR AIR OTR (NOTE 1)
78-79	Y	371429	1	.59	GROMMET, RR BPR INR
64-78	Y	3945694	AR	1.40	NUT, SPR. (.040-.090 PNL) (5/16-18 X 1/2 PC)
78	Y	3083100	4	.37	NUT, W/WASHER, FRT BPR AIR DEFL QTR (10.527)
80-82	Y	14011846	1	8.20	RETAINER, RR BPR FASCIA CTR
80-82	Y	14016186	2	3.80	RETAINER, FRT BPR AIR CTR DFL
58-60	Y	3739338	4	4.15	SEAL, RR FACE BAR BRACE TO BODY
68-72	Y	3947927	2	.85	SEAL, FRT BPR BRACE
73-79	Y	331842	2	.64	SEAL, FRT BPR BRACE
79-82	Y	3813432	2	.33	WASHER, RAD FAN SHRD

**7.836 BRACE-EXTENSION-PLATE-ROD-SUPPORT, Bumper**

58-62	Y	3739313	LH	8.35	BRACE, FRAME TO BPR, INR
58-62	Y	3739314	RH	8.35	BRACE, FRAME TO BPR, INR
58-62	Y	3739325	LH	15.35	BRACE, FRAME TO BPR, OTR
58-62	Y	3739326	RH	15.35	BRACE, FRAME TO BPR, OTR
63-64	Y	3848213	LH	22.40	BRACE, FRAME TO BPR, FRT, CTR
63-64	Y	3848214	RH	20.00	BRACE, FRAME TO BPR, FRT, CTR
63-67	Y	3848217	LH	8.85	BRACE, FRAME TO BPR, FRT, OTR
63-67	Y	3848218	RH	8.85	BRACE, FRAME TO BPR, FRT, OTR
63-67	Y	3848219	LH	35.25	BRACE, FRAME TO BPR, FRT, INR
63-67	Y	3848220	RH	35.25	BRACE, FRAME TO BPR, FRT, INR
63-67	Y	3848221	LH	4.60	BRACE, OTR
63-67	Y	3848222	RH	2.90	BRACE, OTR
63-67	Y	3848225	LH	2.90	BRACE, INR, UPR
63-67	Y	3848226	RH	2.90	BRACE, INR, UPR
66-67	Y	3866405	LH	20.00	BRACE, FRAME TO BPR, BPR, CTR
66-67	Y	3866406	RH	20.00	BRACE, FRAME TO BPR, BPR, CTR
68	Y	3914257	LH	9.65	BRACE, FRAME TO BPR, FRT, OTR
68	Y	3914258	RH	9.65	BRACE, FRAME TO BPR, FRT, OTR
68-73	Y	3932943	LH	4.75	BRACE, RR OTR
68-73	Y	3932944	RH	5.95	BRACE, RR OTR
68-73	Y	3937055	2	9.90	BRACE, INR, FRT LH AND RH
68-72	Y	3937057	LH	6.50	BRACE, INR, RR
68-72	Y	3937058	RH	4.75	BRACE, INR, RR
68-72	Y	3980824	1	35.25	BRACE, CTR, FRT
69	Y	3958795	LH	13.55	BRACE, FRT BPR OTR
69	Y	3958796	RH	13.55	BRACE, FRT BPR OTR
70-72	Y	3984157	LH	14.15	BRACE, FRT OTR
70-72	Y	3984158	RH	14.15	BRACE, FRT OTR
73-74	Y	327863	LH	10.85	BRACE, FRT BPR OTR
73-74	Y	327864	RH	10.85	BRACE, FRT BPR OTR
73	Y	331865	2	2.90	BRACE, RR BPR INR RR LH AND RH
74-75	Y	342233	2	8.70	BRACE, RR BPR IMPACT BAR
75-79	Y	368331	LH	10.20	BRACE, ABS FRT BAR OTR
75-79	Y	368332	RH	10.20	BRACE, ABS FRT BAR OTR

**FRAMES-SPRINGS-SHOCKS-BUMPERS**

<b>7.836</b>		<b>BRACE-EXTENSION-PLATE-ROD-SUPPORT, Bumper (Con't)</b>		
80-82 Y	14007089	LH	24.25	BRACE, E/A FRT BAR OTR
80-82 Y	14007090	RH	24.25	BRACE, E/A FRT BAR OTR
88-89 Y	3922078	RH	3.15	EXTENSION, FRT BPR OTR BRKT
88-72 Y	3932845	LH	2.80	EXTENSION, FRT C/MBR BRKT
88-72 Y	3932846	RH	2.80	EXTENSION, FRT C/MBR BRKT
88-72 Y	3958797	LH	11.60	EXTENSION, FRT BPR TO FRAME
88-72 Y	3958798	RH	11.60	EXTENSION, FRT BPR TO FRAME
70-72 Y	3964159	2	2.95	EXTENSION, FRT OTR BRACE
73-74 Y	327661	2	4.25	EXTENSION, FRT BPR BAR OTR
73-74 Y	342234	1	389.00	EXTENSION, FRT BAR TO FRAME
75-79 Y	345471	1	389.00	EXTENSION, FRT BAR TO FRAME
75-79 Y	347931	1	11.40	EXTENSION, FRT BAR
80-82 Y	14028559	1	216.00	EXTENSION, E/A FRT BAR TO FRAME
80-82 Y	10005229	2	4.15	PLATE, RR BPR STUD
88-73 Y	331864	2	2.75	ROD, RR BPR
72-73 Y	331867	LH	2.50	ROD, RR BPR OTR
72-73 Y	331868	RH	2.50	ROD, RR BPR OTR
73 Y	334797	LH	2.20	ROD, FRT BPR EXT BR
73 Y	334798	RH	2.20	ROD, FRT BPR EXT BR
58-80 Y	3739331	LH	8.35	SUPPORT, GUARD BRKT
58-80 Y	3739332	RH	8.35	SUPPORT, GUARD BRKT

**7.840 ABSORBER-BOLT KIT-BRACKET-CUSHION-RETAINER-RIVET-SHIM-SPACER-STRIP-SUPPORT-WASHER, Bumper Energy Absorber**

NOTE 1: WHEN USED IN PLACE OF 359991 FOR 1975-76, IT IS NECESSARY TO REDRILL THE REAR ATTACHING HOLE .22 REARWARD.

NOTE 2: 1ST DESIGN NOT AVAILABLE; FOR 2ND DESIGN SEE GRP 7.832.

NOTE 3: FOUR PIECE CONSTRUCTION CONSISTS OF 470857-470660.

75-78 Y	22017310	2	N.L.	ABSORBER, RR
80-82 Y	22017199	2	40.05	ABSORBER, RR
74-75 Y	339118	1	22.40	BOLT KIT, ENERGY ABS FRT AND RR
75-79 Y	457978	2	1.60	BRACKET, FRT BPR ABS
80-82 Y	525739	2	3.75	BRACKET, RR BPR ABS
75-79 Y	362952	1	107.00	CUSHION, FRT BUMPER ABS
80-82 Y	3842913	1	2.45	CUSHION, ENERGY ABS FRT BAR EXT (STEEL & RUBBER) (9.023)
80-82 Y	3842914	1	1.05	CUSHION, ENERGY ABS FRT BAR EXT (9.023) (RUBBER)
80-82 Y	14006996	1	109.00	CUSHION, ENERGY ABS FRT BAR
74-75 Y	273366	AR	.33	RETAINER, FRT AND RR BPR IMPACT BAR CVR
75-79 Y	355325	1	10.35	RETAINER, ENERGY ABS FRT BAR CVR LWR
77-79 Y (3RD DESIGN)	470857	LH	4.90	RETAINER, ENERGY ABS FRT BAR CVR UPR OTR (NOTE 2, 3)
77-79 Y (3RD DESIGN)	470858	RH	4.90	RETAINER, ENERGY ABS FRT BAR CVR UPR OTR (NOTE 2, 3)
77-79 Y (3RD DESIGN)	470859	LH	2.60	RETAINER, ENERGY ABS FRT BAR CVR UPR CTR (NOTE 2, 3)
77-79 Y (3RD DESIGN)	470860	RH	2.60	RETAINER, ENERGY ABS FRT BAR CVR UPR CTR (NOTE 2, 3)
74 Y	187992	8	.28	RIVET, RR BPR IMPACT BAR CVR REINF
76-79 Y	371420	2	1.05	SHIM, ENERGY ABS FRT BAR OTR CUSH
75-78 Y	3899215	1	.54	SPACER, ENERGY ABS FRT BAR (4.790)
80-82 Y	14011489	LH	16.90	STRIP, RR BPR IMPACT BAR
80-82 Y	14011490	RH	16.90	STRIP, RR BPR IMPACT BAR
75-79 Y	462278	1	31.25	SUPPORT, W/CUSHIONS, RR BPR IMPACT BAR CVR (NOTE 1)
73-81 Y	3818180	2	.40	WASHER, ABS FRT BAR TO BRACE (.453 PL) (0.002)
80-81 Y	3918493	4	.37	WASHER, ENERGY ABS FRT BAR BR (5.418)

**7.865 BUSHING-RETAINER-ROD-SHIM-WASHER, Bumper Mounting**

72-73 Y	6243571	1	1.60	BUSHING, RR QTR PNL
76 Y	9436766	6	.33	RETAINER, RR IMPACT BAR CVR
74 Y	342235	2	5.10	ROD, ENERGY ABS FRT BAR EXT BRACE
58-82 Y	3714962	AR	.35	SHIM, FRT AND RR BRACE
73-74 Y	331863	2	1.25	SHIM, FRT TO FRAME EXT
74-78 Y	493267	AR	4.90	SHIM (.120)
75-79 Y	347936	AR	3.25	SHIM, FRT CTR (THIN)
75-79 Y	347937	AR	2.85	SHIM, FRT OTR (THICK)
75-79 Y	473279	AR	3.25	SHIM, RR
82 Y	10005798	AR	4.40	SHIM, FRT & RR BPR IMP BAR (STRAIGHT)

**FRAMES-SPRINGS-SHOCKS-BUMPERS**

<b>7.865</b>		<b>BUSHING-RETAINER-ROD-SHIM-WASHER, Bumper Mounting</b>			
		<b>(Con't)</b>			
68-82	Y	1362249	AR	.50	WASHER, FRT AND RR (1/2 I.D. X 1 1/4 O.D. X 1/8)
68-71	Y	6256884	2	.28	WASHER, FRT. GUARD BRKT. (7/16 I.D. X 49/64 O.D. X 9/64 THK.) (0.030)
75-76	Y	120394	3	.21	WASHER, FRT BAR IMPACT BAR REINF (25/64 THICK)
<b>7.869</b>		<b>BRACKET, Bumper Mounting</b>			
73-74	Y	327644	2	25.25	BRACKET, FRT BPR INR
75-79	Y	345500	2	21.75	BRACKET, RR IMPACT BAR, INR
75-79	Y	347901	LH	28.50	BRACKET, RR IMPACT BAR, OTR
75-79	Y	347902	RH	28.50	BRACKET, RR IMPACT BAR, OTR
<b>7.874</b>		<b>BOLT-RETAINER, Bumper Mounting</b>			
61-62	Y	3716509	RH	.92	BOLT, FRT AND RR, RAD GRILL AND BPR GUARD, RR BPR & CTR FACE BAR, RR BPR OTR FACE, FRT BPR OTR FACE BAR TO BRKT (ST STEEL 7/16-14 X 1 1/4")
68-72	Y	3926435	2	.45	BOLT, FRT FRAME EXT (1/2"-13 X 1)
75-79	Y	355342	2	2.55	BOLT, FRT IMPACT BAR REINF
75-79	Y	347916	2	5.45	RETAINER, RR BPR



## 1972 CORVETTE

*NOTE: In order to utilize the 1972 Spring Chart begin with the base sprung weight. Select all options and their weight and add or subtract accordingly to the base weight. Once accumulated weight has been determined refer to the part number chart and select correct spring.*

BASE AND RPO FRONT SPRINGS	COMBINATION	POUNDS	MODELS 19437 SPRUNG WEIGHT	19467 SPRUNG WEIGHT
Base	(Only)	0	677.5	662.5
A-31	(Only)	2.5		
A-85	(Only)	.5		
CO-7	(Only)	4.0		
CO-8	(Only)	.5		
C-60	w/LS-5 (Only)	35.0		
C-60	w/M-40 (exc. LS-5)	33.0		
C-60	(exc. M-40, LS-5)	39.0		
F-41	(Only)	2.0		
J-50	(Only)	4.0		
J-56	(Only)	4.0		
LS-5	(Only)	99.5		
LT-1	(Only)	11.5		
M-22	(Only)	18.0		
M-40	w/LS-5 (exc. C-60)	18.0		
M-40	(exc. LS-5, C-60)	28.0		
NB-2	(Only)	7.5		
N-37	(Only)	1.0		
N-40	w/LS-5 (Only)	13.0		
N-40	(exc. LS-5) (Only)	12.0		
T-60	(Only)	.5		
U-69	(Only)	3.0		
U-78	(Only)	1.0		
VO-1	(Only)	8.0		

ENGINE	SUSP.	SPRING NUMBER	SPRING WEIGHT
350	STD.	331318	0 thru 702
		3931824	Over 702
454	STD.	331317	0 thru 777
		3931828	Over 777
350 w/Sp. H/Per.	F-41 (Perf. Susp.)	3832518	All

Follow the three steps below to utilize the 1973 spring charts.

1. Select the model desired with the base spring weight on Chart "A".
2. Then select options accordingly shown on Chart "B" and add that weight to the base spring weight.
3. Once accumulated weight has been determined refer to chart "C" and select correct spring.

**CHART "A"**  
**1973 CORVETTE**

	MODEL	FRONT	REAR
YZ-37	Coupe	703.5	734.0
YZ-67	Conv.	699.0	742.0

**CHART "B"**  
**1973 CORVETTE**

	RPO OPTIONS	FRONT	REAR
A-31	Power Windows	2.0	1.5
C-07	Auxiliary Top	4.0	23.0
C-60	Air Conditioning	38.0	9.5
L-S4	(454)	94.0	11.5
L-82	(350) (Sp. H/Per.)	18.0	3.0
M-40	T.H. 400	18.5	8.5
N-40	Power Steering	13.5	0.5
Radio	Radio	5.5	3.5

**CHART "C"**  
**1973 CORVETTE**

SUSP.	CODE	FRONT SPRUNG WEIGHT	PART NUMBER	CODE	REAR SPRUNG WEIGHT	PART NUMBER
Std.	MA	0-768	331316	EA	All	370388
	MD	769-806	331317			
	ME	807-844	331318			
	MG	Over-844	331319			
H.D. Susp.	EA	All	3832518	EB	All	370350

**1974 CORVETTE**

Follow the three steps below to utilize the 1974 spring charts.

1. Select the model desired with the base spring weight on Chart "A".
2. Then select options accordingly shown on Chart "B" and add that weight to the base spring weight.
3. Once accumulated weight has been determined refer to Chart "C" and select correct spring.

**CHART "A"****1974 CORVETTE**

Base Spring		Weight	
Model		Front	Rear
1Y237	Coupe	704.5	733.5
1Y267	Conv.	701.0	740.0

**CHART "B"****1974 CORVETTE**

RPO	Options	Front	Rear
A31	Power Windows	2.0	1.5
C07	Auxiliary Top	5.0	29.5
C60	Air Conditioning	32.5	8.0
J50	Power Brakes	4.5	0.5
LS4	(454)	88.5	11.0
L82	(350) (Sp. H/Per.)	5.0	1.5
M-40	T.H. 400	16.0	7.5
N-41	Power Steering	13.0	0.5
Radio	Radio	3.5	3.0

**CHART "C"****1974 CORVETTE**

Susp.	Code	Front Sprung Weight	Part Number	Code	Rear Sprung Weight	Part Number
Std.	MA	0-766	331316	EA	All	370388
	MD	767-802	331317			
	ME	803-838	331318			
	MG	Over-838	331319			
H.D. Susp.	AA	All	340519	EM	All	370350

Follow the three steps below to utilize the 1975 spring charts.

1. Select the model desired with the base spring weight on Chart "A".
2. Then select options accordingly shown on Chart "B" and add that weight to the base spring weight.
3. When accumulated weight has been determined refer to chart "C" and select correct spring.

**CHART "A"  
1975 CORVETTE**

MODELS		BASE SPRUNG WEIGHT	
		FRONT	REAR
1YZ37	Corvette 2 Dr. Cpe.	714	784.5
1YZ67	Corvette Convertible	714.5	790.5

**CHART "B"  
1975 CORVETTE**

R.P.O. OPTION WEIGHTS		FRONT	REAR
A31	Power Windows	2.0	1.5
CO7	Auxiliary Top	5.0	29.5
C60	Air Conditioning	32.5	8.0
J50	Power Brakes	4.5	0
L82	350 4 B.C. Spec. Hi Perf. Engine	5.0	1.5
M40	Hydramatic Transmission	18.5	8.5
N41	Power Steering	12.5	0
U58	Stereo Radio	5.5	3.5
U69	AM-FM Radio	3.5	3.5

**CHART "C"  
1975 CORVETTE**

FRONT SPRINGS—GROUP 7.412			REAR SPRINGS—GROUP 7.503		
MODELS	SPRUNG WEIGHT	PART NO.	MODELS	SPRUNG WEIGHT	PART NO.
All (wstd. susp.)	0-774	346939	All (w/std. susp.)	All	370388
	775-Over	346943			
All (w/H.D. susp.)	All	340519	All (w/H.D. susp.)	All	370350

Follow the three steps below to utilize the 1976 spring charts.

1. Select the model desired with the base spring weight on Chart "A".
2. Then select options accordingly shown on Chart "B" and add that weight to the base spring weight.
3. When accumulated weight has been determined refer to chart "C" and select correct spring.

**CHART "A"**  
**1976-78 CORVETTE**

MODELS	BASE SPRUNG WEIGHT	
	FRONT	REAR
1Y237 Corvette 2 Dr. Cpe.	728.5	778 0

**CHART "B"**  
**1976-78 CORVETTE**

N.P.O. OPTION WEIGHTS		FRONT	REAR
A31	Power Windows	2.0	1.5
C60	Air Conditioning	32.5	8.0
J50	Power Brakes	4.5	0
M38	Hydramatic Transmission	10.5	6.5
M40	Hydramatic Transmission	18.5	8.5
N41	Power Steering	12.5	0
U58	Stereo Radio	5.5	3.5
U69	AM-FM Radio	3.5	3.5

**CHART "C"**  
**1976-78 CORVETTE**  
**FRONT SPRINGS — GROUP 7.412**

MODELS	TIRES	SPRUNG WEIGHT	PART NO.
All (exc. H.D. Susp.)	GR70-15	0-760	346939
		761-800	346940
		801 Over	346941
All w/H.D. Susp.	GR70-15	0-720	340519
		721-780	354131
		781-835	362150
		836-Over	362151

**CHART "C"**  
**1976-77 CORVETTE**  
**REAR SPRINGS — GROUP 7.503**

MODELS	TIRES	SPRUNG WEIGHT	PART NO.
All (exc. H.D. Susp.)	GR70-15	All	362153
All w/H.D. Susp.	GR70-15	All	462598

**FRAMES—SPRINGS—SHOCKS—BUMPERS**

**1979 ALL PASSENGER CAR CHASSIS SPRING CHART (Exc. Cadillac)**

To determine correct replacement spring, refer to production code taped to spring on vehicle.

**FRONT**

Production I.D. Code	Service Part Number	Production I.D. Code	Service Part Number	Production I.D. Code	Service Part Number	Production I.D. Code	Service Part Number
AA	340519	AAU	460627	AHU	463833	ASC	370992
AD	346939	AAW	460627	AHW	463834	ASD	370992
AE	3996362	AAX	460629	AHY	354131	ASF	370965
AF	3996362	AAZ	460629	AJA	463836	ASH	370995
AH	346939	ABA	460632	AJB	463836	ASJ	370995
AJ	346940	ABB	460632	AJC	463837	ASK	370997
AK	346941	ABC	460634	AJH	463885	ASM	370997
AM	3996364	ABD	460634	AJJ	463885	ASN	370999
AR	3996364	ABF	460636	ANB	462540	ASR	370999
AU	3996365	ABH	460636	ANC	378598	ASS	370964
CR	3998629	ABJ	460638	ANY	362150	AST	370964
CS	3998629	ABK	460638	ANZ	362151	ASU	370965
CU	3998629	ABR	460641	AOJ	462540	ASW	370967
DD	378598	ABS	460643	AOK	362200	ASX	370967
DH	6262425	ABT	460643	AOM	362200	ASY	370968
DJ	6262426	ABU	460645	AON	370906	ATK	354161
DK	6262428	ABW	460645	AOR	370906	ATM	3982354
DL	6262428	ABX	460647	AOS	370907	ATX	3982354
DM	6262430	ABY	460647	AOT	370909	ATY	3988104
EM	334488	ACA	460649	AOU	370909	AUA	462501
EV	354161	ACB	460651	AOW	370911	AUB	462503
FA	378599	ACC	460651	AOX	370911	AUC	462503
FB	378600	ACD	460653	APA	378501	AUD	354161
GA	1608625	ACF	460653	APB	378503	AUH	462507
GB	1608626	ACH	460655	APC	378503	AUJ	462507
GC	1608626	ACJ	460655	APD	378505	AUK	334488
GE	1608629	ACK	460684	APF	378505	AUM	462509
GF	1608630	ACR	460660	APH	378507	AUN	462511
GG	1608631	ACS	460660	APJ	378507	AUR	462511
GH	1608626	ACT	460662	APK	378539	AWX	378598
GJ	1608633	ACU	460662	APM	378539	AWY	378599
GK	1608634	ACW	460664	APN	378541	AWZ	378600
HH	346993	ACX	460664	APR	378541	AXA	378592
HI	354161	ACY	460687	APS	378501	AXC	378594
HJ	346995	ADS	460679	AQC	463850	AXD	378596
HK	346995	ADT	460679	AQD	463851	AXF	378596
HL	3988104	ADU	460681	AQF	463852	AXH	462540
HM	346996	ADW	460681	ARF	370976	AXJ	378598
HR	3988104	ADX	460683	ARH	370976	AXN	462549
KB	334445	ADY	460683	ARJ	370978	AXR	462549
KF	334445	ADZ	460684	ARK	370978	AXS	462550
KJ	3988111	AFA	460686	ARM	370980	AXT	462552
KT	3988111	AFB	460686	ARN	370980	AXU	462552
KU	3988113	AFC	460687	ARR	370982	AXW	462554
KV	3988113	AFD	460688	ARS	370982	AXX	462554
KW	462509	AFF	460689	ARW	370986	AXY	462556
KX	462509	AFJ	460691	ARX	370986	AXZ	462556
LA	6262425	AFS	14003381	ARY	370988		
MB	344537	AFT	14003382	ARZ	370988		
ME	1605664	AFU	14003383	ASA	370990		
MF	344537	AHT	463833	ASB	370990		

NOTE: Torsion bars are not included in the above listing.  
See Group 7.412 for specific usage.

**FRAMES—SPRINGS—SHOCKS—BUMPERS**

**1979 ALL PASSENGER CAR CHASSIS SPRING CHART (Exc. Cadillac)**

To determine correct replacement spring, refer to production code taped to spring on vehicle.

**REAR**

Production I.D. Code	Service Part Number	Production I.D. Code	Service Part Number	Production I.D. Code	Service Part Number	Production I.D. Code	Service Part Number
AZ	1607830	SS	485719	YZ	485709	NFA	485744
CI	14000563	ST	485719	ZA	483671	NFB	485689
HS	3988081	SU	482064	ZK	485748	NFC	362172
HT	3988081	SW	485734	ZX	485722	NFD	362175
HW	336877	SZ	493689	ZZ	485738	NFF	362105
JA	1611136	TA	485736	NAL	14029311	NFH	462538
JB	1611136	TB	485746	NAM	14029310	NFJ	462538
JC	1611138	TC	485746	NAN	14029312	NFK	362109
JD	1611138	TD	485721	NBA	362102	NFL	462545
JE	1611140	TF	485721	NBB	362102	NFM	462545
JF	1611140	TJ	485727	NBC	362104	NFN	336877
JJ	1611136	TS	485736	NBD	362105	NFP	336877
JK	1611136	TT	485719	NBF	362106	NFU	494672
JL	1611145	TU	485719	NBH	362107	NHC	14029313
JM	511146	UA	494776	NBJ	362109	NHH	482064
JN	1611147	UC	481991	NBX	6272839	NHJ	494672
JP	1611135	UH	482088	NCM	485729	NHK	10002985
JR	1611136	UT	482062	NCN	485729	NHN	10002985
OA	485740	WR	485721	NCP	485738	NHS	485709
OB	485721	WS	485722	NCR	14029313	NKB	1615932
OL	3988081	WT	485722	NCY	378553	NKC	1615932
PA	480878	WU	485738	NCZ	378553	NKD	1615932
PB	480880	WV	485740	NDB	482064	NKF	1615934
PC	480880	XG	482062	NDC	482066	NKH	1615934
PD	480881	XJ	482064	IDD	482066	NKW	1615947
PE	480881	XK	482066	NDM	482068	NKX	1615947
PF	480884	XP	485077	NDN	527778	NKY	1615947
PG	480884	XY	485748	NDP	527778	NKZ	1615947
PJ	481132	YA	482080	NDR	527780	NLA	1615947
PL	481132	YB	482080	NDS	527780	NLB	480885
PR	482548	YC	482082	NDT	527782	NLC	10007421
PZ	477512	YG	482086	NDU	527782	NLD	10007421
RW	336877	YH	482086	NDW	485698	NLH	1615934
SJ	485727	YJ	482088	NDX	485698	NLL	1615947
SK	485754	YK	482088	NDY	485696	NLW	10009665
SL	485754	YL	482090	NDZ	485744	NLT	1615932
SM	485754	YM	482090	NFS	462577	NLU	1615947
SR	485709	YP	480885	NFT	462598		

NOTE: Torsion bars are not included in the above listing.  
See Group 7.412 for specific usage.

**1978-79 "Y" CAR**

Follow the steps below to utilize Service Spring Charts

1. Obtain GAWRF (Frt) or GAWRR (Rear) weight from sticker on left door.  
Use kilogram (kg) values only.
2. Select chart to be used, determined by model and engine or suspension.
3. Locate the GAWRF or GAWRR weight within the appropriate range under the proper tire column. Use indicated spring part number.

**Y W/STANDARD SUSPENSION**

FRONT GAWRF RANGE			REAR GAWRR RANGE		
P225/70R15 TIRE	P255/60R15 TIRE	SPRING PART NUMBER	P225/70R15 TIRE	P225/60R15 TIRE	SPRING PART NUMBER
Over 958	Over 938	346944	All	All	462577
878-958	858-938	346943			
837-877	817-857	346941			
797-836	776-816	346940			
0-796	0-775	346939			

**Y W/FE7 SUSPENSION**

FRONT GAWRF RANGE			REAR GAWRR RANGE		
P225/70R15 TIRE	P225/60R15 TIRE	SPRING PART NUMBER	P225/70R15 TIRE	P225/60R15 TIRE	SPRING PART NUMBER
Over 867	Over 847	362151	All	All	462598
815-867	795-847	362150			
762-814	742-794	354131			
0-761	0-741	340519			



**FRAMES—SPRINGS—SHOCKS—BUMPERS**

**1980 ALL PASSENGER CAR CHASSIS SPRING CHART (Exc. Cadillac)**

To determine correct replacement spring, refer to production code taped to spring on vehicle.

**FRONT**

Prod. I.D. Code	Serv. Part No.	Serv'd. I.D. Code	Prod. I.D. Code	Serv. Part No.	Serv'd. I.D. Code	Prod. I.D. Code	Serv. Part No.	Serv'd. I.D. Code	Prod. I.D. Code	Serv. Part No.	Serv'd. I.D. Code
AA	340519	AA	ACY	460687	AFC	ARW	370986	ARX	BCC	14003339	BCC
AD	346939	AH	ADS	460679	ADT	ARX	370986	ARX	BCD	14003374	BDS
AE	3996362	AF	ADT	460679	ADT	ARY	370988	ARZ	BCT	14003350	BCU
AF	3996362	AF	ADU	460681	ADW	ARZ	370988	ARZ	BCU	14003350	BCU
AH	346939	AH	ADW	460681	ADW	ASA	370990	ASB	BCW	14003351	BCW
AJ	346940	AJ	ADX	460683	ADY	ASB	370990	ASB	BCX	14003353	BCY
AK	346941	AK	ADY	460683	ADY	ASC	370992	ASD	BCY	14003353	BCY
AM	3996364	AR	ADZ	460684	ADZ	ASD	370992	ASD	BCZ	14003354	BCZ
AR	3996364	AR	AFA	460686	AFB	ASF	370965	ASU	BDK	14003371	BDM
AU	3996365	AU	AFB	460686	AFB	ASH	370995	ASJ	BDM	14003371	BDM
CR	3998629	CS	AFC	460687	AFC	ASJ	370995	ASJ	BDR	14003373	BDR
CS	3998629	CS	AFD	460688	AFD	ASK	370997	ASM	BDS	14003374	BDS
CU	3998629	CU	AFJ	460691	AFJ	ASM	370997	ASM	BFA	1608637	BFC
DD	378598	AWX	AFS	14003381	AFS	ASN	370999	ASR	BFB	1608637	BFC
EM	334488	EM	AFT	14003382	AFT	ASR	370999	ASR	BFC	1608637	BFC
EV	354161	HI	AFU	14003383	AFU	ASS	370964	AST	BFD	1608639	BFF
FA	378599	AWY	AHT	463833	AHU	AST	370964	AST	BFF	1608639	BFF
FB	378600	AWZ	AHU	463833	AHU	ASU	370965	ASU	BFH	1608639	BFF
GD	1608629	GE	AHW	463834	AHW	ASW	370967	ASX	BFJ	1608642	BFK
HR	3988104	GL	AHY	354131	AHY	ASX	370967	ASX	BFK	1608642	BFK
KJ	3988111	BC	AJA	463836	AJB	ASY	370968	ASY	BFM	14003386	BFN
KT	3988111	BC	AJB	463836	AJB	ATK	354161	HI	BFN	14003386	BFN
KU	3988113	BE	AJC	463837	AJC	ATM	3982354	HZ	BFR	14003388	BFS
KV	3988113	BE	AJH	463885	AJJ	ATX	3982354	HZ	BFS	14003388	BFS
KW	462509	BH	AJJ	463885	AJJ	ATY	3988104	GL	BFT	14003390	BFU
KX	462509	BH	ANB	462540	AXH	AUB	462503	AUC	BFU	14003390	BFU
MB	344537	MF	ANC	462541	AXJ	AUC	462503	AUC	BFX	14003393	BFY
MF	344537	MF	ANZ	362151	ANZ	AUM	462509	AUM	BFY	14003393	BFY
AAU	460627	AAW	AOJ	462540	ANB	AUN	462511	AUR	BFZ	14003395	BHA
AAW	460627	AAW	AOK	362200	AOM	AUR	462511	AUR	BHA	14003395	BHA
AAX	460629	AAY	AOM	362200	AOM	AWX	378598	AWX	BHB	14003395	BHA
AAY	460629	AAY	AON	370906	AOR	AWY	378599	AWY	BHC	14003398	BHD
ABA	460632	ABB	AOR	370906	AOR	AWZ	378600	AWZ	BHD	14003398	BHD
ABB	460632	ABB	AOS	370907	AOS	AXH	462540	AXH	BHF	14003399	BHF
ABC	460634	ABD	AOT	370909	AOU	AXJ	378598	AWX	BHH	14021601	BHJ
ABD	460634	ABD	AOU	370909	AOU	AXN	462549	AXR	BHJ	14021601	BHJ
ABF	460636	ABH	AOW	370911	AOX	AXR	462549	AXR	BHK	14021602	BHK
ABH	460636	ABH	AOX	370911	AOX	AXS	462550	AXS			
ABJ	460638	ABK	APA	378501	APA	AXT	462552	AXU			
ABK	460638	ABK	APB	378503	APC	AXU	462552	AXU			
ABR	460641	ABR	APC	378503	APC	AXW	462554	AXX			
ABS	460643	ABT	APD	378505	APF	AXX	462554	AXX			
ABT	460643	ABT	APF	378505	APF	AXY	462556	AXZ			
ABU	460645	ABW	APH	378507	APJ	AXZ	462556	AXZ			
ABW	460645	ABW	APJ	378507	APJ	BAH	14003323	BAJ			
ABX	460647	ABY	APK	378539	APM	BAJ	14003323	BAJ			
ABY	460647	ABY	APN	378541	APR	BAK	14003323	BAM			
ACB	460651	ACC	APR	378541	APR	BAM	14003323	BAM			
ACC	460651	ACC	APS	378501	APA	BAN	14003325	BAR			
ACD	460653	ACF	AQC	463850	AQC	BAR	14003325	BAR			
ACF	460653	ACF	AOD	463851	AOD	BBC	14003323	BBC			
ACH	460655	ACJ	AOF	463852	AOF	BBD	14003323	BBF			
ACJ	460655	ACJ	ARF	370976	ARH	BBF	14003323	BBF			
ACK	460684	ADZ	ARH	370976	ARH	BBH	14003325	BBJ			
ACR	460660	ACS	ARJ	370978	ARK	BBJ	14003325	BBJ			
ACS	460660	ACS	ARK	370978	ARK	BBX	14003335	BBY			
ACT	460662	ACU	ARM	370980	ARN	BBY	14003335	BBY			
ACU	460662	ACU	ARN	370980	ARN	BBZ	14003337	BCA			
ACW	460664	ACX	ARR	370982	ARS	BCA	14003337	BCA			
ACX	460664	ACX	ARS	370982	ARS	BCB	14003339	BCC			

**NOTE:** Torsion bars are not included in the above listing.  
See Group 7.412 for specific usage.

**FRAMES—SPRINGS—SHOCKS—BUMPERS**

**1980 ALL PASSENGER CAR CHASSIS SPRING CHART (Exc. Cadillac)**

To determine correct replacement spring, refer to production code taped to spring on vehicle.

**REAR**

Prod. I.D. Code	Serv. Part No.	Serv'd. I.D. Code	Prod. I.D. Code	Serv. Part No.	Serv'd. I.D. Code	Prod. I.D. Code	Serv. Part No.	Serv'd. I.D. Code	Prod. I.D. Code	Serv. Part No.	Serv'd. I.D. Code
CI	14000563	CI	UC	480881	PE	NDR	527780	NDS	NKC	1615932	NKC
HS	3988081	HT	UH	482078	UH	NDS	527780	NDS	NKF	1615934	NKF
HT	3988081	HT	UT	482062	XG	NDT	527782	NDU	NKW	1615947	NKX
HW	336877	RW	WP	485721	TF	NDU	527782	NDU	NKX	1615947	NKX
JE	1611140	JF	WS	485722	ZX	NDW	485698	NDX	NKZ	1615947	NKX
OA	485740	OA	WT	485722	ZX	NDX	485698	NDX	NLB	480885	YP
OB	485721	TF	WU	485738	WU	NDY	485696	NDY	NLC	10007421	NLC
OL	3988081	HT	WV	485740	OA	NDZ	485744	NFA	NLD	10007421	NLC
PA	480878	PA	XG	482062	XG	NFA	485744	NFA	NLF	1615929	NKA
PB	480880	PC	XJ	482064	XJ	NFB	485689	WL	NLT	1615932	NKC
PC	480880	PC	XP	485077	ZM	NFL	462545	NFM	NLU	1615947	NKX
PE	480881	PE	XY	485748	XY	NFM	462545	NFM	NLW	10009665	NLW
PF	480884	PG	YA	482080	YB	NFN	336877	NFP	NLX	1616988	NMA
PG	480884	PG	YB	482080	YB	NFP	336877	NFP	NLY	1616988	NMA
PJ	481132	PJ	YC	482082	YD	NFR	549955	NFR	NLZ	1616988	NMA
PL	481132	PJ	YG	482086	YH	NFU	494672	NFU	NMA	1616988	NMA
PR	482548	PR	YH	482086	YH	NHH	482064	XJ	NMB	1616989	NMB
PZ	477512	PZ	YJ	482088	YK	NHJ	494672	NFU	NMC	1616992	NMF
RW	336877	RW	YK	482088	YK	NHK	10002985	NHN	NMD	1616992	NMF
SJ	485727	TJ	YL	482090	YM	NHN	10002985	NHN	NMF	1616992	NMF
SK	485754	SL	YM	482090	YM	NHR	485756	NHR	NMH	1616992	NMF
SL	485754	SL	YP	480885	YP	NHS	485709	SR			
SM	485754	SL	YZ	485709	SR	NJA	10004089	NJB			
SR	485709	SR	ZA	483671	ZH	NJB	10004089	NJB			
SS	485719	TU	ZX	485722	ZX	NJC	10004091	NJD			
ST	485719	TU	ZZ	485738	WU	NJD	10004091	NJD			
SU	482064	XJ	NAL	14029311	NAL	NJF	10004093	NJG			
SW	485734	SW	NAM	14029310	NAM	NJG	10004093	NJG			
SZ	493689	SZ	NAN	14029312	NAN	NJH	10004094	NJJ			
TA	485736	TA	NCM	485729	NCN	NJJ	10004094	NJJ			
TB	485746	TC	NCN	485729	NCN	NJK	10004096	NJK			
TC	485746	TC	NCP	485738	WU	NJL	10004098	NJM			
TD	485721	TF	NCR	14029313	NCR	NJM	10004098	NJM			
TF	485721	TF	NDB	482064	XJ	NJN	10004100	NJP			
TJ	485727	TJ	NDC	482066	XL	NJP	10004100	NJP			
TS	485736	TA	NDD	482066	XL	NJR	10004101	NJR			
TT	485719	TU	NDM	482068	XN	NJZ	1615929	NKA			
TU	485719	TU	NDN	527778	WN	NKA	1615929	NKA			
UA	494776	UA	NDP	527778	WN	NKB	1615932	NKC			

**NOTE:** Torsion bars are not included in the above listing.  
See Group 7.412 for specific usage.

**1980 CORVETTE**

Follow the steps below to utilize Service Spring Charts.

1. Obtain GAWRF (frt) or GAWRR (rear) weight from sticker on left door.
2. Select chart to be used, determined by model and engine or suspension.
3. Locate the GAWRF or GAWRR weight within the appropriate range under the proper tire column. Use indicated spring part number.

**STANDARD SUSPENSION**

FRONT GAWRF RANGE		REAR GAWRR RANGE	
ALL TIRES	SPRING PART NUMBER	ALL TIRES	SPRING PART NUMBER
0-780 Over 780	14003398 14003399	All	14021603

**FE7 SUSPENSION**

FRONT GAWRF RANGE		REAR GAWRR RANGE	
ALL TIRES	SPRING PART NUMBER	ALL TIRES	SPRING PART NUMBER
0-812 Over 812	14021601 14021602	All	14021604

1981 ALL PASSENGER CAR CHASSIS SPRING CHART (EXC. CADILLAC)

FRONT

Prod. I.D. Code	Serv. Part No.	Serv'd. I.D. Code	Prod. I.D. Code	Serv. Part No.	Serv'd. I.D. Code	Prod. I.D. Code	Serv. Part No.	Serv'd. I.D. Code	Prod. I.D. Code	Serv. Part No.	Serv'd. I.D. Code
AE	3996362	AF	ACY	460687	AFC	BHC	14003398	BHD	ARH	370976	ARH
AF	3996362	AF	BCY	14003353	BCY	BHD	14003398	BHD	ARJ	370978	ARK
AM	3996364	AR	BCZ	14003354	BCZ	BHF	14003399	BHF	ARK	370978	ARK
AR	3996364	AR	DD	378598	AWX	BHH	14021601	BHJ	ARM	370980	ARN
AAU	460627	AAW	BDK	14003371	BDM	BHJ	14021601	BHJ	ARN	370980	ARN
AU	3996365	AU	BDM	14003371	BDM	BHK	14021602	BHK	ARR	370982	ARS
AAW	460627	AAW	BDR	14003373	BDR	HL	3982356	CZ	ARS	370982	ARS
AAX	460629	AAY	ADS	460679	ADT	HR	3988104	GL	ARW	370986	ARX
AAY	460629	AAY	BDS	14003374	BDS	BHS	1620423	BHT	ARX	370986	ARX
ABC	460634	ABD	ADT	460679	ADT	AHT	463833	AHU	ARY	370988	APZ
ABD	460634	ABD	ADU	460681	ADW	BHT	1620423	BHT	ARZ	370988	ARZ
BBD	14003323	BBF	BDU	1620423	BHT	AHU	463833	AHU	ASA	370990	ASB
ABF	460636	ABH	ADW	460681	ADW	AJA	463836	AJB	ASB	370990	ASB
BBF	14003323	BBF	ADX	460683	ADY	AJB	463836	AJB	ASC	370992	ASD
ABH	460636	ABH	ADY	460683	ADY	AJC	463837	AJC	ASD	370992	ASD
BBH	14003325	BBJ	ADZ	460684	ADZ	AJH	463885	AJJ	ASF	370965	ASU
ABJ	460638	ABK	EV	3982352	HI	AJJ	463885	AJJ	ASH	370995	ASJ
BBJ	14003325	BBJ	FA	378599	AWY	KJ	3988111	BC	ASJ	370995	ASJ
ABK	460638	ABK	AFA	460686	AFB	KT	3988111	BC	ASK	370997	ASM
ABS	460643	ABT	BFA	1608637	BFC	KU	3988113	BE	ASM	370997	ASM
ABT	460643	ABT	FB	378600	AWZ	KV	3988113	BE	ASN	370999	ASR
ABU	460645	ABW	AFB	460686	AFB	KW	462509	AUM	ASR	370999	ASR
ABW	460645	ABW	BFB	1608637	BFC	KX	462509	AUM	ASS	370964	AST
ABX	460647	ABY	AFC	460687	AFC	MB	344537	MF	AST	370964	AST
BBX	14003335	BBY	BFC	1608637	BFC	MF	344537	MF	ASU	370965	ASU
ABY	460647	ABY	AFD	460688	AFD	ANB	462540	AXH	ASW	370967	ASX
BBY	14003335	BBY	AFD	1608639	BFF	ANC	462541	AXJ	ASX	370967	ASX
BBZ	14003337	BCA	BFF	1608639	BFF	AOJ	354136	ANB	ASY	370968	ASY
BCA	14003337	BCA	BFH	1608639	BFF	AOK	352200	AOM	ATK	3982352	HI
ACB	460651	ACC	AFJ	460691	AFJ	AOM	362200	AOM	ATM	3982354	HI
BCB	14003339	BCC	BFJ	1508642	BFK	AON	370906	AOR	ATX	3982354	HZ
ACC	460651	ACC	BFK	1608642	BFK	AOR	370906	AOR	ATY	3982354	GL
BCC	14003339	BCC	BFM	14003386	BFN	AOS	370907	AOS	AUB	462500	AUC
ACD	460653	ACF	BFN	14003386	BFN	AOT	370909	AOU	AUC	462503	AUC
BCD	14003339	BCC	BFR	14003388	BFS	APA	378501	APA	AXN	462549	AXR
ACF	460653	ACF	AFS	14003381	AFS	APB	378503	APC	AXR	462549	AXR
ACH	460655	ACJ	BFS	14003388	BFS	APC	378503	APC	AXS	462550	AXS
ACJ	460655	ACJ	AFT	14003382	AFT	APD	378505	APF	AXT	462552	AXU
ACK	460684	ADZ	BFT	14003390	BFU	APF	378505	APF	AXU	462552	AXU
CR	3998629	CS	AFU	14003383	AFU	APH	378507	APJ	AXW	462554	AXX
ACS	460660	ACS	BFU	14003390	BFU	APJ	378507	APJ	AXX	462554	AXX
CS	3998629	CS	BFX	14003393	BFY	APK	378539	APM	AXY	462556	AXZ
ACT	460662	ACU	BFY	14003393	BFY	APM	378539	APM	AXZ	462556	AXZ
BCT	14003350	BCU	BFZ	14003395	BHA	APR	378541	APR			
ACU	460662	ACU	GD	1608629	GE	APS	378501	APA			
BCU	14003350	BCU	GF	1608630	GF	AQC	463850	AQC			
ACW	460664	ACX	GG	1608631	GG	AQD	463851	AQD			
BCW	14003351	BCW	GK	1608634	GK	AQF	463852	AQF			
ACX	460664	ACX	BHA	14003395	BHA	ARD	370974	ARD			
BCX	14003353	BCY	BHB	14003395	BHA	ARF	370976	ARH			

1981 ALL PASSENGER CAR CHASSIS SPRING CHART (EXC. CADILLAC)  
(Continued)

REAR

Prod. I.D. Code	Serv. Part No.	Serv'd. I.D. Code	Prod. I.D. Code	Serv. Part No.	Serv'd. I.D. Code	Prod. I.D. Code	Serv. Part No.	Serv'd. I.D. Code	Prod. I.D. Code	Serv. Part No.	Serv'd. I.D. Code
NCM	485729	NCN	NJS	10004102	NJS	TB	485746	TC			
NCN	485729	NCN	NJZ	1615929	NKA	TC	485746	TC			
NCP	485738	WU	NKA	1615929	NKA	TD	485721	TF			
NDB	482064	XJ	NKB	1615932	NKC	TF	485721	TF			
NDC	482066	XL	NKC	1615932	NKC	TJ	485727	TJ			
NDD	482066	XL	NKF	1615934	NKF	TL	485696	NDY			
NDN	527778	WN	NKW	1615947	NKX	TS	485736	TA			
NDP	527778	WN	NKX	1615947	NKX	TT	485719	TU			
NDR	527780	NDS	NKZ	1615949	NKZ	TU	485719	TU			
NDS	527780	NDS	NLA	1615949	NKZ	UA	494776	UA			
NDT	527782	NDU	NLB	480885	YP	UC	480881	PE			
NDU	527782	NDU	NLC	10007421	NLC	UH	482078	UH			
NDW	485698	NDX	NLD	10007421	NLC	UT	482062	XG			
NDX	485698	NDX	NLF	1615929	NKA	WR	485721	TF			
NDY	485696	NDY	NLL	1615949	NKZ	WS	485722	ZX			
NDZ	485744	NFA	NLT	1615932	NKC	WT	485722	ZX			
NFA	485744	NFA	NLU	1615947	NKX	WU	485738	WU			
NFB	485689	WL	NLW	10009665	NLW	WV	485740	OA			
NFU	494672	NFU	NLX	1616988	NMA	XP	485077	ZM			
NHH	482064	XJ	NLY	1616988	NMA	XY	485748	XY			
NHJ	494672	NFU	NLZ	1616988	NMA	YA	482080	YB			
NHK	10002985	NHN	NMA	1616988	NMA	YB	482080	YB			
NHN	10002985	NHN	NMB	1616989	NMB	YC	482082	YD			
NHR	485756	NHR	NMC	1616992	NMF	YG	482086	YH			
HS	3988081	HT	NMD	1616992	NMF	YH	482086	YH			
NHS	485709	SR	NMF	1616992	NMF	YJ	482088	YK			
BHU	14029310	BHU	NMH	1616992	NMF	YK	482088	YK			
HW	336877	RW	OA	485740	OA	YP	480885	YP			
BHW	14029311	BHW	OB	485721	TF	YZ	485709	SR			
BHX	14029312	BHX	OL	3988081	HT	ZZ	485738	WU			
BHY	14029313	BHY	PA	480878	PA						
BHZ	14029313	BHZ	PB	480880	PC						
NJA	10004089	NJB	PC	480880	PC						
NJB	10004089	NJB	PE	480881	PE						
NJC	10004091	NJD	PF	480884	PG						
NJD	10004091	NJD	PG	480884	PG						
JE	1611140	JF	PJ	481132	PJ						
NJF	10004093	NJG	PL	481132	PJ						
NJG	10004093	NJG	PR	482548	PR						
NJH	10004094	NJH	PZ	477512	PZ						
NJJ	10004094	NJH	SJ	485727	TJ						
NJK	10004096	NJK	SK	485754	SL						
JL	1611145	JL	SL	485754	SL						
NJL	10004098	NJM	SM	485754	SL						
JM	1611146	JM	SR	485709	SR						
NJM	10004098	NJM	SS	485719	TU						
JN	1611147	JN	ST	485719	TU						
NJN	10004100	NJP	SW	485734	SW						
NJP	10004100	NJP	SZ	493689	SZ						
NJR	10004101	NJR	TA	485736	TA						

**1981 CORVETTE**

Follow the steps below to utilize Service Spring Charts.

1. Obtain GAWRF (Frt) or GAWRR (Rear) weight from sticker on left door.
2. Select chart to be used, determined by model and engine or suspension.
3. Locate the GAWRF or GAWRR weight within the appropriate range under the proper tire column. Use indicated spring part number.

**STANDARD SUSPENSION  
W/MANUAL TRANSMISSION**

FRONT GAWRF RANGE		REAR GAWRR RANGE	
ALL TIRES	SPRING PART NUMBER	ALL TIRES	SPRING PART NUMBER
0-780 Over 780	14003398 14003399	All	14021603

**STANDARD SUSPENSION  
W/AUTOMATIC TRANSMISSION**

FRONT GAWRF RANGE		REAR GAWRR RANGE	
ALL TIRES	SPRING PART NUMBER	ALL TIRES	SPRING PART NUMBER
0-780 Over 780	14003398 14003399	All	9764141

**FE7 SUSPENSION**

FRONT GAWRF RANGE		REAR GAWRR RANGE	
ALL TIRES	SPRING PART NUMBER	ALL TIRES	SPRING PART NUMBER
0-812 Over 812	14021601 14021602	All	14021604

MICROFICHE INDEX  
GROUPS 6.000 THRU 8.000  
FICHE 4 OF 6

<u>GROUP DESCRIPTION</u>	<u>STARTING GRID LOCATION</u>	
	<u>PARTS</u>	<u>ILLUSTRATIONS</u>
- INTRODUCTION .....	A-6	H-2
- GENERAL INFORMATION .....	A-2	H-2
- ALPHABETICAL INDEX .....	C-11	N.A.
- INDEX FOR ADDITIONAL INFORMATION .....	A-5	N.A.
6.000 FRONT SUSPENSION - STEERING .....	E-2	H-6
7.000 FRAME - SPRINGS - SHOCKS - BUMPERS .....	F-2	J-2
8.000 FRONT END SHEET METAL - HEATER .....	G-5	L-2
- OUT OF FICHE CALLS .....	N.A.	M-11

**G-1**

FRAMES - SPRINGS - SHOCKS - BUMPER

1982 ALL PASSENGER CAR CHASSIS SPRING CHART

TO DETERMINE CORRECT REPLACEMENT SPRING, REFER TO PRODUCTION CODE TAPED TO SPRING ON VEHICLE

FRONT

PROD. ID CODE	SERV. PART NO.	SERV'D ID CODE	PROD. ID CODE	SERV. PART NO.	SERV'D ID CODE	PROD. ID CODE	SERV. PART NO.	SERV'D ID CODE	PROD. ID CODE	SERV. PART NO.	SERV'D ID CODE
GD	1608629	GE	AHD	70974	ARD	BFK	1608642	BFK	BXN	14029388	BXN
GE	1608629	GE	AHF	370976	ARH	BFM	14003386	BFM	BXR	14029390	BXR
GF	1608630	GF	ARR	370976	ARR	BFN	14003386	BFN	BXS	14029390	BXS
GG	1608631	GG	ARJ	371978	ARK	BFR	14003388	BFS	BXT	14029392	BXT
GK	1608634	GK	ARK	370778	ARK	BFS	14003388	BFS	BXU	14029392	BXU
AAT	460625	AAT	ARM	370970	ARN	BFT	14003390	BFU	BXW	14034238	BKR
AAU	460627	AAW	ARN	370980	ARN	BFU	14003390	BFU	BXX	14029394	BXX
AAW	460627	AAW	ARR	370982	ARS	BHC	14003398	BHD	BXY	14029396	BXZ
AAW	460629	AAW	ARS	370982	ARS	BHD	14003398	BHD	BXZ	14029396	BXZ
AAW	460629	AAW	ARW	370986	ARX	BHF	14003399	BHF	BYK	14029327	BYM
ABC	460634	ABD	ARX	370986	ARX	BHH	14021601	BHJ	BYM	14029327	BYM
ABD	460634	ABD	ARY	370988	ARZ	BHJ	14021601	BHJ	BYN	14029328	BYN
ABF	460636	ABH	ARZ	370988	ARZ	BHK	14021602	BHK	BYR	14029329	BYR
ABH	460636	ABH	ASA	370990	ASB	BHR	14023698	SHR	BYS	14029330	BYS
ABJ	460638	ABK	ASB	370990	ASB	BHS	1620423	BHT	BZO	14029341	BZF
ABK	460638	ABK	ASC	370992	ASD	BHS	14003374	BDS	BZF	14029341	BZF
ABS	460643	ABT	ASD	370992	ASD	BHT	14023700	BHT	BZH	14029342	BZH
ABT	460643	ABT	ASF	370965	ASU	BHT	1620423	BHT	BZJ	14029343	BZJ
ABU	460645	ABW	ASH	370995	ASJ	BUN	14034258	BJR	BZN	14029330	BYS
ABW	460645	ABW	ASJ	370995	ASJ	BJR	14034258	BJR	BZU	14029343	BZJ
ABX	460647	ABY	ASK	370997	ASM	BJT	14034260	BJT	BZX	14029398	BZX
ABY	460647	ABY	ASM	370997	ASM	BJW	14034262	BJW	BZZ	14029400	BZZ
ACC	460651	ACC	ASN	370999	ASR	BJX	14034264	BJY	CAA	14056303	CAA
ACD	460653	ACF	ASR	370999	ASR	BJY	14034264	BJY	CAB	14056306	CAB
ACF	460653	ACF	ASS	370964	AST	BJZ	14034266	BKA	CAC	14056307	CAC
ACH	460655	ACJ	AST	370964	AST	BKA	14034266	BKA	CFX	14065814	CFX
ACJ	460655	ACJ	ASU	370965	ASU	BKB	14034267	BKB	CFY	14065814	CFX
ACK	460684	ADZ	ASW	370967	ASX	BKC	14034268	BKC	CJA	14065802	CJB
ACS	460660	ACS	ASX	370967	ASX	BKH	14034272	BKJ	CJB	14065802	CJB
ACT	460662	ACU	AXR	462549	AXR	BKJ	14034272	BKJ	CJC	14065804	CJD
ACU	460662	ACU	AXS	462550	AYS	BKK	14034273	BKK	CJD	14065804	CJD
ACW	460664	ACX	AXU	462552	AXU	BKM	14034274	BKM	CJF	14065806	CJH
ACX	460664	ACX	AXX	462554	AXX	BKN	14034274	BKM	CJH	14065806	CJH
ACY	460687	AFC	AXY	462556	AXZ	BKR	14034238	BKR	CJJ	14065806	CJH
ADS	460679	ADT	AXZ	462556	AXZ	BMD	14047213	BMD	CJK	14065809	CJM
ADT	460679	ADT	BBB	14003373	BDR	BMF	14047214	BMF	CJN	14065811	CJR
ADU	460681	ADW	BBD	14003323	BBF	BMH	14047215	BMH	CJR	14065811	CJR
ADW	460681	ADW	BBE	14003323	BBF	BMJ	14047216	BMJ	CJS	14065812	CJS
ADY	460683	ADY	BBI	14003325	BBJ	BMK	14047217	BMK	CJT	14065812	CJS
ADZ	460684	ADZ	BBN	14003329	BBR	BBR	14050386	BRC	CJU	14065809	CJU
AFA	460686	AFB	BBR	14003329	BBR	BRC	14050386	BRC	CJW	14065816	CJW
AFB	460686	AFB	BBS	14003331	BBT	BRD	14050387	BRD			
AFC	460687	AFC	BBT	14003331	BBT	BRK	14050391	BRK			
AFD	460688	AFD	BBU	14003372	BDN	BRM	14050392	BRM			
AFF	460689	AFF	BBY	14003335	BBY	BRN	14050393	BRN			
AFJ	460691	AFJ	BBZ	14003337	BCA	BRR	14050394	BRR			
AFS	14003381	AFS	BCA	14003337	BCA	BSN	14045791	BSN			
AFT	14003382	AFT	BCB	14003339	BCC	BUF	14034216	BUH			
AFU	14003383	AFU	BCC	14003339	BCC	BUH	14034216	BUH			
AHT	463833	AHU	BCD	14003339	BCC	BUJ	14034218	BUK			
AHU	463833	AHU	BCN	14003347	BCR	BUK	14034218	BUK			
AJA	463836	AJB	BCR	14003347	BCR	BUM	14034220	BUN			
AJB	463836	AJB	BCS	14003350	BCV	BUN	14034220	BUN			
AJC	463837	AJC	BCT	14003350	BCV	BUR	14034220	BUN			
AJH	463885	AJJ	BCV	14003350	BCV	BWD	14025365	BWF			
AJJ	463885	AJJ	BCW	14003351	BCW	BWF	14029365	BWF			
APA	378501	APA	BCX	14003353	BCY	BWH	14029367	BWJ			
APC	378503	APC	BCY	14003353	BCY	BWJ	14029367	BWJ			
APD	378505	APF	BCZ	14003354	BCZ	BWK	14029368	BWK			
APF	378505	APF	BDK	14003371	BDM	BWM	14029368	BWK			
APH	378507	APJ	BDM	14003371	BDM	BWX	14029377	BWY			
APJ	378507	APJ	BDN	14003372	BDN	BWY	14029377	BWY			
APK	378539	APM	BDR	14003373	BDR	BWZ	14029379	BXA			
APM	378539	APM	BDS	14003374	BDS	BXA	14029379	BXA			
APR	378541	APR	BDU	1620423	BHT	BXB	14029381	BXC			
APS	378501	APA	BDZ	1620428	BDZ	BXC	14029381	BXC			
AQC	463850	AQC	BFD	1608639	BFF	BXD	14029383	BXF			
AQD	463851	AQD	BFF	1608639	BFF	BXF	14029383	BXF			
AQF	463852	AQF	BFH	1608639	BFF	BXM	14029388	BXN			



FRAMES - SPRINGS - SHOCKS - BUMPER

1982 ALL PASSENGER CAR CHASSIS SPRING CHART

TO DETERMINE CORRECT REPLACEMENT SPRING, REFER TO PRODUCTION CODE TAPED TO SPRING ON VEHICLE

REAR

PROD. ID CODE	SERV. PART NO.	SERV'D ID CODE	PROD. ID CODE	SERV. PART NO.	SERV'D ID CODE	PROD. ID CODE	SERV. PART NO.	SERV'D ID CODE	PROD. ID CODE	SERV. PART NO.	SERV'D ID CODE
JC	1611140	JF	NDX	485698	NDX	NPF	10019646	NPF			
JF	1611140	JF	NDY	485696	NDY	NPH	10020763	NPH			
JL	1611145	JL	NDZ	485744	NFA	NPJ	10020765	NPK			
JM	1611146	JM	NFA	485744	NFA	NPK	10020765	NPK			
JN	1611147	JN	NFB	485689	WL	NPL	10020765	NPK			
KA	1615929	KA	NFU	494672	NFU	NPM	10020768	NPN			
OA	485740	OA	NHH	482064	XJ	NPN	10020768	NPN			
OB	485721	TF	NHJ	494672	NFU	NPP	10021066	NPR			
PZ	477512	PZ	NHK	10002985	NHN	NPR	10021066	NPR			
PB	1623485	RD	NHN	10002985	NHN	NPS	10021068	NPT			
RC	1623485	RD	NHP	477512	PZ	NPT	10021068	NPT			
RF	1623488	RJ	NHR	485756	NHR	NPU	10021299	NPU			
RH	1623488	RJ	NHS	485709	SR	NPW	10021515	NPW			
SJ	485727	TJ	NHT	10004319	NHU	NPX	10021569	NPY			
SK	485754	SL	NHU	10004319	NHU	NPY	10021569	NPY			
SL	485754	SL	NJA	10004089	NJB	NRA	10021571	NRA			
SM	485754	SL	NJB	10004089	NJB	NRD	1623485	NRD			
SR	485709	SR	NJC	10004091	NJD	NRJ	1623488	NRJ			
SS	485719	TU	NJD	10004091	NJD	NRU	10020731	NRU			
ST	485719	TU	NJF	10004093	NJG	NSH	10020731	NRU			
SW	485734	SW	NJG	10004093	NJG	NSH	10026137	NSH			
TA	485736	TA	NJH	10004094	NJH	NSK	10026138	NSK			
TB	485746	NTC	NJK	10004096	NJK	NSM	10026138	NSK			
TF	485721	TF	NJL	10004098	NJM	NTC	485746	NTC			
TF	485721	TF	NJM	10004098	NJM	NUH	1626357	NUJ			
TJ	485727	TJ	NJN	10004100	NJP	NUJ	1626357	NUJ			
TL	485696	NDY	NJP	10004100	NJP	NUK	1626359	NUL			
TS	485736	TA	NJR	10004101	NJR	NUL	1626359	NUL			
TU	485719	TU	NJS	10004102	NJS	NUM	1626361	NUN			
UH	482078	UH	NKB	1615930	NKB	NUN	1626361	NUN			
UT	482062	XG	NKC	1615932	NKD	NUX	10027652	NUX			
WL	485689	WL	NKD	1615932	NKD	NUY	10027652	NUY			
WN	485691	WN	NKH	1615934	NKH	NUZ	10027654	NUZ			
WR	435721	TF	NKW	1615945	NKW	NWA	10027654	NWA			
WS	485722	ZX	NKY	1615947	NKY						
WT	485722	ZX	NKZ	1615949	NLA						
WU	485738	WU	NLA	1615949	NLA						
WV	485740	OA	NLH	1615933	NKF						
XG	482062	XG	NLL	1615948	NKZ						
XJ	422064	XJ	NLT	1615931	NKC						
XL	482066	XL	NLU	1615946	NKX						
XY	485748	XY	NLW	10009665	NLW						
YA	482080	YB	NMM	10013230	NMM						
YB	482080	YB	NMN	10013230	NMM						
YD	482082	YD	NMP	10013232	NMP						
YG	482086	YH	NMR	10013232	NMP						
YH	482086	YH	NMS	10013234	NMS						
YJ	482088	YK	NMU	10013236	NMU						
YK	482088	YK	NMW	10017756	NMW						
YZ	485709	SR	NMX	10017757	NMX						
ZM	485077	ZM	NMY	10017756	NMW						
ZX	485722	ZX	NNB	10018083	NNB						
ZZ	485738	WU	NNG	10018088	NNH						
BHU	14029310	BHU	NNK	10018090	NNK						
BHW	14029311	BHW	NNL	10018091	NNL						
BHX	14029312	BHX	NNM	10018093	NNM						
BHY	14029313	BHY	NNN	10018091	NNL						
BHZ	14029313	BHY	NNP	14038906	NNP						
NCM	485729	NCN	NNR	10019635	NNS						
NCN	485729	NCN	NNS	10019635	NNS						
NDB	482064	XJ	NNT	10019637	NNU						
NDD	482066	XL	NNU	10019637	NNU						
NDN	485691	WN	NNW	10019639	NNX						
NDP	485691	WN	NNX	10019639	NNX						
NDR	527780	NDS	NNY	10019640	NNY						
NDS	527780	NDS	NNZ	10019642	NPA						
NDT	527782	NDU	NPA	10019642	NPA						
NDU	527782	NDU	NPC	10019644	NPC						
NDW	485698	NDX	NPD	10019646	NPF						

PARTS

80



# CHEVROLET CHASSIS GROUP 8.000



## FRONT END SHEET METAL — HEATER

### ALPHABETICAL INDEX

A		F	
ACTUATOR, Heater Temperature Control .....	8.850	FAN, Heater and Defroster .....	8.857
B		G	
BEZEL, Heater Control .....	8.852	GASKET, Heater and Defroster .....	8.857
BEZEL, Hood Panel Ornamentation .....	8.055	GASKET, Heater Core .....	8.854
BOLT, Front Fender Molding .....	8.133	GRILLE, Hood Panel Ornamentation .....	8.055
BOLT, Hood Latch .....	8.085	GROMMET, Hood Hinge .....	8.016
BOLT, Hood Panel .....	8.015	GROMMET, Hood Latch Release Cable .....	8.077
BONDING STRIP, Front Fender .....	8.141	GUIDE, Hood Latch Release Cable .....	8.077
BOOT, auto Jack .....	8.820		
BRACKET, Heater .....	8.846	H	
BRACKET, Heater .....	8.845	HAMMER, Wheel and Jack Wrench .....	8.821
BRACKET, Heater and Defroster .....	8.857	HARNES, Heater Control .....	8.852
BRACKET, Heater Control .....	8.852	HINGE, Hood Panel .....	8.015
BRACKET, Hood Latch .....	8.085	HOOD, Panel .....	8.000
BRACKET, Hood Latch .....	8.080	HOSE, Heater .....	8.846
BUMPER, Hood Panel Closing .....	8.024	HOSE, Heater Temperature Control .....	8.850
BUSHING, Heater Control .....	8.852	HOUSING, Heater Control .....	8.852
		HOUSING, Temperature Control .....	8.858
C		I	
CABLE, Front Fender .....	8.141	INSULATOR, Hood Panel .....	8.021
CABLE, Hood Latch Release .....	8.075		
CASE, Heater and Defroster .....	8.857	J	
CASE, Heater Core .....	8.854	JACK, auto Jack .....	8.820
CATCH, Hood Latch .....	8.080		
CLAMP, Heater Core .....	8.854	K	
CLAMP, Heater Water Flow .....	8.866	KNOB, Heater Control .....	8.852
CLIP, Front Fender .....	8.154		
CONTROL, Heater .....	8.849	L	
CONTROL, Heater Water Flow .....	8.866	LAMP, Underhood .....	8.890
CORE, Heater Core .....	8.854	LETTER KIT, Hood Panel Ornamentation .....	8.055
COVER, Heater Core .....	8.854	LOUVER, Front Fender Name .....	8.147
D			
DECAL, Front Fender and Body Ornamentation ..	8.132		
DECAL, Hood Panel Ornamentation .....	8.055		
E			
ELBOW, Heater Motor Cool .....	8.859		
EMBLEM, Front Fender Name .....	8.147		
EMBLEM, Hood Panel Ornamentation .....	8.055		
EMBLEM KIT, Front Fender Name .....	8.147		
EXTENSION, Fender Wheelhouse .....	8.155		
EXTENSION, Front Fender .....	8.153		
EXTENSION, Front Fender Panel .....	8.131		

## ALPHABETICAL INDEX

M			
MOLDING, Front Fender and Body		SHIM, Hood Hinge .....	8 016
Ornamentation .....	8.132	SKIRT, Front Fender .....	8.153
MOLDING KIT, Hood Panel .....	8.015	SLEEVE, Heater .....	8.846
MOLDING, Rocker Panel .....	8.304	SPRING, auto Jack .....	8.820
MOTOR, Heater Blower Motor .....	8.855	SPRING, Hood Latch .....	8.083
		SPRING, Hood Latch .....	8.085
		STRAP, Heater Core .....	8.854
		STRIKER, Hood Latch .....	8.080
		STRIPE, Front Fender and Body Ornamentation .....	8.132
		STRIPE, Hood Panel Ornamentation .....	8.055
		SUPPORT, Hood Panel .....	8.015
		SWITCH, Heater Control .....	8.852
N		T	
NIPPLE, Heater Water Flow .....	8.866		
NUMERAL, Hood Panel Ornamentation .....	8.055	TAPE, Front Fender and Body Ornamentation .....	8.132
NUT, Front Fender .....	8.147	TERMINAL, Heater Blower Motor .....	8.855
NUT, Heater and Defroster .....	8.857	TOOL, Wheel and Jack Wrench .....	8.821
NUT, Hood Panel Closing .....	8.024		
NUT, Rocker Panel Molding .....	8.309		
NUT, Underhood .....	8.890		
O		V	
ORNAMENT, Hood Panel Ornamentation .....	8.055	VALVE, Heater Temperature Control .....	8.850
P		W	
PANEL, Front Fender .....	8.130	WASHER, Front Fender .....	8.143
PANEL, Panel .....	8.000	WRENCH, Wheel and Jack Wrench .....	8.821
PIN, Hood Latch .....	8.080		
PIN, Hood Latch Release Cable .....	8.077		
PIPE, Heater .....	8.846		
PLATE, Front Fender and Body Ornamentation .....	8.132		
PLATE, Front Fender Name .....	8.147		
PLATE, Heater .....	8.845		
PLATE, Heater .....	8.849		
PLATE, Heater and Defroster .....	8.857		
PLATE, Hood Latch .....	8.083		
PLATE, Hood Latch .....	8.080		
PLATE, Hood Panel .....	8.021		
PLATE, Hood Panel Ornamentation .....	8.055		
PLUG, Hood Latch Release .....	8.075		
R			
REINFORCEMENT, Fender Wheelhouse .....	8.155		
REINFORCEMENT, Front Fender .....	8.141		
REINFORCEMENT, Hood Latch .....	8.080		
RESISTOR, Heater Blower Motor .....	8.855		
RETAINER, auto Jack .....	8.820		
RETAINER, Fender Wheelhouse .....	8.155		
RETAINER, Front Fender Molding .....	8.133		
RETAINER, Front Fender Name .....	8.147		
RETAINER, Front Fender .....	8.141		
RETAINER, Hood Latch .....	8.085		
RETAINER, Hood Latch Release Cable .....	8.077		
RETAINER, Hood Panel .....	8.021		
RETAINER, Rocker Panel Molding .....	8.309		
S			
SCREW, Front Fender .....	8.143		
SCREW, Front Fender Name .....	8.147		
SCREW, Hood Latch .....	8.080		
SCREW, Rocker Panel Molding .....	8.309		
SEAL, Front Fender .....	8.154		
SEAL, Heater .....	8.845		
SEAL, Heater Core .....	8.854		
SEAL, Hood Panel Ornamentation .....	8.055		
SEAT, Hood Latch .....	8.085		
SHIELD, Front Fender .....	8.153		

**FRONT END SHEET METAL-HEATER**

**8.000 HOOD-PANEL, Panel**

NOTE 1: ON 1963 CORVETTES IT MAY BE NECESSARY TO REWORK THE ORNAMENTAL GRILLE RECESS TO INSTALL ORNAMENTS.  
 NOTE 2: WHEN USING ON SOME 1965 MODELS, THE HOOD SUPPORT TAPPING PLATE MUST BE RELOCATED BY TRANSFERRING FROM LEFT SIDE OF 1965 HOOD TO RIGHT SIDE OF 1966 HOOD.  
 NOTE 3: IF A HOOD SUPPORT IS NEEDED ORDER PART 3996865.

82	Y	14033721	1	409.00	HOOD
63-67	Y (EXC. 396, 427)	3857463	1	359.00	PANEL (NOTE 1)
65-68	Y (396, 427) W/SP. H/PER.	3874793	1	359.00	PANEL (NOTE 2)
67	Y (427)	6263573	1	359.00	PANEL
68-69	Y (EXC. 427)	3996865	1	423.00	PANEL (NOTE 3)
68-69	Y (427) (EXC. H.D.)	3996864	1	423.00	PANEL
70-72	Y (350) (EXC. SP. H/PER.)	3996865	1	423.00	PANEL (NOTE 3)
70-71	Y (350, 454) W/SP. H/PER., H/PER.	3996864	1	423.00	PANEL
72	Y (350) W/SP. H/PER.	3996864	1	423.00	PANEL
72	Y (454)	3996864	1	423.00	PANEL
73-75	Y	327884	1	423.00	PANEL
76	Y	362941	1	426.00	PANEL
77-79	Y	472799	1	409.00	PANEL
80-81	Y	14007087	1	409.00	PANEL

**8.015 BOLT -HINGE-MOLDING KIT-SUPPORT, Hood Panel**

78-82	Y	367499	AR	1.85	BOLT (M10 X 1.5 W/CON SPR WA ORG BL)
58-82	Y	3740285	LH	13.80	HINGE
58-82	Y	3740286	RH	13.80	HINGE
63-67	Y	3797061	LH	13.80	HINGE
63-67	Y	3797062	RH	13.80	HINGE
68-82	Y	3912639	LH	7.20	HINGE
68-82	Y	3912640	RH	7.20	HINGE
68-72	Y (427, 454)	3929259	LH	14.30	MOLDING KIT, HOOD PNL
68-72	Y (427, 454)	3929280	RH	14.30	MOLDING KIT, HOOD PNL
70-72	Y (350) W/SP. H/PER.	3929259	LH	14.30	MOLDING KIT, HOOD PNL
70-72	Y (350) W/SP. H/PER.	3929280	RH	14.30	MOLDING KIT, HOOD PNL
58-82	Y	3739384	1	45.50	SUPPORT, HOOD
63-67	Y	3797079	1	25.25	SUPPORT, HOOD
68-71	Y	3936301	1	26.25	SUPPORT, HOOD
72-76	Y	3996865	1	26.25	SUPPORT, HOOD
77-82	Y	461086	1	24.25	SUPPORT, HOOD HOLD OPEN

**8.016 GROMMET-SHIM, Hood Hinge**

78-82	Y	1264963	AR	.33	GROMMET, HOOD HGE (I.D. .28-OD .8 PANEL)
63-82	Y	3986709	AR	.44	SHIM, HOOD HINGE (TO FRT FDR SKIRT) (1/16")
77-82	Y	461034	AR	.50	SHIM, HOOD LATCH STRIKER (THIN)

**8.021 INSULATOR-PLATE-RETAINER, Hood Panel**

NOTE 1: FOR 1976-78, MUST BE TRIMMED AS REQUIRED.

73-75	Y	6263599	1	16.50	INSULATOR
76-79	Y	472800	1	15.40	INSULATOR, (NOTE 1)
68-69	Y (EXC. H.D. 427)	3078511	AR	.21	PLATE, INSULATOR
73-74	Y	3078511	AR	.21	PLATE, INSULATOR
68-69	Y (EXC. H.D. 427)	3958883	AR	.42	RETAINER, INSULATOR
73-79	Y	3958883	AR	.42	RETAINER, INSULATOR
75-82	Y	3977775	AR	.38	RETAINER, HOOD INSUL (2.00 DIA PLASTIC)

**8.024 BUMPER-NUT, Hood Panel Closing**

58-79	Y	400765	AR	.90	BUMPER, W/BOLT
74-79	Y	459306	AR	1.25	BUMPER, HOOD SUPT
74-75	Y	3762180	AR	.45	BUMPER (SEE GROUP 7.800 FOR USAGE)
74-76	Y	3792828	2	.54	BUMPER, HOOD PNL FRT
80-82	Y	14011831	AR	1.25	BUMPER, HOOD SUPT
77-79	Y	371914	3	.66	NUT, HOOD PNL SPL

**8.055 BEZEL-DECAL-EMBLEM -GRILLE-LETTER KIT-NUMERAL-ORNAMENT-PLATE-SEAL-STRIPE, Hood Panel Ornamentation**

NOTE 1: KITS CONTAIN LETTERS C-O-R-V-E-T-T-E AND MOUNTING NUTS.

56-57	Y	3725755	1	11.50	BEZEL, HOOD EMBLEM
58-60	Y	3740239	1	12.00	BEZEL, HOOD
70-72	Y (350) W/SP. H/PER.	3962692	2	2.30	DECAL, HOOD PNL (LT-1)
56-57	Y	3725754	1	14.65	EMBLEM (1.303)
58-60	Y	3796462	1	15.30	EMBLEM (12.182)
62	Y	3796355	1	8.70	EMBLEM

**FRONT END SHEET METAL-HEATER**

**8.055 BEZEL-DECAL-EMBLEM -GRILLE-LETTER KIT-NUMERAL-ORNAMENT-PLATE-SEAL-STRIPE, Hood Panel Ornamentation (Con't)**

73-75	Y	336119	2	6.30	EMBLEM (454)
75-79	Y W/L82	372370	1	5.80	EMBLEM (L-82)
65-66	Y (396, 427)	3868763	LH	8.75	GRILLE, HOOD PNL AIR INLET
65-66	Y (396, 427)	3868764	RH	8.75	GRILLE, HOOD PNL AIR INLET
67	Y (427)	3894551	1	23.30	GRILLE, HOOD PNL
61-82	Y	3782700	1	15.60	LETTER KIT, NAME (NOTE 1)
67-69	Y (427)	3900326	2	2.00	NUMERAL, HOOD PNL (2)
67-69	Y (427)	3900327	2	2.00	NUMERAL, HOOD PNL (7)
67-72	Y (427, 454) (EXC. H.D.)	3900325	2	2.00	NUMERAL, HOOD PNL (4)
70-72	Y (454) (EXC. H.D.)	3963199	2	2.20	NUMERAL, HOOD PNL (5)
69	Y (427) W/H.D. (EXC. ALUM. CYL. & CASE)	3963196	1	5.95	ORNAMENT, HOOD (L-88)
58-60	Y	3740240	1	11.55	PLATE, HOOD, EMBLEM BACKING
66-67	Y	3873776	1	11.55	PLATE, CORVETTE, FRT, RR
58-60	Y	3753163	2	1.00	SEAL
78	Y W/ACNT STRIPE (D88), Z78	476268	1	58.75	STRIPE, HOOD PNL (RED, SILVER)
78	Y W/B2Z	473280	1	31.75	STRIPE, HOOD PNL (SILVER MET, GRAY MET)
81-82	Y	14038248	1	61.25	STRIPE, HOOD CTR (RED, SPECTRA RED, DK CLARET MET)
81-82	Y	14038249	1	61.25	STRIPE, HOOD CTR (LT GRAY, GRAY, CHARCOAL MET)
82	Y07	14045977	LH	3.60	STRIPE, HOOD RR (DK BEIGE)
82	Y07	14045978	RH	3.60	STRIPE, HOOD RR (DK BEIGE)
82	Y07	14045979	1	72.00	STRIPE, HOOD CTR (DK BEIGE)
82	Y87 W/ACNT STRIPE (D88)	14045987	1	61.25	STRIPE, HOOD CTR (LT BLUE, MED BLUE, DK BLUE MET)

**8.075 CABLE-PLUG, Hood Latch Release**

NOTE 1: CABLES 461040 AND 473284 ARE NOT INTERCHANGEABLE DUE TO DIFFERENCE IN LENGTH AND METHOD OF ATTACHMENT.

58-62	Y	1990911	1	17.05	CABLE, W/HANDLE, REL
63-67	Y	3797115	RH	3.35	CABLE, HOOD LK REL
63-75	Y	3797115	1	3.35	CABLE, FLDG TOP RR BOW LK, COMPT LID
63-66	Y (EXC. A.C.)	3820887	LH	12.80	CABLE
67	Y	3900251	LH	11.50	CABLE
68-82	Y	14030127	1	14.60	CABLE, LAT
68	Y (2ND DESIGN)	3797115	1	3.35	CABLE, FLDG TOP RR BOW LK, COMPT LID
68	Y (3RD DESIGN)	3947959	1	7.10	CABLE, ACTIVATING
69	Y (1ST DESIGN)	3947959	1	7.10	CABLE, ACTIVATING (33" LONG)
69-76	Y (2ND DESIGN)	3966626	1	9.30	CABLE, ACTR (31 3/4" LONG)
77	Y	461040	1	8.70	CABLE, LATCH ACTR (NOTE 1)
78-82	Y	473284	1	8.70	CABLE, LATCH ACTR (NOTE 1)
68-71	Y	4744981	1	.33	PLUG, CABLE (12.491)

**8.077 GROMMET-GUIDE-PIN-RETAINER, Hood Latch Release Cable**

63-67	Y	3839173	1	.35	GROMMET, REL CABLE (12" DASH PANEL)
68-76	Y	3931650	1	.63	GROMMET, CABLE
77-82	Y	461039	1	.71	GROMMET, LATCH CABLE
53-59	Y	3796374	AR	.40	GUIDE, ROD STOP (3.483)
58-80	Y	3796374	AR	.40	GUIDE, LK REL CABLE (3.483)
76-82	Y	3947983	2	.48	PIN, LATCH CATCH
80-82	Y	14030128	1	.35	RETAINER, LATCH CABLE

**8.080 BRACKET-CATCH-PIN-PLATE-REINFORCEMENT-SCREW- STRIKER, Hood Latch**

NOTE 1: WHEN USING AS LH CUT THE HOOD CATCH RELEASE BRACKET FLUSH W/THE HOOD LOCKCATCH, ALSO DRILL 1/8" HOLE THRU THE HOOD LOCK CATCH.

NOTE 2: WHEN USING 476240 IN PLACE OF 461018 FOR 1977, REMOVE 473288 CABLE RELEASE BRACKET TO ATTACH ACTUATOR CABLE 461040.

77	Y	461017	LH	13.15	BRACKET, LATCH REL
77	Y	461018	RH	13.15	BRACKET, LATCH REL
78-82	Y	476239	LH	13.15	BRACKET, LATCH REL
78-82	Y	476240	RH	13.15	BRACKET, LATCH REL (NOTE 2)
53-57	Y	3708886	2	25.25	CATCH (NOTE 1)
63-67	Y	3841437	1	26.50	CATCH, RH AND LH HOOK LK
76	Y	3738054	1	.36	PIN, HOOD LATCH SAFETY CATCH
68-76	Y	3976456	1	3.30	PLATE, LK BOLT AND BPR MT BRKT TAPPING
68-76	Y	3914320	1	8.60	REINFORCEMENT, HOOD LK CATCH
77-82	Y	14016041	1	2.50	REINFORCEMENT, HOOD LATCH DASH

**FRONT END SHEET METAL-HEATER**

**8.080 BRACKET-CATCH-PIN-PLATE-REINFORCEMENT-SCREW- STRIKER, Hood Latch (Con't)**

80-82 Y	473892 AR	.43	SCREW, HEX 5X16-18X7/8MA W/CON WA 275
77-82 Y	14011860 2	1.80	STRIKER, HOOD LATCH

**8.083 PLATE-SPRING, Hood Latch**

68-76 Y	3966627 LH	13.00	PLATE, LK CATCH
69-76 Y (2ND DESIGN)	3966628 RH	31.50	PLATE, LK CATCH
77-82 Y	461024 1	.57	SPRING, HOOD LAT RATCHET AND PAWL
77-82 Y	461031 1	1.65	SPRING, HOOD LAT POP-UP

**8.085 BOLT -BRACKET-RETAINER-SEAT-SPRING, Hood Latch**

61-67 Y	3782560 1	1.60	BOLT (1/2"-20 X 3 3/4" O.L. W/CONE POINT)
69-76 Y	3966625 2	2.30	BOLT, HOOD LK REL (2 1/2" O.L.)
68-76 Y	3930181 LH	6.20	BRACKET, LK REL AND BOLT MT
68-76 Y	3966624 RH	10.45	BRACKET, LK BOLT AND BPR MT
69-76 Y	3966623 2	1.35	RETAINER, LK REL
60-76 Y	3787846 AR	1.05	SEAT, HOOD LK SPRING
63-76 Y	3841439 AR	1.60	SPRING, LK CATCH
66-76 Y	3918597 2	.75	SPRING, LK REL BOLT
68-76 Y	3930191 1	4.80	SPRING, LK REL ARM RTN

**8.130 PANEL, Front Fender**

NOTE 1: WHEN USING 327653 IN PLACE OF 342229, LOCATE AND DRILL HOLE FOR MOUNTING THE ANTI-THEFT LOCK.

NOTE 2: IT MAY BE NECESSARY TO REMOVE LWR, INSIDE TAB FOR ATTACHING GRILLE AND BOSS ON INSIDE UPPER CORNER WHEN INSTALLING ON 1965 MODELS.

NOTE 3: CONTAINS: PANEL, REINFORCEMENTS, SHIMS, RIVET, CEMENT.

NOTE 4: OPTION QBS INDICATES A TIRE SIZE OF P255/60-R15.

NOTE 5: WHEN USING ON MODEL YEARS PRIOR TO 1980, DEALER TO FILL EXISTING HOLES WITH PLASTIC COMPOUND AND REDRILL HOLES AS REQUIRED.

NOTE 6: WHEN USING 3995076 PANEL ON SOME 1968 MODELS, IT MAY BE NECESSARY TO USE 3938115-6 HEADLAMP HOUSINGS DUE TO LARGER OPENING IN PANEL.

63-67 Y	3831929 LH	61.50	PANEL, LWR FRT (NOTE 2)
63-67 Y	3831930 RH	61.50	PANEL, LWR FRT (NOTE 2)
63-64 Y	3833357 LH	85.00	PANEL, LWR RR
63-64 Y	3833358 RH	85.00	PANEL, LWR RR
63-66 Y	3864695 1	123.00	PANEL, UPR FRT (REPAIR)
65-66 Y	3857525 LH	65.00	PANEL, LWR RR
65-66 Y	3857526 RH	65.00	PANEL, LWR RR
67 Y	3897403 LH	63.00	PANEL, LWR RR
67 Y	3897404 RH	63.00	PANEL, LWR RR
67 Y	3897450 1	201.00	PANEL, UPR
68-69 Y	3963181 LH	133.00	PANEL, LWR
68-69 Y	3963182 RH	133.00	PANEL, LWR
68-72 Y	3995076 1	555.00	PANEL, UPR (NOTE 6)
70-72 Y	3977865 LH	152.00	PANEL, LWR
70-72 Y	3977866 RH	152.00	PANEL, LWR
73-74 Y	327655 1	555.00	PANEL, FRT FDR
73-82 Y	6259431 LH	107.00	PANEL, UPR (REPAIR)
73-82 Y	6259432 RH	107.00	PANEL, UPR (REPAIR)
73-82 Y	6259434 1	75.00	PANEL, UPR RR (REPAIR)
73-74 Y	6259655 1	309.00	PANEL, UPR FRT (REPAIR) (NOTE 3)
73-79 Y (EXC QBS)	327653 LH	113.00	PANEL, F/FDR LWR (NOTE 4)
73-79 Y (EXC QBS)	327654 RH	113.00	PANEL, F/FDR LWR (NOTE 4)
75-82 Y	14024458 1	309.00	PANEL, UPR FRT (REPAIR)
75-81 Y	14042294 1	550.00	PANEL, UPR FRT (NOTE 5)
78-79 Y (EXC. QBS)	327653 LH	113.00	PANEL, LWR (NOTE 1,4)
78-79 Y (EXC. QBS)	327654 RH	113.00	PANEL, LWR (NOTE 4)
78-79 Y W/QBS	472779 LH	113.00	PANEL, LWR (NOTE 4)
78-79 Y W/QBS	472780 RH	113.00	PANEL, LWR (NOTE 4)
78 Y W/278	14004633 LH	113.00	PANEL, LWR
78 Y W/278	14004634 RH	113.00	PANEL, LWR
80-82 Y	14030139 LH	113.00	PANEL, LWR FRT
80-82 Y	14030140 RH	113.00	PANEL, LWR FRT

**8.131 EXTENSION, Front Fender Panel**

61-62 Y	3779240 1	5.20	EXTENSION, ON HDLP
68-72 Y	3927664 RH	6.65	EXTENSION, UPR PNL FRT REINF
68-74 Y	3965781 LH	191.00	EXTENSION,
68-74 Y	3965782 RH	191.00	EXTENSION,

**FRONT END SHEET METAL-HEATER**

**8.132 DECAL-MOLDING-PLATE-STRIPE-TAPE, Front Fender and Body Ornamentation**

NOTE 1: DECAL READS LIMITED EDITION INDIANAPOLIS PACE CAR.

78	Y W/ (Z78)	476281	2	3.45	DECAL, SIDE (RED) (NOTE 1)
58-57	Y	3730107	LH	13.25	MOLDING, RR UPR (ST STEEL)
58-57	Y	3730108	RH	13.25	MOLDING, RR UPR (ST STEEL)
58-61	Y	3733571	LH	10.80	MOLDING, RR LWR (ST STEEL)
58-61	Y	3733572	RH	10.80	MOLDING, RR LWR (ST STEEL)
58-61	Y	3738275	LH	10.80	MOLDING, SI UPR
58-61	Y	3738276	RH	10.80	MOLDING, SI UPR
58-62	Y	3740215	2	30.00	MOLDING, UPPER (CHROME)
58-61	Y	3744867	LH	6.85	MOLDING, UPR HORIZ (CHROME)
58-61	Y	3744868	RH	6.85	MOLDING, UPR HORIZ (CHROME)
58-61	Y	3744869	LH	6.85	MOLDING, CTR HORIZ (CHROME)
58-61	Y	3744870	RH	6.85	MOLDING, CTR HORIZ (CHROME)
58-61	Y	3744871	LH	6.85	MOLDING, LWR HORIZ (CHROME)
58-61	Y	3744872	RH	6.85	MOLDING, LWR HORIZ (CHROME)
82	Y	1155747	1	6.45	MOLDING, F/FDR (BLACK)
82	Y	1155748	1	6.45	MOLDING, F/FDR (WHITE)
58-61	Y	3747070	2	.33	PLATE, RKR PNL LWR MLDG SEALING
78	Y W/ACNT STRIPE (D88), B2Z	473265	LH	27.75	STRIPE, LWR (SILVER MET, GRAY MET)
78	Y W/ACNT STRIPE (D88), B2Z	473266	RH	27.75	STRIPE, LWR (SILVER MET, GRAY MET)
78	Y W/ACNT STRIPE (D88), B2Z	473269	LH	12.35	STRIPE, SI VENT (SILVER MET, GRAY MET)
78	Y W/ACNT STRIPE (D88), B2Z	473270	RH	12.35	STRIPE, SI VENT (SILVER MET, GRAY MET)
78	Y W/ACNT STRIPE (D88), B2Z	473275	LH	15.75	STRIPE, UPR (SILVER MET, GRAY MET)
78	Y W/ACNT STRIPE (D88), B2Z	473276	RH	15.75	STRIPE, UPR (SILVER MET, GRAY MET)
81	Y	14038253	LH	14.05	STRIPE, F/FDR UPR (GOLD-GOLD BROWN)
81	Y	14038254	RH	14.05	STRIPE, F/FDR UPR (GOLD-GOLD BROWN)
81	Y W/ACNT STRIPE (D88)	14038251	LH	14.05	STRIPE, F/FDR UPR (LT BLUE, MED BLUE)
81	Y W/ACNT STRIPE (D88)	14038252	RH	14.05	STRIPE, F/FDR UPR (LT BLUE, MED BLUE)
81	Y W/ACNT STRIPE (D88)	14038255	LH	14.05	STRIPE, F/FDR UPR (RED, SPECTRA RED)
81	Y W/ACNT STRIPE (D88)	14038256	RH	14.05	STRIPE, F/FDR UPR (RED, SPECTRA RED)
81	Y W/ACNT STRIPE (D88)	14038257	LH	14.05	STRIPE, F/FDR UPR (LT GRAY, GRAY)
81	Y W/ACNT STRIPE (D88)	14038258	RH	14.05	STRIPE, F/FDR UPR (LT GRAY, GRAY)
82	Y07	14045957	LH	11.35	STRIPE, F/FDR UPR (DK BEIGE)
82	Y07	14045958	RH	11.35	STRIPE, F/FDR UPR (DK BEIGE)
82	Y07	14045959	LH	4.35	STRIPE, F/FDR RR (DK BEIGE)
82	Y07	14045960	RH	4.35	STRIPE, F/FDR RR (DK BEIGE)
82	Y07	14045961	LH	10.50	STRIPE, F/FDR WHL OPG (DK BEIGE)
82	Y07	14045962	RH	10.50	STRIPE, F/FDR WHL OPG (DK BEIGE)
82	Y07	14045963	LH	10.25	STRIPE, F/FDR AIR EXTRACTOR OTR (DK BEIGE)
82	Y07	14045964	RH	10.25	STRIPE, F/FDR AIR EXTRACTOR OTR (DK BEIGE)
82	Y07	14045965	LH	9.10	STRIPE, F/FDR AIR EXTRACTOR INR (DK BEIGE)
82	Y07	14045966	RH	9.10	STRIPE, F/FDR AIR EXTRACTOR INR (DK BEIGE)
82	Y07	14045967	LH	12.45	STRIPE, F/FDR AIR EXTRACTOR CTR (DK BEIGE)
82	Y07	14045968	RH	12.45	STRIPE, F/FDR AIR EXTRACTOR CTR (DK BEIGE)
82	Y87 W/ACNT STRIPE (D88)	14038251	LH	14.05	STRIPE, F/FDR UPR (LT BLUE, MED BLUE)
82	Y87 W/ACNT STRIPE (D88)	14038252	RH	14.05	STRIPE, F/FDR UPR (LT BLUE, MED BLUE)
82	Y87 W/ACNT STRIPE (D88)	14038255	LH	14.05	STRIPE, F/FDR UPR (RED, SPECTRA RED)
82	Y87 W/ACNT STRIPE (D88)	14038256	RH	14.05	STRIPE, F/FDR UPR (RED, SPECTRA RED)
82	Y87 W/ACNT STRIPE (D88)	14038257	LH	14.05	STRIPE, F/FDR UPR (LT GRAY, GRAY)
82	Y87 W/ACNT STRIPE (D88)	14038258	RH	14.05	STRIPE, F/FDR UPR (LT GRAY, GRAY)
78	Y W/ACNT STRIPE (D88), Z78	476261	LH	27.75	TAPE, LWR (RED, SILVER)
78	Y W/ACNT STRIPE (D88), Z78	476262	RH	27.75	TAPE, LWR (RED, SILVER)

**8.133 BOLT-RETAINER, Front Fender Molding**

58-61	Y	3730104	AR	.45	BOLT, UPR AND LWR
58-61	Y	3730268	AR	.54	RETAINER, RR UPR AND LWR MLDG
58-59	Y	3740294	4	.44	RETAINER, SI MLDG
78-82	Y	22506785	AR	.28	RETAINER (1/8 STUD) (8.309)

**8.141 BONDING STRIP-CABLE-REINFORCEMENT-RETAINER, Front Fender**

NOTE 1: ON 1962 MODELS, CUT AS REQUIRED.

NOTE 2: WHEN USING 3976466 IN PLACE OF 3918508, REWORK UPR. FRT. FLANGE AS REQD.

NOTE 3: WHEN USING IN PLACE OF 331807 LH OR 331808 RH BONDING STRIP DEALERS WILL BE REQUIRED 08820ILD UP APPROX. 1 SQ. INCH AT FRT. CORNER.

63-67	Y	3797477	LH	5.50	BONDING STRIP, LWR FRT TO GRILLE PNL
-------	---	---------	----	------	--------------------------------------



**FRONT END SHEET METAL-HEATER**

**8.141 BONDING STRIP-CABLE-REINFORCEMENT-RETAINER, Front Fender (Con't)**

63-67 Y	3797478 RH	5.50	BONDING STRIP, LWR FRT TO RAD GRILLE LWR PNL
63-67 Y	3797479 LH	13.90	BONDING STRIP, LWR TO FRT LWR RR
63-67 Y	3797480 RH	13.90	BONDING STRIP, LWR TO FRT LWR RR
63-67 Y	3849213 LH	33.25	BONDING STRIP, FRT UPR TO FRT LWR
63-67 Y	3849214 RH	33.25	BONDING STRIP, FRT UPR TO FRT LWR
68-72 Y	3976466 LH	6.60	BONDING STRIP, LWR TO RAD GRILLE LWR PNL
68-72 Y	3976466 RH	6.60	BONDING STRIP, LWR TO RAD GRILLE LWR PNL (NOTE 2)
68-72 Y	3998841 LH	33.25	BONDING STRIP, FRT UPR TO FRT LWR
68-72 Y	3998842 RH	33.25	BONDING STRIP, FRT UPR TO FDR LWR
73-82 Y	14015287 LH	25.75	BONDING STRIP, FRT UPR TO FDR LWR (NOTE 3)
73-82 Y	14015288 RH	25.75	BONDING STRIP, FDR UPR TO FDR LWR (NOTE 3)
78-82 Y	476231 2	2.85	CABLE, UPR
73-79 Y	331853 LH	4.15	REINFORCEMENT, LWR FRT LWR
73-79 Y	331854 RH	4.15	REINFORCEMENT, LWR FRT LWR
78-82 Y	476229 LH	1.70	REINFORCEMENT, UPR PNL
78-81 Y	476230 RH	1.70	REINFORCEMENT, UPR PNL
80-82 Y	14015229 LH	6.45	RETAINER, FRT FDR LWR
80-82 Y	14015230 RH	6.45	RETAINER, FRT FDR LWR

**8.143 SCREW -WASHER, Front Fender**

53-69 Y	3650059 20	.35	SCREW (NO. 14-10 X 3/4")
65-77 Y	3704579 AR	.30	WASHER, SKIRT (9/32 I.D. X 1 1/8 O.D. X 3/64 THICK) (STEEL)
80-81 Y	3958325 4	.57	WASHER, FRT WHL HSE PNL

**8.147 EMBLEM -EMBLEM KIT-LOUVER-NUT-PLATE -RETAINER- SCREW, Front Fender Name**

57 Y W/F.I.	3767507 1	5.25	EMBLEM (CROSSED FLAGS)
62-66 Y	3872930 2	5.30	EMBLEM (V-CROSSED FLAGS)
66-67 Y (427)	3876425 2	7.20	EMBLEM (427)
69-76 Y	3956216 2	6.95	EMBLEM, ST (STINGRAY)
77-79 Y	466652 2	8.45	EMBLEM, LWR (CROSSED FLAGS)
80 Y W/L82	14016115 2	8.45	EMBLEM, LWR
82 Y	14043085 2	9.65	EMBLEM (CROSS-FIRE INJECTION)
85 Y (396)	3872997 2	8.65	EMBLEM KIT, ST (396)
69 Y	3945247 LH	9.55	LOUVER
69 Y	3945248 RH	9.55	LOUVER
70-72 Y	3995017 LH	100.00	LOUVER
70-72 Y	3995018 RH	100.00	LOUVER
80-82 Y	14038239 LH	4.20	LOUVER
80-82 Y	14038240 RH	4.20	LOUVER
69 Y	3945656 16	.75	NUT, LOUVER (BLACK RUBBER) (8.133)
53-55 Y	3759599 2	6.05	PLATE (CHEVROLET)
57 Y W/F.I.	3742212 2	4.23	PLATE (FUEL INJECTION)
58-61 Y	3746457 2	5.25	PLATE (FUEL INJECTION)
61 Y	3779671 2	8.80	PLATE (CORVETTE)
65 Y W/F.I.	3857572 2	7.70	PLATE (FUEL INJECTION)
70-72 Y	3976459 2	1.35	RETAINER, LOUVER MLDG (8.133)
70-72 Y	3966552 4	.35	SCREW, LOUVER (10-16 X 7/8") (8.133)

**8.153 EXTENSION-SHIELD-SKIRT, Front Fender**

NOTE 1: ON 1968 MODELS IT WILL BE NECESSARY TO ALSO USE ONE REINFORCEMENT 3953051 IN GROUP 8.155.

NOTE 2: WHEN USING ON MODELS PRIOR TO 1973, REWORK FRONT LOWER CORNER AS REQD.

NOTE 3: WHEN USING IN PLACE OF 3914342 ADD HOLES IN FENDER SKIRT.

70-73 Y	3976444 RH	5.95	EXTENSION, SKIRT
80-82 Y	14015279 LH	30.75	EXTENSION, F/FDR WHL HSE
80-82 Y	14015280 RH	30.75	EXTENSION, F/FDR WHL HSE
63-67 Y	3797275 LH	9.85	SHIELD, SKIRT SPLASH (STEEL)
63-67 Y	3797276 RH	9.85	SHIELD, SKIRT SPLASH (STEEL)
63-67 Y	3908199 2	2.95	SHIELD, DUST
68-79 Y	3914340 RH	7.80	SHIELD, SKIRT SPLASH
68-82 Y	3947933 LH	3.40	SHIELD, DUST (NOTE 3)
68-82 Y	3947934 RH	3.40	SHIELD, DUST (NOTE 3)
70-79 Y	3974017 LH	8.85	SHIELD, SKIRT SPLASH
58-62 Y	3739371 LH	138.00	SKIRT
63-67 Y	3886893 LH	115.00	SKIRT
63-67 Y	3908198 RH	115.00	SKIRT
68-73 Y	331857 LH	90.50	SKIRT (NOTE 1...2)

**FRONT END SHEET METAL-HEATER**

**8.153 EXTENSION-SHIELD-SKIRT, Front Fender (Con't)**

88-73	Y	331858	RH	90.50	SKIRT
74-79	Y	339104	RH	89.50	SKIRT
74-79	Y	472777	LH	89.50	SKIRT
80-82	Y	14018086	RH	74.00	SKIRT
80-82	Y	14045985	LH	74.00	SKIRT

**8.154 CLIP-SEAL, Front Fender**

88-79	Y	9792217	18	.36	CLIP
53-79	Y	3998620	AR	.66	SEAL (9/16" X 3/4" X 10 FT.)

**8.155 EXTENSION-REINFORCEMENT-RETAINER, Fender Wheelhouse**

73-79	Y	331877	LH	2.55	EXTENSION, UPR PNL FRT REINF
73-79	Y	331878	RH	2.55	EXTENSION, UPR PNL FRT REINF
63-67	Y	3797424	AR	23.15	REINFORCEMENT, SKIRT
68-82	Y	14015248	RH	4.85	REINFORCEMENT, SKIRT
69-82	Y	14015247	LH	4.85	REINFORCEMENT, SKIRT
73-74	Y	331831	LH	4.85	REINFORCEMENT, LWR FRT UPR
73-74	Y	331832	RH	4.85	REINFORCEMENT, LWR FRT UPR
75-79	Y	368639	LH	5.25	REINFORCEMENT, LWR FRT, UPR
75-79	Y	368640	RH	5.25	REINFORCEMENT, LWR FRT, UPR
73-75	Y	331839	1	6.95	RETAINER, BPR FACE BAR CVR UPR
73-75	Y	331840	1	10.65	RETAINER, BPR FACE BAR CVR LWR

**8.304 MOLDING, Rocker Panel**

62	Y	3820541	LH	50.50	MOLDING (PAINTED)
62	Y	3820542	RH	50.50	MOLDING (PAINTED)
63	Y	3834713	AR	52.50	MOLDING, LEFT OR RIGHT
64	Y	3849594	AR	58.25	MOLDING, LEFT OR RIGHT
65	Y (EXC SI MT EXH)	3859798	1	50.50	MOLDING, LEFT OR RIGHT
65-67	Y W/SI MT EXH	3933846	AR	50.50	MOLDING, BODY SILL
66	Y (EXC SI MT EXH)	3933847	2	48.50	MOLDING, LEFT OR RIGHT
67	Y (EXC SI MT EXH)	3933848	2	54.00	MOLDING, LEFT OR RIGHT
68-69	Y	3933893	LH	31.75	MOLDING, UPR
68-69	Y	3933894	RH	31.75	MOLDING, UPR
68-69	Y (EXC SI MT EXH)	3936367	LH	28.25	MOLDING, LWR
68-69	Y (EXC SI MT EXH)	3936368	RH	28.25	MOLDING, LWR
70-77	Y	3977623	LH	44.50	MOLDING, BODY SILL
70-77	Y	3977624	RH	44.50	MOLDING, BODY SILL
78	Y W/P255-60 TIRES (QBS)	472749	LH	56.00	MOLDING, BODY SILL
78	Y W/P255-60 TIRES (QBS)	472750	RH	56.00	MOLDING, BODY SILL
78	Y W/Z78	476249	LH	57.00	MOLDING, BODY SILL
78	Y W/Z78	476250	RH	57.00	MOLDING, BODY SILL
79	Y	472749	LH	56.00	MOLDING, BODY SILL
79	Y	472750	RH	56.00	MOLDING, BODY SILL
80	Y	14015283	LH	56.00	MOLDING, BODY SILL
80	Y	14015284	RH	56.00	MOLDING, BODY SILL
81-82	Y	14030131	LH	56.00	MOLDING, BODY SILL
81-82	Y	14030132	RH	56.00	MOLDING, BODY SILL

**8.309 NUT-RETAINER-SCREW, Rocker Panel Molding**

63-67	Y	3842929	AR	.59	NUT, MLDG (NO. 10-12)
62	Y	3886638	4	.50	RETAINER, SILL MLDG
63-67	Y	3844179	2	2.90	RETAINER, MLDG
79-82	Y	22506785	AR	.28	RETAINER (1/8 STUD)
70-76	Y	3966677	12	.35	SCREW, BODY SILL MLDG

**8.820 BOOT -JACK-RETAINER-SPRING, auto Jack**

NOTE 1: WHEN USING IN PLACE OF 3706350, 3813730 OR 3825993 JACK ASMS USE 1-3963108 SPRING ASM.

65-82	Y	3872965	1	.38	BOOT (JACK HANDLE HOLD DOWN)
53-82	Y	14016051	1	47.25	JACK, SCISSOR TYPE (NOTE 1)
81-82	Y	14041104	2	.35	RETAINER, JK STOW SPR
63-82	Y	3963108	1	1.40	SPRING, JK STOW

**8.821 HAMMER-TOOL-WRENCH, Wheel and Jack Wrench**

63-68	Y W/KNOCK OFF WHLS	3859087	1	20.65	HAMMER
82	Y	14048970	1	2.50	TOOL, HUB CAP REMOVAL
63-82	Y	3898172	1	5.30	WRENCH, JACK AND WHL

**8.845 BRACKET-PLATE-SEAL, Heater**

NOTE 1: THIS PLATE INCLUDES OUTLET FOR CLOCK FACE, DEFROSTER, TEMPERATURE, AND AIR KNOBS.

68-74	Y	3840474	2	2.80	BRACKET, HTR AND DEFR (8.857)
58-82	Y	3740281	1	17.35	PLATE, HTR NAME (NOTE 1)
63-67	Y	3825301	AR	2.70	SEAL, HTR AIR INLET TO DASH

**FRONT END SHEET METAL-HEATER**

<b>8.845 BRACKET-PLATE-SEAL, Heater (Con't)</b>					
68-79	Y (EXC A.C.)	3909099	1	1.65	SEAL, HTR CORE PIPE
<b>8.846 BRACKET-HOSE -PIPE-SLEEVE, Heater</b>					
68-78	Y	3914532	1	.35	BRACKET, HTR HOSE CLIP
58-82	Y	3134837	1	2.20	HOSE (MOLDED "L" SHAPE)
63-67	Y	3794094	1	2.65	HOSE (MOLDED "L" SHAPE (USE W/AIR FLOW) THERMOSTAT BY-PASS
68-82	Y	3929006	1	11.70	HOSE, HTR TO WAT PUMP(CUT AS REQ)
74-79	Y W/A.C.	3992177	1	10.45	HOSE, HTR TO WAT SHUT-OFF VLV
75-80	Y	482424	1	N.L.	HOSE, HTR OTLT (FORMED 90 DEG ANGLE)
80-81	Y	499310	1	N.L.	HOSE, INLET
80-82	Y	3992177	1	10.45	HOSE, HTR TO WAT SHUT-OFF VLV
82	Y	3992184	1	13.45	HOSE, HTR INL MANIF TO WAT SHUTOFF VLV
80-82	Y	14020090	1	8.20	PIPE, HTR WAT PUMP
76-82	Y	554853	AR	1.20	SLEEVE, HTR HOSE (1" X 4")

<b>8.849 CONTROL-PLATE, Heater</b>					
69-76	Y (EXC. A.C.)	1223709	1	123.00	CONTROL, W/VLV, HTR PKG
69-76	Y W/A.C.	1223708	1	183.20	CONTROL
77-80	Y (EXC. A.C.)	470394	1	42.50	CONTROL
77-80	Y (EXC. A.C.)	459338	1	6.85	PLATE, CONT FACE

<b>8.850 ACTUATOR-HOSE-VALVE, Heater Temperature Control</b>					
69-71	Y W/A.C.	1998603	1	11.60	ACTUATOR, DiST VAC (9.280)
77-78	Y W/A.C.	1998595	1	8.40	ACTUATOR, A/C HTR DVTR VLV
77-78	Y (EXC. A.C.) (DESIGN 1-1978)	459339	1	12.35	HOSE, CONT
68	Y W/A.C.	7302836	1	3.60	VALVE, HTR AND A/C DEFR VAC
69-76	Y W/MAN CONTROL A.C.	7309780	1	11.45	VALVE, CONT DEFR AND AIR
76	Y W/A.C.	7302836	1	3.60	VALVE, HTR AND A/C DEFR VAC

**8.852 BEZEL-BRACKET-BUSHING-HARNESS-HOUSING-KNOB-SWITCH, Heater Control**

*NOTE: SEE GROUP 9.786 FOR VACUUM VALVE DETAILS AND PART NUMBERS.*

66-67	Y	3875812	AR	1.35	BEZEL, CONT CABLES
76-77	Y	3840474	6	2.80	BRACKET, BLO INLET TO PLENUM (8.857)
77-80	Y (EXC. A.C.)	379997	1	.49	BUSHING, VAC CONT SW (12.009)
77	Y (EXC. A.C.)	8918443	1	34.50	HARNESS, WIRING
78-79	Y (EXC. A.C.)	12005412	1	37.50	HARNESS, WIRING
68-76	Y (EXC. A.C.)	3958739	1	9.75	HOUSING, CONT (CHROME LEVERS APPROX. 1 11/16 FROM CABLE CONN.)
68-76	Y W/A.C.	3942118	1	2.10	HOUSING, CONT
77-82	Y	459355	1	1.30	HOUSING, HTR CONT ILLUM LP
67	Y W/A.C.	3899700	1	2.25	KNOB, DEFR, TEMP, AIR DIV VLV
68-76	Y	3909028	1	7.70	SWITCH, HTR BLO
68-69	Y W/A.C.	3870288	1	3.65	SWITCH, HTR AND A/C BLO LOW (PUSH BUTTON TYPE W/2 TERM)
69-76	Y W/A.C.	3942657	1	6.55	SWITCH, BLO MTR (6 TERMINALS)
69-76	Y W/A.C.	7310365	1	5.30	SWITCH, HTR AND A/C COMP
69-76	Y W/A.C.	7310366	1	5.30	SWITCH, HTR AND A/C LOW BLO
77-79	Y	5638740	1	26.25	SWITCH, WATER SHUT-OFF VLV
77-80	Y (EXC. A.C.)	362536	1	6.25	SWITCH, BLO
77-80	Y (EXC. A.C.)	7397581	1	8.00	SWITCH, VAC CONT
80-82	Y	14009284	1	4.05	SWITCH, HTR WAT SHUT-OFF VLV

**8.854 CASE-CLAMP-CORE-COVER-GASKET-SEAL-STRAP, Heater Core**

*NOTE: ON MODELS PRIOR TO 1965 IT MAY BE NECESSARY TO USE WITH 3859356 SWITCH ASM.*

75-79	Y (EXC. A.C.)	3031825	1	173.00	CASE, W/VLVS
76	Y W/A.C.	3027085	1	138.00	CASE, FRT PLT BAFFLE VLV AND BRKT
77-82	Y	3047715	1	32.75	CASE
64-65	Y W/A.C.	3143488	2	1.85	CLAMP, CORE
68-70	Y W/A.C.	3042867	1	2.40	CLAMP, CORE MT IN-OUT TANK
68-76	Y W/A.C.	3156915	1	1.20	CLAMP, CORE MT
63-67	Y (EXC. A.C.)	3008574	1	47.75	CORE, W/FITTINGS
68-79	Y (EXC. A.C.)	3014900	1	59.70	CORE, W/FITTINGS
68-77	Y W/A.C.	3015145	1	76.55	CORE, W/FITTINGS
78-79	Y W/A.C.	3037379	1	75.55	CORE, HTR
80-82	Y	3037379	1	75.55	CORE, HTR
68-76	Y W/A.C.	3015197	1	6.05	COVER, CORE PIPES TO HSG
80-82	Y	3043422	1	4.65	GASKET, MT
68-76	Y W/A.C.	3015210	1	.56	SEAL, CORE PIPES TO HSG
78-82	Y	3037385	1	.56	SEAL, CORE TUBE
80-82	Y	14009293	1	.56	SEAL, CORE PIPES TO HSG

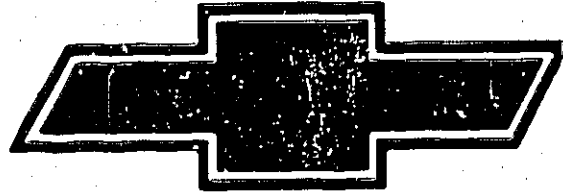
**FRONT END SHEET METAL-HEATER**

<b>8.854</b>		<b>CASE-CLAMP-CORE-COVER-GASKET-SEAL-STRAP, Heater Core</b>			
		<b>(Con't)</b>			
78-79	Y W/A.C.	3042867	1	2.40	STRAP, CORE MT
80-82	Y	3042867	1	2.40	STRAP, CORE MT
<b>8.855</b>		<b>MOTOR -RESISTOR-TERMINAL, Heater Blower Motor</b>			
57-62	Y	5044402	1	72.75	MOTOR (STUDS-2 5/16" CTR)
63-76	Y W/A.C.	22020943	1	61.75	MOTOR (9.215)
64-79	Y (EXC. A.C.)	22021257	1	N.L.	MOTOR, BLO
62-79	Y (EXC. A.C.)	3929052	1	2.75	RESISTOR, HTR
76-82	Y	3033932	1	1.10	TERMINAL, BLO GRD (2.530)
<b>8.857</b>		<b>BRACKET-CASE-FAN-GASKET-NUT-PLATE, Heater and Defroster</b>			
NOTE 1: 1ST DESIGN IS W/O SHORT STACK MOTOR, 2ND DESIGN W/SHORT STACK MTR(GRP 9.216).					
NOTE 2: SEE GROUPS 2.343, 9.786, 12.980 FOR ADDITIONAL USAGE.					
68-82	Y	3840474	AR	2.80	BRACKET, HTR, DEFR BLO MT (NOTE 2)
69-79	Y W/A.C.	3840474	AR	2.80	BRACKET, RCVR DEHYD
68-79	Y (EXC. A.C.)	3014358	1	33.75	CASE, BLO
63-71	Y	3905778	1	N.L.	FAN,
72-77	Y (1ST DESIGN-1977)	3027031	1	N.L.	FAN, (NOTE 1)
77-79	Y (EXC. A.C.)	3027082	1	8.65	FAN
63-67	Y	3143552	1	1.75	GASKET, BLO CASE
53-63	Y (EXC. A.C.)	3130055	1	.30	NUT, RET (USE FANS W/O SET SCREWS)
64-76	Y	3130804	1	.38	NUT, RET (NO. 10-32)
74-77	Y	3011293	1	.35	NUT, BLO TO MTR (5/8" X 3/64" X 5/16")
68-82	Y W/A.C.	3918537	2	.60	PLATE, AIR SEL DUCT MT
<b>8.858</b>		<b>HOUSING, Temperature Control</b>			
78-79	Y W/A.C.	3037381	1	52.00	HOUSING, W/VLV
80-82	Y	3037381	1	52.00	HOUSING, W/VI V
<b>8.859</b>		<b>ELBOW, Heater Motor Cool</b>			
68-82	Y W/A.C.	3013475	1	.69	ELBOW, MOTOR COOLING
<b>8.866</b>		<b>CLAMP-CONTROL-NIPPLE, Heater Water Flow</b>			
78	Y W/A.C.	3037389	1	.57	CLAMP, SPL HTR TUBE
73-79	Y	10007751	1	7.60	CONTROL, HTR COOLANT FLOW
55-82	Y	331967	1	2.55	NIPPLE, HTR TO THERM HSG HOSE, HTR TO INLET MANIF (1/2"-14 X 1 1/2")
64-82	Y	3849848	AR	1.75	NIPPLE, WATER PUMP HOSE (2 25/32 O. L.) (HOSE-5/8)
<b>8.890</b>		<b>LAMP-NUT, Underhood</b>			
77-81	Y	14016284	1	15.00	LAMP
82	Y	14043289	1	15.00	LAMP,
77-82	Y	14048060	2	.54	NUT, LP

MICROFICHE INDEX  
GROUPS 6.000 THRU 8.000  
FICHE 4 OF 6

GROUP DESCRIPTION	STARTING GRID LOCATION	
	PARTS	ILLUSTRATIONS
- INTRODUCTION .....	A-6	H-2
- GENERAL INFORMATION .....	A-2	H-2
- ALPHABETICAL INDEX .....	C-11	N.A.
- INDEX FOR ADDITIONAL INFORMATION .....	A-5	N.A.
6.000 FRONT SUSPENSION - STEERING .....	E-2	H-6
7.000 FRAME - SPRINGS - SHOCKS - BUMPERS .....	F-2	J-2
8.000 FRONT END SHEET METAL - HEATER .....	G-5	L-2
- OUT OF FICHE CALLS .....	N.A.	M-11

**H-1**



# CHEVROLET

## INTRODUCTION

This **ILLUSTRATION CATALOG** has been compiled to assist in the location and identification of service parts.

The illustrations herein may not always show the exact part required, however, for identification purposes the group number or noun name can be readily located from a view covering a typical illustration.

The layout of the information contained in this publication is such that the illustrations can be removed for combining with the Parts Listing Catalog Sections by groups. The "single" catalog concept can be maintained using this system, or the separate Illustration Catalog and Parts Listings Catalogs can be used.

During each calendar year complete reprints of the catalog are published as part of the Catalog Revision Service. New or revised illustrations are mailed to dealers subscribing to the revision service as they are scheduled.

All specifications and illustrations contained in this publication are based on the latest product information available at the time of printing. Warehousing and Distribution Division reserves the right to make changes at any time without notice in data, specifications, material and models.

Due to Engineering and or part number changes, all part number application herein should be verified by referring to the Parts Catalog.



# ILLUSTRATION CATALOG GROUP FORMAT



## GROUP

## CORVETTE ILLUSTRATION CONTENTS

- 
- 0.000** ENGINES — ENGINE TRANSMISSION MOUNTING —  
CLUTCH ASSEMBLIES — CLUTCH LINKAGE
- 
- 1.000** RADIATOR MOUNTING — RADIATOR GRILLES — ENGINE  
OIL PUMPS — PULLEYS & BELTS
- 
- 2.000** STARTER MOTORS — ALTERNATORS — DISTRIBUTORS —  
ALTERNATOR MOUNTINGS — ANTI THEFT SYSTEMS — CHASSIS  
WIRING — FRONT LAMPS — REAR LAMPS
- 
- 3.000** FUEL SUPPLY SYSTEMS — FUEL INJECTION SYSTEMS —  
ACCELERATOR CONTROLS — CRUISE CONTROLS — AIR CLEANER  
& EMISSION PARTS — CARBURETION — EXHAUST SYSTEMS
- 
- 4.000** MANUAL TRANSMISSIONS — LINKAGE — AUTOMATIC  
TRANSMISSIONS — LINKAGE — BRAKES — PARKING BRAKES —  
BRAKE PEDAL — MASTER CYLINDER — VACUUM OR BOOSTER  
CYLINDERS — BRAKE CALIPERS — WHEEL CYLINDERS — BRAKE  
LINES — ANTI-SKID DEVICES
- 
- 5.000** FRONT/REAR DRUM BRAKE — REAR AXLES — LOCKING  
DIFFERENTIAL — WHEEL COVERS
- 
- 6.000** FRONT SUSPENSION — STEERING WHEEL AND HORN PARTS —  
STEERING COLUMN, LINKAGE AND RELATED PARTS —  
STEERING COLUMN (EXPLODED) — STEERING PUMP —  
STEERING PUMP MOUNTINGS
- 
- 7.000** FRAME COMPONENTS — REAR SUSPENSIONS — FRONT BUMPER —  
REAR BUMPER
- 
- 8.000** FRONT END SHEET METAL — WHEEL OPENING COVERS —  
BASE HEATER SYSTEMS — HEATER COMPONENTS OR ASSEMBLIES
- 
- 9.000** BODY MOUNTING — A.C. COMPRESSORS — A. C. REFRIGERATION  
COMPONENTS — A. C. COMPRESSOR MOUNTING (A. C. SYSTEMS-BY  
CARLINE\*) — A. C. REFRIGERATION SYSTEM\* — A. C. AIR  
DISTRIBUTION SYSTEM\* — A. C. CONTROLS\* — A. C. ELECTRICAL\* —  
A. C. HEATER & DEFROSTER ASM/A. C. MODULE/EVAPORATOR &  
BLOWER ASM. — ANTENNAS, RADIOS — INSTRUMENT PANEL  
CLUSTERS — DEFOGGER SYSTEMS — INTERIOR VENTILATION  
SYSTEMS (ALSO SEE GRP. 10 000 INSTR. PNL.)
-



# ILLUSTRATION CATALOG GROUP FORMAT



## GROUP CORVETTE ILLUSTRATION CONTENTS

- |                    |   |
|--------------------|---|
| 10.000             | EXTERIOR VIEWS — WINDSHIELD WIPER & WASHERS — WINDSHIELD WIPER MOTOR & PUMPS — MIRRORS — INSTRUMENT PANEL & HARDWARE — CONSOLES, SEAT SEPARATORS — DOOR HARDWARE: — FRONT DOORS — REAR DOORS — BODY WEATHERSTRIPS |
| 11.000             | QUARTER WINDOW HARDWARE — SEAT BACK LOCKS — AUXILIARY TOP   |
| 12.000             | BODY MOLDINGS/STRIPES/DECALS — BODY SHEET METAL — REAR COMPARTMENT TRIM & HARDWARE (HATCHBACK TYPES) — ROOF OPTIONS - & SPECIAL TOPS — ROOF TOP CARRIERS - RACKS  |
| 13.000             | BODY WIRING — CONVERTIBLE TRIM  |
| 14.000 &<br>15.000 | SEAT STYLES — INTERIOR TRIM — BELT & AIR CUSHION RESTRAINT SYSTEMS — REAR COMPARTMENT TRIMS (ALSO SEE 12 GRP.)  |

NOTE — THIS IS A GENERAL OUTLINE OF THE CURRENT ILLUSTRATION SEQUENCE.



ILLUS

6



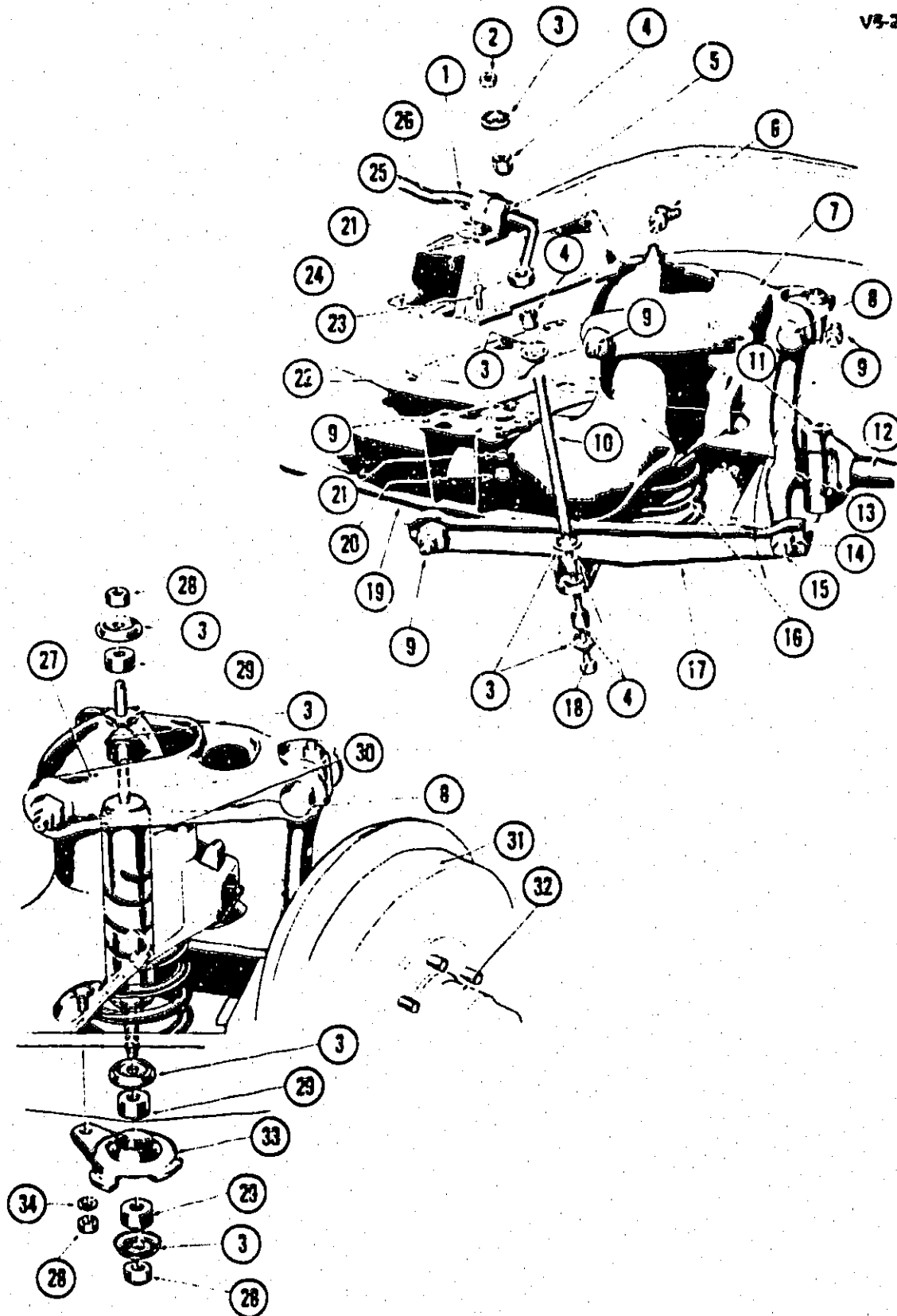
# CHEVROLET CHASSIS GROUP 6.000



## ILLUSTRATION INDEX

	TITLE	GRID
1958-62	*Y* FRONT SUSPENSION .....	H8
1963-65	*Y* FRONT SUSPENSION .....	H10
1965-82	*Y* FRONT SUSPENSION .....	H11
1969-82	*Y* STEERING COLUMN & STEERING LINKAGE .....	H13
1968-76	*Y* STEERING COLUMN (EXCEPT TELESCOPING WHEEL) .....	H15
1968-75	*Y* STEERING WHEEL AND HORN PARTS .....	H16
1965-76	*Y* TELESCOPING STEERING SHAFT ....	H17
1977-82	*Y* STEERING WHEEL & HORN PARTS	H18
1967-68	STEERING COLUMN-STANDARD .....	H19
1967-68	STEERING COLUMN (TILT WHEEL) .....	H20
1969-73	STEERING COLUMN-STANDARD .....	H21
1969-73	*Y* TILT & TILT TELESCOPE STEERING COLUMN .....	H23
1974-80	*Y* STANDARD STEERING COLUMN ....	H25
1974-82	*Y* TILT & TELESCOPE STEERING COLUMN .....	H27
1963-66	*Y* DIRECTIONAL SIGNAL DETAILS .....	I 2
1955-57	POWER STEERING CONTROL VALVE ....	I 3
1963-73	*Y* POWER STEERING CONTROL VALVE .....	I 4
1963-82	POWER STEERING CYLINDER .....	I 5
1963-82	*Y* POWER STEERING CONTROL VALVE & ADAPTER .....	I 6
1960-82	*Y* POWER STEERING CYLINDER .....	I 7
1963-82	POWER STEERING PUMP .....	I 8
1963-69	*Y* POWER STEERING PUMP MOUNTING (327, 350) ....	I 9
1965-74	*Y* POWER STEERING PUMP MOUNTING (396, 427, 454) .....	I 10
1970-82	*Y* POWER STEERING PUMP MOUNTING (305, 350) .....	I 11
1963-82	*Y* STEERING GEAR .....	I 12

V6-22



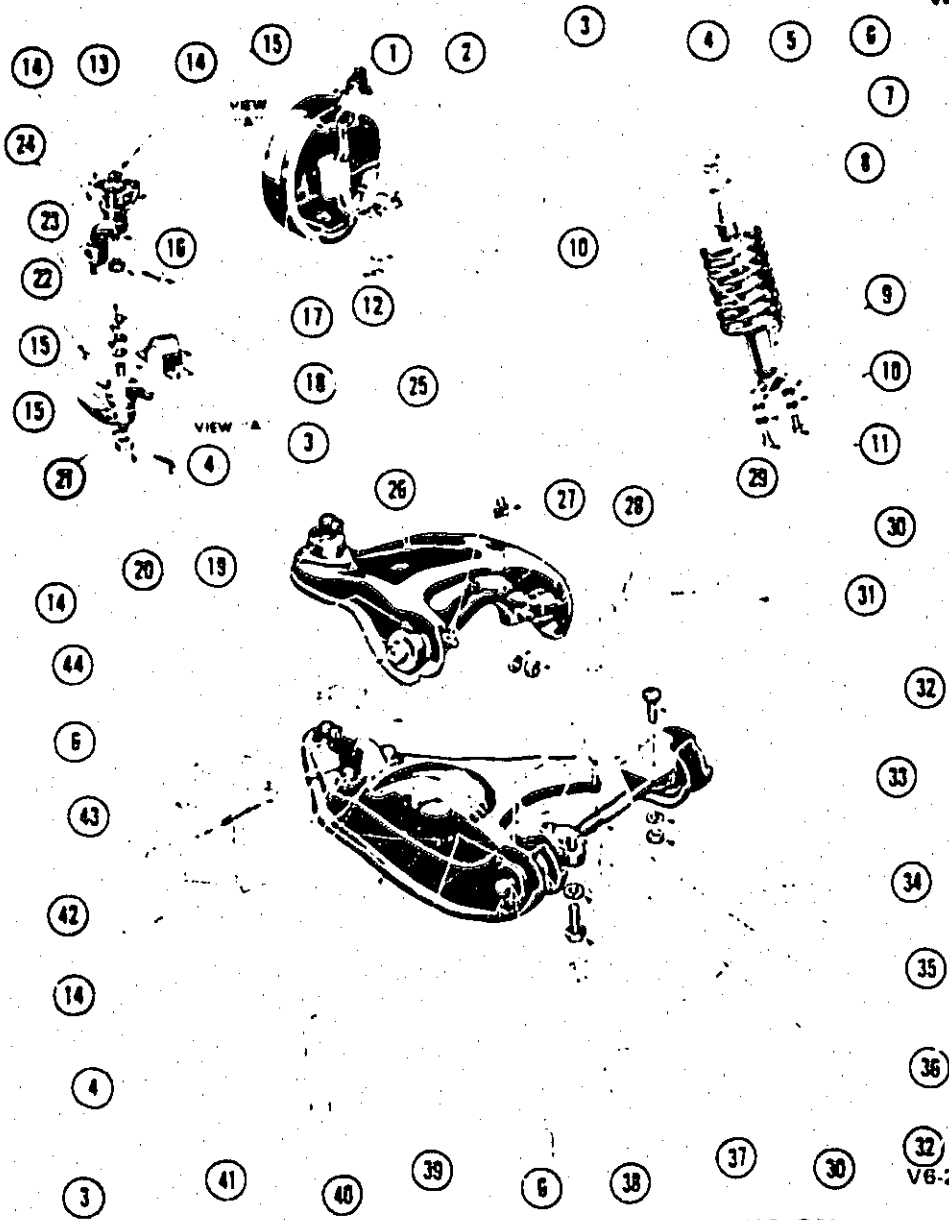
V6-22

1958-62 'Y' FRONT SUSPENSION

V6-22

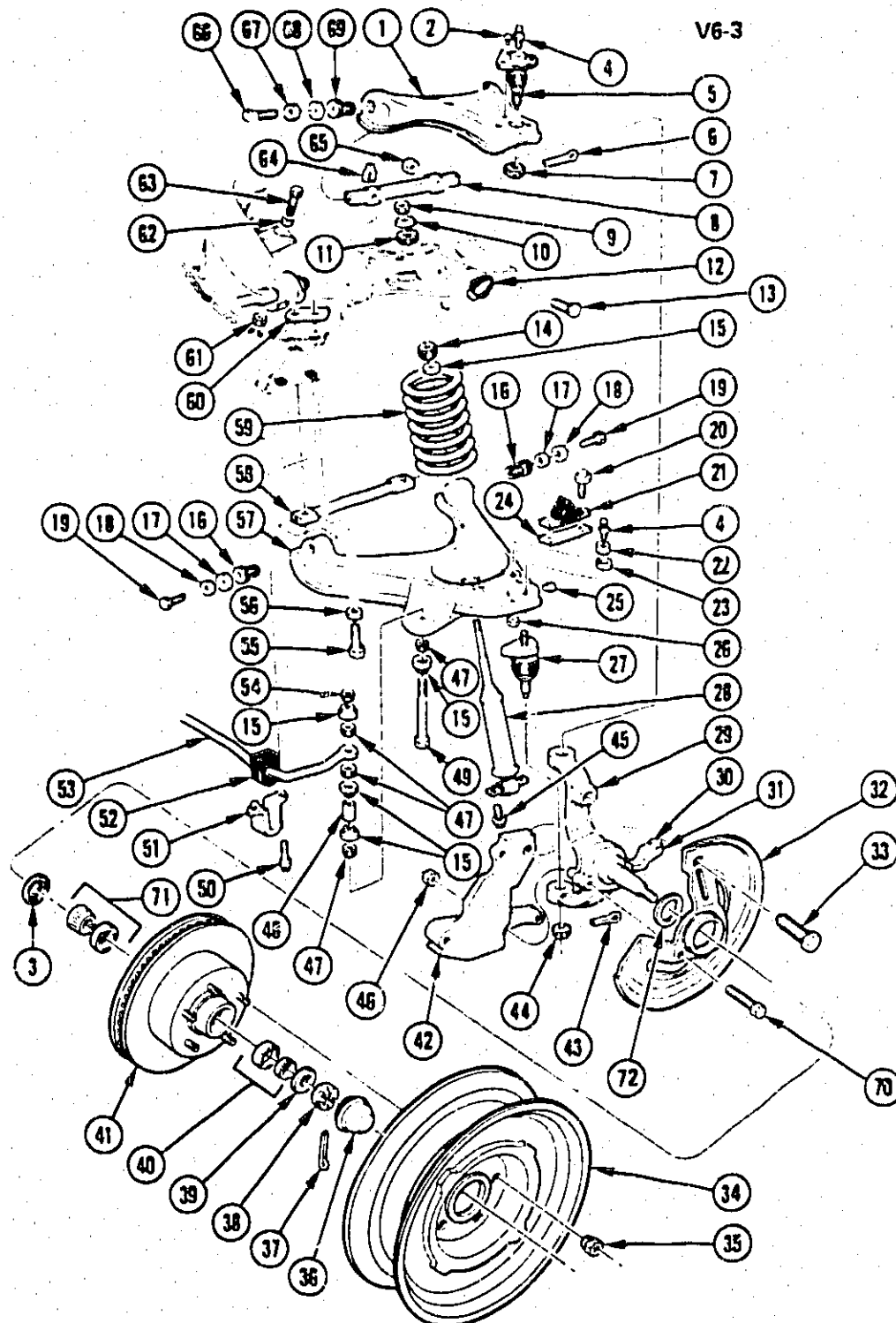
1958-62 'Y' FRONT SUSPENSION

F	5	1. SHAFT .....	7.241
F	5	2. NUT .....	7.238
F	6	3. RETAINER .....	7.245
F	6	4. BUSHING .....	7.244
F	6	5. BUSHING .....	7.243
E	6	6. FITTING .....	6.168
F	6	7. ARM .....	6.168
E	6	8. BOLT UNIT .....	6.164
		9. FITTING (Straight 3/4") .....	8.984
F	5	10. SPACER .....	7.240
E	7	11. PIN .....	6.203
E	6	12. KNUCKLE .....	6.020
E	6	13. SUPPORT .....	6.023
E	7	14. NUT .....	6.174
E	7	15. BOLT UNIT .....	6.174
F	7	16. SPRING ASM .....	7.412
E	8	17. ARM .....	6.168
F	5	18. LINK .....	7.240
F	5	19. CROSSMEMBER .....	7.010
		20. NUT (3/8"-16) .....	8.915
		21. WASHER, Lock (3/8") .....	8.931
F	5	22. SHIM .....	7.010
		23. BOLT (3/8"-16 x 1 1/4") .....	8.900
F	6	24. SHIM .....	7.243
		25. BOLT (3/8"-24 x 1 1/2") .....	8.900
F	6	26. BRACKET .....	7.242
E	6	27. ARM .....	6.168
F	7	28. NUT .....	7.355
F	7	29. BUSHING .....	7.388
F	6	30. ABSORBER ASM .....	7.345
N	13	31. DRUM ASM .....	5.809
E	7	32. HUB .....	6.307
F	7	33. BRACKET .....	7.380
		34. WASHER, Lock (3/8" Internal) .....	8.932



1963-65 'Y' FRONT SUSPENSION

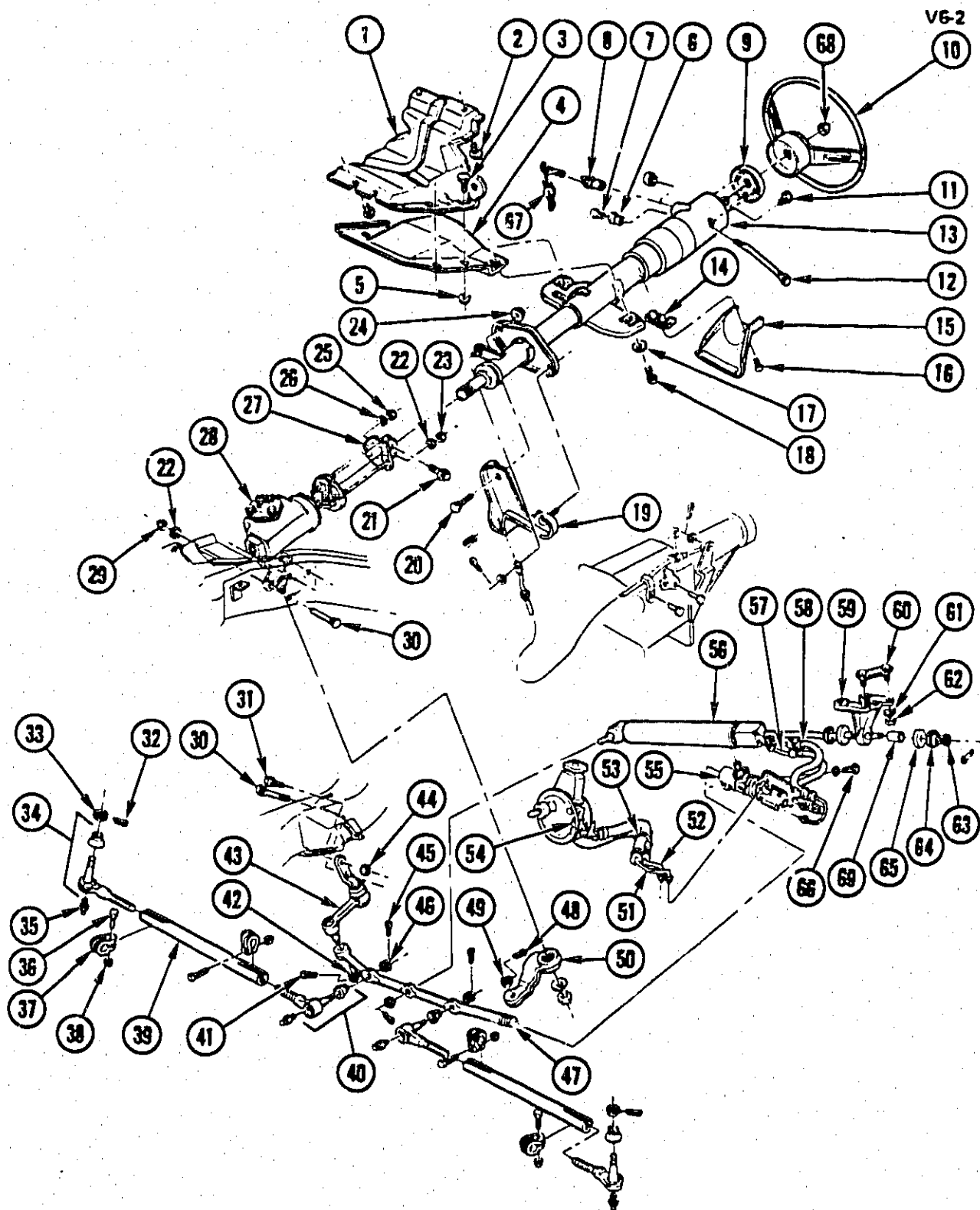
N 13	1. DRUM ASM	5.809	23. WASHER, Lock (1/2")	8.931
E 6	2. KNUCKLE	6.020	24. NUT (1/2"-20)	8.915
E 7	3. BUMPER	6.176	E 6 25. BOLT (7/16"-20 x 2-1/8")	6.172
	4. BOLT (5/16"-18 x 3/4")	8.900	E 6 26. ARM ASM	6.168
	5. NUT (3/8"-24)	8.915	E 6 27. SHIM (7/16")	6.163
F 7	6. WASHER, Lock (3/8")	8.931	E 6 28. SHAFT UNIT	6.164
F 6	7. SPRING ASM	7.412	E 6 29. BUSHING	6.164
F 7	8. ABSORBER UNIT	7.345	F 5 30. WASHER, Lock (7/16")	8.931
	9. WASHER	7.371	E 6 31. FRAME ASM	7.003
	10. WASHER, Lock (5/16")	8.931	E 6 32. NUT (7/16"-20)	6.172
	11. BOLT (5/16"-18 x 1")	8.900	E 6 33. BOLT (9/16"-18 x 2")	6.172
	12. NUT (5/16"-18)	8.915	E 6 34. WASHER, Lock (9/16")	8.931
	13. RIVET (1/4" x 13/16")	N.S.	E 6 35. NUT (9/16"-18)	6.172
	14. FITTING (90 Degrees)	8.984	E 6 36. SHAFT UNIT	6.169
E 6	15. SEAL	6.166	E 6 37. BOLT (7/16"-20 x 1 1/2")	6.172
	16. Part of 6.164 STUD UNIT	N.S.	E 6 38. BUSHING	6.170
	17. PIN (1/8" x 1")	8.938	E 6 39. BOLT (7/16"-20 x 1 1/8")	6.172
	18. NUT (1/2"-20)	8.917	E 6 40. RETAINER	6.170
	19. PIN (1/8" x 1 1/2")	8.938	E 6 41. ARM ASM	6.168
	20. NUT (9/16"-18)	8.917	F 5 42. EXTENSION ASM	7.009
	21. Part of 6.174 STUD UNIT	N.S.	E 6 43. BOLT (3/8"-24 x 7/8")	8.900
	22. RIVET (5/16" x 1")	N.S.	E 6 44. RETAINER	6.163



1965-82 'Y' FRONT SUSPENSION

## 1965-82 'Y' FRONT SUSPENSION

E 6	1. ARM ASM, Upper Steering Knuckle . . .	6.188		37. PIN, Cotter (1/8" x 1 1/2") . . . . .	8.938
	2. RIVET (1/4" x 3/4") . . . . .	8.967	E 6	38. NUT, Steering Knuckle Spindle (27/32"-20) . . . . .	6.022
E 8	3. SEAL ASM, Frt Whl Brg . . . . .	6.326	E 8	39. WASHER, Steering Knuckle Spindle (1 13/32" OD) . . . . .	6.321
E 6	4. FITTING (1/4"-28) . . . . .	8.984	E 8	40. BEARING ASM, Frt Wheel Outer . . . . .	6.313
	5. STUD UNIT, Upper Ball Replacement . . .	6.164	N 13	41. DISC, Front Wheel Brake . . . . .	5.809
	6. PIN, Cotter (1/8" x 1") . . . . .	8.938	N 8	42. BRACKET, Caliper Adapter . . . . .	5.001
	7. NUT (1/2"-20) . . . . .	8.917		43. PIN, Cotter (1/8" x 1) . . . . .	8.938
E 6	8. SHAFT, Unit, Upper Control Arm . . . . .	6.164		44. NUT (9/16"-18) . . . . .	8.917
	9. NUT (3/8"-14) . . . . .	8.915		45. BOLT (5/16"-18 x 1") . . . . .	8.900
F 7	10. WASHER, Frt Upr Abs (13/32" ID x 1 29/32" OD) . . . . .	7.347		46. NUT (1/2"-20) . . . . .	8.917
F 7	11. GROMMET, Frt Upr Abs Link . . . . .	7.388	F 6	47. GROMMET, Stabilizer Link (Rubber 13/32" ID x 1 OD) . . . . .	7.244
E 7	12. BUMPER, Upr Control Arm . . . . .	6.176	F 5	48. SPACER, Bolt Grommet . . . . .	7.240
E 7	13. BOLT, Upr Control Arm (7/16"-13 x 2 1/4") . . . . .	6.178	F 5	49. BOLT, Frt Stab Shaft Link (5/16"-24 x 5 25/32") . . . . .	7.240
	14. GROMMET, Frt Absorber . . . . .	N.S.	F 6	50. SCREW (5/16"-18 x 1 7/16") . . . . .	7.242
F 7	15. RETAINER, Stab Link Grommet . . . . .	7.389	F 6	51. BRACKET, Shaft Front, Rear Frame . . . .	7.242
E 6	16. BUSHING, Lwr Control Arm (1 13/16" ID x 23/32" OD) . . . . .	6.170	F 6	52. BUSHING, Shaft Front Frame . . . . .	7.243
E 6	17. RETAINER, Bushing (7/16" ID x 1 13/16" OD) . . . . .	6.170	F 5	53. SHAFT, Stabilizer Front . . . . .	7.241
	18. WASHER (7/16" x 51/64" x 5/32") . . . .	8.931	F 5	54. NUT, Stabilizer Link (5/16"-24) . . . . .	7.238
	19. BOLT (7/16"-20 x 1 1/8") . . . . .	8.900		55. BOLT, Strg Knu Lwr Arm (7/16"-20 x 1 3/4") . . . . .	N.S.
	20. SCREW (5/16"-18 x 1") . . . . .	8.977		56. WASHER, (7/16" x 51/64" x 5/32") . . . .	8.931
E 7	21. BUMPER, Lwr Control Arm . . . . .	6.176	E 6	57. ARM ASM, Lower Steering Knuckle . . . .	6.168
	22. NUT (1/2"-20) . . . . .	N.S.	E 6	58. SHAFT, Unit, Lower Control Arm . . . . .	6.169
	23. WASHER (1/2" x 7/8") . . . . .	8.931	F 7	59. SPRING ASM, Front . . . . .	7.412
E 7	24. SPACER, Lwr Control Arm Bumper . . . .	6.176	E 6	60. NUT, Lower Arm (7/16"-20) . . . . .	6.172
	25. RIVET, Strg Knu Lwr Control Arm (5/16"-1") . . . . .	N.S.		61. NUT (9/16"-18) . . . . .	8.917
	26. NUT (5/16"-18) . . . . .	8.915	E 6	62. WASHER, Lower Arm (37/64") . . . . .	6.172
E 7	27. STUD UNIT, Lower Ball Replacement . . .	6.174		63. BOLT (9/16"-18 x 2 5/32") . . . . .	N.S.
F 6	28. ABSORBER, Front . . . . .	7.345	E 7	64. SHIM, Upper Arm (7/16") . . . . .	6.178
E 6	29. KNUCKLE ASM, Steering . . . . .	6.020		65. NUT (7/16"-14) . . . . .	8.917
	30. RIVET, Strg Knu Arm Rr Hole Plug (Part of #32) . . . . .	N.S.		66. BOLT (3/8"-24 x 7/8") . . . . .	8.900
E 6	31. ARM KIT, Steering Knuckle . . . . .	6.103	E 6	67. WASHER (3/8") . . . . .	8.931
N 8	32. SHIELD, Front Disc Splash . . . . .	5.002	E 6	68. RETAINER, (Hole 3/8" ID) . . . . .	6.163
N 8	33. BOLT, Frt Caliper Adapter Brkt (11/16"-16 x 7/8") . . . . .	5.002		69. BUSHING, Upper Cont Arm (1 1/2" OD x 1 1/2" OL) . . . . .	6.164
N 13	34. WHEEL ASM, Front . . . . .	5.803	N 8	70. BOLT (11/16"-16 x 7/8") . . . . .	5.002
N 13	35. NUT, Wheel Hub Bolt (7/16"-20) . . . .	5.813	E 7	71. BEARING ASM, Inner . . . . .	6.311
E 6	36. GREASE CAP, Frt Wheel Bearing (2 5/64" OD) . . . . .	6.330	N 8	72. GASKET, Splash Shield . . . . .	5.002



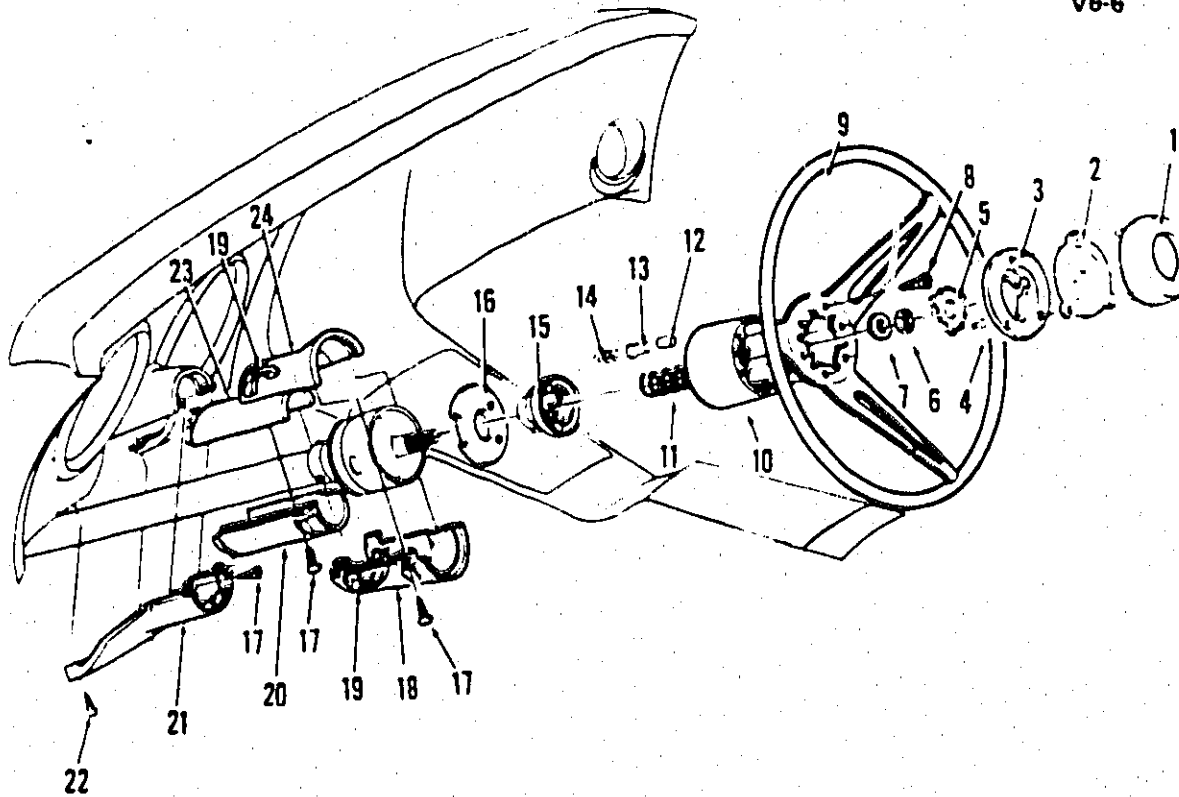
1969-82 'Y' STEERING COLUMN & STEERING LINKAGE



## 1969-82 'Y' STEERING COLUMN &amp; STEERING LINKAGE

E 15	1. BRACKET, Strg Column Supt	6.760
	2. SCREW ASM, Strg Col Supt Brkt (5/16"-18 x 1")	N.S.
	3. BOLT, Strg Col Supt Brkt (5/16"-18 x 7/8")	N.S.
E 15	4. SUPPORT ASM, Strg Column	6.760
	5. NUT (5/16"-18)	8.917
M 25	6. KNOB ASM, Traffic Hazard Warning	2.575
	7. SCREW, Knob to Strg Column	8.909
M 20	8. CYLINDER KIT, Ignition	2.188
E 8	9. COVER, Strg Col Shift Lk	6.500
E 9	10. WHEEL ASM, Steering	6.513
	11. SCREW (#8-32 x 5/8")	8.977
N 2	12. LEVER, W/Knob, Direct Signal Lamp	2.897
E 10	13. COLUMN ASM, Steering	6.518
M 27	14. RETAINER, Trans Cont Shaft	2.698
E 10	15. COVER, I/P Lwr Strg Column (Paint to Match)	6.518
N 15	16. SCREW, I/P Lwr Strg Col Cvr (#8-18 x 1/2")	9.262
	17. WASHER, Strg Col Supt	N.S.
	18. BOLT (3/8"-16 x 1")	8.900
N 5	19. BRACKET ASM, Trans Cont L	4.070
	20. BOLT (5/16"-18 x 1 1/2")	N.S.
E 11	21. BOLT, Steering Shaft "U" Joint (3/8"-24 x 1 7/32")	6.525
	22. WASHER (3/8" x 43/64")	8.931
	23. NUT (3/8"-24)	8.915
	24. NUT (5/16"-18)	8.917
	25. NUT (3/8"-24)	8.915
	26. WASHER (3/8" x 43/64")	8.931
E 11	27. FLANGE, Steering Gear Shaft Up	6.525
E 8	28. GEAR ASM, Steering	6.508
	29. NUT (3/8"-24)	8.915
E 8	30. BOLT, Strg Gear to Frame (3/8"-24 x 4 1/2")	6.509
	31. BOLT, Strg Relay & Tie Rod to Frame (3/8"-24 x 1 1/8")	N.S.
	32. PIN (3/32" x 1")	8.938
	33. NUT, Strg Relay & Tie Rod to Strg Knu (7/16"-20)	N.S.
E 7	34. END ASM, Tie Rod Outer	6.233
	35. FITTING, Lubricant	8.984
	36. BOLT (5/16"-18 x 1 1/4")	8.900
E 7	37. CLAMP, Tie Rod	6.234
	38. NUT (5/16"-18)	8.917
E 7	39. SLEEVE KIT, Frt Axle Tie Rod	6.232
E 7	40. END ASM, Tie Rod Inner	6.233
	41. PIN (3/32" x 1")	8.938
	42. NUT (1/2"-20)	8.917
E 16	43. LEVER ASM, Steering Idler	8.895
	44. NUT (3/8"-24)	8.917
	45. PIN, Cotter (3/32" x 3/4")	8.938
	46. NUT (7/16"-20)	8.917
E 16	47. ROD ASM, Steering Relay	6.870
	48. PIN (1/8"-1)	8.938
	49. NUT (1/2"-20)	8.915
E 16	50. ARM, Pitman	6.859
E 14	51. HOSE, Pump to Control Valve Inlet	6.670
E 14	52. HOSE, Pump to Control Valve Outlet	6.671
E 14	53. CLAMP, Strg to Gear Inlet & Outlet	6.672
E 14	54. CLAMP, Hyd Strg Pump to Cont Valve Outlet Hose	6.672
E 12	55. VALVE, Strg Gear Hyd W/Adapter	6.550
E 12	56. CYLINDER KIT, Strg Gear Hyd (23-5/64" OL)	6.576
E 14	57. PIPE, Strg Cont Valve to Extend Cyl	6.670
E 14	58. PIPE, Strg Cont Valve to Retract Cyl	6.670
E 12	59. BRACKET, Frame Hyd Strg Cyl	6.575
E 12	60. REINFORCEMENT, Frame Brkt	6.575
	61. WASHER (5/16"-19/32")	8.931
	62. NUT (5/16"-18)	8.915
E 12	63. NUT, Frame Brkt (3/8"-24)	6.575
E 12	64. WASHER, Hyd Strg Cyl to Frame	6.581
E 12	65. GROMMET, Hyd Strg Cyl to Frame Brkt	6.581
	66. BOLT, Hex (3/8"-16 x 1 1/2")	8.900
M 19	67. KEY, Blank	2.187
	68. NUT, Hex (9/16"-18)	8.916
E 12	69. SPACER, Hyd Strg Cyl to Frame Brkt	6.581

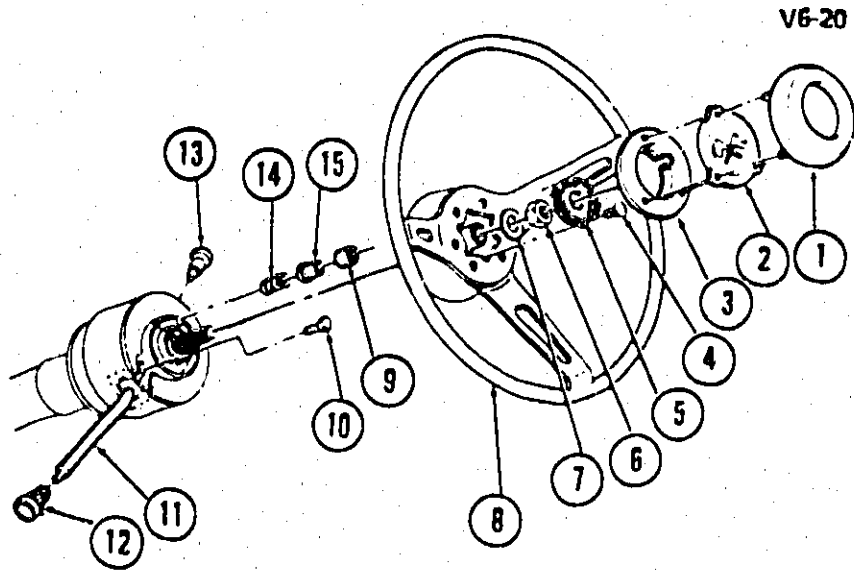
V6-6



V6-6

**1968-76 'Y' STEERING COLUMN (EXCEPT TELESCOPING WHEEL)**

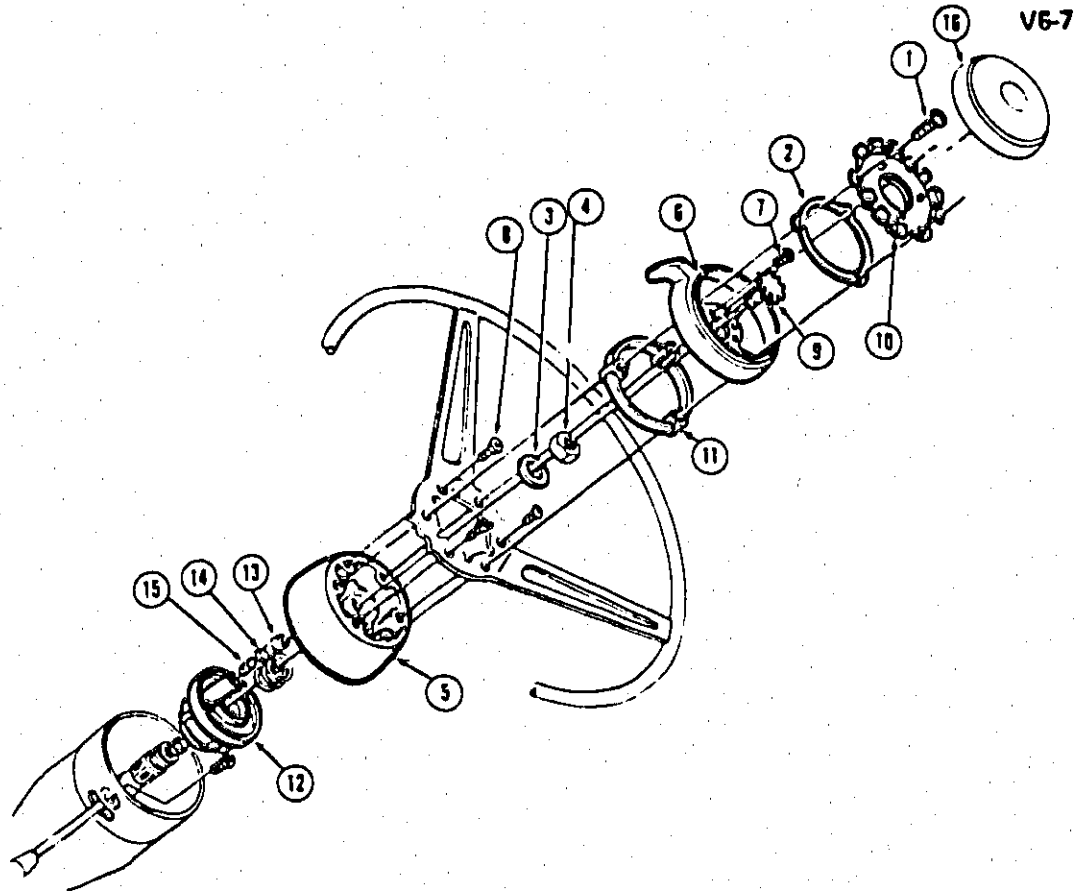
M 28	1. CAP, Horn .....	2.820
M 28	2. EMBLEM, Button Cap .....	2.820
M 28	3. RETAINER, Cap .....	2.820
	4. SCREW (#8-32 x 5/8") .....	8.913
M 28	5. CONTACT ASM, Horn .....	2.819
	6. NUT (1/2"-20) .....	8.916
E 10	7. WASHER (19/32" ID x 15/16" OD) .....	6.515
	8. SCREW (#10-24 x 3/4") .....	8.908
E 9	9. WHEEL, Steering .....	6.513
E 8	10. HUB ASM, Steering Whl Hub .....	6.512
E 10	11. SPRING, Upper .....	6.521
M 28	12. INSULATOR, Contact .....	2.819
M 28	13. CONTACT, W/Eyelet & Spring .....	2.819
M 28	14. SPRING, Horn Contact .....	2.819
N 2	15. CAM ASM, Strg Column .....	2.896
N 3	16. COVER, Switch .....	2.908
	17. SCREW (#6-20 x 1/2") .....	8.977
E 10	18. COVER, Lower .....	8.518
E 10	19. SEAL .....	6.519
E 8	20. EXTENSION, Lower .....	6.512
E 10	21. COVER, Inst Panel .....	6.518
E 10	22. SCREW ASM, (#8-18 x 1") .....	8.977
E 10	23. EXTENSION, Upper .....	6.518
E 10	24. COVER, Upper .....	6.518



V6-20

**1968-75 'Y' STEERING WHEEL AND HORN PARTS**

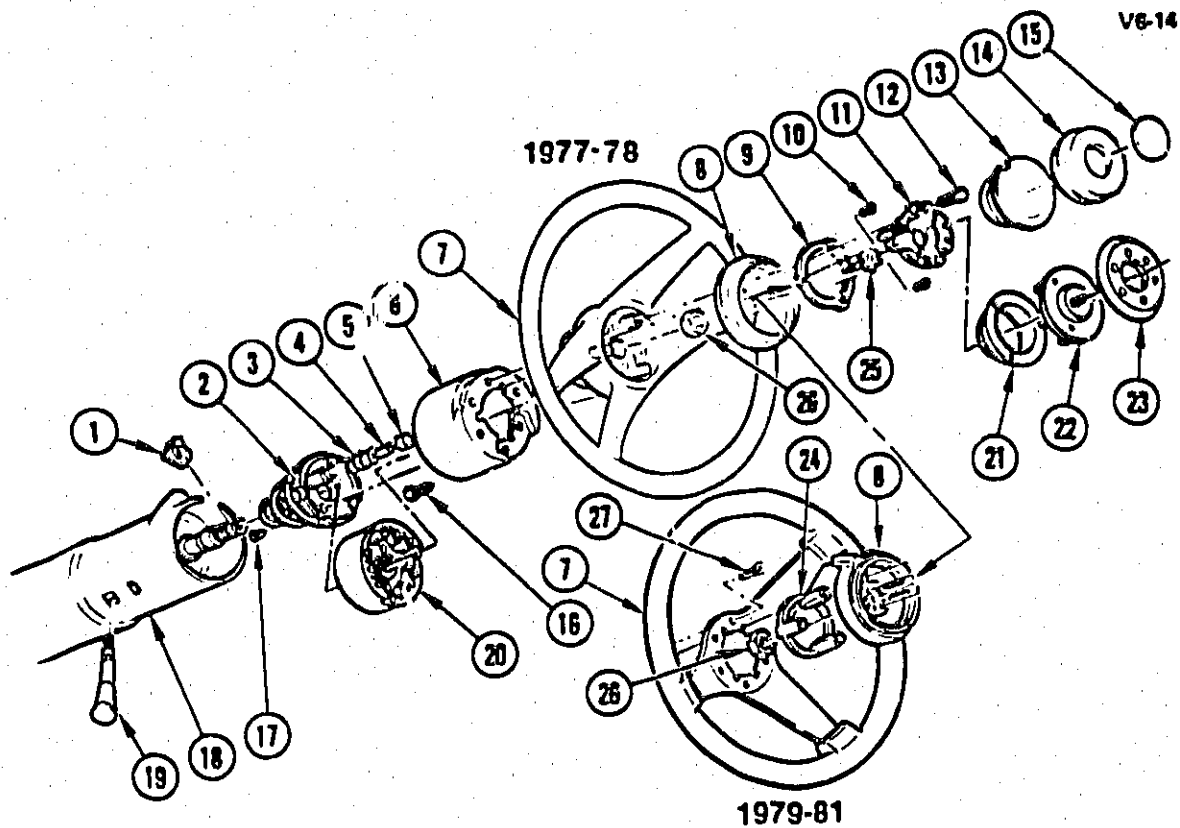
M 28	1. CAP ASM .....	2.820
	2. EMBLEM .....	N.S.
	3. RETAINER .....	N.S.
	4. SCREW (#8-32 x 5/8") .....	8.913
M 28	5. CONTACT ASM .....	2.819
	6. NUT .....	8.916
E 10	7. WASHER .....	6.516
E 9	8. WHEEL ASM .....	6.513
M 28	9. INSULATOR .....	2.819
	10. SCREW (#8-32 x 5/8") .....	8.977
N 2	11. LEVER .....	2.897
	12. KNOB .....	N.S.
M 25	13. KNOB ASM .....	2.575
	14. SPRING .....	N.S.
M 28	15. CONTACT UNIT .....	2.819



V6-7

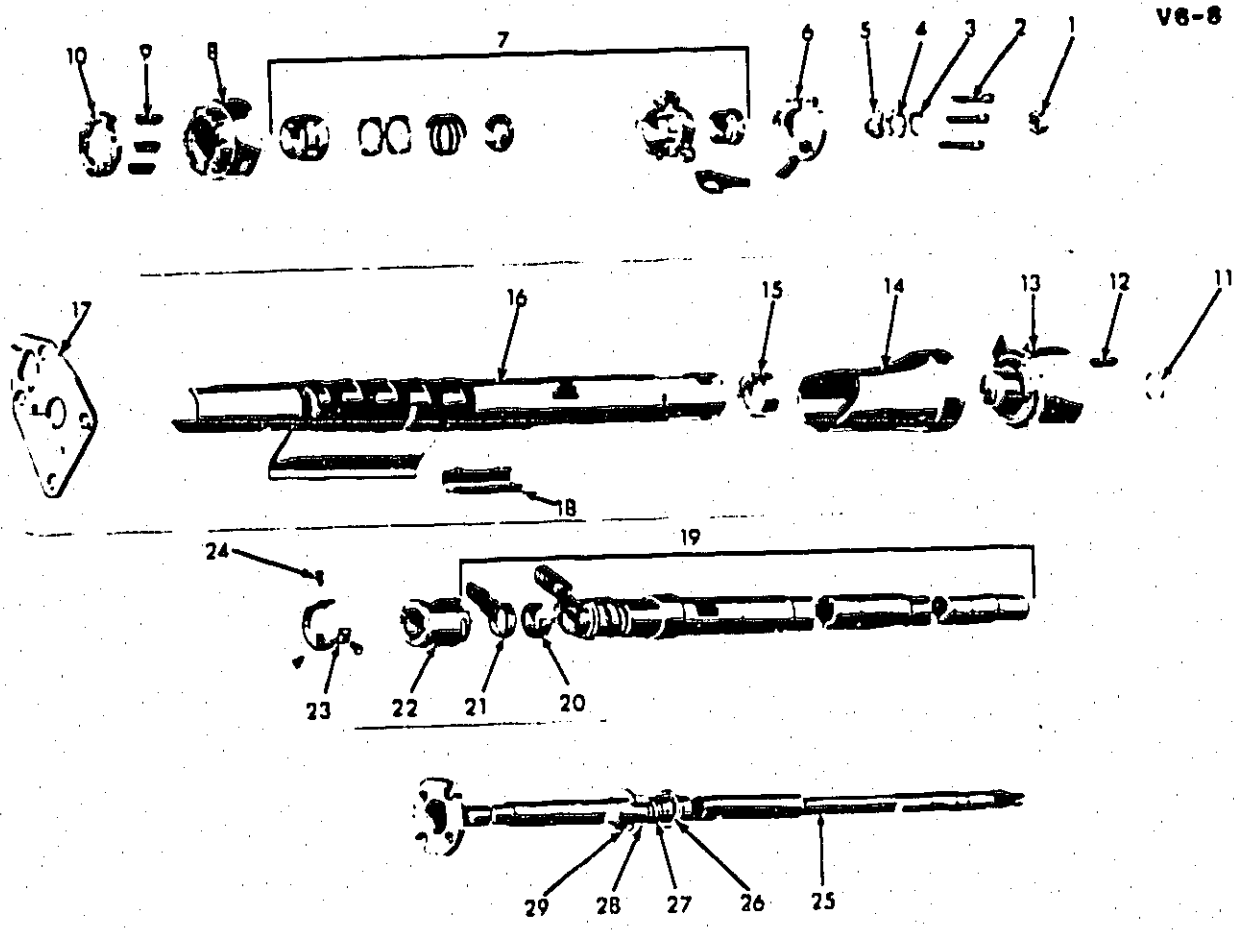
**1965-76 'Y' TELESCOPING STEERING SHAFT**

M 28	1. SCREW, Horn Contact .....	2.819
M 27	2. SHIM, Horn .....	2.810
E 10	3. WASHER, Steering Wheel .....	6.515
	4. NUT .....	8.918
E 8	5. HUB ASM, Steering Wheel .....	6.512
E 9	6. LEVER, Steering Column .....	6.514
	7. SCREW (#10-32 x 1/2") .....	8.900
	8. SCREW .....	8.908
E 9	9. SCREW .....	6.514
M 28	10. CONTACT ASM, Horn .....	2.819
E 9	11. SPACER .....	6.514
N 2	12. CAM ASM .....	2.896
M 28	13. INSULATOR, Contact .....	2.819
M 28	14. CONTACT, W/Eyelet & Spring .....	2.819
M 28	15. SPRING .....	2.819
M 28	16. CAP, Horn .....	2.820



### 1977-82 'Y' STEERING WHEEL & HORN PARTS

	1. RETAINER, Steering Wheel .....	6.515
M 28	2. CONTACT, Horn Button & Blowing Ring Lower .....	2.819
M 28	3. SPRING, Horn Contact .....	2.819
M 28	4. CONTACT, W/Eyelet .....	2.819
M 28	5. INSULATOR, Contact .....	2.819
E 8	6. EXTENSION, Steering Wheel W/N37 .....	6.512
E 9	7. WHEEL ASM, Steering .....	6.513
E 9	8. LEVER, Steering Column Lock W/N37 .....	6.514
M 27	9. SHIM, Horn W/N37 .....	2.810
	10. SCREW, W/N37 (#8 10 x 1/4") .....	8.977
M 28	11. CONTACT, Horn Button & Blowing Ring Upper (W/N37) .....	2.819
	12. SCREW (#8-32 x 13/32") .....	8.913
M 28	13. RETAINER, Horn Button Cap (Exc N37) .....	2.819
M 28	14. CAP, Horn Blowing (Exc N37) .....	2.820
M 28	15. EMBLEM, Button Cap (Exc N37) .....	2.820
	16. SCREW (#8-18 x 1/2") .....	8.977
	17. SCREW (#10-32 x 3/8") .....	8.908
E 10	18. COLUMN ASM, Steering .....	6.518
E 9	19. LEVER, W/Knob Steering Wheel Release .....	6.514
E 8	20. HUB ASM (W/N37) .....	6.512
M 28	21. RETAINER, Horn Button Cap (W/N37) .....	2.820
M 28	22. EMBLEM, Horn Button Cap (W/N37) .....	2.820
M 28	23. CAP, Horn Button (W/N37) .....	2.820
E 9	24. SPACER, Steering Column .....	6.514
E 9	25. SCREW, Lock Knob .....	6.514
	26. NUT (M14 x 1.5) .....	8.915
	27. SCREW (#10-24 x .75) .....	8.909

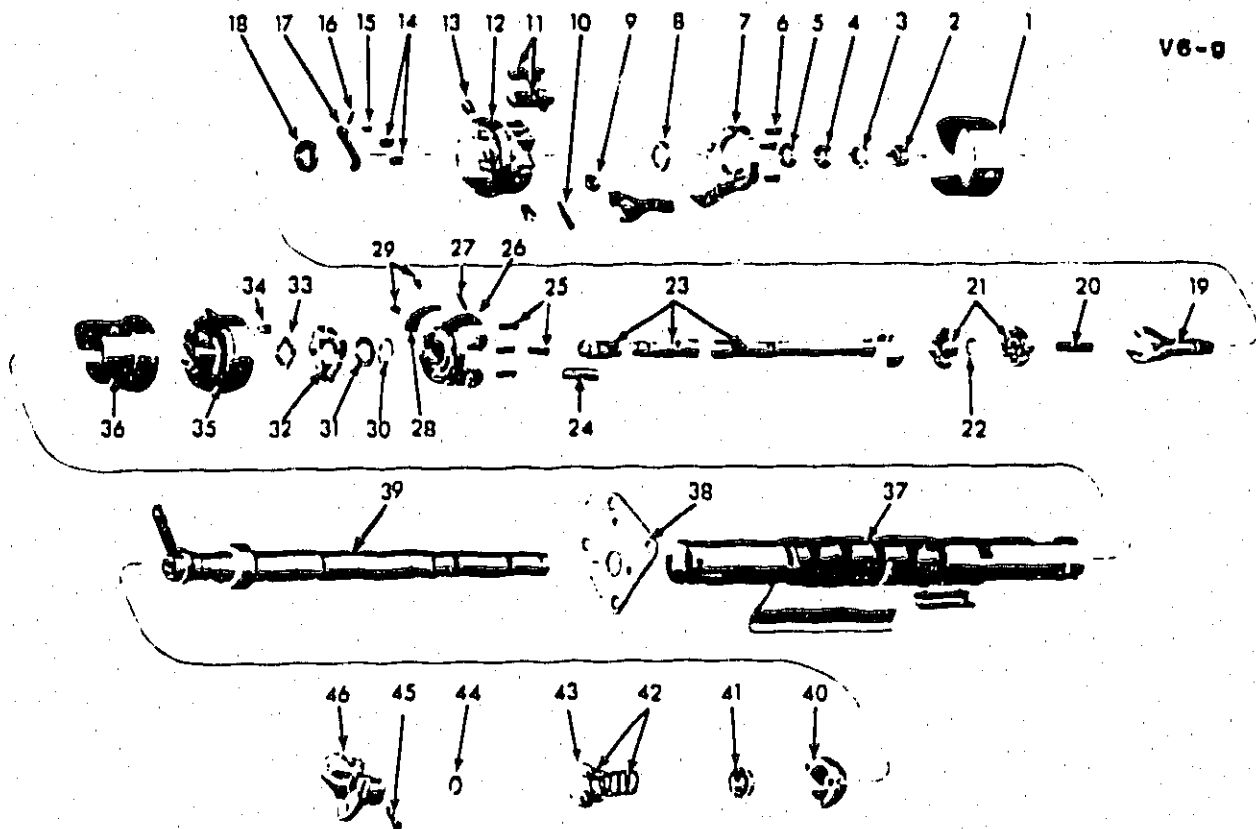


V6-8

V6-8

**1967-68 STEERING COLUMN-STANDARD**

	1. NUT (1/2"-20) .....	8.921
	2. SCREW .....	2.895
N 2	3. RING .....	6.521
E 10	4. WASHER, Thrust .....	6.521
E 10	5. WASHER, Wave .....	6.521
E 10	6. SWITCH ASM .....	2.895
N 2	7. HOUSING .....	6.518
E 10	8. COVER .....	2.908
N 3	9. SPRING .....	2.896
N 2	10. PLATE .....	6.514
E 9	11. WASHER .....	6.521
E 10	12. SPRING .....	4.008
N 5	13. HOUSING .....	4.010
N 5	14. COVER .....	6.518
E 10	15. BEARING .....	6.521
E 10	16. JACKET ASM .....	6.518
E 10	17. SEAL .....	6.758
E 15	18. COVER .....	2.908
N 3	19. TUBE ASM .....	4.025
N 5	20. SPACER .....	6.521
E 10	21. LEVER .....	4.030
N 5	22. ADAPTER .....	6.521
E 10	23. RING .....	4.027
N 5	24. BOLT .....	6.525
E 11	25. SHAFT ASM .....	6.524
E 11	26. BEARING .....	6.521
E 10	27. SPRING .....	6.521
E 10	28. Part of Sleeve Unit .....	N.S.
	29. Part of Sleeve Unit .....	N.S.

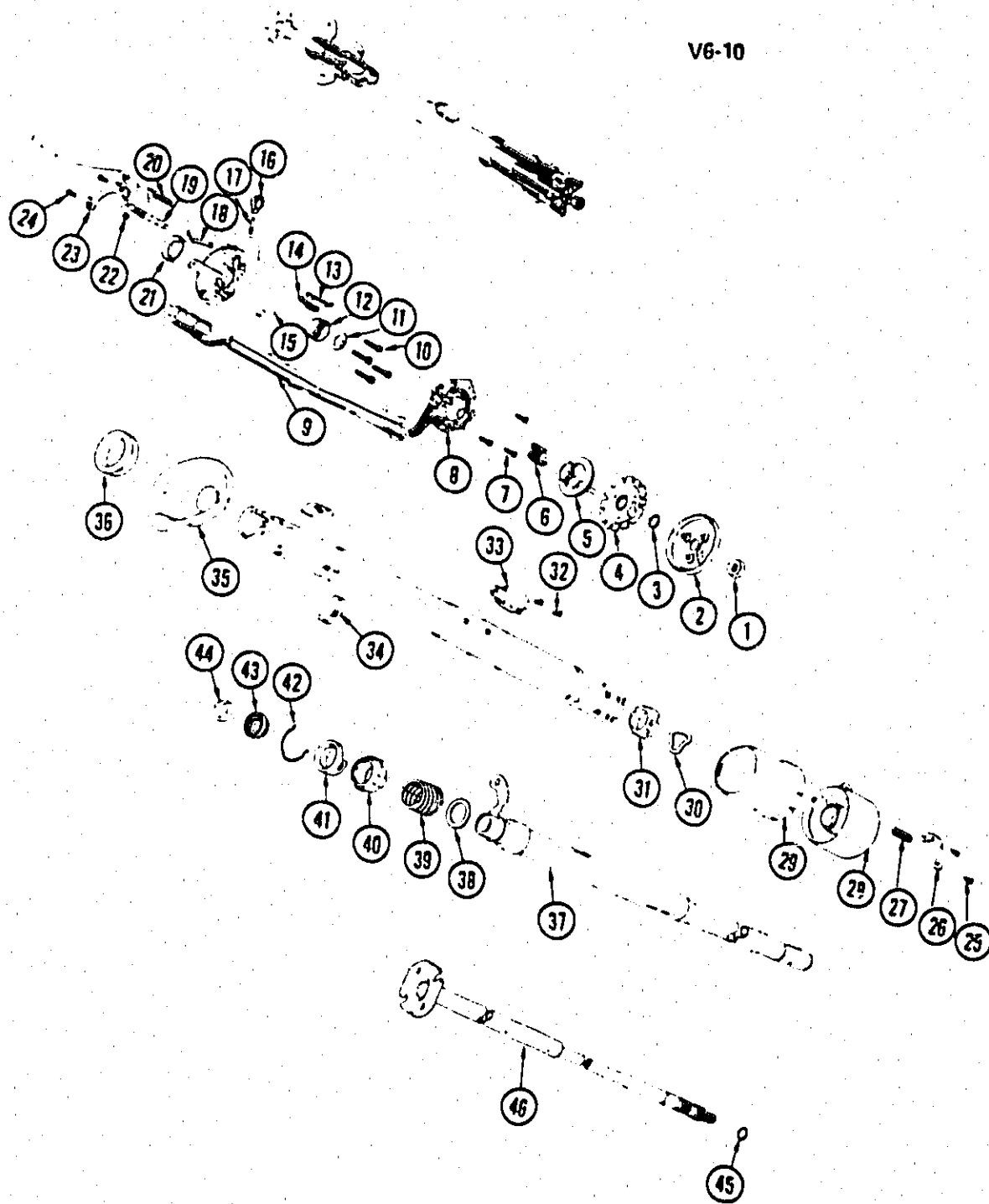


V6-9

V6-9

1967-68 STEERING COLUMN (TILT WHEEL)

	1. HOUSING	8.921	E 9	24. SPRING	6.514
E 10	2. NUT (1/2"-20)	6.515	E 9	25. SCREW	6.514
	3. NUT	8.917	E 9	26. SUPPORT ASM	6.514
E 10	4. SEAT	6.521	E 9	27. PIN	6.514
E 10	5. RACE	6.521	E 9	28. PLATE	6.514
N 2	6. SCREW	2.895	E 9	29. SCREW	6.514
N 2	7. SWITCH ASM	2.895	E 10	30. RING	6.521
E 10	8. BEARING ASM	6.521	E 10	31. WASHER	6.521
E 9	9. RETAINER	6.514	E 9	32. PLATE	6.514
E 9	10. PIN, Dowel	6.514	E 10	33. WASHER	6.521
E 9	11. SHOE	6.514	N 5	34. SPRING	4.008
E 10	12. HOUSING ASM	6.518	N 5	35. HOUSING	4.010
E 9	13. PIN, Pivot	6.514	E 8	36. EXTENSION	6.512
E 9	14. SPRING	6.514	E 10	37. JACKET ASM	6.518
E 9	15. SPRING	6.514	E 15	38. SEAL	6.758
E 9	16. PIN	6.514	N 5	39. TUBE ASM	4.025
E 9	17. LEVER	6.514	E 10	40. ADAPTER	6.521
E 10	18. BEARING ASM	6.521	E 10	41. BEARING	6.521
E 11	19. SHAFT	6.524	E 10	42. SPRING, Unit	6.521
E 9	20. SPRING	6.514	E 10	43. WASHER	6.521
E 9	21. SPHERE	6.514		44. RING	8.934
E 11	22. WASHER	6.525		45. BOLT	8.900
E 11	23. SHAFT ASM	6.524	E 11	46. FLANGE	6.525



V6-10

V6-10

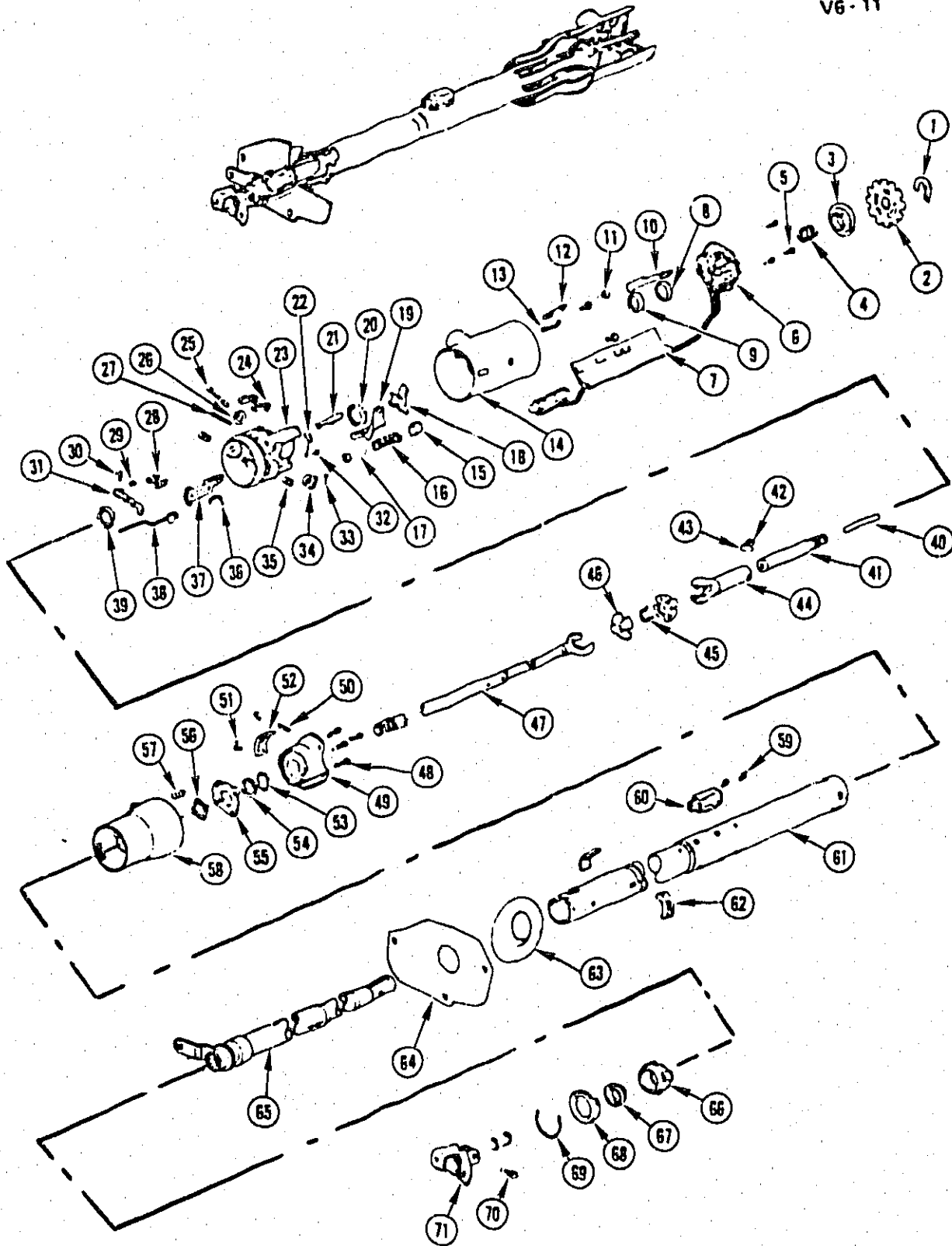
**1969-73 STEERING COLUMN-STANDARD**



## 1969-73 STEERING COLUMN-STANDARD

	1.	NUT	N.S.
E 8	2.	COVER, Steering Shaft Lock Plate	6.500
E 10	3.	RETAINER, Shaft Lock Plate	6.521
E 8	4.	PLATE, Shaft Locking	6.500
N 2	5.	CAM, Directional Signal Lamp	2.896
N 2	6.	SPRING, Cancel Cam	2.896
N 2	7.	SCREW, Signal Switch Mtg	2.895
N 2	8.	SWITCH, Directional Signal	2.895
N 3	9.	COVER, Signal Switch & Horn Wire	2.906
	10.	SCREW	8.908
N 5	11.	WASHER, Upper Retainer Ring Thrust	4.012
E 10	12.	BEARING ASM, Upper Shaft	6.521
M 20	13.	SWITCH ASM, Ignition Key Warning Buzzer	2.195
M 20	14.	CLIP, Ignition Key Warning Buzzer Switch	2.195
N 3	15.	COVER, Steering Column	2.906
M 20	16.	SECTOR, Ignition Switch Actuator	2.195
M 20	17.	SHAFT, Ignition Switch Actuator Sector	2.195
M 20	18.	SPRING, Ignition Switch Rack Preload	2.195
E 8	19.	BOLT, W/Spring	6.500
E 8	20.	ROD ASM, W/Rack, Ign Switch Actuator	6.500
N 3	21.	CUP, Turn Signal Switch Housing Thrust	2.906
E 8	22.	WASHER, Spring Thrust	6.500
M 20	23.	PLATE, Steering Column Gear Shift Lever Detent	2.195
	24.	SCREW	8.908
	25.	SCREW	8.908
N 5	26.	PLATE, Steering Column Shift Tube Lock	4.010
N 5	27.	SPRING, Shift Tube Thrust	4.027
N 5	28.	HOUSING, Steering Column Gear Shift Lever	4.010
	29.	SHROUD	N.S.
N 5	30.	WASHER, Steering Column Shift Lever Housing Bearing Wave	4.012
E 10	31.	BEARING, Steering Column Jacket Asm Bowl Lever	6.521
M 20	32.	SCREW	2.188
M 20	33.	SWITCH, Ignition	2.180
M 27	34.	GROMMET, Lamp	2.698
E 15	35.	COLLAR, Steering Column	6.758
E 15	36.	SEAL	6.758
N 5	37.	TUBE	4.026
E 8	38.	WASHER, Spring Thrust	6.500
E 5	39.	SPRING, Shift Tube Thrust	4.027
E 10	40.	ADAPTER, Lower Bearing	6.521
E 10	41.	REINFORCEMENT, Lower Bearing Adapter	6.521
E 10	42.	RETAINER, Lower Bearing Adapter	6.521
E 10	43.	BEARING ASM, Lower Shaft	6.521
E 10	44.	SPACER, Lower Bearing	6.521
E 10	45.	RING, Lock Plate Retaining	6.521
E 11	46.	SHAFT	6.524

V6-11



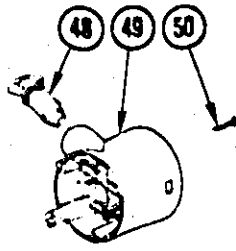
V6-11

1969-73 'Y' TILT & TILT TELESCOPE STEERING COLUMN

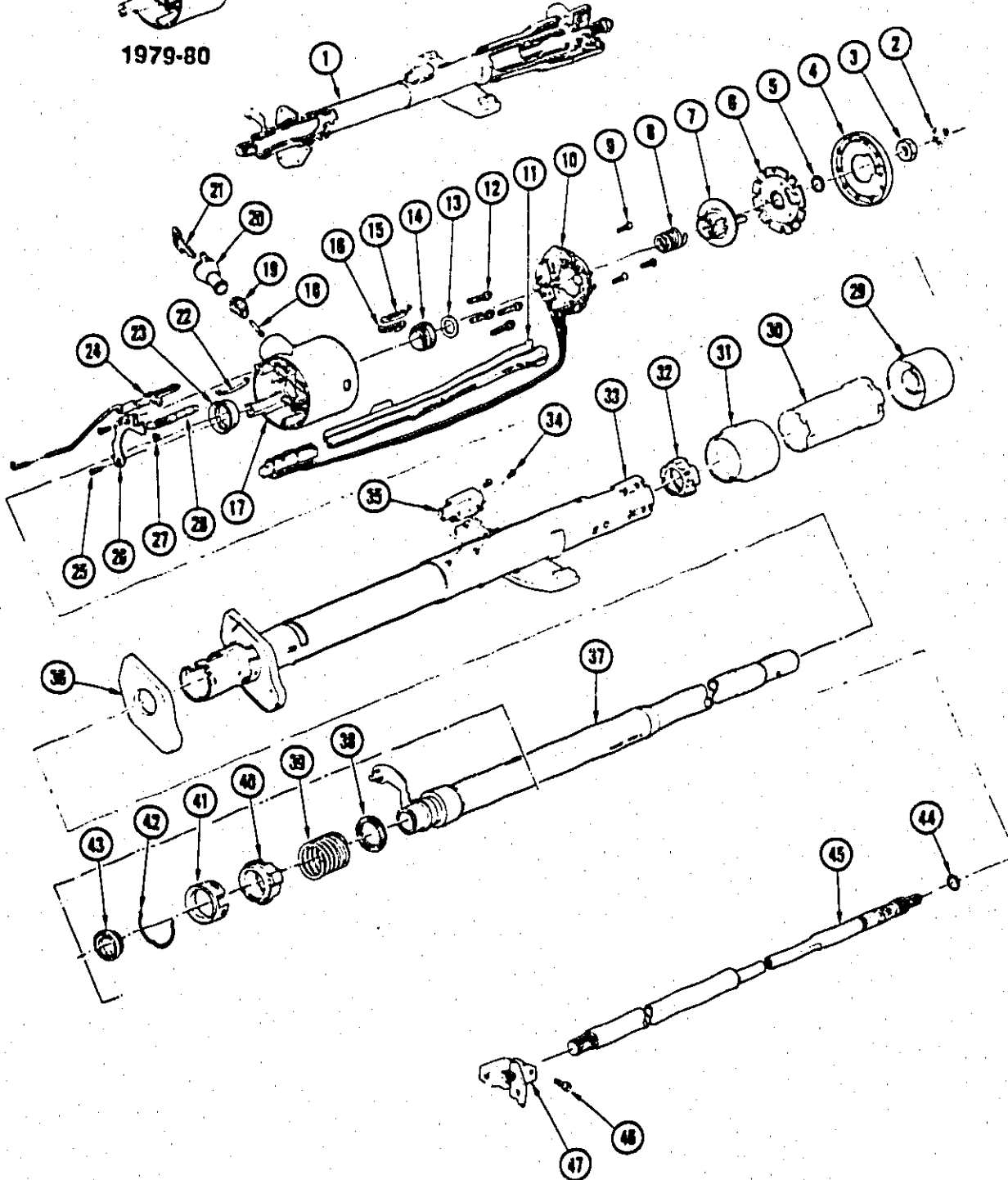
## 1969-73 'Y' TILT &amp; TILT TELESCOPE STEERING COLUMN

M 28	1. RING, Carrier Locking	2.819	M 20	34. SECTOR	2.195
E 8	2. PLATE ASM, Shaft Lock	6.500	E 9	35. PIN, Pivot	6.514
M 28	3. CARRIER ASM, Contact	2.819	M 20	36. SPRING, Ignition Switch Rack Preload	2.195
N 2	4. SPRING, Cancel Cam	2.896	M 20	37. RACK, Ignition Switch Actuator	2.195
N 2	5. SCREW, Signal Switch Mounting	2.895	M 20	38. ROD ASM, Ignition Switch Actuator	2.195
N 2	6. SWITCH ASM, Dir Signal & Traffic Hazard	2.895	E 10	39. BEARING	6.521
N 3	7. COVER	2.906	E 9	40. ROD, Steering Shaft Locking	3.514
E 10	8. SEAT, Upper Bearing Preload	6.521	E 11	41. SHAFT ASM, Upper & Lower Steering	6.524
E 10	9. RACE, Upper Shaft Lower Bearing	6.521	E 9	42. BUMPER, Steering Shaft Lock Knob	6.514
	10. LEVER, Part of #6 Switch Asm	N.S.	E 9	43. WEDGE, Column Locking	6.514
	11. SCREW	8.908		44. YOKE, Part of #41 Shaft Asm	N.S.
M 20	12. SWITCH ASM, Steering Column Ignition Key Warning Buzzer	2.195	E 10	45. SPRING, Shaft Center Sphere	6.521
M 20	13. CLIP, Ignition Key Warning Buzzer Switch	2.195	E 9	46. SPHERE, Shaft Center	6.514
N 3	14. COVER ASM, W/Lock	2.906	E 11	47. SHAFT	6.524
E 9	15. RETAINER, Spring	6.514	E 9	48. SCREW, Steering Column Support	6.514
E 10	16. SPRING, Tilt Wheel	6.521	E 9	49. SUPPORT ASM, Turn Signal Housing	6.514
E 9	17. GUIDE, Tilt Spring	6.514	E 9	50. PIN	6.514
E 9	18. SHIELD, Tilt Lever Opening	6.514		51. SCREW	8.906
N 3	19. SHIELD, Sig Lever Opening	2.906	N 5	52. GATE, Gearshift Lever	4.027
E 10	20. BEARING, Upr Steering Shaft Lwr	6.521	N 5	53. RING, Support Retainer	4.027
E 8	21. BOLT, Shaft Lock	6.500	N 5	54. WASHER, Support Thrust	4.012
E 8	22. SPRING, Steering Shaft Lock Bolt	6.500	E 9	55. PLATE, Support Lock	6.514
E 10	23. HOUSING, Steering Shaft Bearing	6.518	N 5	56. WASHER, Support Wave	4.012
E 9	24. SHOE, Lock (3-4 Position)	6.514	N 5	57. SPRING, Gearshift Lever	4.008
M 20	25. SHAFT, Ignition Switch Sector Door	2.195	N 5	58. HOUSING, Gearshift Lever	4.010
M 20	26. WASHER, Ignition Switch Sector Door Shaft	2.195	M 20	59. SCREW, Ignition Switch	2.188
E 9	27. PIN, Strg Column, Tilt Lock Shoe Retainer	6.514	M 20	60. SWITCH ASM, Ignition	2.188
E 9	28. SPRING, Shoe Release	6.514	E 10	61. JACKET ASM	6.518
E 9	29. SPRING, Tilt	6.514	M 27	62. GROMMET, Lamp	2.698
E 9	30. PIN, Shoe Release Lever	6.514	E 15	63. GROMMET, Jacket	6.758
E 9	31. LEVER, Shoe Release	6.514	E 15	64. SEAL, Steering Column Dash	6.758
E 8	32. SCREW, Steering Shaft Lock Bolt Spring	6.500	N 5	65. TUBE ASM, Steering Column Shifter	4.026
M 20	33. RETAINER, Ignition Switch Actuator Sector	2.195	E 10	66. ADAPTER, Lower Bearing	6.521
			E 10	67. BEARING, Lower Shift Tube	6.521
			E 10	68. REINFORCEMENT, Lower Bearing Adapter	6.521
			E 10	69. RETAINER, Lower Bearing Adapter	6.521
			E 11	70. BOLT, Flange	6.525
			E 11	71. FLANGE ASM	6.525

V6-5



1979-80

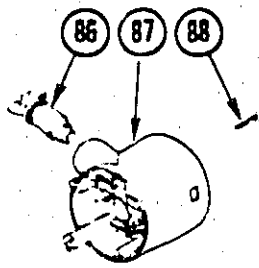


V6.5

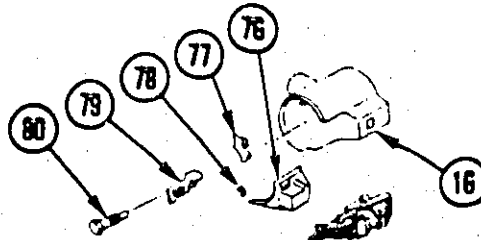
1974-80 'Y' STANDARD STEERING COLUMN

## 1974-80 'Y' STANDARD STEERING COLUMN

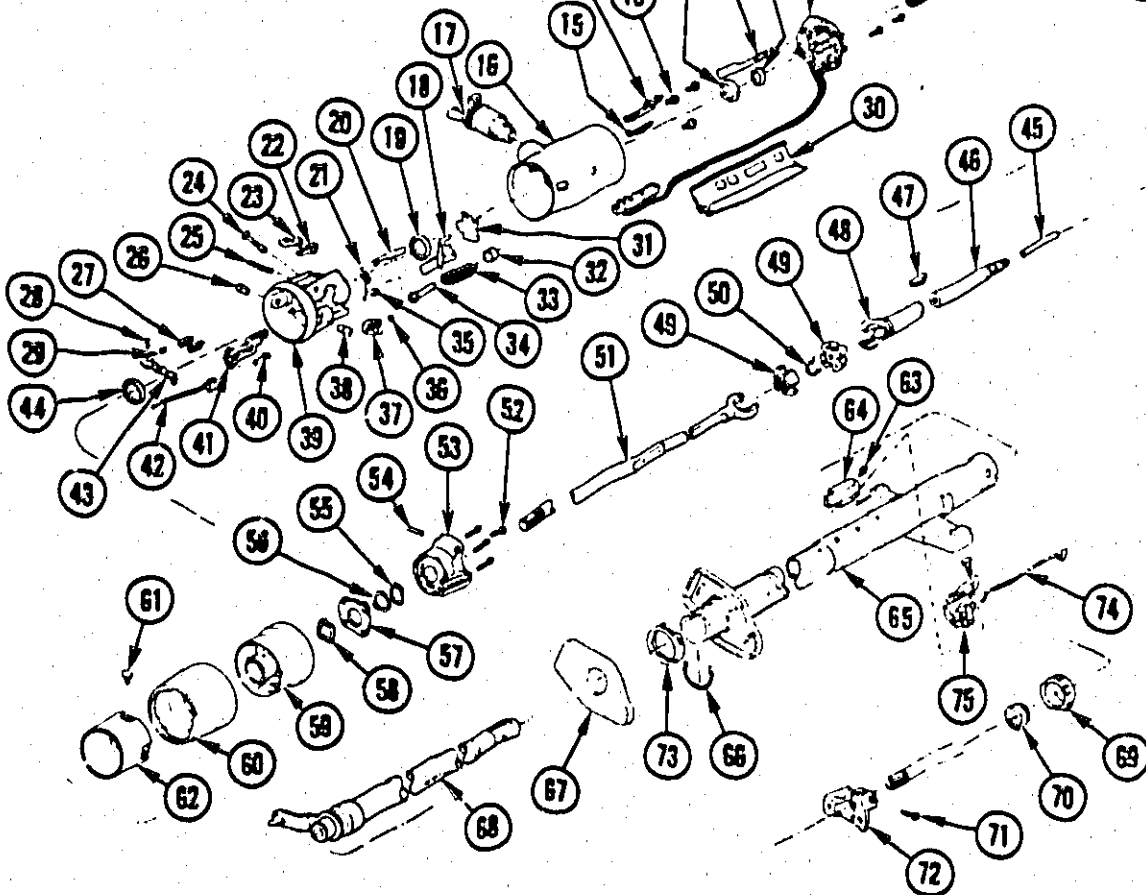
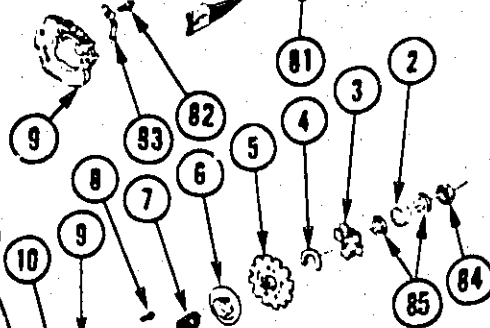
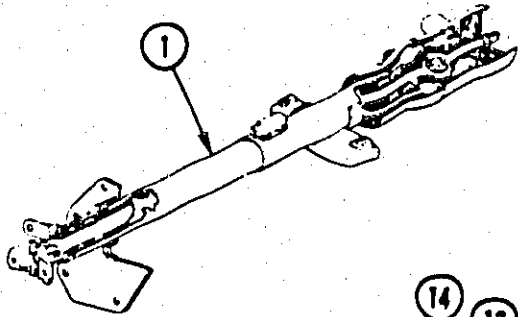
E 10	1. COLUMN ASM, Strg .....	6.518
E 10	2. RETAINER, Upr Shaft .....	6.515
	3. NUT (9/16"-18) .....	8.915
E 8	4. COVER, Shaft Lock Plate .....	6.500
M 28	5. RING, Carrier Locking .....	2.819
E 8	6. PLATE, Shaft Lock .....	6.500
N 2	7. CAM CONVERSION KIT, Strg Col Turn Signal Cancel .....	2.896
E 10	8. SPRING, Strg Col Shaft Upper .....	6.521
N 2	9. SCREW, Sig Switch Mtg .....	2.895
N 2	10. SWITCH, Dir Sig & Traffic Hazard .....	2.895
N 3	11. COVER, Sig Switch & Horn Wire .....	2.906
	12. SCREW, Upr Brg Hsg Supt .....	N.S.
N 5	13. WASHER, Strg Shaft Upper Retainer Ring Thrust .....	4.012
E 10	14. BEARING ASM, Strg Upper Shaft .....	6.521
M 20	15. SWITCH ASM, Ign Key Warning Buzzer .....	2.195
M 20	16. CLIP, Ign Key Warning Buzzer Switch .....	2.195
N 3	17. COVER, Sig Switch & Horn Wire .....	2.906
M 20	18. SHAFT, Ign Switch Actuator Sector .....	2.195
M 20	19. SECTOR, Ign Switch Actuator .....	2.196
M 20	20. CYLINDER ASM, Ign .....	2.188
M 19	21. KEY, Ign .....	2.187
M 20	22. SPRING, Ign Switch Rack Preload .....	2.195
N 3	23. CUP, Strg Col Turn Signal Switch Housing Thrust .....	2.906
M 20	24. ROD ASM, W/Rack, Ign Switch Actuator .....	2.195
N 3	25. SCREW, Sig Switch Hsg .....	2.906
N 5	26. GATE, Shift Lvr .....	4.027
E 8	27. WASHER, Spring Retainer .....	6.500
E 8	28. BOLT, W/Spring Shaft Lock .....	6.500
N 5	29. HOUSING, Strg Col Trans Control Lock Tube .....	4.010
N 5	30. SHROUD .....	4.010
E 10	31. COVER, Trans Lock Tube Housing .....	6.518
E 10	32. BEARING ASM, Bowl Lever .....	6.521
E 10	33. JACKET ASM, Strg Column .....	6.518
	34. SCREW, Ign Switch .....	N.S.
M 20	35. SWITCH, Ignition .....	2.188
E 15	36. SEAL, Strg Column to Dash .....	6.753
N 5	37. TUBE ASM, Strg Col .....	4.025
N 5	38. WASHER, Shift Tube Thrust .....	4.027
N 5	39. SPRING, Shift Tube Thrust .....	4.027
E 10	40. ADAPTER, Lwr Brg .....	6.521
E 10	41. RETAINER, Lwr Brg Adapter .....	6.521
E 10	42. CLIP, Lower Brg .....	6.521
E 10	43. BEARING, Lwr Shift Tube .....	6.521
E 10	44. RING, Upper Ret .....	6.521
E 11	45. SHAFT ASM, Strg Col (37 11/16" Type A) .....	6.524
E 11	46. BOLT (3/8"-24 x 1 7/32") .....	6.525
E 11	47. FLANGE, Strg Shaft .....	6.525
M 20	48. LOCK, W/Key, Ignition .....	2.188
N 3	49. COVER ASM .....	2.906
M 20	50. SCREW, Lock Cyl Retaining .....	2.195



1979-81



V6-4



V6-4

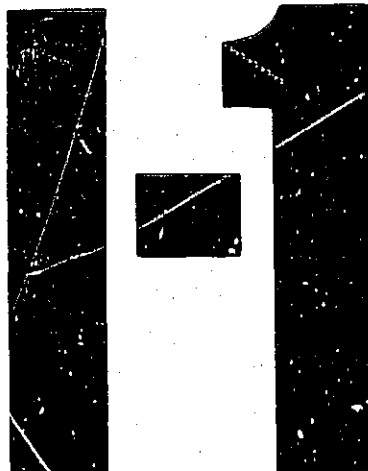
1974-82 'Y' TILT & TELESCOPE STEERING COLUMN

## 1974-82 'Y' TILT &amp; TELESCOPE STEERING COLUMN

E 10	1. COLUMN ASM, Strg	6.518	E 10	44. BEARING, Upr Strg Shaft Lower	6.521
E 9	2. JUMPER, Strg Column Retracted Strg Shift	6.514	E 9	45. ROD, Shaft Lock	6.514
M 28	3. RETAINER, Snap Ring Horn Contact Carrier	2.819	E 11	46. SHAFT, Upr Strg	6.524
E 8	4. RETAINER, Sft Lk	6.500	E 9	47. WEDGE, Locking	6.514
E 8	5. PLATE ASM, Shaft Lock	6.500	E 11	48. YOKE ASM, Race & Strg Shaft	6.524
M 28	6. CARRIER ASM, Strg Col Horn Contact	2.819	9	49. SPHERE UNIT, Shaft Centering	6.514
E 10	7. SPRING, Upper	6.521	E 9	50. SPRING, Shoe Rel	6.514
N 2	8. SCREW, Sig Switch Mtg	2.895	E 11	51. SHAFT ASM, Upper & Lower Complete (31 17/32" Type E)	6.524
N 2	9. SWITCH, Dir Sig & Traffic Hazard	2.895	E 9	52. SCREW, Support	6.514
E 10	10. SEAT, Upper Strg Col Shaft, Upper Bearing Race	6.521	E 9	53. SUPPORT ASM, Housing	6.514
M 25	11. LEVER, Hazard Switch	2.575	E 9	54. PIN, Shoe Rel Lever	6.514
E 10	12. RACE, Upper Shaft Lower Bearing	6.521	N 5	55. RING, Support & Shaft Tube Retainer	4.027
	13. SCREW, Oval Hd Cross Recess	N.S.	N 5	56. WASHER, Supt Thrust	4.012
M 20	14. SWITCH ASM, Ign Key Wrg Buzzer	2.195	E 9	57. PLATE, Support Lock	6.514
M 20	15. CLIP, Ign Key Warning Buzzer Switch	2.195	N 5	58. WASHER, Supt Wave	4.012
E 10	16. COVER, Lk Hsg	6.518	E 10	59. SHROUD, Trans Cont Lock Tube	6.518
M 20	17. CYLINDER, Ign Lock	2.188	E 10	60. COVER, Trans Cont Lk Tube Shroud	6.518
E 9	18. SHIELD, Steering Column Tilt Lever Opening	6.514	E 10	61. SCREW, Strg Col Cvr to Shroud	6.518
E 10	19. BEARING ASM, Upper Strg Shaft	6.521	N 5	62. EXTENSION, Control Lock Tube	4.010
E 8	20. BOLT, Shaft Lock	6.500	M 20	63. SCREW, Switch	2.188
E 8	21. SPRING, Strg Shaft	6.500	M 20	64. SWITCH, Ignition	2.188
E 9	22. SHOE, Lock (4-Pos)	6.514	E 10	65. JACKET ASM, Strg Column	6.518
E 9	23. SHOE, Lock (3-Pos)	6.514	E 10	66. CLIP, Adaptor	6.521
M 20	24. SHAFT, Ign Switch Sel Doors	2.195	E 15	67. SEAL, Strg Column to Dash	6.758
E 9	25. PIN, Shoe Rel Lever	6.514	N 5	68. TUBE ASM, Shift	4.025
E 9	26. PIN, Pivot	6.514	E 10	69. ADAPTER, Lower Bearing	6.521
E 9	27. SPRING, Lock Shoe Return	6.514	E 10	70. BEARING, Lower Shift Tube	6.521
E 9	28. PIN, Shoe Rel Lever	6.514	E 11	71. BOLT (3/8"-24 17/32")	6.525
E 9	29. SPRING, Shoe Rel	6.514	E 11	72. FLANGE, Strg Shaft	6.525
N 3	30. COVER, Signal Switch & Horn Wire Protector	2.906	E 10	73. RETAINER, Brg Adaptor	6.521
N 3	31. SHIELD, Signal Lever Opening	2.906	M 23	74. ROD, Dimmer Switch (1977 Only)	2.459
E 9	32. RETAINER, Spring	6.514	M 23	75. SWITCH ASM, Dimmer (1977 Only)	2.459
E 9	33. SPRING, Whl Tilt	6.514	N 3	76. CAP, Dir Sig & Pivot Housing (1977 Only)	2.906
E 9	34. GUIDE, Strg Col Tilt Spring	6.514	E 9	77. SHIELD, Tilt Lever Opening (1977 Only)	6.514
E 8	35. SCREW, Shaft Lock	6.500	M 23	78. SPRING, Pin Preload (1977 Only)	2.459
M 20	36. RETAINER, Ign Switch Actuator Sector	2.195	M 23	79. ACTUATOR, Dimmer Switch Rod (1977 Only)	2.459
M 20	37. SECTOR, Ign Switch Actuator	2.195	M 23	80. PIN, Switch Actuator Pivot (1977 Only)	2.459
E 9	38. PIN, Pivot	6.514	N 20	81. SWITCH & PIVOT (1977 Only)	10.163
E 9	39. HOUSING ASM, Strg Col Strg Shaft Brg	6.514		82. SCREW, Rd Wash, Hd (M4.2 x 1.41)(1977 Only)	N.S.
M 20	40. SPRING, Pack Preload	2.195	N 2	83. ARM, Signal Switch (1977 Only)	2.895
M 20	41. RACK, Switch Actuator	2.195		84. NUT (9/16"-18)(1977 Only)	8.915
M 20	42. ACTUATOR, Ign Switch	2.195	E 9	85. SPACER, Steering Shaft (1977 Only)	6.514
E 9	43. LEVER, Shoe Rel	6.514	M 20	86. LOCK, W/Key, Ignition	2.188
			N 3	87. COVER ASM	2.906
			M 20	88. SCREW, Lock Cyl Retaining	2.195

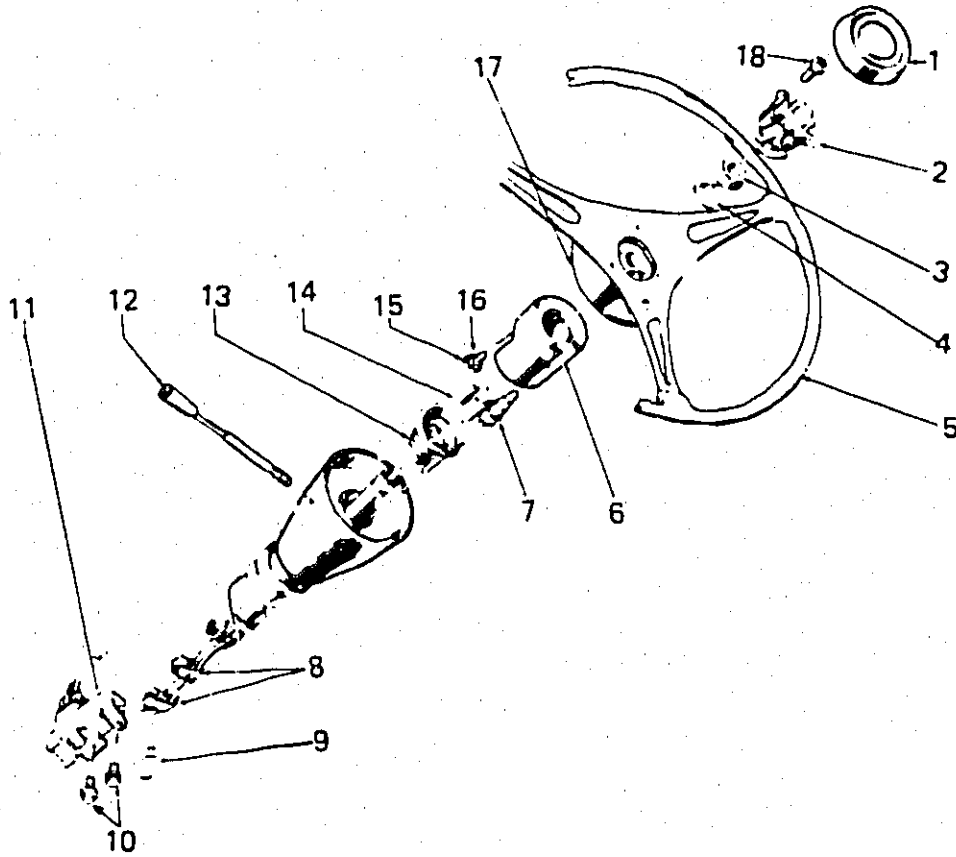
MICROFICHE INDEX  
GROUPS 6.000 THRU 8.000  
FICHE 4 OF 6

GROUP DESCRIPTION	STARTING GRID LOCATION	
	PARTS	ILLUSTRATIONS
- INTRODUCTION .....	A-6	H-2
- GENERAL INFORMATION .....	A-2	H-2
- ALPHABETICAL INDEX .....	C-11	N.A.
- INDEX FOR ADDITIONAL INFORMATION .....	A-5	N.A.
6.000 FRONT SUSPENSION - STEERING .....	E-2	H-6
7.000 FRAME - SPRINGS - SHOCKS - BUMPERS .....	F-2	J-2
8.000 FRONT END SHEET METAL - HEATER .....	G-5	L-2
- OUT OF FICHE CALLS .....	N.A.	M-11





V6-19

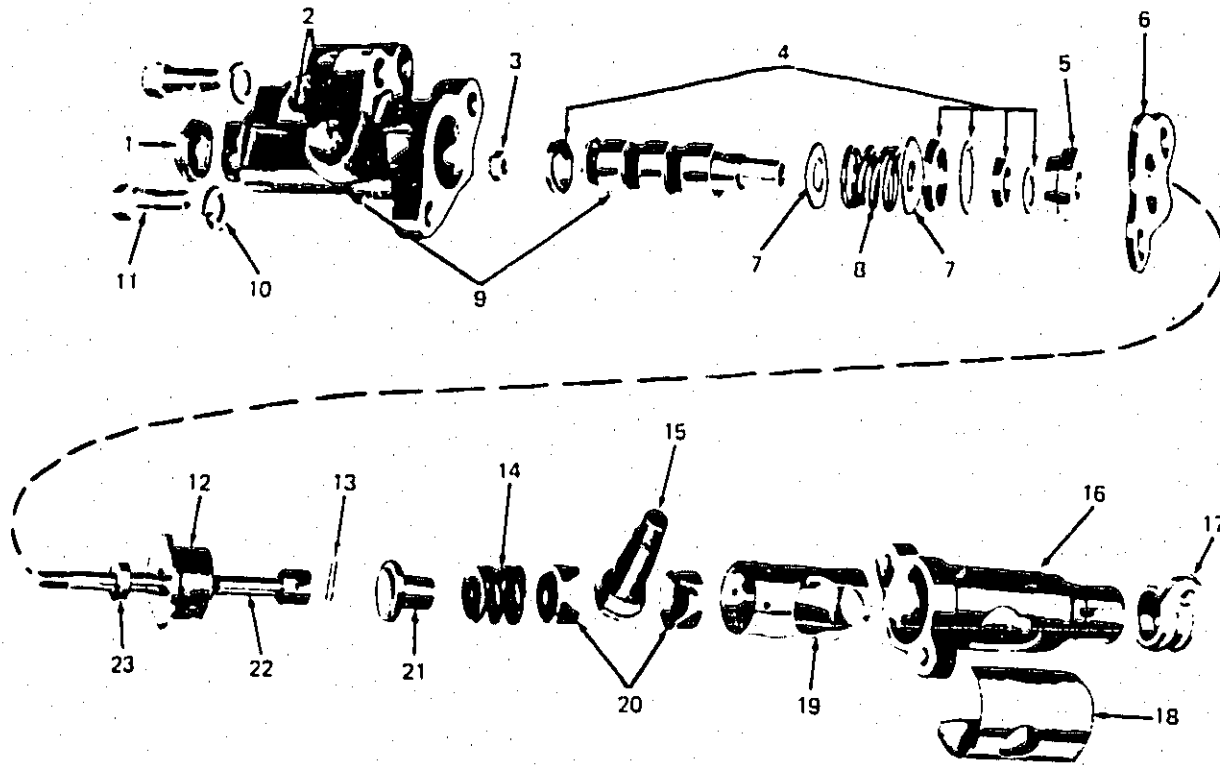


V6-19

1963-66 'Y' DIRECTIONAL SIGNAL DETAILS

M 28	1. CAP ASM .....	2.820
	2. CONTACT ASM .....	N.S.
	3. NUT (1/2"-20) .....	8.916
E 10	4. WASHER .....	6.515
E 9	5. WHEEL ASM .....	6.513
N 2	6. CAM .....	2.896
M 28	7. BRUSH .....	2.819
M 28	8. CLIP .....	2.892
M 24	9. CONNECTOR .....	2.530
	10. SCREW .....	N.S.
N 2	11. SWITCH ASM .....	2.895
N 2	12. LEVER ASM .....	2.897
E 10	13. BEARING .....	6.521
	14. SLEEVE .....	6.526
	15. SCREW (#10-32 x 3/8") .....	8.907
	16. WASHER, Lock (#10) .....	8.932
E 8	17. HUB ASM .....	6.512
	18. SCREW (#8-32 x 5/8") .....	8.913

V6-23

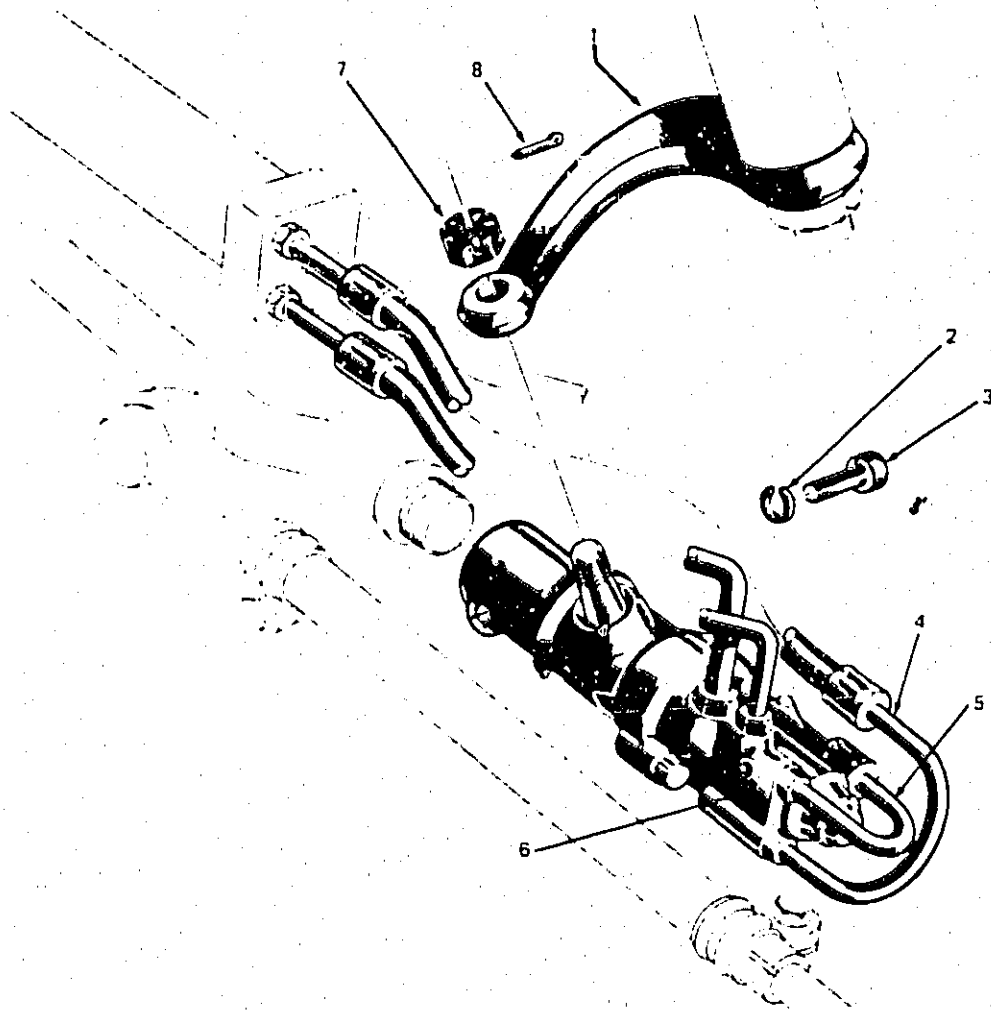


V6-23

**1955-57 POWER STEERING CONTROL VALVE**

E 12	1. COVER .....	6.554
E 14	2. SEAT .....	6.673
E 12	3. NUT .....	6.551
	4. Part of 6.507 SEAL KIT .....	N.S.
E 12	5. RING .....	6.552
E 12	6. SPACER .....	6.554
E 12	7. WASHER .....	6.552
E 12	8. SPRING .....	6.552
	9. Part of 6.507 Valve Kit .....	N.S.
	10. WASHER, Lock .....	8.931
	11. BOLT .....	8.900
E 12	12. PLUG .....	6.560
E 12	13. PIN .....	6.560
E 12	14. SPRING .....	6.560
E 16	15. STUD .....	6.874
E 12	16. ADAPTER ASM .....	6.550
E 7	17. CLAMP .....	6.234
E 12	18. SHIELD .....	6.560
E 12	19. SLEEVE .....	6.560
E 16	20. SEATS .....	6.874
E 12	21. PLUG .....	6.560
E 12	22. SHAFT .....	6.551
E 12	23. WASHER .....	6.554

V6-24

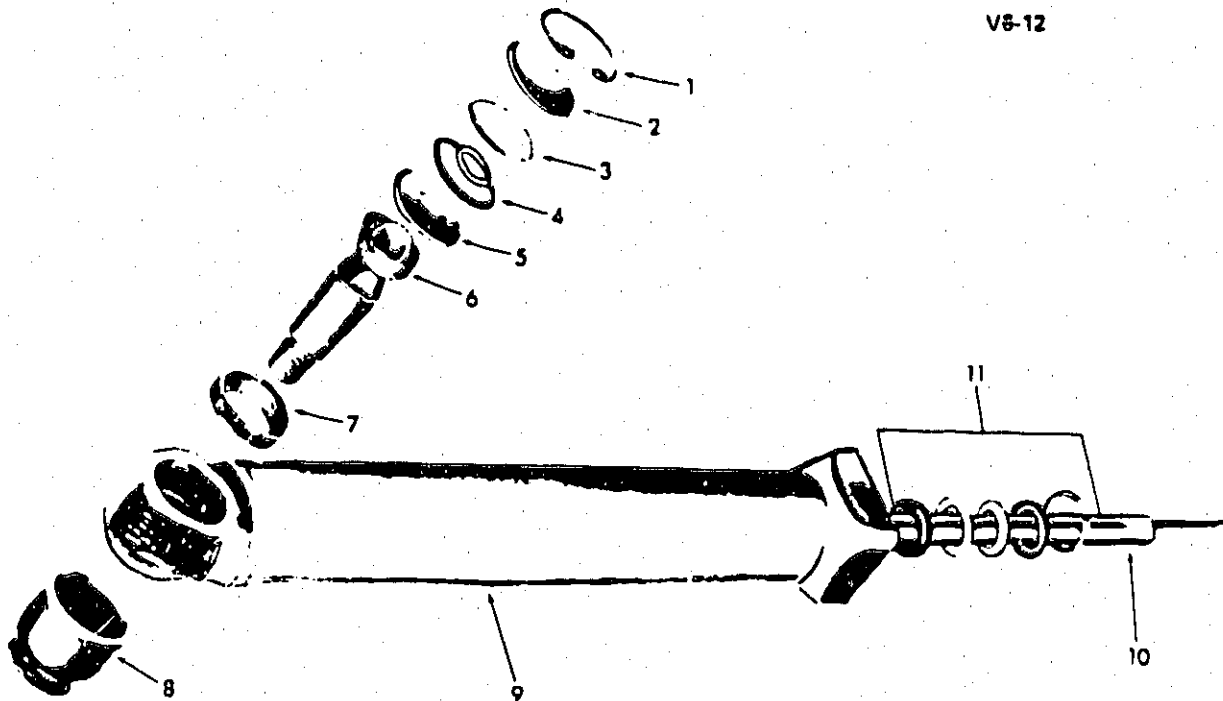


V6-24

**1963-73 'Y' POWER STEERING CONTROL VALVE**

E 16	1. ARM .....	6.859
	2. WASHER Lock (3/8") .....	8.931
	3. BOLT (3/8 -16 x 1 3/8") .....	8.900
E 14	4. PIPE ASM .....	6.670
E 14	5. PIPE ASM .....	6.670
E 12	6. VALVE ASM, W/Adapter .....	6.560
	7. NUT (1/2"-20) .....	8.917
	8. PIN (1/8" x 1") .....	8.938

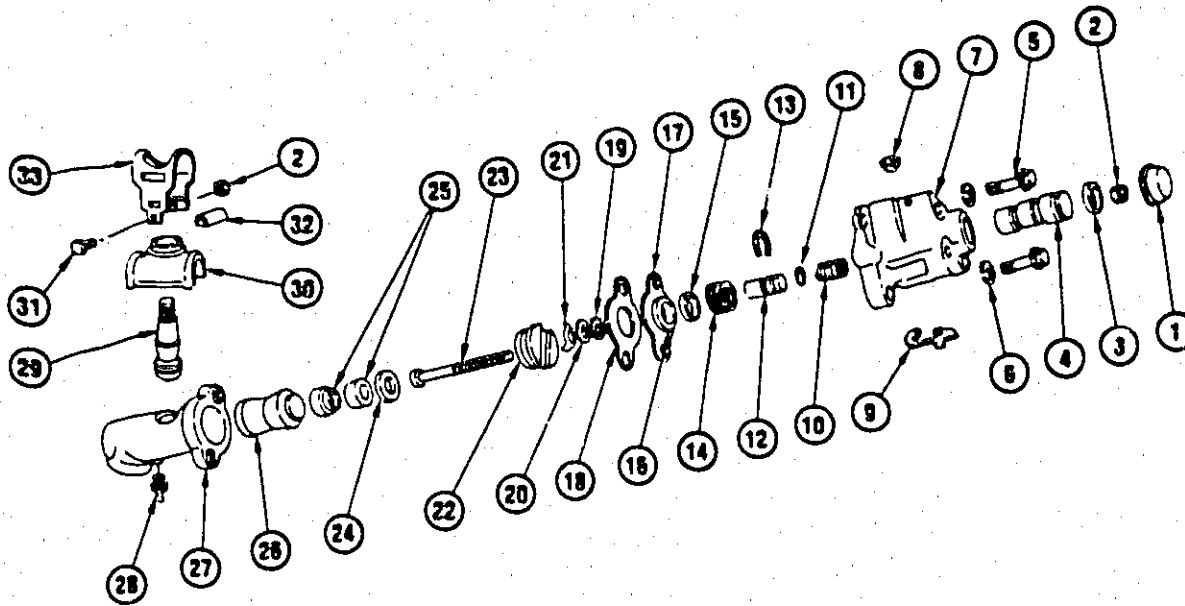
V6-12



V6-12

**1963-82 POWER STEERING CYLINDER**

E 12	1. RING .....	6.581
E 12	2. PLUG .....	6.581
E 12	3. SEAL, "O" RING .....	6.581
E 12	4. SPRING .....	6.581
E 12	5. SEAT, Spring .....	6.581
E 12	6. STUD .....	6.581
E 12	7. SEAT, Ball Stud Spring .....	6.581
E 12	8. SEAL .....	6.581
E 12	9. CYLINDER ASM .....	6.578
	10. Part of Cylinder Asm ..	N.S.
	11. Part of Kit .....	N.S.



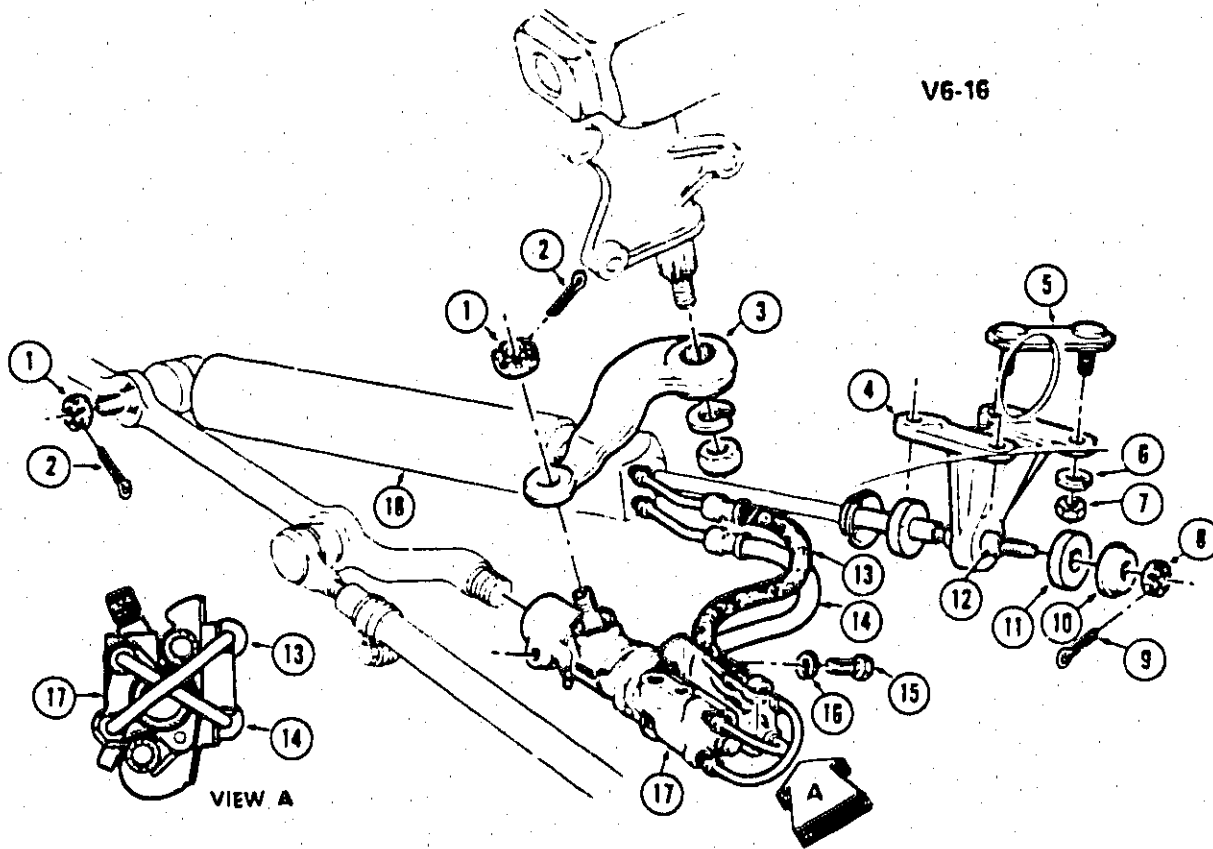
V6-29

### 1963-82 'Y' POWER STEERING CONTROL VALVE & ADAPTER

E 12	1.	8.554 COVER, Adapter Dust	7816810
	2.	N.S. NUT, Valve Shaft (Part of Kit, see list below)	
	3.	N.S. SEAL, Vee Block (Part of Kit, see list below)	
	4.	N.S. SPOOL, Valve (Part of Kit, see list below)	
	5.	8.900 BOLT, Hex (3/8"-16 x 1 1/8")	
	6.	8.931 WASHER, Lock (3/8")	
	7.	N.S. HOUSING, Valve (Part of Kit, see list below)	
E 14	8.	6.673 SEAT, Inverted Flared (1/4" Tube)	5681757
E 14	9.	6.672 BRACKET, Hose Guide (Beginning W/1974)	7819613
	10.	N.S. SPRING, Valve Adjusting (Part of Kit, see list below)	
E 14	11.	6.673 SEAL, "O" Ring (Also part of Kit, see list below)	5681740
	12.	N.S. SPOOL, Valve Reaction (Part of Kit, see list below)	
	13.	N.S. WASHER, Spring Thrust (Part of Kit, see list below)	
	14.	N.S. SPRING, Valve (Part of Kit, see list below)	
	15.	N.S. RETAINER, Spring (Part of Kit, see list below)	
	16.	N.S. SEAL, Annulus (Part of Kit, see list below)	
E 12	17.	6.554 SPACER, Annulus	5685469
E 12	18.	6.554 GASKET, Annulus Spacer (Also part of Kit, See list below)	5691581
E 12	19.	6.554 WASHER, Valve Shaft	5687011
E 12	20.	6.581 SEAL, Cylinder End Plug "O" Ring	5691199
E 12	21.	6.580 KEY, Control Valve & Adapter	5686218
E 12	22.	6.580 PLUG, Ball Stud Adjust	5691747
E 12	23.	6.551 SHAFT KIT, Valve (Includes item 24)	5687998
E 12	24.	6.580 SPRING, Ball Seat (Included W/item 23)	5687733
E 18	25.	6.874 SEAT, Ball Stud	264946
	26.	N.S. SLEEVE, Adapter Bearing	
	27.	N.S. HOUSING, Adapter (Part of Kit, see list below)	
	28.	8.984 FITTING, Lub	
	29.	N.S. STUD, Adapter Ball (Part of Kit, see list below)	
	30.	N.S. SEAL, Ball Stud (Part of Kit, see below)	
	31.	8.900 BOLT, Hex (1/4"-28 x 1 1/4")	
	32.	N.S. SPACER, Clamp (Part of Kit, see list below)	
	33.	N.S. CLAMP, Ball Stud Seal (Part of Kit, see list below)(* 1)	
		N.S. VALVE KIT (1963-73)	
E 8	6.507	VALVE KIT (1974-82)	7817308
		(Valve Kits include items 1,2,3,4,7,8,10,11,12,13,14,15,16,19,21,23)	
E 12	6.550	ADAPTER KIT (Includes item 22,23,24,25,26,27,29,30,33)	7825644
E 12	6.551	ADAPTER KIT (Includes item 2,26,27,30,31,32,33)	5691151
E 12	6.551	ADAPTER KIT (Includes items 2,24,25,29,30,31,32,33)	5691150
E 12	6.551	SEAL KIT, Ball Stud (Includes 2,30,31,32,33)	5691690
E 8	6.507	SEAL KIT, Valve (Includes 3,11,16)	5687997

NOTE 1: Bolt type Clamp & Spacer used in place of crimp type production Clamp.

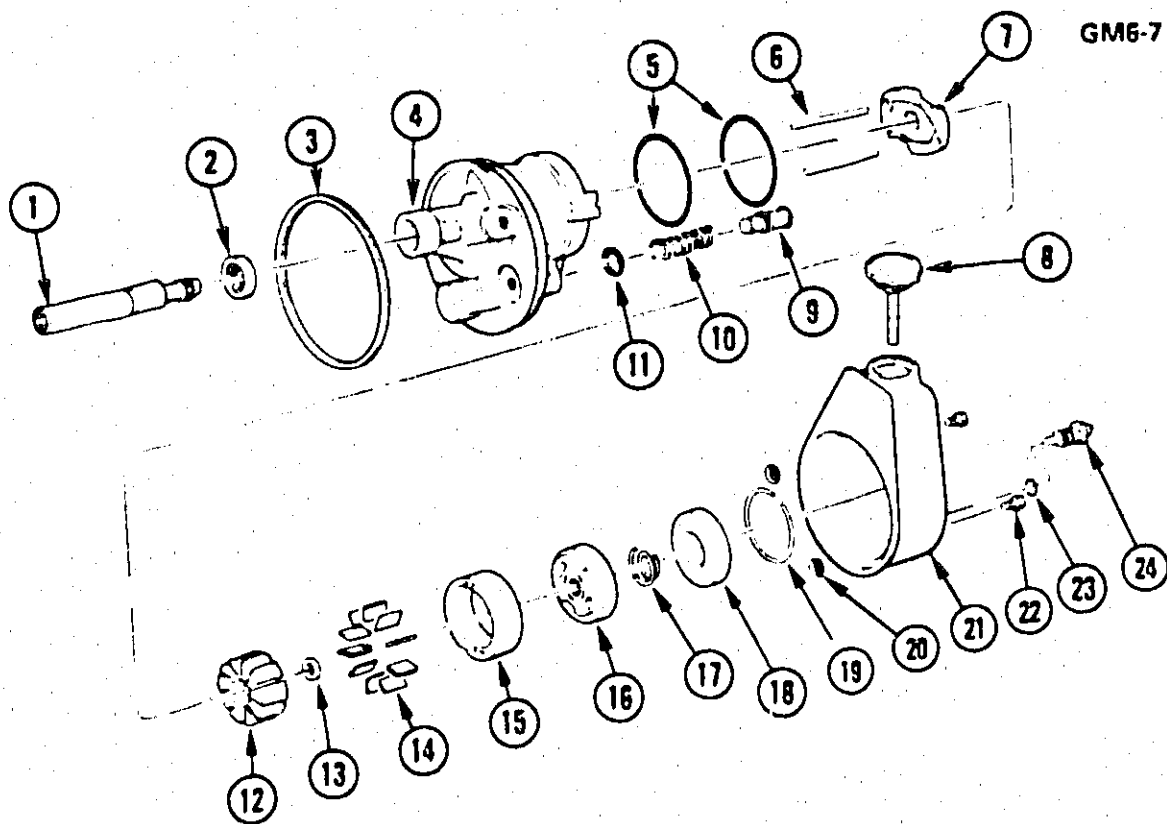
V6-16



V6-16

**1968-82 'Y' POWER STEERING CYLINDER**

	1. NUT (1/2"-20) .....	8.917
	2. PIN, Cotter (1/8" x 1") .....	8.938
E 16	3. ARM, Pitman .....	6.859
E 12	4. BRACKET, Hyd Strg Cyl Frame .....	6.575
E 12	5. REINFORCEMENT, Hyd Strg Cyl Frame Brk .....	6.575
	6. WASHER, Lock .....	8.931
	7. NUT (5/16"-18) .....	8.915
E 12	8. NUT, Hex (3/8"-24) .....	6.575
	9. PIN, Cotter (3/32" x 1") .....	8.938
E 12	10. WASHER, Special .....	6.581
E 12	11. GROMMET, Hyd Strg Cyl to Frm Brkt .....	6.581
E 12	12. SPACER, Hyd Strg Cyl to Frm Brkt .....	6.670
E 14	13. PIPE ASM, Retract .....	6.670
E 14	14. PIPE ASM, Extend .....	8.900
	15. BOLT (3/8"-16 x 1 3/8") .....	8.931
E 12	16. WASHER, Lock (3/8") .....	6.550
E 12	17. VALVE, W/Adapter Hyd Strg Cont .....	6.576
	18. CYLINDER ASM, Hyd Strg .....	



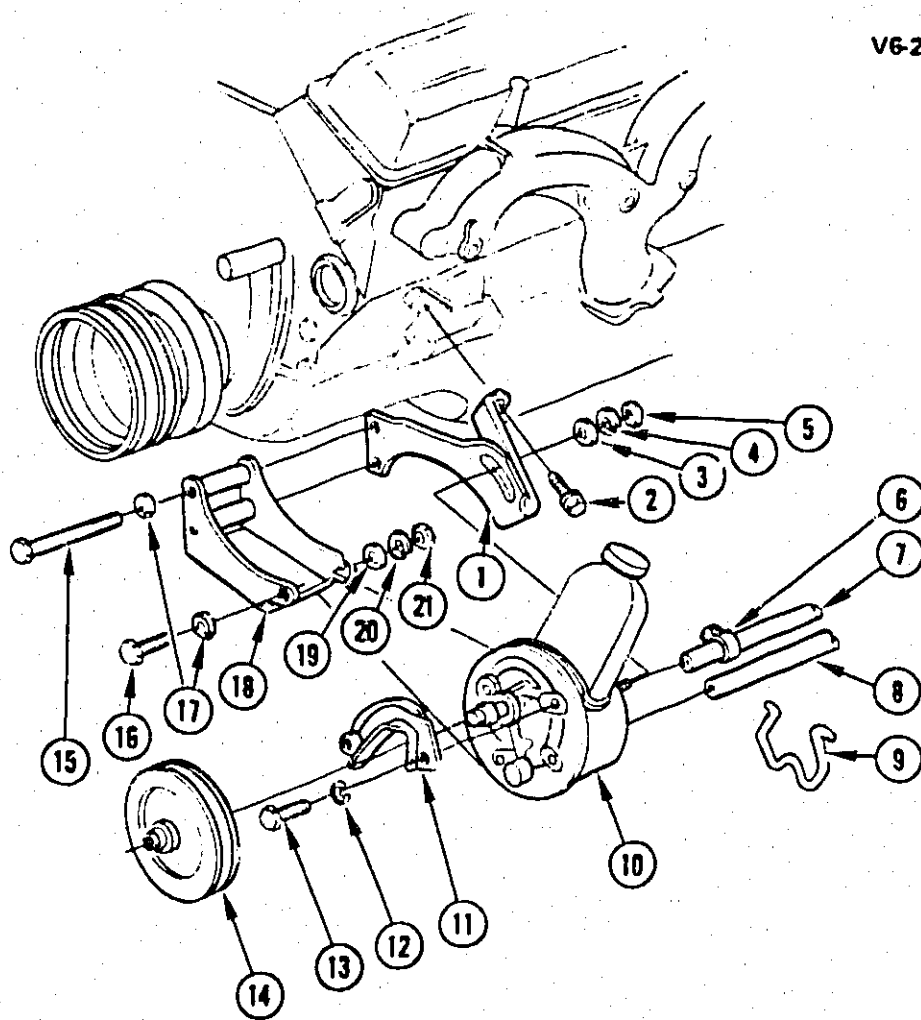
GM6-7

GM6-7

**1963-82 POWER STEERING PUMP**

E 13	1. SHAFT, Steering Oil Pump Drive	6.614
E 14	2. SEAL, Steering Oil Pump Shaft(* 1)	6.617
E 14	3. SEAL, Reservoir "O" Ring(* 1)	6.635
E 13	4. HOUSING ASM, Steering Oil Pump	6.608
E 13	5. SEAL, Pump End & Pressure Plate "O" Ring(* 1)	6.609
E 13	6. PIN, Pump Ring Dowel	6.608
E 13	7. PLATE, Thrust	6.612
E 14	8. CAP, Filler	6.635
E 14	9. VALVE ASM, Flow Control	6.624
E 13	10. SPRING, Flow Control	6.612
	11. SEAL, Union to Pump Hsg "O" Ring(* 1)	6.674
	12. ROTOR, Pump (Part of # 15)	N.S.
E 14	13. RING, Shaft Retainer (Also part of #1, 15)	6.616
	14. VANE, Rotor (Part of #15)	N.S.
E 13	15. RING KIT, Pump Rotor (Includes #12,13,14,15)	6.610
E 13	16. PLATE, Pressure	6.612
E 13	17. SPRING, Pressure Plate	6.612
E 13	18. PLATE, Pump Hsg End	6.609
E 13	19. RING, End Plate Retaining	6.609
E 14	20. SEAL, Reservoir(* 1)	6.635
E 14	21. RESERVOIR ASM, Steering Oil Pump	6.635
	22. BOLT, Hex (3/8"-16 x 3/4")	8.900
	23. SEAL, Fitting(* 1)	N.S.
E 14	24. FITTING, W/Orifice	6.673

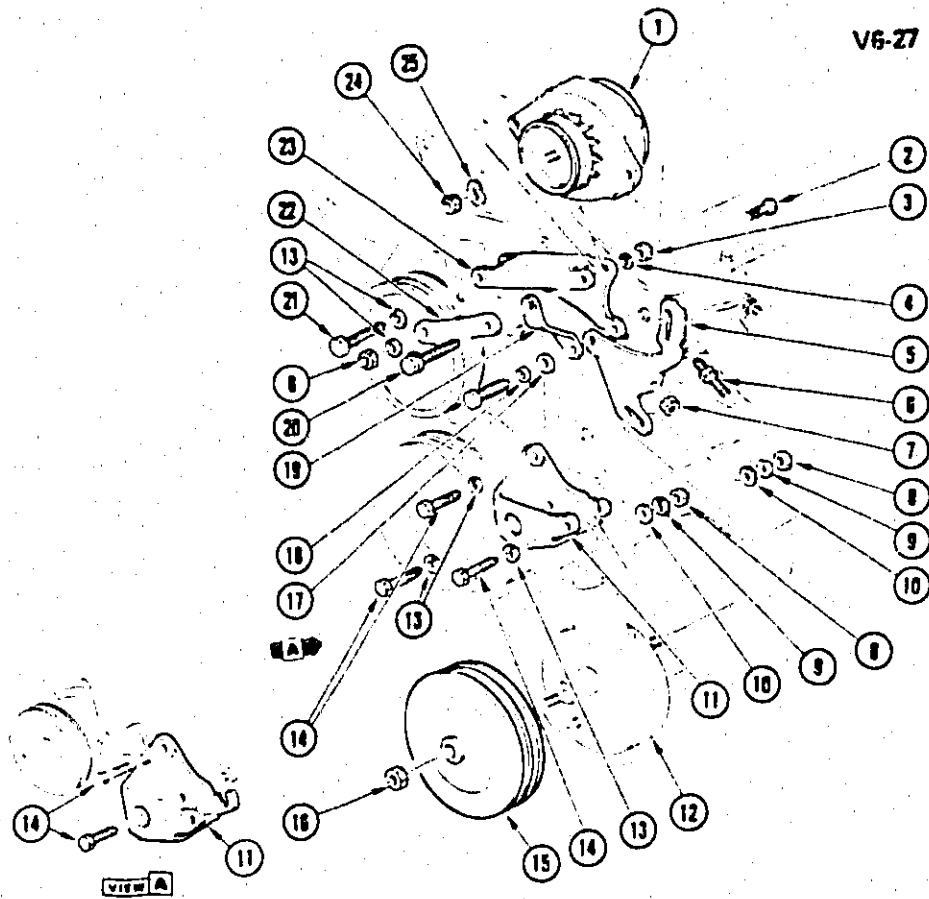
NOTE 1: Also part of Seal Kit, Group 6.609



1963-69 'Y' POWER STEERING PUMP MOUNTING (327, 350)

E 13	1. SUPPORT .....	6.606
	2. BOLT, Hex (3/8"-16 x 1") .....	8.900
	3. WASHER (13/32") .....	8.929
	4. WASHER, Lock (3/8") .....	8.931
	5. NUT, Hex (3/8"-16) .....	8.915
	6. CLAMP .....	8.948
E 14	7. HOSE, Pump to Cont Vlv Otlt .....	6.671
E 14	8. HOSE, Pump to Cont Vlv Inlet .....	6.670
E 14	9. CLAMP, Stg to Gear, Inlet and Otlt .....	6.672
E 13	10. PUMP .....	6.605
E 14	11. GUARD, Hyd Strg Pump .....	6.655
E 14	12. WASHER, Belt Guard (3/8") .....	6.655
E 14	13. BOLT, Hex (3/8"-16 x 1/2") .....	8.900
E 14	14. PULLEY, Hyd Strg Pump .....	6.655
	15. BOLT, Hex (3/8"-16 x 3 1/4") .....	8.900
	16. BOLT, Hex (3/8"-16 x 3/4") .....	8.900
	17. WASHER, Lock (3/8") .....	8.931
E 13	18. BRACKET .....	6.606
	19. WASHER (13/32") .....	8.929
	20. WASHER, Lock (3/8") .....	8.931
	21. NUT, Hex (3/8"-16) .....	8.915



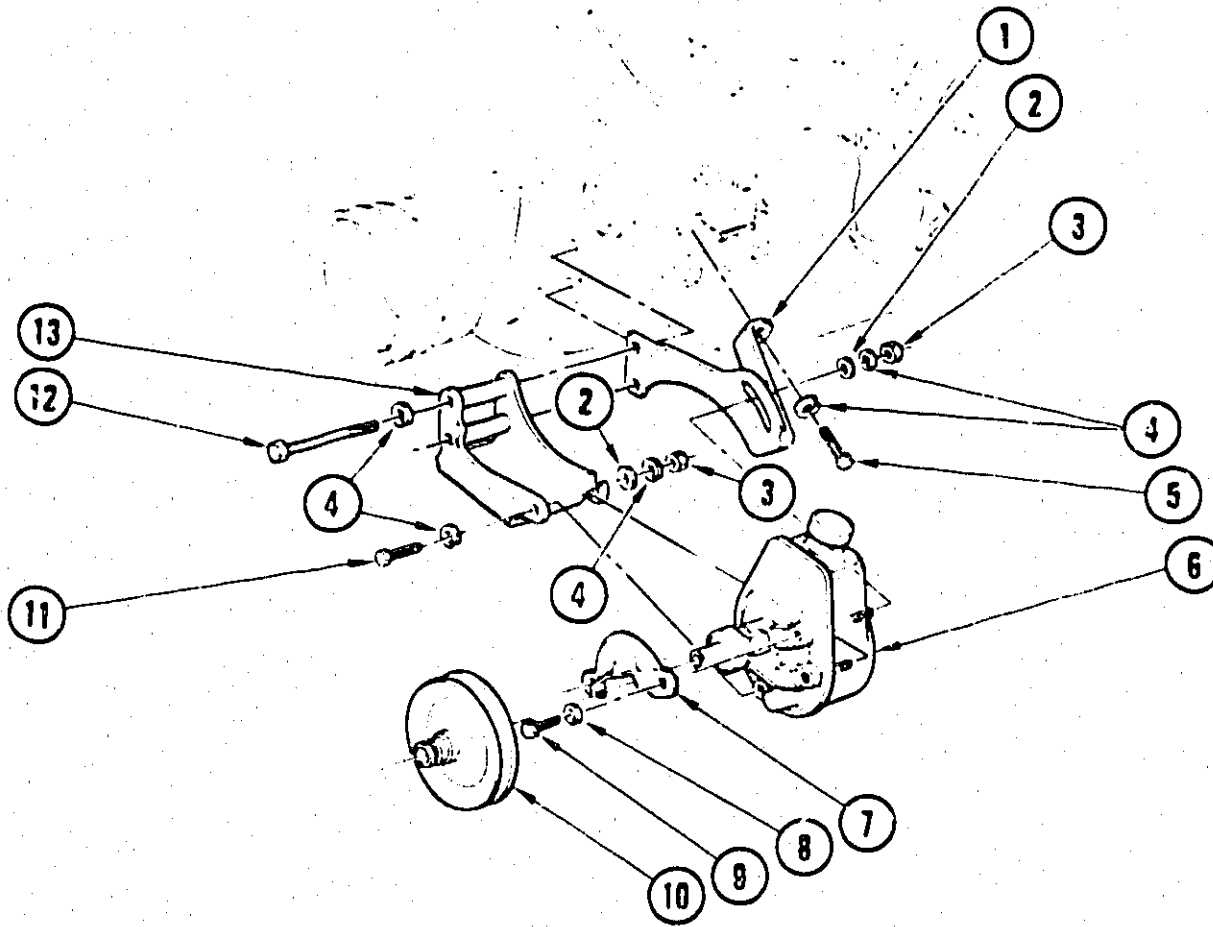


V6-27

**1965-74 'Y' POWER STEERING PUMP MOUNTING (396, 427, 454)**

M 22	1. GENERATOR .....	2.275
	2. BOLT, Hex (5/8"-18 x 1") .....	8.900
	3. NUT, Hex (5/16"-24) .....	8.917
	4. WASHER, Lock (3/8") .....	8.921
E 13	5. BRACE, P/S Pump and Gen .....	6.608
N 3	6. STUD, Exh Manifold (3/8"-16 x 5/16"-18 x 2 17/64") .....	3.275
	7. NUT, Hex (5/16-18) .....	8.915
	8. NUT, Hex (3/8"-16) .....	8.916
	9. WASHER, Lock (3/8") .....	8.931
	10. WASHER (13/32" x 13/16") .....	8.929
E 13	11. BRACKET, P/S Pump .....	6.606
E 13	12. PUMP, Steering Gear Hydraulic .....	6.605
	13. WASHER, Lock (3/8") .....	8.931
	14. BOLT, Hex (7/16"-14 x 13/16") .....	8.900
E 14	15. PULLEY, Hydraulic Steering Pump .....	6.655
E 14	16. NUT, Pulley (9/16"-18) .....	6.655
	17. WASHER, Flat (3/8") .....	8.929
	18. WASHER, Lock (5/16") .....	8.931
M 22	19. SUPPORT, Lower .....	2.277
	20. BOLT, Hex (3/8"-16 x 4 1/2") .....	8.900
	21. BOLT, Hex (3/8"-16 x 2 3/8") .....	8.900
	22. SUPPORT, Upper .....	N.S.
M 22	23. BRACKET, Generator .....	2.277
M 22	24. NUT, Generator (5/8"-27) .....	2.280
M 22	25. WASHER, Generator (Wave) .....	2.280

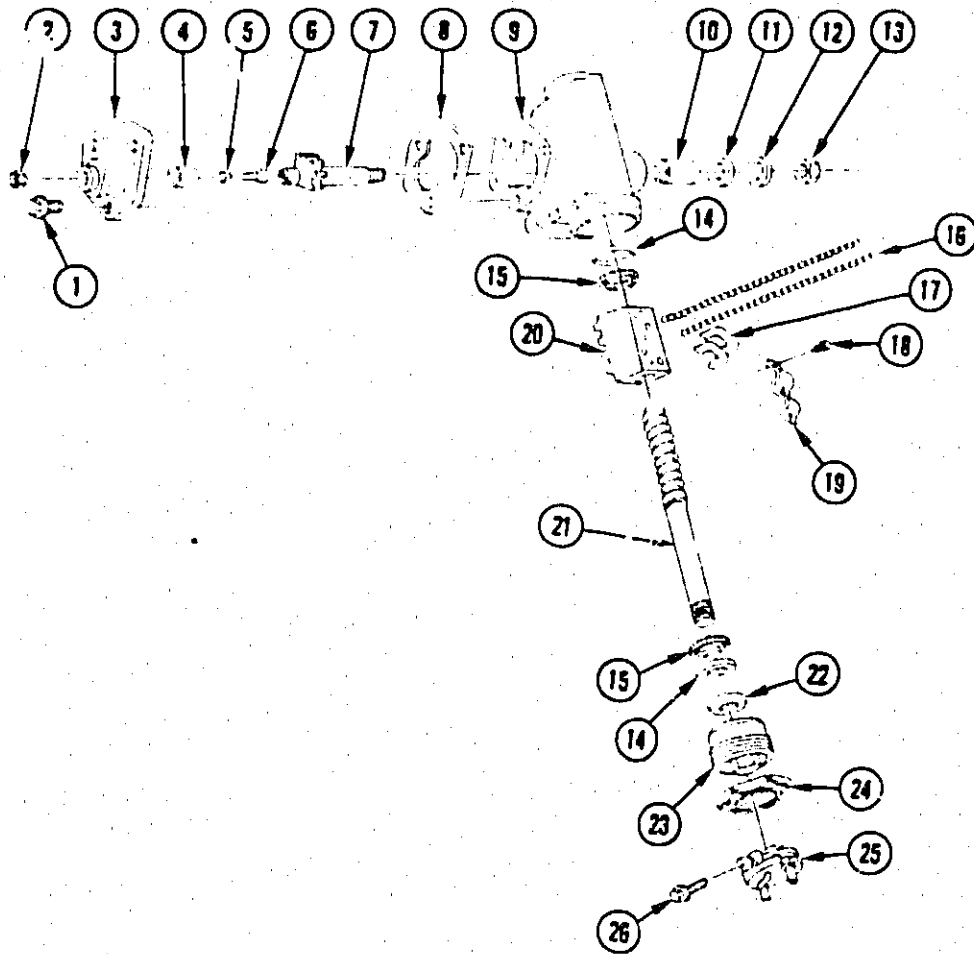
V6-1



V6-1

**1970-82 'Y' POWER STEERING PUMP MOUNTING (305, 350)**

E 13	1. SUPPORT, Strg Gear Hyd Pump Mtg .....	6.806
	2. WASHER (13/32" x 13/16") .....	8.929
	3. NUT (3/8"-16) .....	8.915
	4. WASHER (3/8") .....	8.931
M 12	5. BOLT, Hyd Strg Pump Belt Guard (3/8"-16 x 15/16") .....	0.002
E 13	6. PUMP ASM, Strg Gear Hyd .....	6.605
E 14	7. GUARD, Belt .....	6.655
E 14	8. WASHER, Belt Guard (3/8" ID x 17/32" OD) .....	8.655
	9. BOLT (3/8"-16 x 1/2") .....	8.900
E 14	10. PULLEY ASM, Strg Gear Hyd Pump .....	6.655
	11. BOLT (3/8"-16 x 3/4") .....	8.900
	12. BOLT (3/8"-16 x 3 3/16") .....	8.900
E 13	13. BRACKET ASM, Pump Mtg .....	6.606



V6-28

V6-28

**1963-82 'Y' STEERING GEAR**

E 15	1. BOLT, Side Cover (3/8"-16 x 3/4") (280M)(CZ)(8.900)	6.809
	2. NUT, Hex Jam (7/16"-20)	8.917
E 15	3. COVER KIT, Side (Includes #1,4,6 & 8)	6.807
	4. BUSHING, Side Cover (Part of #3)	N.S.
E 15	5. SHIM KIT, Lash Adj	6.828
E 15	6. ADJUSTER, Gear Lash	6.822
E 15	7. GEAR, Pitman Shaft	6.850
E 15	8. GASKET, Side Cover	6.809
E 15	9. HOUSING (Includes #10 & 14)	6.803
E 15	10. BUSHING, Pitman Shaft	6.786
E 15	11. SEAL, Pitman Shaft Grease	6.855
E 16	12. WASHER, Pitman Arm	6.861
E 16	13. NUT, Pitman Arm	6.861
E 15	14. RACE, Thrust Bearing	6.835
E 15	15. BEARING, Worm Thrust	6.835
E 15	16. BALL KIT, Worm Nut	6.844
E 15	17. GUIDE, Ball Return	6.842
E 15	18. SCREW, W/Lk Wa, Ball Return Guide Clamp	6.843
E 15	19. CLAMP, Ball Return Guide	6.843
	20. NUT, Ball (Part of #21)	N.S.
E 11	21. WORM, Gear	6.524
E 11	22. SEAL, Worm Shaft	6.525
E 15	23. ADJUSTER, Worm Brg (Includes #14)	6.830
E 15	24. NUT, Worm Brg Adj Lk	6.832
E 11	25. FLANGE, W/Coupling	6.525
E 11	26. BOLT, Flange (12 Point Hd)	6.525

MICROFICHE INDEX  
GROUPS 6.000 THRU 8.000  
FICHE 4 OF 6

GROUP DESCRIPTION	STARTING GRID LOCATION	
	PARTS	ILLUSTRATIONS
- INTRODUCTION .....	A-6	H-2
- GENERAL INFORMATION .....	A-2	H-2
- ALPHABETICAL INDEX .....	C-11	N.A.
- INDEX FOR ADDITIONAL INFORMATION .....	A-5	N.A.
6.000 FRONT SUSPENSION - STEERING .....	E-2	H-6
7.000 FRAME - SPRINGS - SHOCKS - BUMPERS .....	F-2	J-2
8.000 FRONT END SHEET METAL - HEATER .....	G-5	L-2
- OUT OF FICHE CALLS .....	N.A.	M-11

**J-1**

ILLUS

7



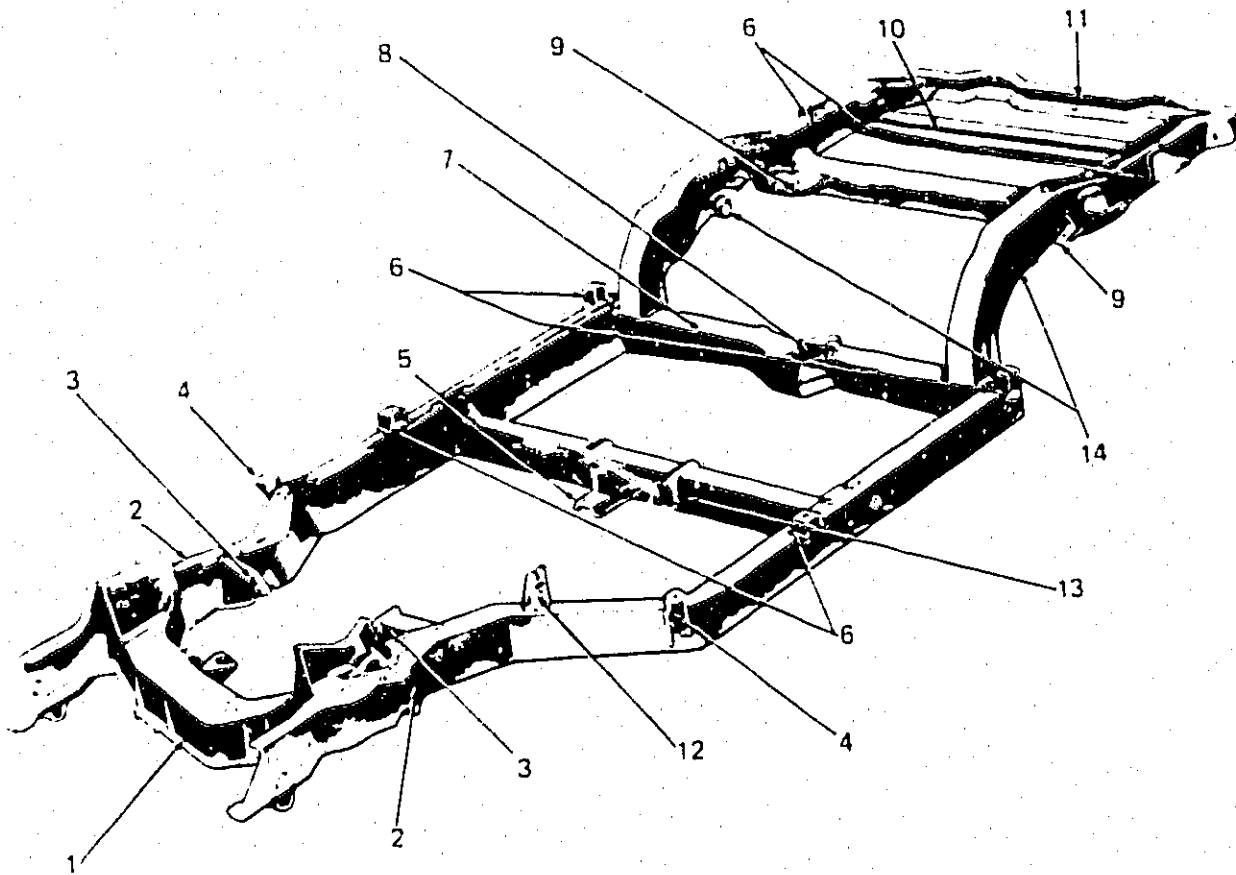
# CHEVROLET CHASSIS GROUP 7.000



## ILLUSTRATION INDEX

	TITLE	GRID
1963-67	Y FRAME .....	J4
1968-82	Y FRAME .....	J5
1961-62	Y REAR SPRING AND AXLE .....	J6
1961-62	Y REAR AXLE REBOUND STRAP .....	J7
1963-79	Y REAR SUSPENSION .....	J8
1980-82	Y REAR SUSPENSION .....	J10
1958-62	Y FRONT BUMPER .....	J12
1958-60	Y REAR BUMPER .....	J13
1961-62	Y REAR BUMPER .....	J14
1963-67	Y FRONT BUMPER .....	J15
1963-67	Y REAR BUMPER .....	J16
1968-72	Y FRONT BUMPER .....	J17
1968-73	Y REAR BUMPER .....	J18
1973-74	Y FRONT BUMPER .....	J19
1974	Y REAR BUMPER .....	J20
1975	Y FRONT BUMPER .....	J21
1976-79	Y FRONT BUMPER .....	J22
1975-79	Y REAR BUMPER .....	J24
1980-82	Y FRONT BUMPER .....	J26
1980-82	Y REAR BUMPER .....	J27
1963-67	Y SPARE TIRE CARRIER .....	K2
1968-79	SPARE TIRE CARRIER AND LOCK .....	K3
1980-82	SPARE TIRE CARRIER AND LOCK .....	K4

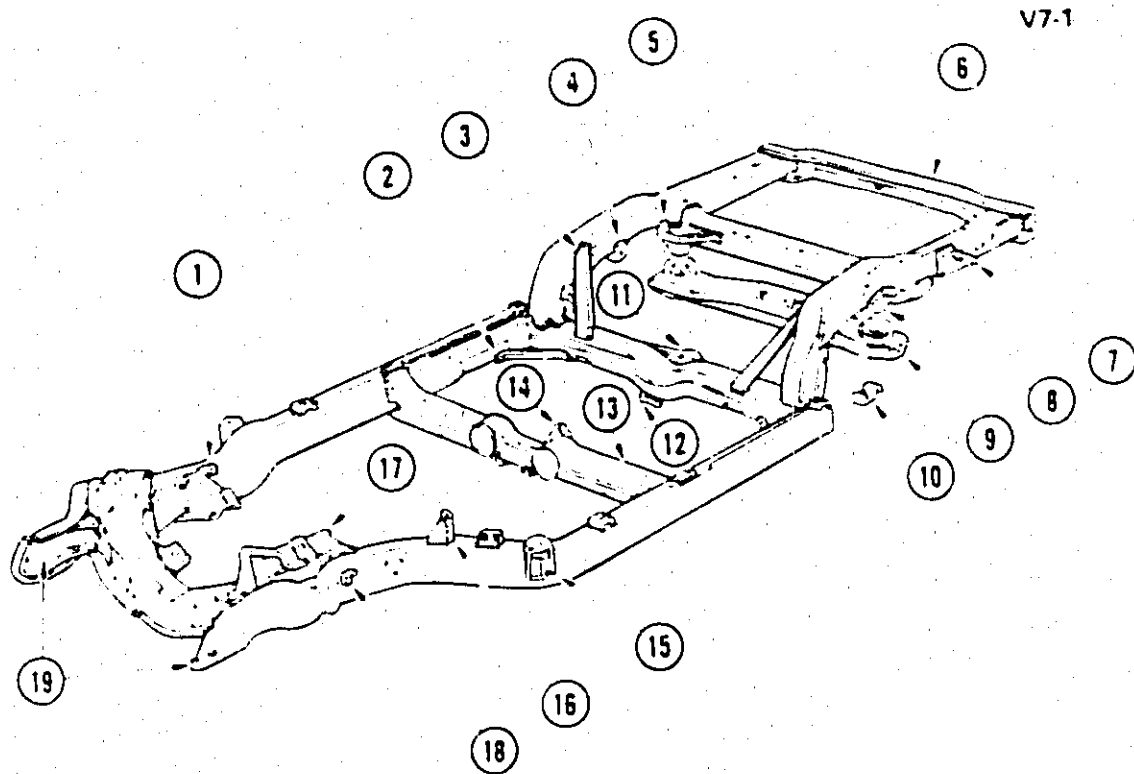
V7-13



V7-13

**1963-67 'Y' FRAME**

	1. MEMBER, Part of 7.003 FRAME ASM .....	N.S.
	2. MEMBER, Part of 7.003 FRAME ASM .....	N.S.
M 12	3. BRACKET .....	0.029
F 6	4. BRACKET .....	7.330
M 12	5. BRACKET .....	0.029
F 6	6. BRACKET .....	7.330
	7. MEMBER, Part of 7.003 FRAME ASM .....	N.S.
F 5	8. BRACKET .....	7.039
F 5	9. BRACKET .....	7.039
N 3	10. SUPPORT .....	3.015
F 5	11. MEMBER .....	7.014
M 12	12. BRACKET .....	0.852
F 5	13. MEMBER ASM .....	7.011
N 10	14. BRACKET .....	5.380



V7-1

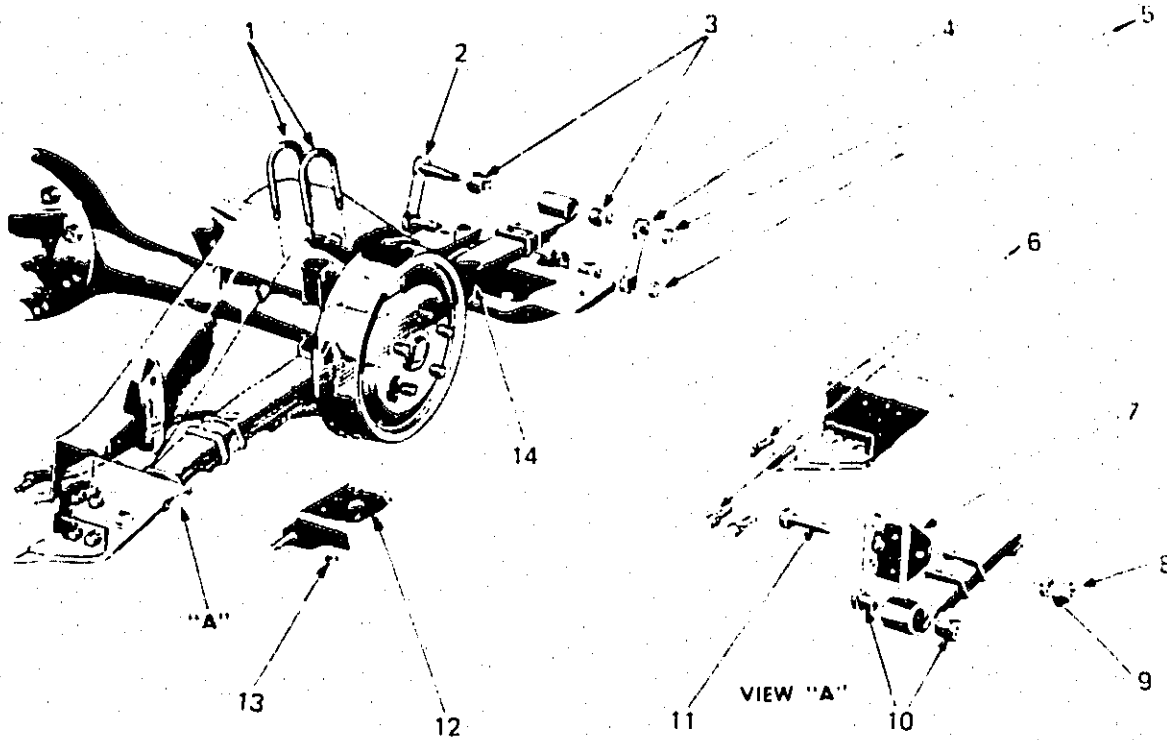
V7-1

**1968-82 'Y' FRAME**

M	12	1. BRACKET ASM, Eng Frt Mtg Frame .....	0.029
F	5	2. GUSSET, Frt Crossmember .....	7.039
F	5	3. REINFORCEMENT ASM, Frt Crossmember .....	7.039
N	10	4. BRACKET, Right Rear Supt Cont Arm Bpr .....	5.380
F	5	5. BRACKET, Diff Carrier Mtg Rear .....	7.039
F	5	6. MEMBER ASM, Rear Cross .....	7.014
F	6	7. BRACKET, Body #4 .....	7.330
N	10	8. SUPPORT ASM, Rear Susp Outer Mtg (5-1/8" OD) .....	5.410
N	10	9. MEMBER ASM, Rear Susp Mtg Cross (1968-79 Only) .....	5.380
N	10	10. BRACKET, Rear Susp Control Arm Bpr .....	5.380
F	5	11. BRACKET, Diff Carrier Mtg Frt .....	7.039
N	27	12. BRACKET, Seat Belt Cable (1974-75 Only) .....	14.875
F	5	13. MEMBER ASM, Trans Supt Cross .....	7.011
N	8	14. BRACKET, Park Brake to Crossmember .....	4.785
F	6	15. BRACKET, Body #1 .....	7.330
M	12	16. BRACKET, Shaft Frame .....	0.852
M	12	17. BRACKET ASM, Frt Mtg Frame .....	0.029
N	8	18. BRACKET, Frt Left Frame ("L" Shape W/O Side Proj) .....	4.681
F	5	19. MEMBER KIT, Frt Side Cross .....	7.010



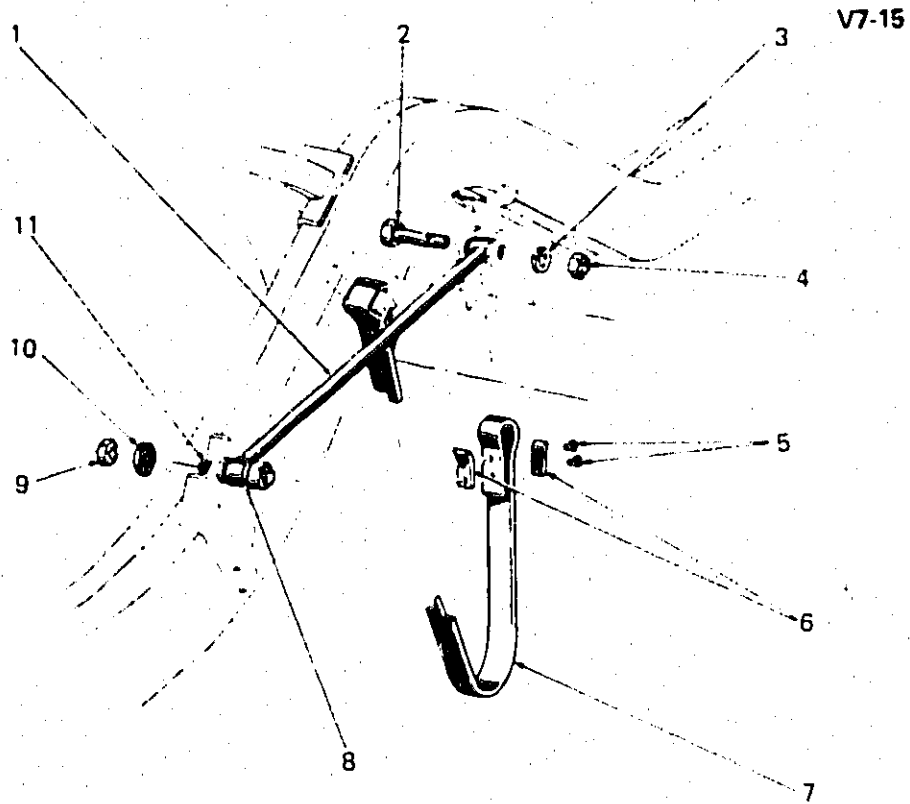
V7-14



V7-14

**1961-62 'Y' REAR SPRING AND AXLE**

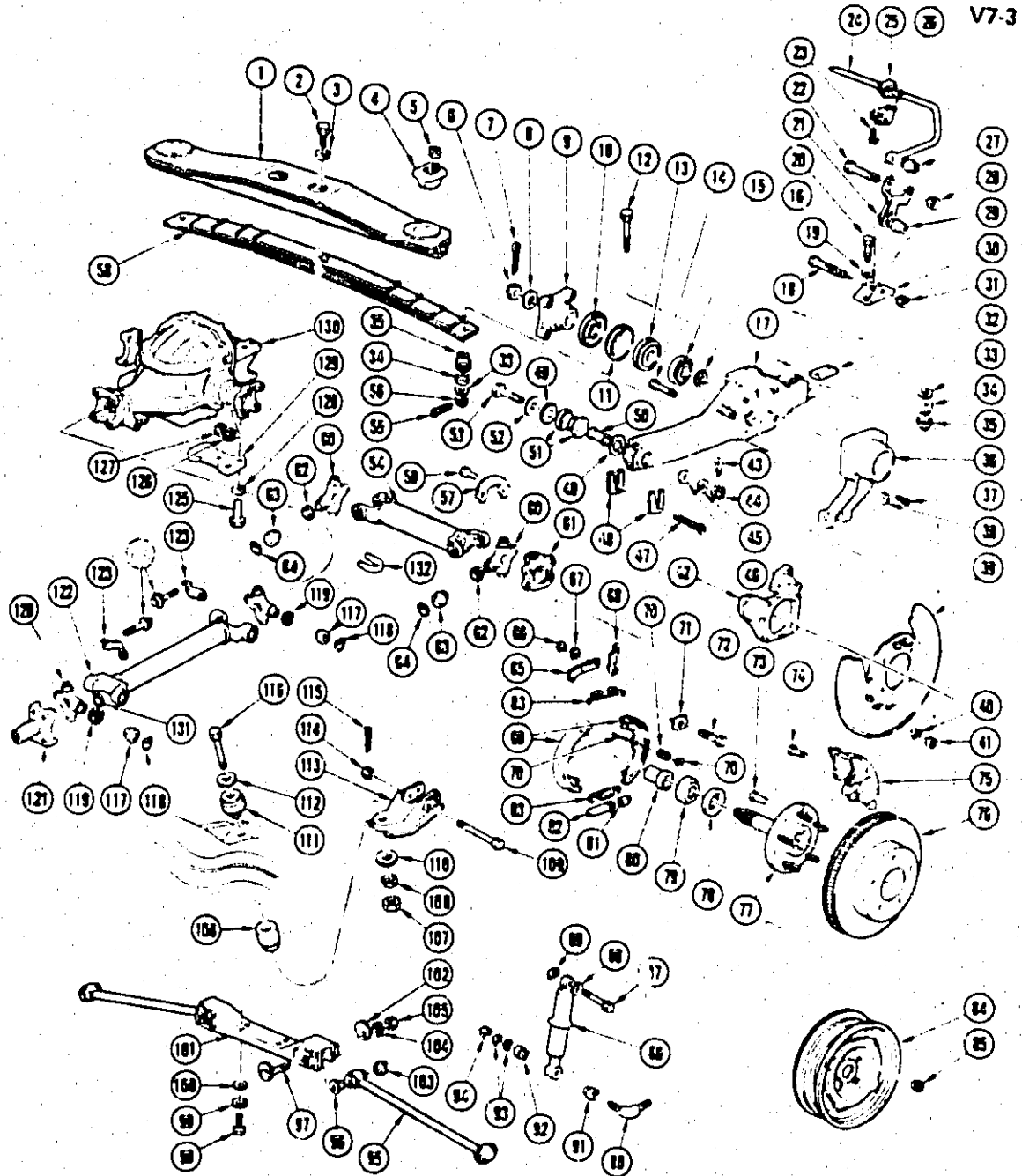
F 8	1. "U" BOLT .....	7.516
	2. Part of 7.523 SHACKLE UNIT .....	N.S.
F 8	3. BUSHING .....	7.524
F 8	4. SHACKLE .....	7.523
	5. NUT (3/8"-24) .....	8.915
	6. BOLT (3/8"-24 x 1") Use With 8.931 L/WASHER (3/8") .....	8.900
F 5	7. HANGER .....	7.112
	8. NUT (9/16") .....	8.915
	9. WASHER, Lock (9/16") .....	8.931
F 8	10. BUSHING .....	7.504
F 8	11. PIN .....	7.529
F 7	12. PLATE ASM .....	7.370
F 7	13. NUT (1/2"-20) .....	7.395
F 8	14. SPRING ASM, Rear .....	7.503



V7-15

**1961-62 'Y' REAR AXLE REBOUND STRAP**

N 10	1. ROD ASM .....	5.415
N 10	2. BOLT .....	5.418
	3. WASHER, Lock (9/16") .....	8.931
	4. NUT (9/16"-18) .....	8.915
	5. RIVET (3/16" x 11/16") .....	8.967
N 10	6. PLATE .....	5.350
N 10	7. STRAP .....	5.390
N 10	8. WASHER (9/16") .....	5.418
	9. NUT (9/16"-18) .....	8.917
N 10	10. WASHER .....	5.418
N 10	11. STUD .....	5.418



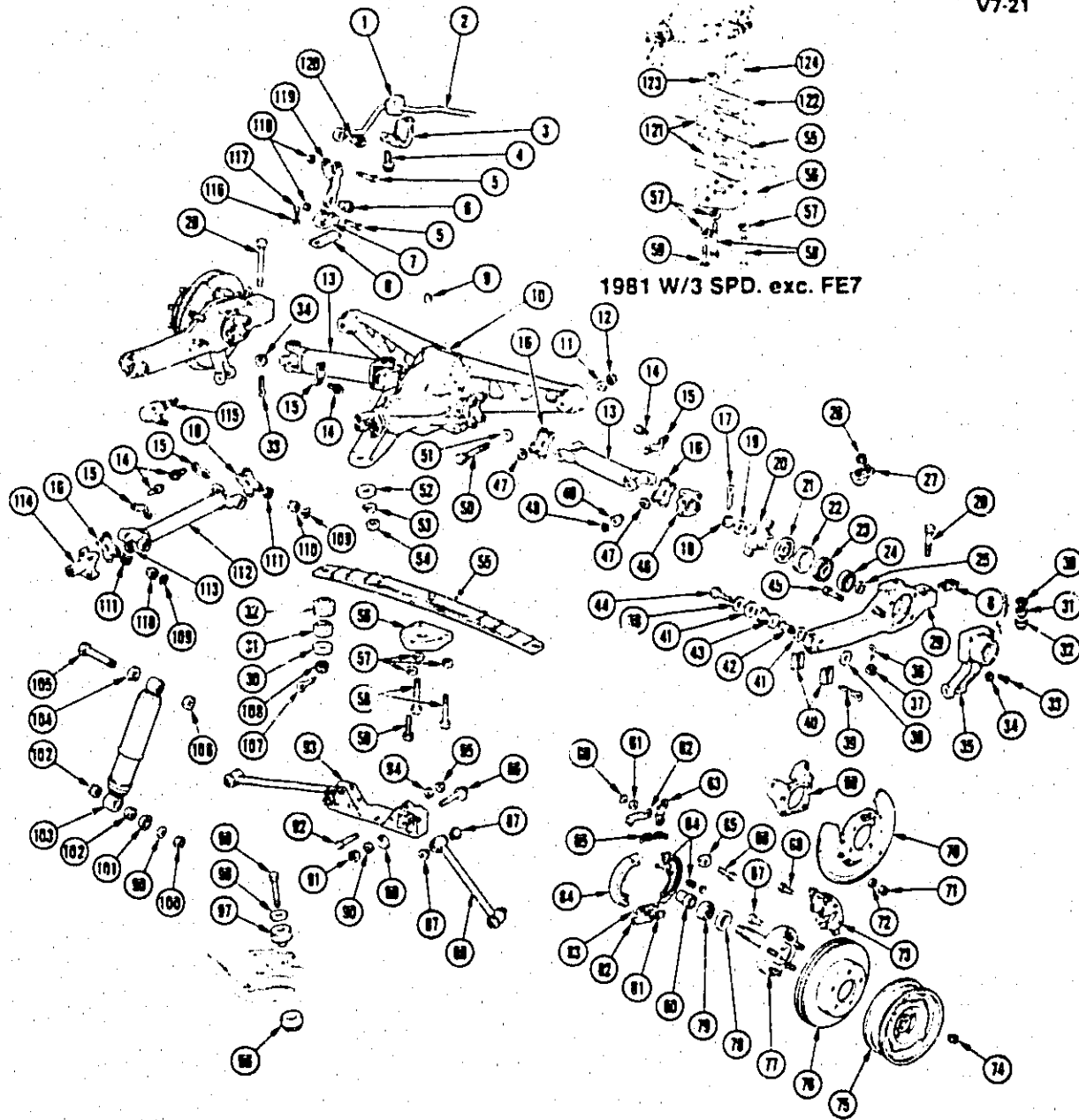
V7.3

**1963-79 'Y' REAR SUSPENSION**

## 1963-79 'Y' REAR SUSPENSION

N 10	1. MEMBER, Rr Susp Mtg Cross	5.380	N 9	66. CLIP, Parking Lvr	5.058
	2. BOLT (7/16"-14 x 1 1/8")	8.900	N 9	67. WASHER, Pivot Pin	5.158
	3. WASHER (7/16")	8.929	N 9	68. LEVER, Parking Brake	5.149
N 10	4. BUMPER, Rr Spring	5.395	N 9	69. SHOE KIT, Parking Brake	5.017
E 15	5. NUT (3/8"-16)	6.760	N 9	70. PIN, Brake Shoe	5.043
N 14	6. NUT (3/4"-20)	5.829	N 9	71. PLATE, Brake Shoe Guide	5.045
	7. PIN, Rr Whl Spindle	8.939	N 9	72. BOLT (1/2"-20 x 2")	5.056
N 14	8. WASHER (7/32")	5.030		73. RIVET, Spindle	N.S.
N 13	9. FLANGE, Rr Whl Spindle	5.806		74. BOLT (7/16"-20 x 1 1/8")	8.900
N 11	10. DEFLECTOR, Rr Whl Spindle	5.425	N 7	75. HOUSING ASM, Brake Caliper	4.665
N 13	11. SHIELD, Rr Whl Inr Brg	5.815	N 13	76. DISC, Rr Whl Brake	5.809
F 8	12. BOLT, Rr Spring (9/16"-18 x 6 3/8")	7.529	N 13	77. SPINDLE, Rr Whl	5.806
N 13	13. SEAL, Rr Inr Brg	5.822	N 13	78. SEAL, Rr Whl Otr Brg	5.822
N 8	14. BOLT (3/8"-24 x 2 7/8")	5.002	N 14	79. BEARING ASM, Rr Whl Otr	5.855
N 14	15. BEARING, Rr Whl Inr	5.855	N 13	80. SPACER, Brg	5.816
N 14	16. SHIM, Rr Whl	5.855	N 9	81. SOCKET, Adj Screw	5.111
N 10	17. ARM, Torque Control	5.382	N 9	82. SCREW, W/Nut Parking Brake Adj	5.110
	18. BOLT (3/8"-16 x 1 3/8")	8.900	N 9	83. SPRING, Parking Brake	5.026
	19. WASHER (5/16" x 19/32")	8.931	N 13	84. WHEEL ASM, Rr	5.803
	20. BOLT (5/16"-18 x 3/4")	8.900	N 13	85. NUT (7/16"-20)	5.813
F 5	21. LINK, Rr Stab Shaft	7.240	F 6	86. ABSORBER, Rr Shock	7.345
	22. BOLT (3/8"-16 x 1 3/8")	8.900	F 7	87. BOLT (7/16"-20 x 2 3/16")	7.347
	23. BOLT (5/16"-18 x 1 7/16")	8.900		88. WASHER (7/16")	8.931
F 5	24. SHAFT, Rr Stab	7.241		89. NUT (7/16"-20)	8.916
F 6	25. BUSHING, Rr Stab Shaft	7.243	N 10	90. SHAFT, Rr Whl Spindle	5.381
F 6	26. BRACKET, Stab Shaft	7.242	F 7	91. GROMMET, Shk Abs Link Rr Lwr	7.388
F 6	27. BUSHING, Rr Stab	7.243	F 7	92. GROMMET, Shk Abs Link Rr Lwr	7.388
	28. NUT (3/8"-16)	8.916		93. WASHER (1/2" x 7/8")	8.931
F 6	29. BUSHING, Rr Stab	7.243	N 10	94. NUT (1/2"-20)	5.383
F 6	30. BRACKET, Rr Stab Shaft	7.242	N 10	95. STRUT, Rr Whl Spindle Supt	5.415
	31. NUT (3/8"-16)	8.916	N 10	96. CAP, Bushing	5.417
F 6	32. PLATE (3 x 3/4" W/2 Holes)	7.245	N 10	97. CAM, Spindle Supt Strut	5.417
F 8	33. RETAINER, Otr Rr Spring	7.545		98. BOLT (3/8"-16 x 7/8")	8.900
F 8	34. CUSHION, Rr Spring	7.545		99. WASHER (3/8")	8.931
F 8	35. RETAINER, Inner	7.545		100. WASHER (23/32")	8.929
N 10	36. SUPPORT, Cont Arm to Spindle	5.380	N 10	101. BRACKET, Rr Whl Spindle	5.380
	37. PIN (5/32"-1 1/4")	8.938	N 10	102. CAM, Rr Whl Spindle	5.417
	38. NUT (5/8"-18)	8.917	N 10	103. BUSHING, Rr Whl Strut	5.417
N 8	39. PLATE, Parking Brake	5.001		104. WASHER (1/2")	8.931
	40. WASHER (3/8")	8.931		105. NUT (1/2"-20)	8.921
	41. NUT (3/8"-24)	8.915	N 14	106. INSULATOR, Diff Carr Mt Lwr	9.023
N 8	42. BRACKET, Brake Flange Rr	5.001		107. NUT (7/16")	8.915
	43. PIN (3/32" x 1")	8.938		108. WASHER (7/16")	8.931
	44. NUT (7/16")	N.S.	N 10	109. BOLT (7/16"-20 x 4 13/16")	5.383
	45. WASHER (7/16" x 51/64" x 5/32")	8.931		110. PLATE, Body Mtg Cushion	N.S.
N 10	46. WASHER (15/32")	5.383	N 14	111. INSULATOR, Diff Carr Mt Upr	9.023
	47. PIN (11/64" x 4 1/2")	8.938	G 13	112. WASHER (7/16")	8.154
N 10	48. SHIM, Rr Susp Torque	5.380	N 11	113. BRACKET, Diff Carrier Mtg	5.500
N 10	49. PLATE, Rr Susp Torque	5.381	M 12	114. NUT (7/16"-20)	0.002
N 10	50. RETAINER, Torque Arm Bshg	5.381		115. PIN (3/32" x 1")	8.938
N 10	51. BUSHING, Upr Rr	5.383		116. BOLT (7/16"-14 x 2 7/8")	8.900
N 10	52. WASHER (15/32")	5.383	N 12	117. BEARING ASM, Part Of #120	5.548
N 10	53. BOLT (7/16"-20 x 49/16")	5.383	N 13	118. RING, "U" Joint (Also Part #120)	5.586
N 11	54. SHAFT, Axle	5.420	N 12	119. SEAL, "U" Joint (Also Part #120)	5.560
	55. PIN (1/8" x 1 1/4")	8.938	N 12	120. REPAIR KIT, "U" Joint	5.548
	56. NUT (9/16"-18)	8.917	N 12	121. YOKE, "U" Joint Sleeve Frt	5.555
N 11	57. LOCK, Rr Axle "U" Joint	5.428	N 12	122. SHAFT, Rr Propeller	5.544
F 8	58. SPRING, Leaf Type Rr	7.503	N 13	123. STRAP, Propeller Shaft	5.586
	59. BOLT (7/16"-20 x 1 1/8")	8.900	N 13	124. BOLT (5/16"-24 x 1 7/16")	5.586
N 12	60. REPAIR KIT, Dr Shaft "U" Joint	5.548		125. BOLT (7/16"-14 x 3 5/16")	8.900
N 11	61. FLANGE, Rr Whl "U" Joint	5.425		126. WASHER (3/8" x 43/64")	8.931
N 11	62. SEAL, Yoke Brg (1 1/32" x 21/32") (Also Part of #60)	5.430		127. NUT (3/8"-24)	8.915
N 11	63. BEARING, "U" Joint (Also Part of #60)	5.428		128. WASHER (9/16")	8.929
N 13	64. RING, "U" Joint (Also Part of #60)	5.586	F 8	129. PLATE, Rr Spring Anchor	7.518
N 9	65. STRUT, Park Brk Shoe Lvr	5.150	N 11	130. CARRIER ASM, Diff	5.505
			N 13	131. SPACER, Trunnion Brg	5.566
			N 13	132. BOLT, "U" (Trun Finger Dia 25/32")	5.586

V7-21



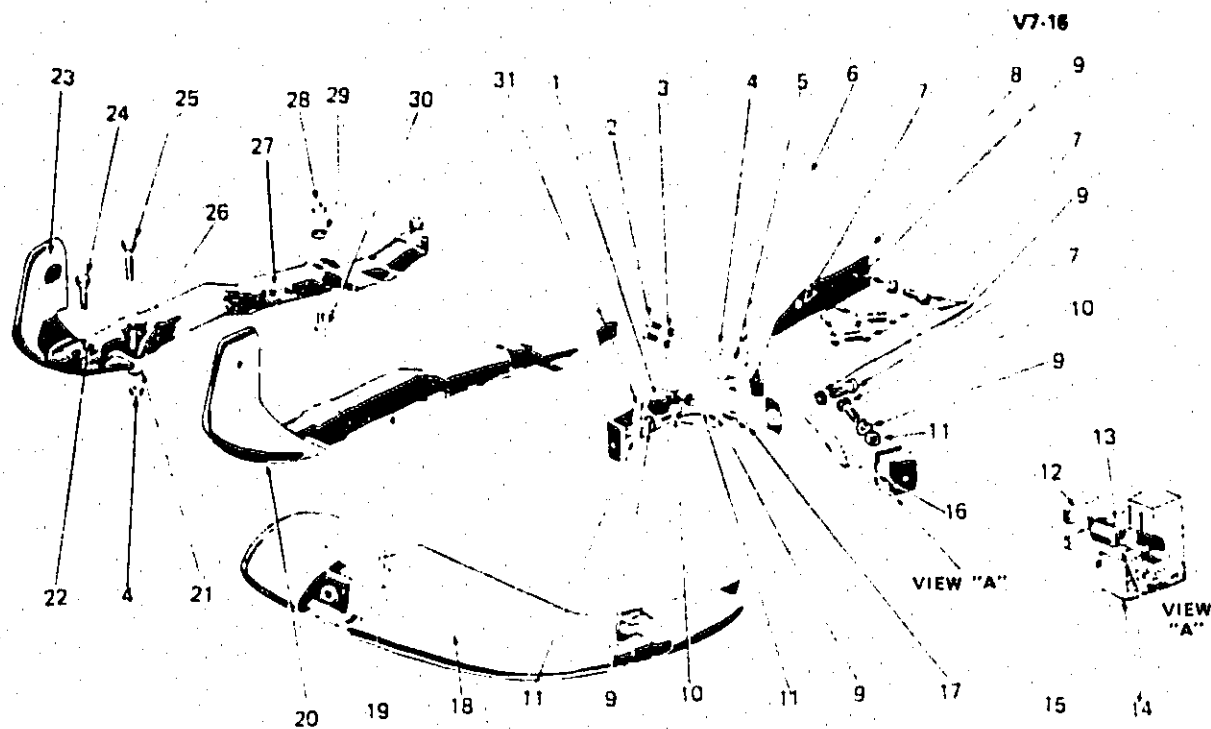
1981 W/3 SPD. exc. FE7

V7-21

### 1980-82 'Y' REAR SUSPENSION

## 1980-82 'Y' REAR SUSPENSION

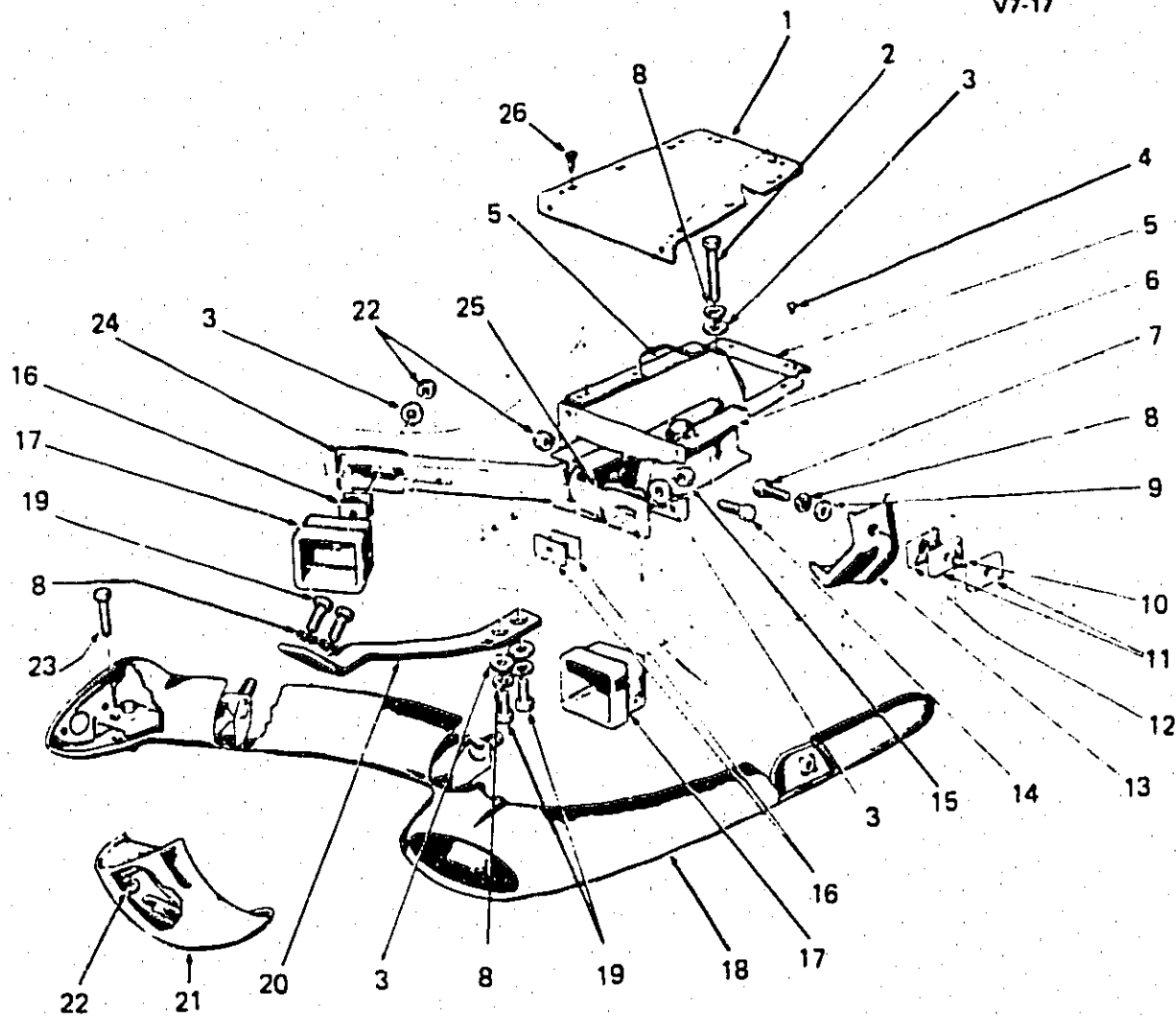
F 6	1. BUSHING, Rr Stab Shaft	7.243	N 9	62. STRUT, Parking Brake Shoe Lever	5.150
F 5	2. SHAFT, Rr Stab	7.241	N 9	63. LEVER, Parking Brake Shoe	5.149
F 6	3. BRACKET, Rr Stab Shaft	7.242	N 9	64. PIN KIT, Brake Shoe	5.043
F 6	4. SCREW, Rr Stab Shaft Brkt	7.242	N 9	65. PLATE, Brake Shoe Guide	5.045
	5. BOLT (3/8"-16 x 1 3/8")	8.900	N 9	66. BOLT, Hex (7/16"-20 x 1 1/16")	5.056
F 6	6. BUSHING, Rr Stab Shaft Link	7.243		67. RIVET, Spindle	N.S.
F 6	7. BRACKET, Rr Stab Shaft Link	7.242		68. BOLT, Hex (7/16"-20 x 1 1/8")	8.900
F 6	8. PLATE, Rr Stab Shaft Link	7.245	N 8	69. BRACKET, Brake Flange Rr	5.001
N 10	9. PLUG, W/Instruction Tag (1 7/64" OL)	5.400	N 8	70. PLATE, Parking Brake	5.001
N 11	10. CARRIER, Diff W/Cap	5.505		71. NUT, Hex (3/8"-24)	8.915
	11. WASHER, Lock	8.931		72. WASHER (3/8")	8.931
	12. NUT, Hex	8.900	N 7	73. HOUSING ASM, Brake Caliper	4.666
N 11	13. SHAFT, Axle	5.420	N 13	74. NUT, Whl (7/16"-20)	5.813
	14. BOLT, Hex (7/16"-20 x 1 1/8")	8.900	N 13	75. WHEEL ASM	5.803
N 10	15. RETAINER, Prop & Axle Shaft U-Joint (5.428)	5.380	N 13	76. DISC, Rr Whl Brake	5.809
N 12	16. REPAIR KIT, U-Joint	5.548	N 13	77. SPINDLE, Rr Whl	5.806
	17. PIN, Rr Whl Spindle	8.938	N 13	78. SEAL, Rr Whl Otr Brg	5.822
N 14	18. NUT, Hex Slot (3/4"-20)	5.829	N 14	79. BEARING ASM, Rr Whl Otr (6.311)	5.855
N 14	19. WASHER (7/32")	5.830	N 13	80. SPACER, Bearing	5.816
N 13	20. YOKE, Rr Whl Spindle	5.806	N 9	81. SOCKET, Adj Screw	5.111
N 11	21. DEFLECTOR, Rr Whl Spindle	5.425	N 9	82. SCREW, W/Nut, Parking Brake Adj	5.110
N 13	22. SHIELD, Rr Whl Inr Bearing	5.815	N 9	83. SPRING, Parking Brake	5.026
N 13	23. SEAL, Rr Inr Bearing	5.822	N 9	84. SHOE KIT, Parking Brake	5.017
N 14	24. BEARING, Rr Whl Inr	5.855	N 9	85. SPRING, Parking Brake	5.026
N 14	25. SHIM, Rr Wheel	5.855	N 10	86. CAM, Spindle Support Strut	5.417
	26. NUT, Hex (3/8"-16)	8.917	N 10	87. CAP, Rr Whl Strut Rod Bushing	5.417
F 8	27. BUMPER, Rr Spring	7.535	N 10	88. ROD, Rr Whl Strut(1)	5.415
F 8	28. BOLT, Rr Spring	7.529	N 10	89. CAM, Rr Whl Strut	5.417
N 10	29. ARM, Torque Control	5.382		90. WASHER, Lock (1/2")	8.931
F 8	30. RETAINER, Spring Otr	7.545		91. NUT, Hex (1/2"-20)	8.921
F 8	31. CUSHION, Rr Spring	7.545		92. BOLT, Hex (M10 x 1.5 x 70)	8.900
F 8	32. RETAINER, Spring Inr	7.545	N 10	93. BRACKET, Rr Whl Sturt	5.380
	33. PIN, Cotter	8.938		94. WASHER, Lock	8.931
	34. NUT, Hex Slot (5/8"-18)	8.917		95. NUT, Hex (M10 x 1.5 x 70)	8.915
N 10	35. SUPPORT, Control Arm to Spindle	5.380	N 14	96. INSULATOR, Diff Carrier Mt Lwr	9.023
	36. PIN, Cotter	8.938	N 14	97. INSULATOR, Diff Carrier Mt Up	9.023
G 8	37. NUT, Diff Carrier Mount (Hex Slot: 7/16"-20)	8.000		98. WASHER (11/32 x 1 1/8 x 1/8)	8.929
N 10	38. WASHER, Torque Control Arm	5.383	N 10	99. BOLT, Hex (7/16"-14 x 3 1/8")	8.900
	39. PIN, Cotter	8.938	N 10	100. NUT, Shock Abs Lwr (1/2"-20)	5.383
N 10	40. SHIM, Rr Axle Torque Arm	5.380	F 7	101. RETAINER, Lwr Grommet Otr	7.389
N 10	41. PLATE, Rr Susp Torque	5.381	F 7	102. GROMMET, Shock Abs Lwr	7.388
N 10	42. RETAINER, Torque Arm Bushing	5.381	F 6	103. ABSORBER, Rr Shock	7.345
N 10	43. BUSHING, Up	5.381		104. WASHER, Lock	8.931
N 10	44. BOLT, Torque Control Arm	5.383	F 7	105. BOLT, Shock Abs Up	7.374
N 8	45. BOLT, Hex (3/8"-24 x 2 7/8")	5.002		106. NUT (7/16"-20)	8.916
N 11	46. FLANGE, Rr Whl U-Joint	5.425		107. PIN, Cotter	8.938
N 11	47. SEAL, Yoke Bearing (Also Part of #16)	5.430		108. NUT, Hex Slot (9/16"-18)	8.917
N 13	48. LOCK RING, U-Joint (Also Part of #16)	5.588	N 13	109. LOCK RING, U-Joint (Also Part of #16)	5.586
N 11	49. BEARING, U-Joint (Also Part of #16)	5.428	N 12	110. BEARING, U-Joint (Part of #16)	5.548
	50. BOLT, Hex	8.900	N 12	111. SEAL, U-Joint (Also Part of #16)	5.560
	51. WASHER	8.929	N 12	112. SHAFT, Propeller	5.544
	52. PLATE, Body Mtg Cushion	N.S.	N 12	113. SPACER, Trunnion Bearing	5.566
	53. WASHER, Lock (7/16")	8.931	N 12	114. YOKE, U-Joint Sleeve Frt	5.555
	54. NUT, Hex (7/16"-14)	8.915	N 10	115. SHAFT, Rr Whl Spindle Rod	5.381
F 8	55. SPRING, Rear	7.503		116. WASHER, Lock	8.931
F 8	56. PLATE, Rr Spring	7.518		117. BOLT (5/16"-18 x 3/4")	8.900
	57. WASHER, Lock (7/16")	8.931		118. NUT, Hex (3/8"-16)	8.915
	58. BOLT, Hex (M12 x 1.75 x 90)(10.9 PC)	8.900	F 5	119. LINK, Rr Stab Shaft	7.240
	59. BOLT, Hex (M12 x 1.75 x 30)	8.900	F 8	120. BUSHING, Rr Stab Shaft Link	7.243
N 9	60. CLIP, Parking Lever	5.056	F 8	121. SPACER, Rr Spr	7.518
N 9	61. WASHER, Pivot pin	5.158	F 8	122. INSULATOR, Rr Spr	7.545
			F 8	123. SPACER, Rr Spr (1/2" ID 11/16" OD 3/16" Thk)	7.518
			F 8	124. SPACER, Rr Spr, Plate to Diff	7.518



**1958-62 'Y' FRONT BUMPER**

1. BRACE .....	N.S.
2. BOLT .....	N.S.
3. WASHER, Lock .....	N.S.
4. NUT .....	N.S.
5. BRACE .....	N.S.
6. PANEL .....	N.S.
7. BOLT (7/16"-14 x 1 1/4") .....	N.S.
8. SUPPORT .....	N.S.
9. WASHER, Lock .....	N.S.
10. BOLT .....	N.S.
11. WASHER .....	N.S.
12. SHIM .....	N.S.
13. SPACER, Cut From 3830199 TUBING .....	N.S.
14. CUSHION .....	N.S.
15. RETAINER .....	N.S.
16. BRACE .....	N.S.
17. BOLT .....	N.S.
18. BAR .....	N.S.
19. SUPPORT .....	N.S.
20. BAR .....	N.S.
21. WASHER .....	N.S.
22. SPACER .....	N.S.
23. BAR .....	N.S.
24. BOLT .....	N.S.
25. BOLT .....	N.S.
26. SPACER .....	N.S.
27. SUPPORT .....	N.S.
28. NUT .....	N.S.
29. WASHER .....	N.S.
30. BOLT .....	N.S.
31. SEAL .....	N.S.

V7-17



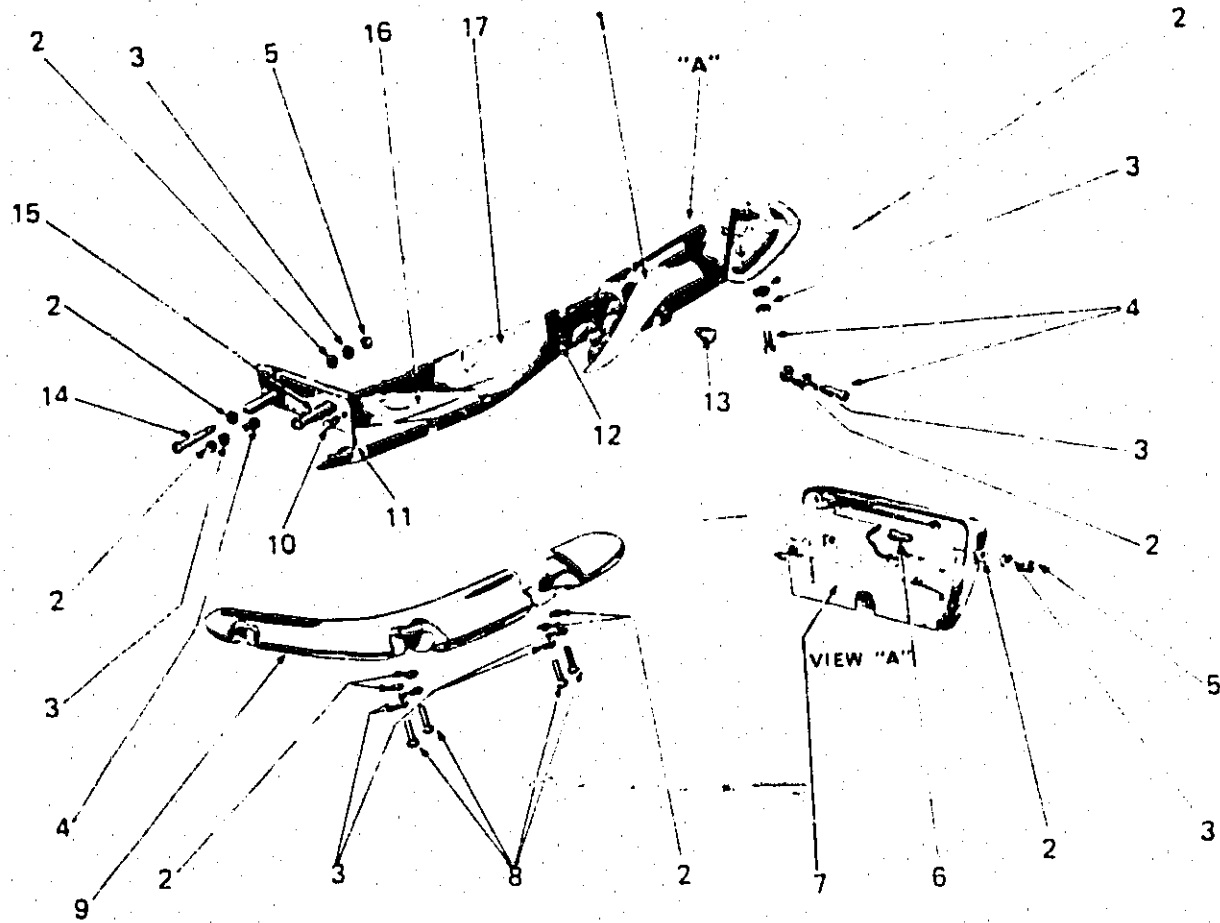
V7-17

**1958-60 'Y' REAR BUMPER**

F 11	1. PLATE	7.836	14. BOLT (7/16"-14 x 7/8")	8.900
	2. BOLT (7/16"-14 x 3 1/4")	N.S.	15. NUT (7/16"-14)	N.S.
	3. WASHER (1/2")	8.929	F 12 16. SHIM	7.865
	4. RIVET (1/8" x 3/8")	N.S.	F 11 17. SEAL	7.833
F 11	5. PLATE	7.836	F 10 18. BAR	7.831
F 11	6. SUPPORT	7.836	19. BOLT (7/16"-14 x 1 1/4")	8.900
	7. BOLT (7/16"-14 x 2 1/2")	8.900	F 9 20. BRACE	7.829
	8. WASHER (7/16")	8.931	F 10 21. BAR	7.831
	9. WASHER (7/16")	8.929	22. NUT (7/16"-14)	N.S.
	10. SPACER	N.S.	23. BOLT (7/16"-14 x 1 7/8")	N.S.
F 12	11. CUSHION	7.865	F 11 24. BRACE, Inner	7.836
F 12	12. RETAINER	7.865	F 11 25. BRACE, Outer	7.836
F 11	13. BRACE, Outer Right	7.836	26. SCREW (#14-10 x 3/4") FI Hd CI Rec Tap (Type A)	N.S.



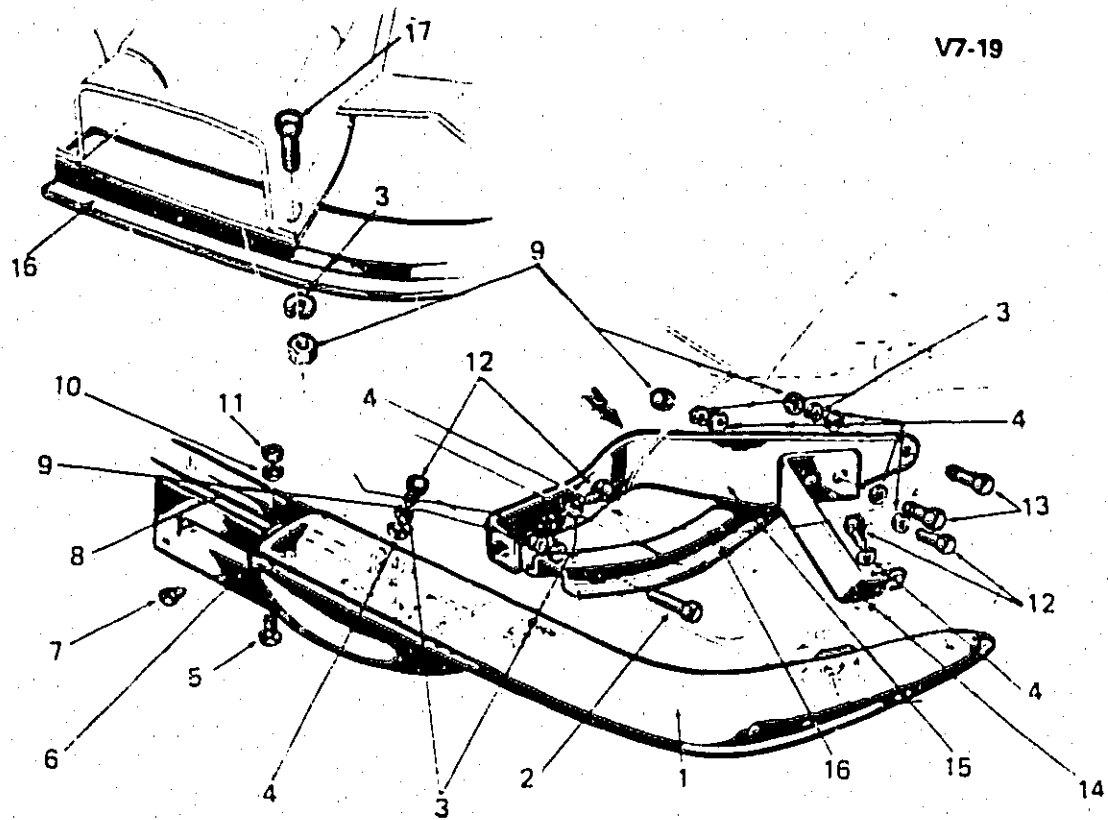
V7-18



V7-18

**1961-62 'Y' REAR BUMPER**

F 10	1. BAR .....	7.831
	2. WASHER (7/16" Small) .....	8.929
	3. WASHER, Lock (7/16") .....	8.931
	4. BOLT (7/16"-14 x 1") .....	8.900
	5. NUT (7/16"-14) .....	8.915
F 13	6. BOLT .....	7.874
F 9	7. FRAME .....	7.800
	8. BOLT (7/16"-14 x 1 1/2") .....	8.900
F 10	9. BAR .....	7.831
	10. RIVET (3/8" x 1 1/4") .....	8.967
F 11	11. BRACE .....	7.836
F 11	12. BRACE .....	7.836
F 9	13. BUMPER .....	7.800
	14. BOLT (7/16"-14 x 5/8") .....	8.900
	15. SPACER, Part of 7.003 FRAME ASM .....	N.S.
F 11	16. REINFORCEMENT .....	7.836
F 11	17. BRACE .....	7.836

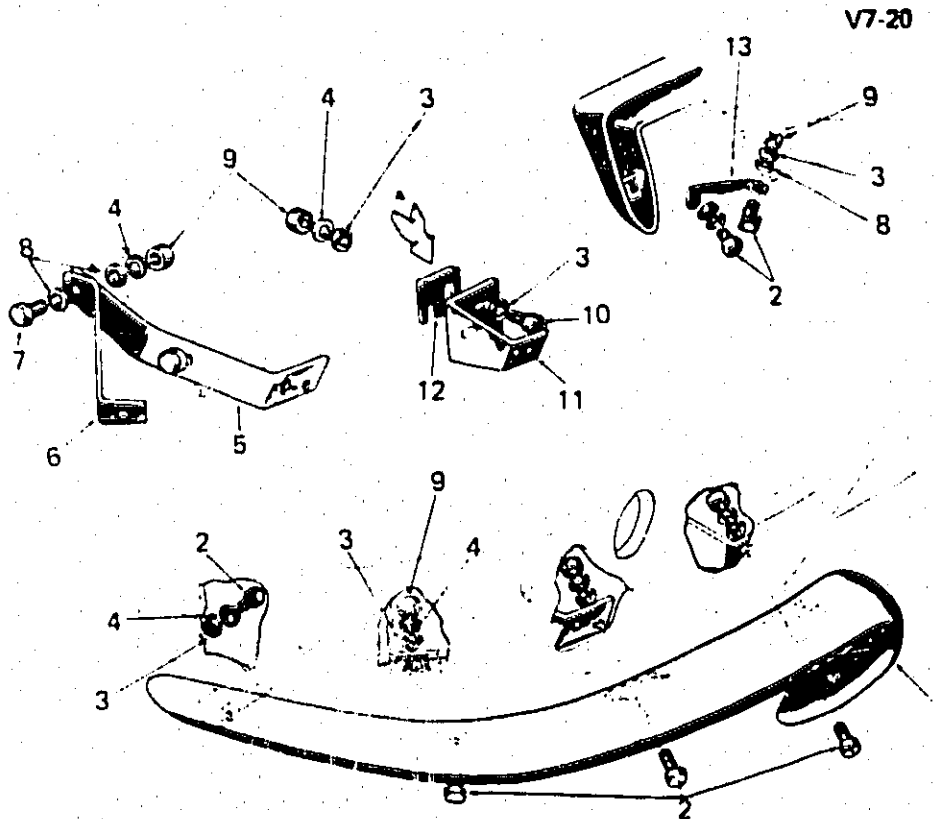


V7-19

V7-19

**1963-67 'Y' FRONT BUMPER**

F 10	1.	7.831	BAR ASM .....	3797337
F 10		7.831	BAR ASM .....	3797338
	2.	8.900	BOLT (7/16"-14 x 2 1/4") .....	
	3.	8.931	WASHER, Lock (7/16") .....	
	4.	8.929	WASHER (7/16") .....	
	5.	8.900	BOLT (1/4"-20 x 5/8") .....	
F 9	6.	7.800	BRACKET .....	3878898
F 9	7.	7.800	BUMPER .....	3762180
F 10	8.	7.831	BAR ASM .....	3797439
	9.	8.915	NUT (7/16"-14) .....	
	10.	8.931	WASHER, Lock (1/4") .....	
	11.	8.916	NUT (1/4"-20) .....	
	12.	8.900	BOLT (7/16"-14 x 1 1/4") .....	
	13.	8.900	BOLT (7/16"-14 x 1 3/4") .....	
F 11	14.	7.836	BRACE .....	3848217
F 11		7.836	BRACE .....	3848218
F 11	15.	7.838	BRACE (1965-67) .....	3866405
F 11		7.836	BRACE (1965-67) .....	3866406
F 11	16.	7.836	BRACE .....	3848219
F 11		7.836	BRACE .....	3848220
	17.	8.900	BOLT (7/16"-14 x 1") .....	



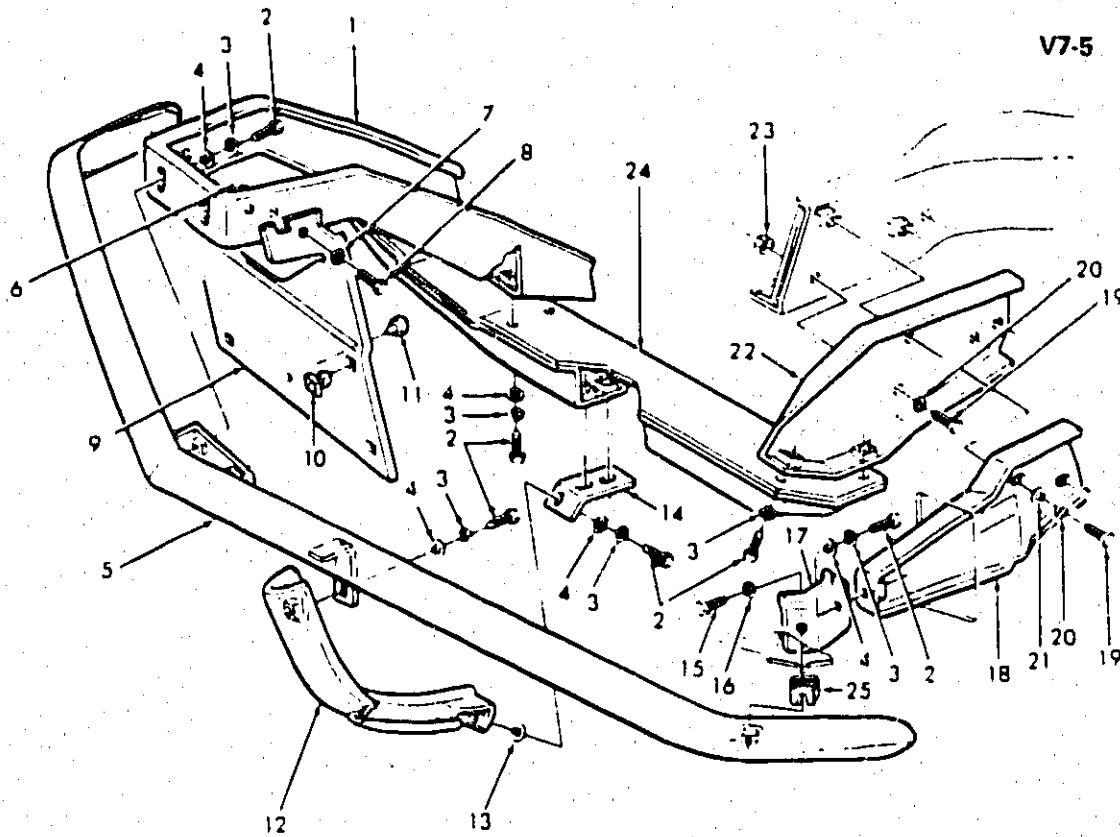
V7-20

V7-20

**1963-67 'Y' REAR BUMPER**

F 10	1.	7.831	BAR .....	3797231
F 10		7.831	BAR .....	3797232
	2.	8.900	BOLT (7/16"-14 x 1 1/4") .....	
	3.	8.929	WASHER (7/16") .....	
	4.	8.931	WASHER, Lock (7/16") .....	
F 11	5.	7.836	BRACE .....	3848223
		N.S.	BRACE .....	
F 11	6.	7.836	BRACE .....	3848221
F 11		7.836	BRACE .....	3848222
	7.	8.900	BOLT (7/16"-14 x 1 3/4") .....	
	8.	8.929	WASHER .....	
		8.929	WASHER .....	
	9.	8.915	NUT (7/16"-14) .....	
F 11	10.	8.900	BOLT (7/16"-14 x 1 3/4") .....	3848225
F 11	11.	7.836	BRACE .....	3848226
F 11		7.836	BRACE .....	3797482
F 12	12.	7.865	SHIM .....	3797421
F 11	13.	7.836	BRACE .....	

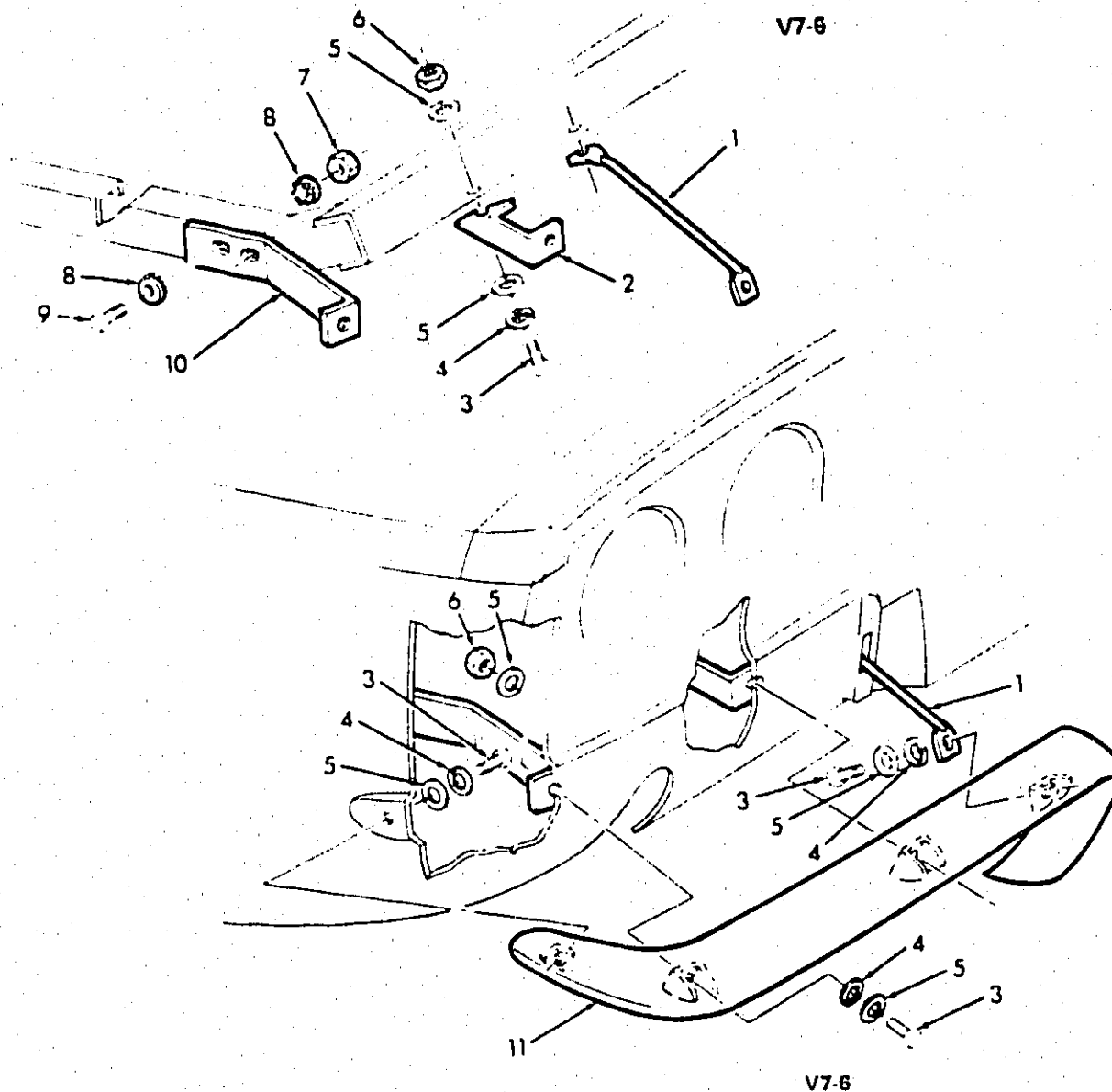
V7-5



V7-5

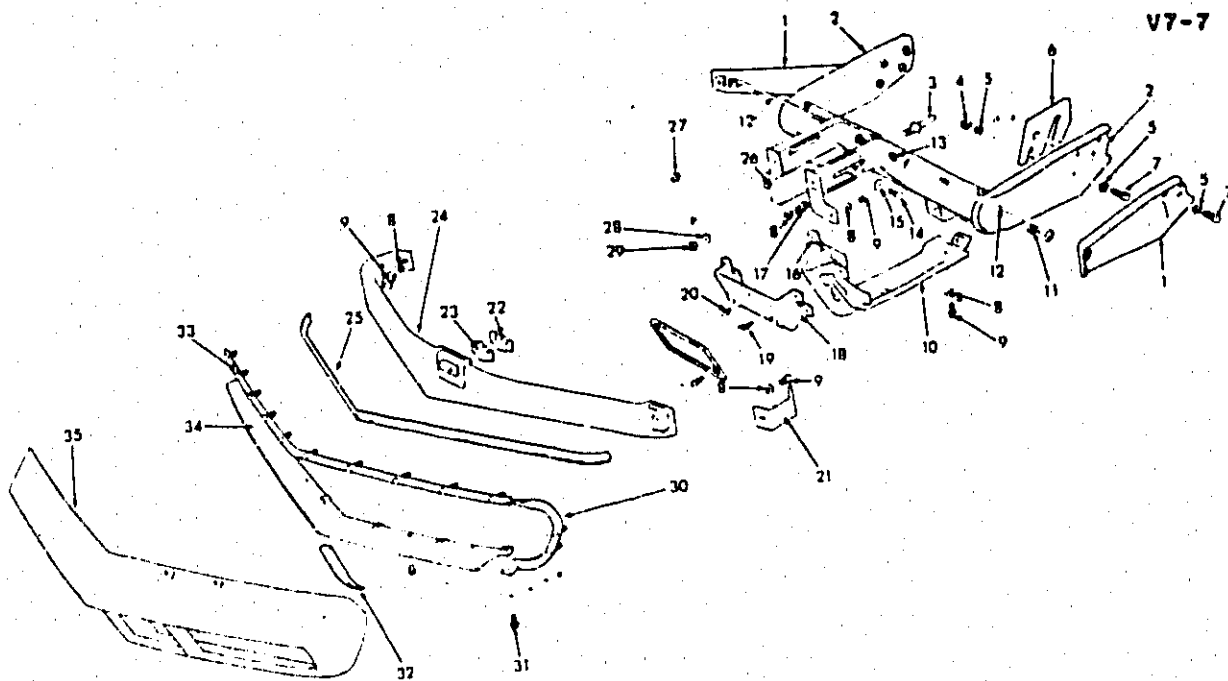
**1968-72 'Y' FRONT BUMPER**

F 11	1.	7.836	BRACE ASM, Center Front . . .	3980824	F 11	7.836	EXTENSION ASM, Frt Bumper to Frame-RH (1968-69) . . . . .	3922078	
	2.	8.900	BOLT (7/16" x 14 x 1 1/4") . . .						
	3.	8.931	WASHER, Lock (7/16") . . . . .						
	4.	8.929	WASHER (7/16") . . . . .		F 11	7.836	EXTENSION, Outer Brace (1970) . . . . .	3984159	
F 10	5.	7.831	BAR, Bumper Face Front . . . . .	3974008					
	6.	8.915	NUT (1/4"-20) . . . . .		F 11	18.	7.836	BRACE, Frame to Bumper-LH (1968) . . . . .	3914257
	7.	8.931	WASHER, Lock (5/8") . . . . .		F 11	7.836	BRACE, Frame to Bumper-RH (1968) . . . . .	3914258	
	8.	8.900	BOLT (1/4"-20 x 5/8") . . . . .		F 11	7.836	BRACE, Frt Bumper Outer-LH (1969) . . . . .	3958795	
F 9	9.	7.800	BRACKET, Lic Plate Front . . . . .	3919711	F 11	7.836	BRACE, Frt Bumper Outer-RH (1969) . . . . .	3958796	
F 9	10.	7.800	NUT, Nylon Anc (1/4"-14) . . . . .	559547	F 11	7.836	BRACE, Frt Outer-LH (1970-72) . . . . .	3984157	
F 9	11.	7.800	BUMPER . . . . .	3981333	F 11	7.836	BRACE, Frt Outer-RH (1970-72) . . . . .	3984158	
F 9	12.	7.828	GUARD, Bumper Frt-RH (1968-69) . . . . .	377314					
F 9		7.828	GUARD, Bumper Frt-LH (1968-69) . . . . .	377313					
F 9		7.828	GUARD, Bumper Frt-LH (1970-72) . . . . .	3963127					
F 9		7.828	GUARD, Bumper Frt-RH (1970-72) . . . . .	3963128		19.	8.900	BOLT (1/2"-13 x 1 1/2") . . . . .	
	13.	8.929	WASHER (29/64" x 49/64" x 9/64") . . . . .			20.	8.931	WASHER, Lock (1/2") . . . . .	
F 11	14.	7.836	EXTENSION, Frt Cross Member Brkt-LH . . . . .	3932846		21.	8.929	WASHER (1/2") . . . . .	
F 11		7.836	EXTENSION, Frt Cross Member Brkt-RH . . . . .	3932846	F 11	22.	7.836	EXTENSION ASM, Frt Bumper to Frame-LH . . . . .	3958797
	15.	8.900	BOLT (3/8"-16 x 2) . . . . .		F 11		7.836	EXTENSION ASM, Frt Bumper to Frame-RH . . . . .	3958798
	16.	8.931	WASHER, Lock (3/8") . . . . .			23.	8.915	NUT (1/2"-13) . . . . .	
	17.	N.S.	EXTENSION ASM, Frt Bumper to Frame-LH (1968-69) . . . . .		F 10	24.	7.831	MEMBER ASM, Frt Bumper Cross . . . . .	3954506
					F 12	25.	7.865	SHIM, Bumper Brace . . . . .	



**1968-73 'Y' REAR BUMPER**

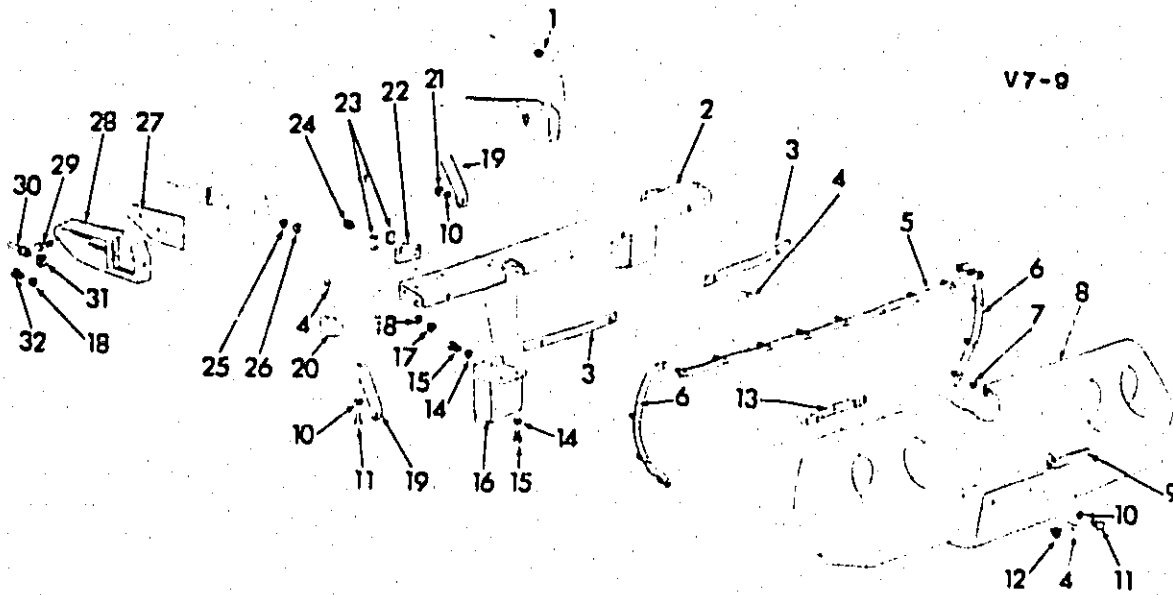
F 11	1.	7.836	ROD, Rr Bumper (1968-73)	331864
F 11	2.	7.836	BRACE, Rr Inner-LH	3937057
F 11		7.836	BRACE, Rr Inner-RH	3937058
	3.	8.900	BOLT (7/16"-14 x 1 1/4")	
	4.	8.931	WASHER, Lock (7/16")	
	5.	8.929	WASHER (7/16")	
	6.	8.915	NUT (7/16"-14)	
	7.	8.915	NUT (1/2"-13)	
F 12	8.	7.865	WASHER (1/2")	1362249
	9.	8.900	BOLT (1/2"-13 x 1 1/2")	
F 11	10.	7.836	BRACE, Rr Outer-LH	3932943
F 11		7.836	BRACE, Rr Outer-RH	3932944
F 10	11.	7.831	BUMPER ASM, Rear-LH	3922069
F 10		7.831	BUMPER ASM, Rear-RH	3922070



V7-7

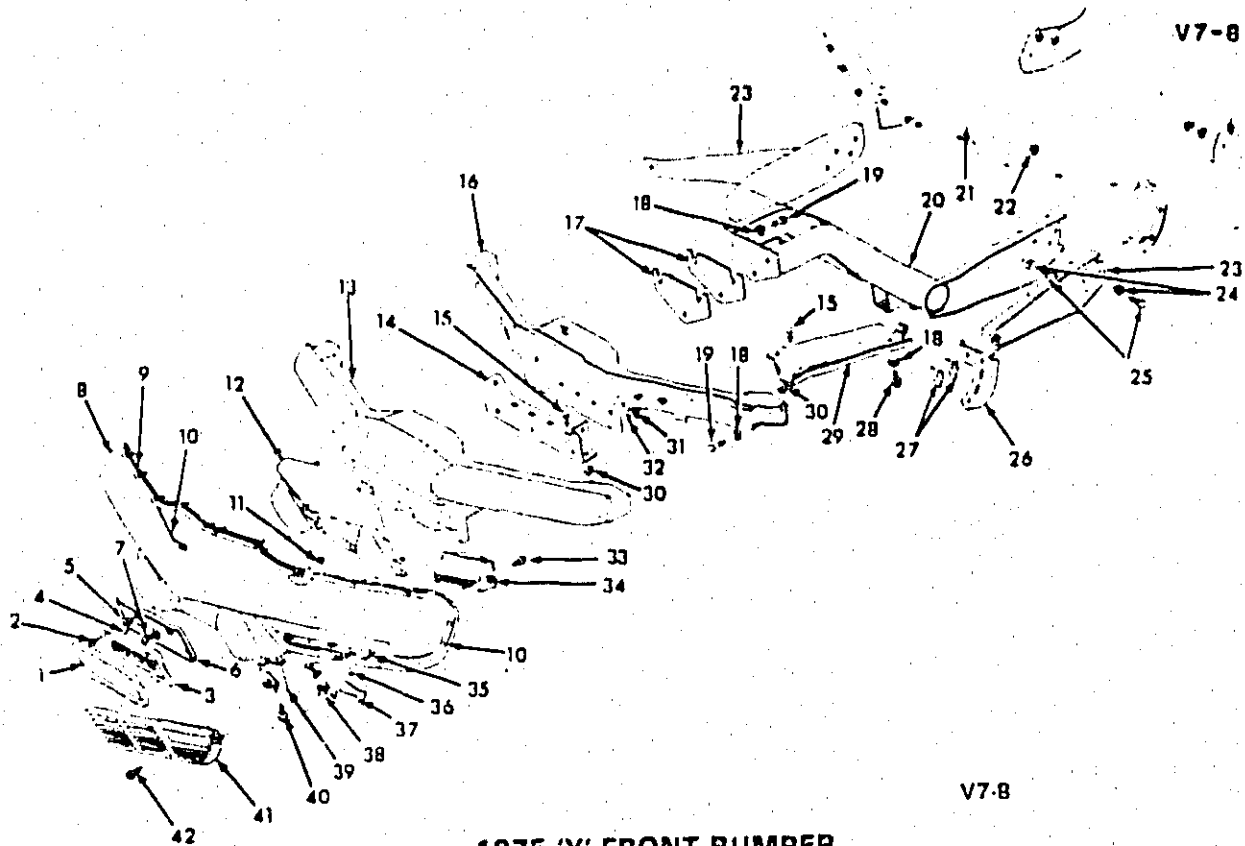
**1973-74 'Y' FRONT BUMPER**

F 11	1.	7.836	BRACE ASM Frt Bpr Otr-LH	327663					
F 11		7.836	BRACE ASM, Frt Bpr Otr-RH	327664	F 9	20.	7.800	BUMPER, Frt, Rubber	3981333
F 11	2.	7.836	EXTENSION ASM, Energy		F 11	21.	7.836	EXTENSION, Frt Bpr Otr Br	327661
			Abs	342234		22.	N.S.	SHIM, Energy Abs Frt Bar	
F 12	3.	7.840	BOLT KIT, Energy Abs	339118				(Thin)	
	4.	8.915	NUT (1/2"-13)		F 12	23.	7.865	SHIM, Thick	327625
F 12	5.	7.865	WASHER, Frt and Rear (1/2"	1362249	F 10	24.	7.831	BAR, Frt	331872
			ID x 1 1/4" OD x 1/8")	331863	F 10	25.	7.831	FILLER, Frt Bpr Face Bar	
F 12	6.	7.865	SHIM, Energy Abs Frt Bar		F 13	26.	7.869	BRACKET, Frt Bpr Inter to	327644
	7.	8.900	BOLT					Face Bar	
	8.	8.931	WASHER (15/32" x 1 1/4")			27.	8.915	NUT	
	9.	8.900	BOLT (7/16"-14 x 1")			28.	8.929	WASHER	
F 9	10.	7.828	REINFORCEMENT ASM, Frt	331829		29.	8.915	NUT	
			Bpr Guard-LH		F 10	30.	7.832	RETAINER, Frt Bpr Face Bar	331843
F 9		7.828	REINFORCEMENT ASM, Frt	331830				Otr Cvr-LH	
			Bpr Guard-RH		F 10		7.832	RETAINER, Frt Bpr Face Bar	331844
	11.	8.900	BOLT (5/16"-18 x 7/8")					Otr Cvr-RH	
F 12	12.	7.865	ROD, Energy Abs Frt Bar Ext	342235		31.	8.900	BOLT	
			Br		F 9	32.	7.828	FILLER, Frt Bpr Guard Reinf	334751
	13.	8.916	NUT (3/8"-16)		F 9		7.828	FILLER, Frt Bpr Guard Reinf	334752
	14.	8.977	BOLT (5/16"-18 x 7/8")		G 13	33.	8.155	RETAINER, Frt Bpr Face Bar	331839
	15.	8.929	WASHER (3/8")					Cvr Upper	
	16.	8.921	"U" NUT (#10-16)		G 13	34.	8.155	RETAINER, Frt Bpr Face Bar	331840
	17.	8.900	BOLT (7/16"-14 x 1 1/4")	327643				Cvr Lower	6263597
F 9	18.	7.800	BRACKET, Frt Lic Plate		F 10	35.	7.832	COVER, Frt Bpr Face Bar	



**1974 'Y' REAR BUMPER**

	1.	8.915	NUT, (#10-24) .....		F 10	18.	7.831	REINFORCEMENT, Impact Bar .....	339125
F 12	2.	7.840	BAR ASM, (Incl 3-4-20) .....			17.	8.915	NUT (1/2"-13) .....	
	3.	N.S.	FILLER, Impact Bar (Part of #2) .....			18.	8.929	WASHER (1/2") .....	
	4.	8.967	RIVET .....		F 11	19.	7.833	BRACE, Impact Bar .....	342233
F 10	5.	7.832	RETAINER, Bar Cvr Ctr-RH ..	448188		20.	N.S.	CAP, Impact Bar End (Part of #2) .....	
F 10		7.832	RETAINER, Bar Cvr Ctr-LH ..	468185		21.	8.915	NUT .....	
F 10	6.	7.832	RETAINER ASM, Bar Cvr-LH ..	339123		22.	N.S.	BUMPER, Impact Bar .....	
F 10		7.832	RETAINER, Bar Cvr-RH .....	339124		23.	8.929	WASHER (5/16") .....	
	7.	8.929	WASHER .....			24.	8.977	SCREW (1/4"-20 x 7/8") ..	
F 10	3.	7.832	COVER ASM, Impact .....	339195		25.	8.900	BOLT .....	
F 10	9.	7.831	FILLER, Bar Inner-LH .....	342263		26.	8.929	WASHER .....	
		N.S.	FILLER, Bar Inner-RH .....			27.	N.S.	INSULATOR, Impact Bar Brkt	
	10.	8.929	WASHER (1/4") .....			28.	N.S.	BRACKET, Impact Bar-LH ..	
	11.	8.900	BOLT .....				N.S.	BRACKET, Impact Bar-RH ..	
F 9	12.	7.800	NUT, Nylon Anc (1/4"-14) ..	559547		29.	N.S.	BOLT, Impact Bar Brkt .....	
	13.	N.S.	BRACKET, Part of #8 .....		F 12	30.	7.840	BOLT KIT, Energy Abs Frt and Rr .....	339118
	14.	8.929	WASHER (11/32" x 11/16" x 5/64") .....			31.	N.S.	SPACER, Impact Bracket .....	
	15.	8.900	BOLT (5/16"-18 x 1") .....			32.	8.900	BOLT (1/2"-13 x 1 1/2") .....	



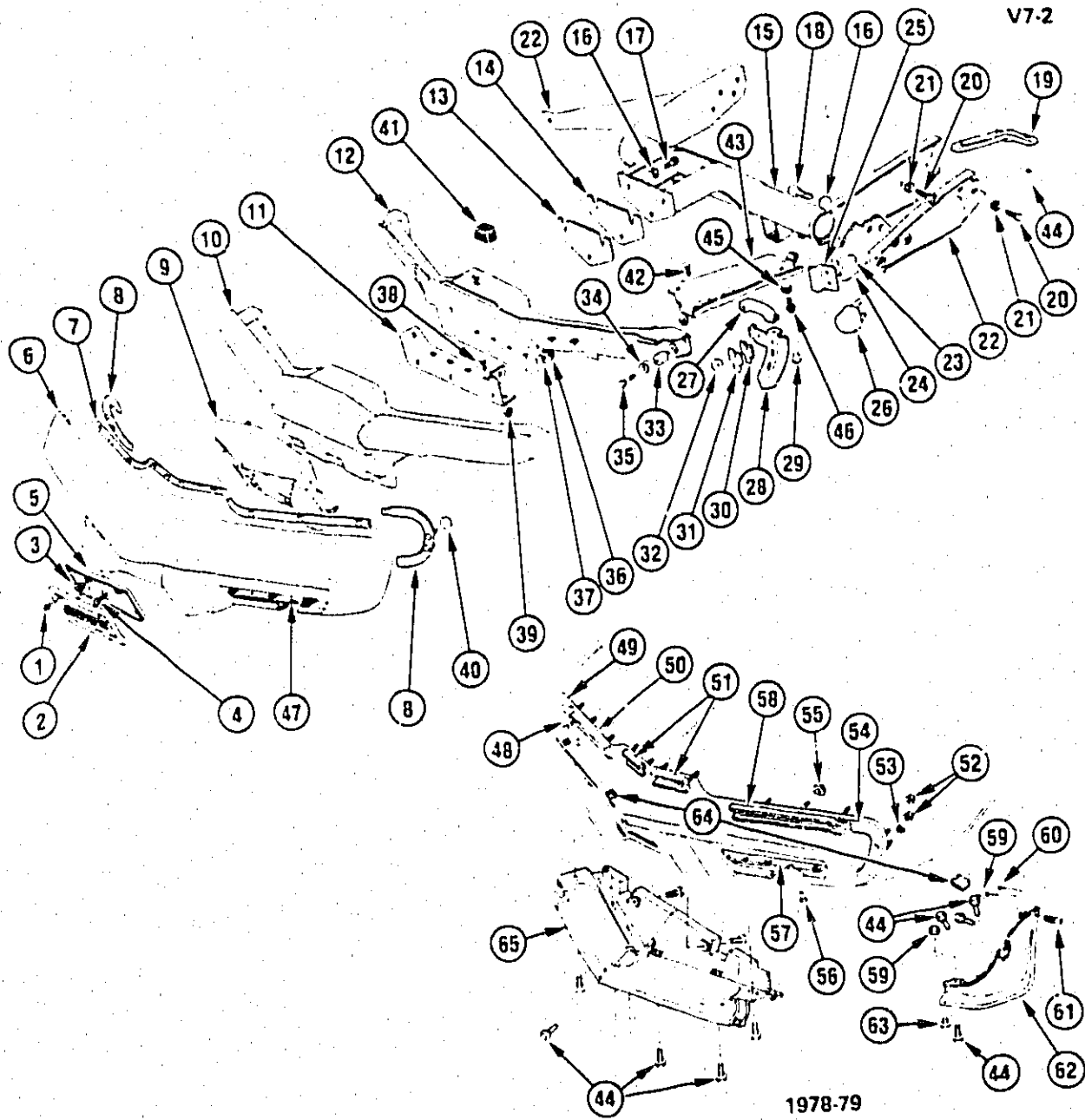
V7-8

1975 'Y' FRONT BUMPER

F 9	1.	7.800	FRAME, Lic Carrier	3797485				
	2.	8.977	SCREW					
F 9	3.	7.800	BRACKET	327643				
	4.	8.967	RIVET					
F 9	5.	7.800	NUT (3/8"-16 x 1")					
F 9	6.	7.800	BRACKET, Frt Lic Plate	347929				
F 9	7.	7.800	BUMPER, Frt (Rubber)	3981333				
F 10	8.	7.832	COVER, Frt Bmpr Face Bar	345495				
F 10	9.	7.832	RETAINER, Cvr Upr Ctr(*1)	461136				
F 10		7.832	RETAINER, Cvr Upr-LH(*1)	461053				
F 10		7.832	RETAINER, Cvr Upr-RH(*1)	461054				
F 10	10.	7.832	RETAINER, Bar Otr Cover-LH	331843				
F 10		7.832	RETAINER, Bar Otr Cover-RH	331844				
	11.	8.921	NUT, Spring					
F 10	12.	7.831	REINFORCEMENT ASM, Frt Bpr Impact Bar	347930				
F 12	13.	7.840	CUSHION, Frt Bpr Energy Abs	362952				
F 11	14.	7.836	EXTENSION, Frt Energy Bar	347931				
	15.	8.900	BOLT (3/8"-16 x 1")					
F 10	16.	7.831	BAR ASM, Frt Energy Abs	362949				
F 12	17.	7.865	SHIM					
	18.	8.931	WASHER (15/32" x 1 1/4")					
	19.	8.900	BOLT, Hex (7/16"-14 x 1 1/4")					
F 11	20.	7.836	EXTENSION ASM, Frt Bpr	345471				
G 10	21.	8.130	PANEL ASM, Frt Fdr Upr	14042294				
	22.	8.915	NUT ASM					
F 11	23.	7.836	BRACE ASM, Frt Bpr Outer-LH	368331				
F 11		7.836	BRACE ASM, Frt Bpr Outer-RH	368332				
F 12	24.	7.865	WASHER (1/2" x 1 1/4" x 1/8")	1362249				
	25.	8.900	BOLT					
G 13	26.	8.155	REINFORCEMENT, Frt Fdr Lwr Frt Upr-LH					368639
G 13		8.155	REINFORCEMENT, Frt Fdr Lwr Frt Upr-RH					368640
F 12	27.	7.865	SHIM					
	28.	8.900	BOLT					
F 9	29.	7.829	REINFORCEMENT ASM, Energy Abs Frt Bar Guard-LH					347927
F 9		7.829	REINFORCEMENT ASM, Energy Abs Frt Bar Guard-RH					347928
	30.	8.917	NUT (3/8"-16)					
	31.	8.917	NUT, Hex Lk (3/8"-16)					
	32.	8.929	WASHER, Flat (13/32" ID 13/16" OD 1/16" Thk)					
	33.	8.977	SCREW, Hex (#10-24 x 5/8")					
M 26	34.	2.585	LAMP ASM, Park-LH					912309
M 26		2.585	LAMP ASM, Park-RH					912310
F 12	35.	7.840	RETAINER ASM, Frt Bpr Cvr Lwr					355325
	36.	8.967	RIVET					
M 15	37.	1.267	BRACKET, Rad Grl Otr-LH					345485
M 15		1.267	BRACKET, Rad Grl Otr-RH					345486
	38.	8.921	"U" NUT (#10-16)					
M 15	39.	1.267	BRACKET, Rad Grl Inr-LH					347917
M 15		1.267	BRACKET, Rad Grl Inr-RH					347918
	40.	8.900	SCREW, Hex (1/4"-20 x 13/16")					
M 15	41.	1.268	GRILLE, Radiator Otr-LH					345487
M 15		1.266	GRILLE, Radiator Otr-RH					345488
	42.	8.977	SCREW (#10-16 x 3/4")					

NOTE 1: Three piece Retainer replaces original one piece construction Retainer.

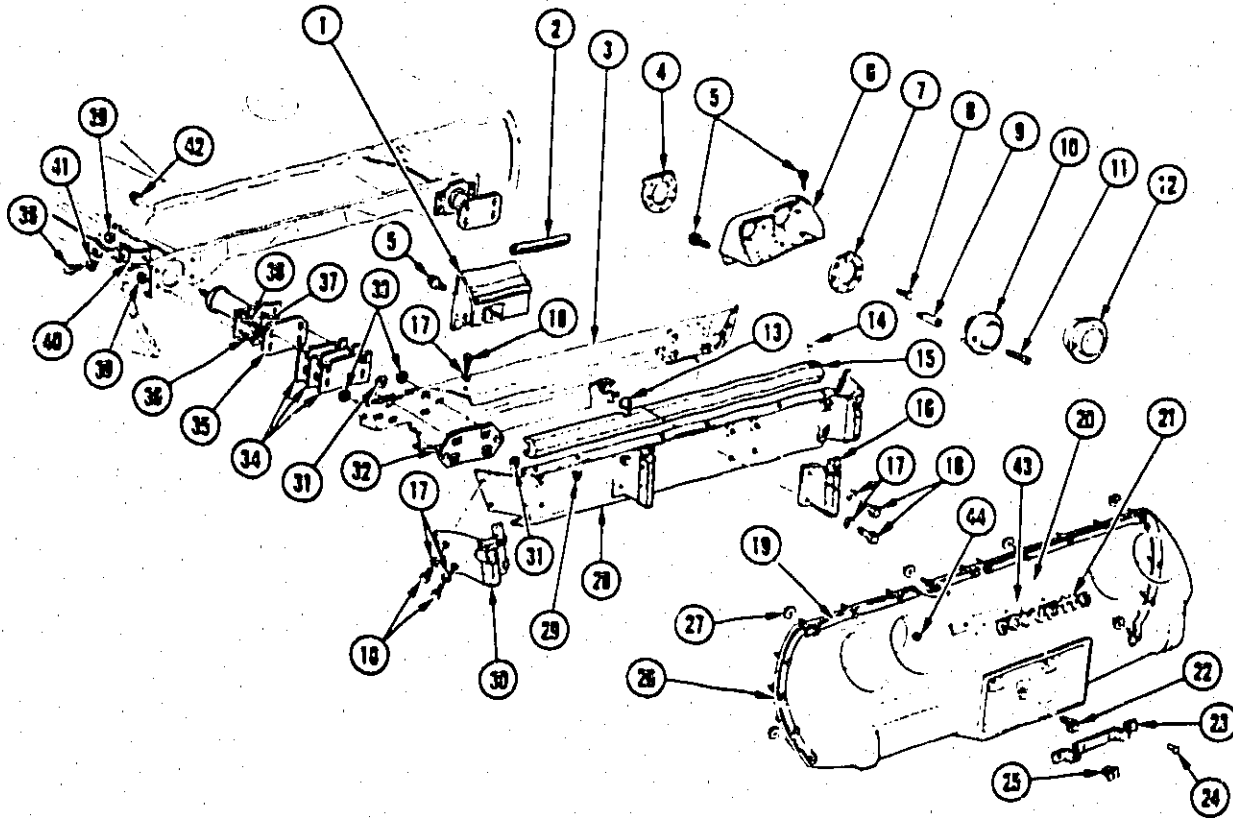




**1976-79 'Y' FRONT BUMPER**



V7-4

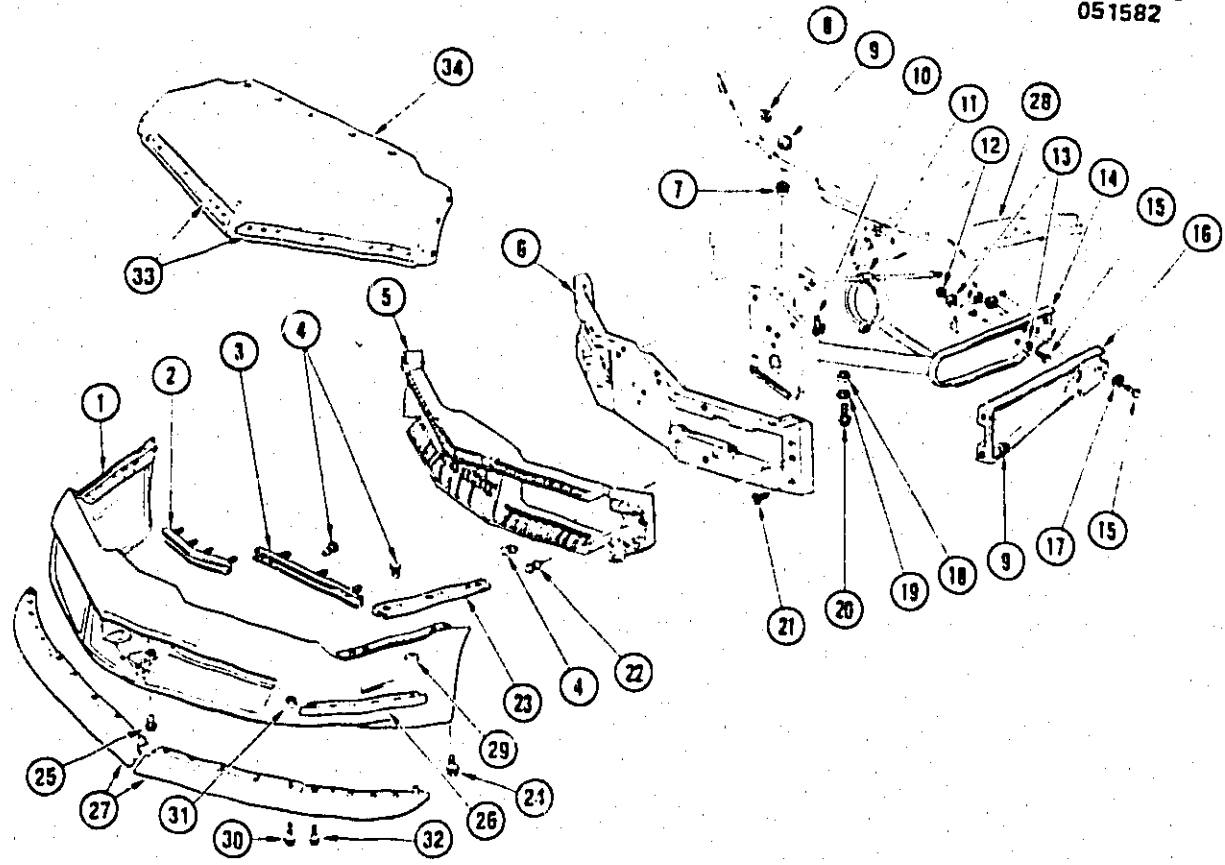


V7-4

**1975-79 'Y' REAR BUMPER**

## 1975-79 'Y' REAR BUMPER

F 12	1.	7.840	SUPPORT, W/Cushions, Cover (75-76)	462278
	2.	N.S.	CUSHION, Support	
F 10	3.	7.831	BAR KIT, Impact (1st Design)(75-76)	352703
F 10		7.831	BAR UNIT, Impact Outer (2nd Design)(76-79)	462277
M 26	4.	2.680	RETAINER, Tail & Stop Lamp Mtg Pnl	347922
	5.	8.977	SCREW (1/4"-20 x 7/8")	
	6.	2.680	PANEL, Lamp Mtg-RH	461036
		2.680	PANEL, Lamp Mtg-LH	461035
M 26	7.	2.682	REINFORCEMENT, Mtg Pnl	347921
	8.	8.977	SCREW & LOCKWASHER (1/4"-20 x 7/8")	
M 26	9.	2.680	NUT, Tail & Stop Mtg Anchor	347923
M 27	10.	2.697	LAMP ASM, Back Up	912040
	11.	8.977	SCREW (#8-18 x 2 1/4")	
M 26	12.	2.679	LAMP ASM, Tail & Stop	897193
F 11	13.	7.833	GROMMET, Rr Bpr	371429
	14.	N.S.	RIVET, Filler (Part of #28)	
	15.	N.S.	FILLER, Impact Bar (Part of #28)	
F 13	16.	7.869	BRACKET ASM, Bar Inner	345500
	17.	8.929	WASHER (5/16")	
	18.	8.977	SCREW (5/16"-8 x 13/16")	
F 10	19.	7.832	RETAINER, Bar Cover-LH (1975-79)	468185
F 10		7.832	RETAINER, Bar Cover-RH (1975-79)	468186
F 10	20.	7.832	COVER, Bpr	380000
N 21	21.	12.182	LETTER UN'T, Rr Body (75)	6260519
N 21		12.182	PLATE, Name, W/Depression (76)	374699
N 21		12.182	PLATE, Name W/O Depression	462226
M 12	22.	0.679	SCREW (1/4"-20 x 7/8")	376300
F 9	23.	7.800	BRACKET, Lic Plate Rr	339142
	24.	8.967	RIVET (1/8")	
F 9	25.	7.800	NUT, Lic Plate Mtg	339123
F 10	26.	7.832	RETAINER, Bar Cover-LH	339124
F 10		7.832	RETAINER, Bar Cover-RH	
	27.	8.921	NUT (#10-24) Flat Spring	
F 10	28.	7.831	BAR KIT, Impact (1 Pc Const)(75-76)	352703
F 10		7.831	BAR KIT, Impact Outer (Used W/Inner Bar 371433)(76-79)	462277
	29.	8.917	NUT (5/16"-18)	
F 13	30.	7.869	BRACKET ASM, Impact Bar Outer-LH	347901
	31.	8.917	NUT (5/16"-18)	
F 13	32.	7.874	RETAINER ASM, Impact Bar	347916
N 17	33.	9.787	NUT (5/32")	
F 12	34.	7.865	SHIM, Rr Bpr Bar	473279
F 12	35.	7.840	ABSORBER ASM, Rr (75-78)	22017310
F 12		7.840	ABSORBER ASM, Rr (79)	22017199
	36.	8.900	BOLT (7/16-14 x 1 1/4")	
	37.	8.929	WASHER (7/16")	
	38.	8.900	BOLT (7/16"-14 x 2")	
	39.	8.915	NUT (7/16"-14)	
F 12	40.	7.840	BRACKET, Rr Bpr Abs	492976
G 13	41.	8.154	WASHER (7/16")	
	42.	8.915	NUT (#10-24)	
	43.	N.S.	RETAINER, Part of #21	
	44.	N.S.	NUT, Part of #21	

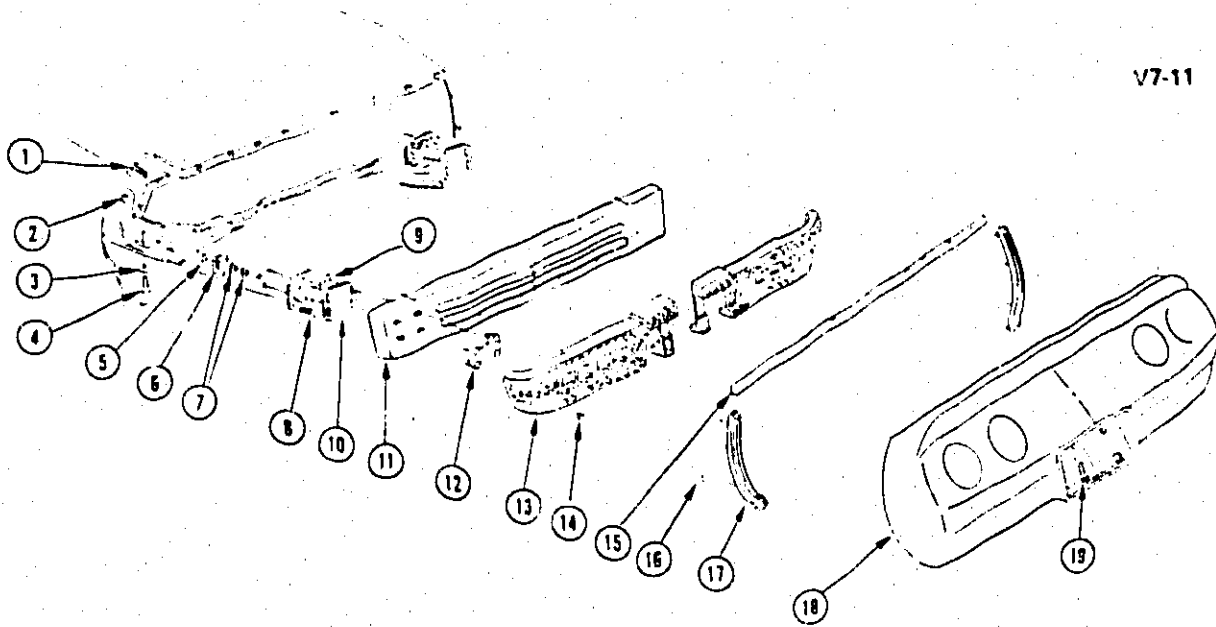


1Y07-002

1980-82 'Y' FRONT BUMPER

F 10	1.	7.831	FASCIA, Frt Bpr (Paint to Match)	14041156	F 12	18.	7.840	CUSHION, E/Abs Bar Ext (9.023)	3842914
F 10	2.	7.832	RETAINER, E/Abs Bar Cvr Uptr Otr	14011845	M 16	19.	1.270	WASHER, Sp Fl (15/32" ID, 1 49/64" OD, 3/16" Thk)	3833649
F 10	3.	7.832	RETAINER, E/Abs Bar Cvr Uptr Otr-LH	14011843		20.	8.900	BOLT, Hex (M10 x 1.5 x 55)	
F 10		7.832	RETAINER, E/Abs Bar Cvr Uptr Otr-RH	14011844		21.	8.900	BOLT, Hex (M10 x 1.5 x 30)	
	4.	N.S.	RIVET			22.	N.S.	RIVET	
F 12	5.	7.840	CUSHION, E/Abs Bar	14008996	F 10	23.	7.832	RETAINER, E/Abs Bar Cvr Lwr-LH	14011841
F 12	6.	7.840	BAR, E/Abs Frt	14007091	F 10		7.832	RETAINER, E/Abs Bar Cvr Lwr-RH	14011842
F 12	7.	7.840	CUSHION, E/Abs Bar Ext (9.023)	3842913		24.	8.977	SCREW, Hex Wa Hd Tap (M4.2 x 1.41 x 25)	
	8.	8.915	NUT, Hex (#10-24 x 1/8" Thk)			25.	8.977	SCREW, Hex W/Fl Wa Tap (M6.3 x 1.81 x 16)	
	9.	8.917	NUT, Hex Flg (M10 x 1.5 x 9.8 Thk)		F 10	26.	7.831	REINFORCEMENT, Facia-LH	14018859
	10.	8.977	SCREW, Hex Wa Hd Tap (1/4"-14 x 3/4")		F 10		7.831	REINFORCEMENT, Facia-RH	14018860
M 17	11.	1.271	BRACE Rad Support	14016173	M 19	27.	1.287	EXTENSION, Rad Lwr Pnl-LH	14016063
	12.	8.915	NUT, Hex (1/2"-13 x 7/16" Thk)		M 19		1.287	EXTENSION, Rad Lwr Pnl-RH	14016064
F 12	13.	7.865	WASHER, Bar Ext to Frm	1362249	G 11	28.	8.141	RETAINER, F/fdr Lwr-LH	14015229
F 11	14.	7.836	EXTENTION, E/Abs Bar to Frm	14028559	G 11		8.141	RETAINER, F/fdr Lwr-RH	14015230
	15.	8.900	BOLT, Hex (1/2"-13 x 1 1/4")			29.	8.921	NUT, Push-On (1/4")	
F 11	16.	7.836	BRACE, E/Abs Bar Otr-LH	14007089		30.	8.977	SCREW, Hex Wa Hd Tap (1/4"-20 x 1")	
F 11		7.836	BRACE, E/Abs Bar Otr-RH	14007090		31.	8.917	NUT, Hex W/Con Wa (1/4"-20)	
F 12	17.	7.840	WASHER, E/Abs Bar Br (5.418)	3916493		32.	8.977	SCREW, Hex Wa Hd Tap (M4.2 x 1.41 x 25)	
					F 11	33.	7.833	RETAINER, Air Ctr Dfl	14016186
					M 17	34.	1.272	DEFLECTOR, Rad Lwr Air	14015276

V7-11



V7-11

**1980-82 'Y' REAR BUMPER**

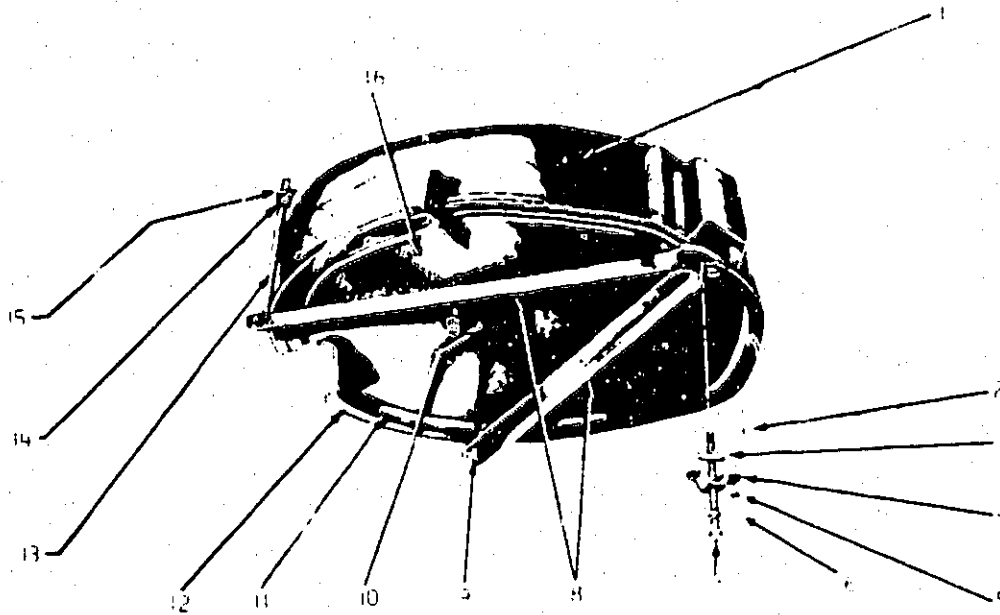
	1.	8.977	SCREW ASM (M4.2 x 1.41 x 25)	
	2.	8.915	NUT (#10-24)	
	3.	8.929	WASHER (M10 x .25 x 3)	
	4.	8.900	BOLT ASM (M10 x 1.5 x 22)	
	5.	8.917	NUT (M8 x 1.25)	
F 12	6.	7.840	BRACKET ASM, E/A to Frm	525739
	7.	8.929	WASHER (7/64" x 11/32" x 1 1/4")	
	8.	8.900	BOLT (M8 x 1.25 x 25)	
	9.	8.917	NUT (M8 x 1.25)	
F 12	10.	7.840	ABSORBER ASM, Shk	22017199
F 10	11.	7.831	BAR, Impact	14028581
F 11	12.	7.836	PLATE ASM, Reinf to E/A Mt	10005229
F 12	13.	7.840	STRIP, Impact Bar-LH	14011489
F 12		7.840	STRIP, Impact Bar-RH	14011490
	14.	8.967	RIVET, Dome Hd Blind (1/8"-1/4" x 3/16")	
F 11	15.	7.833	RETAINER	14011646
	16.	8.967	RIVET, Dome Hd (1/4"-3/8" x 3/16")	
F 10	17.	7.832	RETAINER, Impact Bar Cover-LH	14011847
F 10		7.832	RETAINER, Impact Bar Cover-RH	14011848
F 10	18.	7.831	COVER, Rr Impact Bar	14041157
	19.	8.977	SCREW ASM (M6.3 x 1.81 x 25)	

MICROFICHE INDEX  
GROUPS 6.000 THRU 8.000  
FICHE 4 OF 6

<u>GROUP DESCRIPTION</u>	<u>STARTING GRID LOCATION</u>	
	<u>PARTS ILLUSTRATIONS</u>	
- INTRODUCTION .....	A-6	H-2
- GENERAL INFORMATION .....	A-2	H-2
- ALPHABETICAL INDEX .....	C-11	N.A.
- INDEX FOR ADDITIONAL INFORMATION .....	A-5	N.A.
6.000 FRONT SUSPENSION - STEERING .....	E-2	H-6
7.000 FRAME - SPRINGS - SHOCKS - BUMPERS .....	F-2	J-2
8.000 FRONT END SHEET METAL - HEATER .....	G-5	L-2
- OUT OF FICHE CALLS .....	N.A.	M-11

**K-1**

V7-23



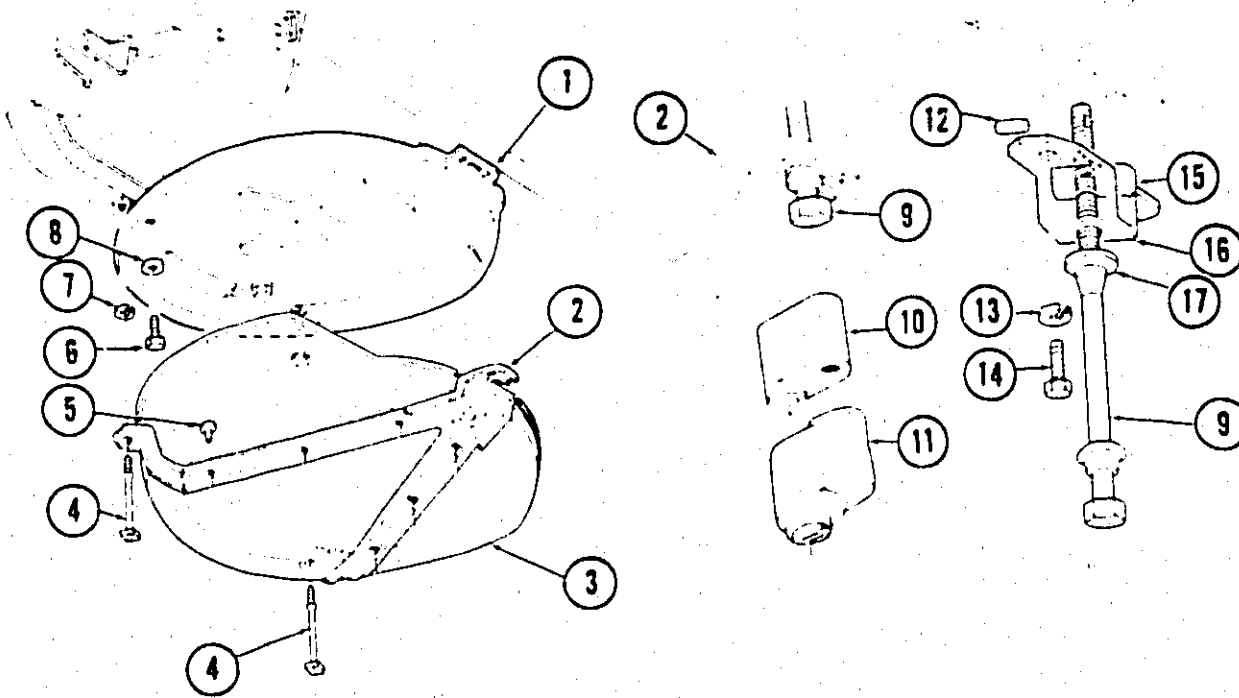
V7-23

**1963-67 'Y' SPARE TIRE CARRIER**

F 8	1. COVER .....	7.629
	2. PIN .....	N.S.
	3. NUT .....	N.S.
	4. BRACKET .....	N.S.
	5. WASHER, Lock (3/8") .....	N.S.
F 9	6. BOLT (3/8"-16 x 7/8") .....	7.632
F 9	7. BOLT .....	7.632
F 8	8. STRAP .....	7.629
	9. SCREW .....	N.S.
	10. WASHER (11/16") .....	8.929
	11. SEAL .....	N.S.
	12. SEAL .....	N.S.
F 9	13. BOLT .....	7.632
	14. NUT (7/16"-14) .....	N.S.
	15. WASHER (7/16") .....	N.S.
	16. TRAY .....	12.579



V7-24

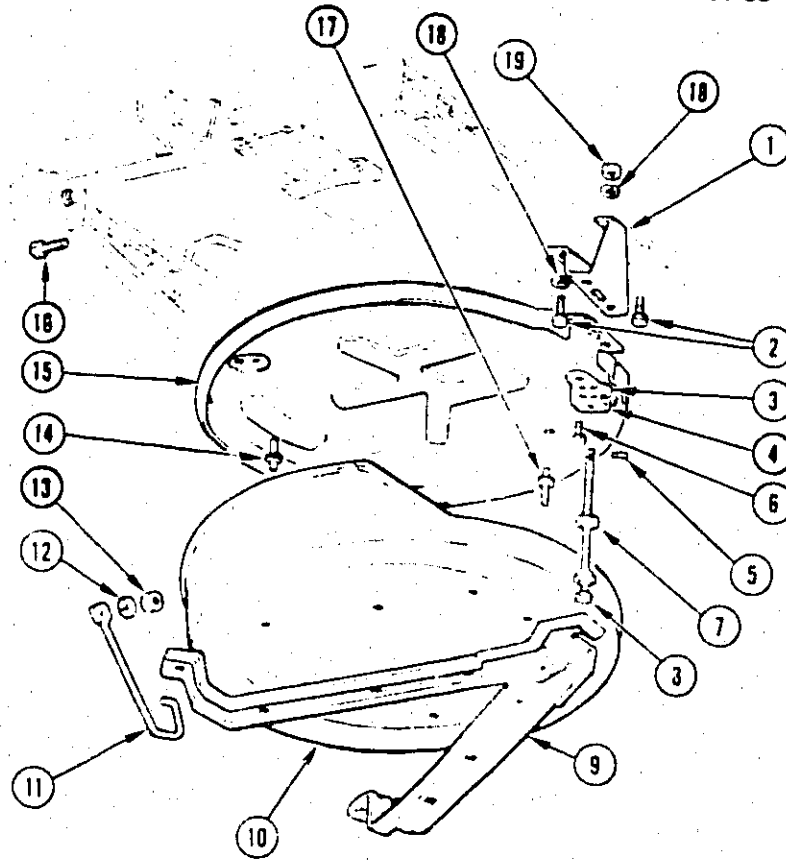


V7-24

**1968-79 SPARE TIRE CARRIER AND LOCK**

F 8	1.	7.629	COVER, Spare Wheel	14011839
F 8	2.	7.629	CARRIER, Spare Wheel	14030151
F 8	3.	7.629	TRAY, Spare Wheel	3914225
F 9	4.	7.632	BOLT, Spare Wheel Strap Bolt	3956389
	5.	8.967	RIVET	3828550
	6.	8.977	SCREW, Hex Wa Hd Tap (M8 x 1.25 x 20)	11503675
	7.	8.931	WASHER, Lock (7/16")	120383
	8.	8.929	WASHER (.318 x .820)	
F 9	9.	7.632	BOLT, Latch Lock	471903
F 9	10.	7.675	CASE, W/Key, Spare Wheel	
F 9	11.	7.675	COVER, Carrier Lock	3841701
	12.	N.S.	PIN, Grooved (3/16" x 9/16")	
	13.	8.931	WASHER, Lk (3/8")	
	14.	8.900	BOLT, Hex (3/8"-16 x 1 1/2")	454906
F 9	15.	7.633	NUT, Strap Latching Bolt	3841465
F 8	16.	7.629	BRACKET, Spare Wheel Strap	3914224
	17.	8.929	WASHER (11/32" ID   1/8" OD 1/8" Thk)	

V7-22



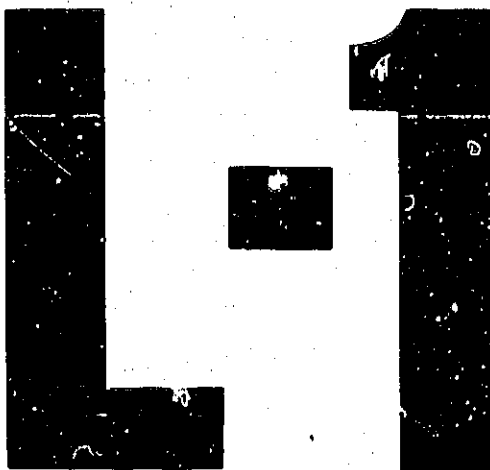
V7-22

**1980-82 SPARE TIRE CARRIER AND LOCK**

F 8	1.	7.629	SUPPORT, Spa Whl Strp Brkt	471905
	2.	8.900	BOLT, Hex (3/8"-16 X 3/4")	
F 9	3.	7.633	NUT, Spa Whl Strp Latching Bolt	3841485
F 8	4.	7.629	BRACKET, Spa Whl Strp	3914224
	5.	N.S.	PIN, Grooved (3/16" x 9/16")	
	6.	8.900	BOLT, Hex (3/8"-16 x 1 1/2")	
	7.	8.929	WASHER (11/32" ID 1 1/8" OD 1/8" Thk)	
F 9	8.	7.632	BOLT, Spa Whl Lat Lk	471903
F 8	9.	7.629	CARRIER, Spa Whl	14030151
F 8	10.	7.629	TRAY, Spa Whl	3914225
F 8	11.	7.629	HANGER, Spa Whl Carr	14030152
	12.	8.931	WASHER, Lock (M8)	
	13.	8.915	NUT, Hex (M8 x 1.25)	
	14.	8.967	RIVET	
F 8	15.	7.629	COVER, Spa Whl	14011839
	16.	8.900	BOLT, Hex (M8 X 1.25 X 35)	
	17.	8.967	RIVET, Truss Hd Blind (3/16" X 13/32")	
	18.	8.931	WASHER, Lock (3/8")	
	19.	8.917	NUT, Hex Lock (3/8"-16)	

MICROFICHE INDEX  
GROUPS 6.000 THRU 8.000  
FICHE 4 OF 6

<u>GROUP DESCRIPTION</u>	<u>STARTING GRID LOCATION</u>	
	<u>PARTS ILLUSTRATIONS</u>	
- INTRODUCTION .....	A-6	H-2
- GENERAL INFORMATION .....	A-2	H-2
- ALPHABETICAL INDEX .....	C-11	N.A.
- INDEX FOR ADDITIONAL INFORMATION .....	A-5	N.A.
6.000 FRONT SUSPENSION - STEERING .....	E-2	H-6
7.000 FRAME - SPRINGS - SHOCKS - BUMPERS .....	F-2	J-2
8.000 FRONT END SHEET METAL - HEATER .....	G-5	L-2
- OUT OF FICHE CALLS .....	N.A.	M-11



ILLUS

80

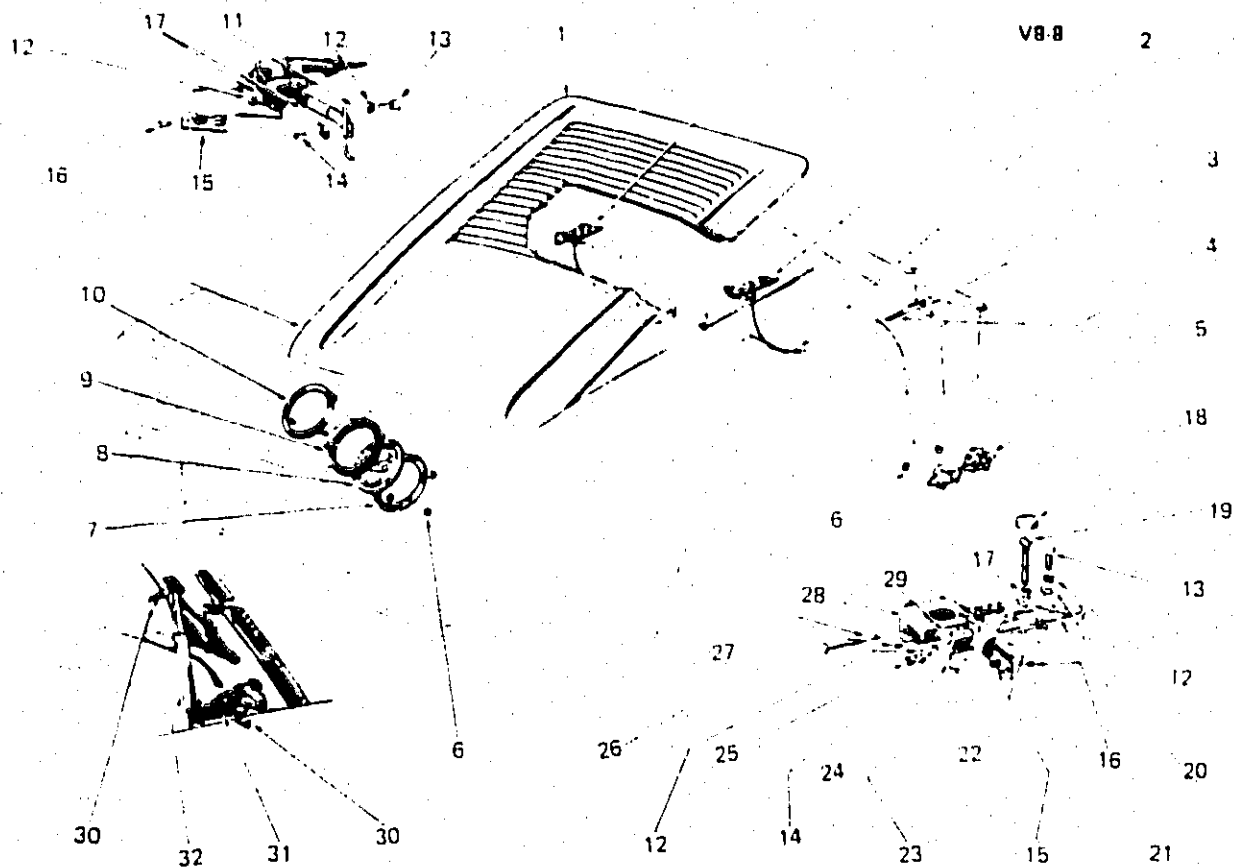


# CHEVROLET CHASSIS GROUP 8.000



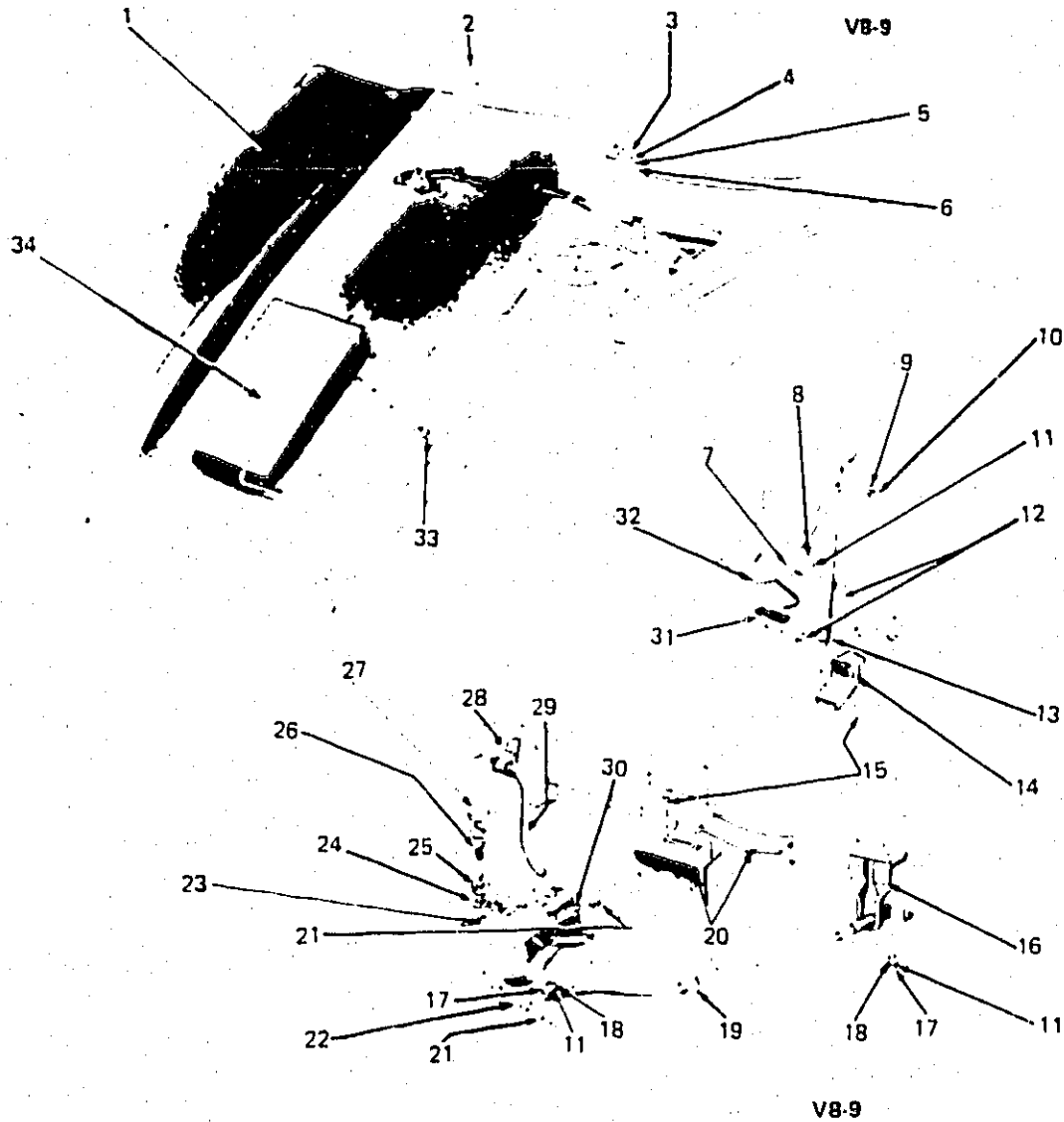
## ILLUSTRATION INDEX

	TITLE	GRID
1958-62	Y HOOD AND RELATED PARTS .....	L4
1963-67	Y HOOD AND RELATED PARTS .....	L5
1968-76	Y HOOD AND RELATED PARTS .....	L6
1958-62	CORVETTE FRONT END .....	L7
1958-62	Y FRONT END .....	L8
1963-67	Y FRONT END .....	L9
1968-72	Y FRONT END .....	L10
1973-75	Y FRONT END .....	L11
1976-79	Y FRONT END BODY PANELS & RELATED PARTS .....	L12
1980-82	Y FRONT END BODY PANELS & RELATED PARTS .....	L14
1963-67	Y HEATER SYSTEM .....	L16
1963-67	Y HEATER CONTROLS .....	L16
1968-78	Y HEATER & DEFROSTER SYSTEM ....	L17



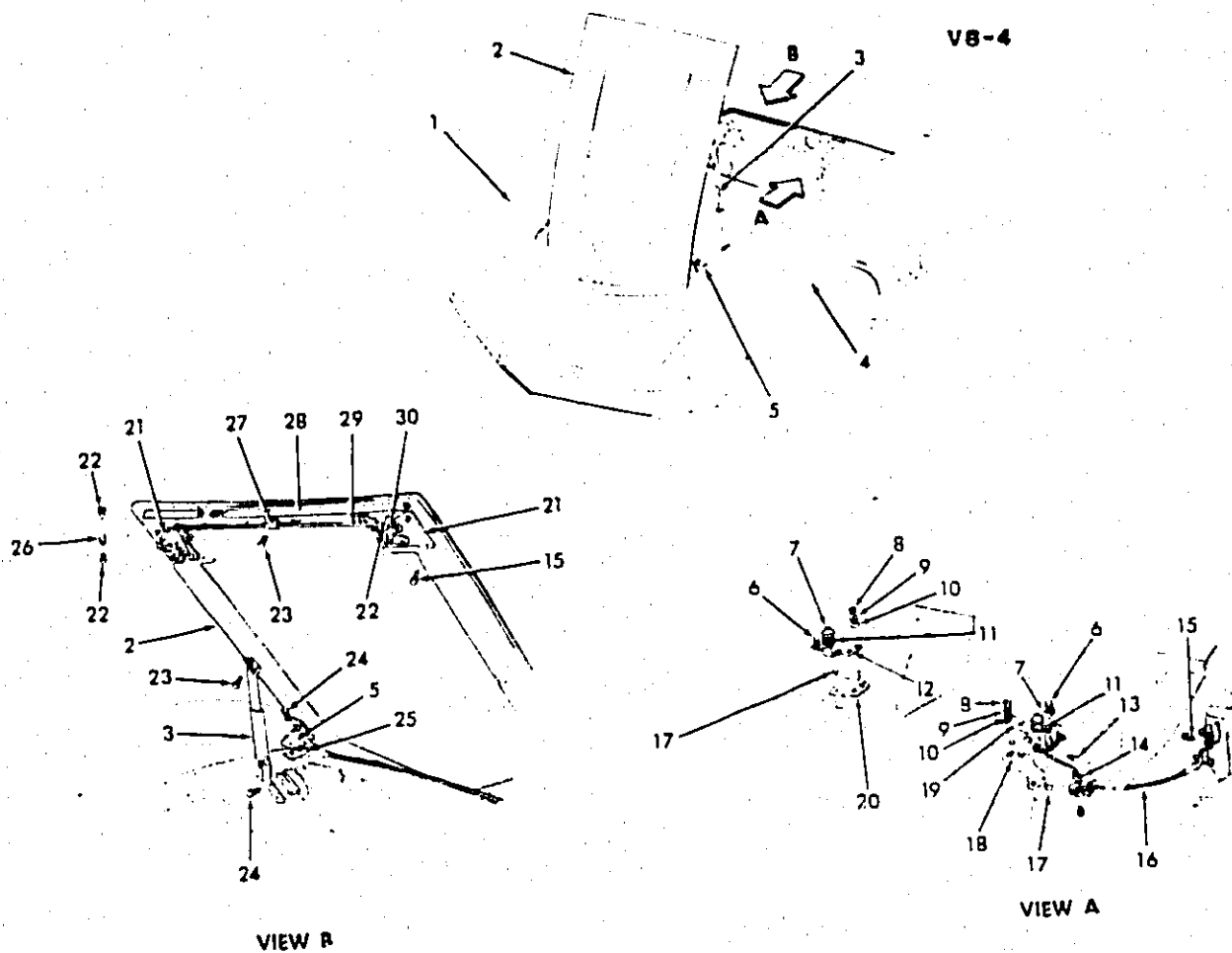
### 1958-62 'Y' HOOD AND RELATED PARTS

G 8	1. PANEL	8.000	17. NUT (1/4"-20)	8.916
G 9	2. GROMMET	8.077	18. BUMPER (11/16" x 3/16")	N.S.
	3. NUT (5/8"-18)	8.915	G 8 19. BOLT	8.024
G 9	4. CABLE	8.076	G 9 20. WASHER (1/4")	8.929
G 12	5. EMBLEM	8.153	G 9 21. BRACKET	8.077
	6. NUT (1/8")(Type M)	N.S.	G 9 22. RETAINER RING (Type TE)(1/4")	N.S.
G 8	7. PLATE	8.055	G 9 23. BRACKET	8.077
G 8	8. EMBLEM	8.055	G 9 24. GUIDE	8.077
G 8	9. SEAL	8.055	25. NUT (1/4"-20)	8.915
G 8	10. BEZEL	8.055	26. SCREW (#8-32 x 5/16")	N.S.
	11. WASHER	8.929	G 10 27. PIN	8.085
	12. WASHER, Lock (1/4")	8.931	G 10 28. SPRING	8.085
	13. BOLT (1/4"-20 x 5/8")	8.900	G 9 29. CATCH	8.080
	14. SCREW (#8-32 x 3/8")	N.S.	G 8 30. BOLT (5/16"-18 x 3/4")	8.900
G 9	15. PLATE	8.080	G 8 31. HINGE	8.015
	16. RIVET (1/8" x 5/16")	N.S.	G 8 32. SUPPORT	8.015



1963-67 'Y' HOOD AND RELATED PARTS

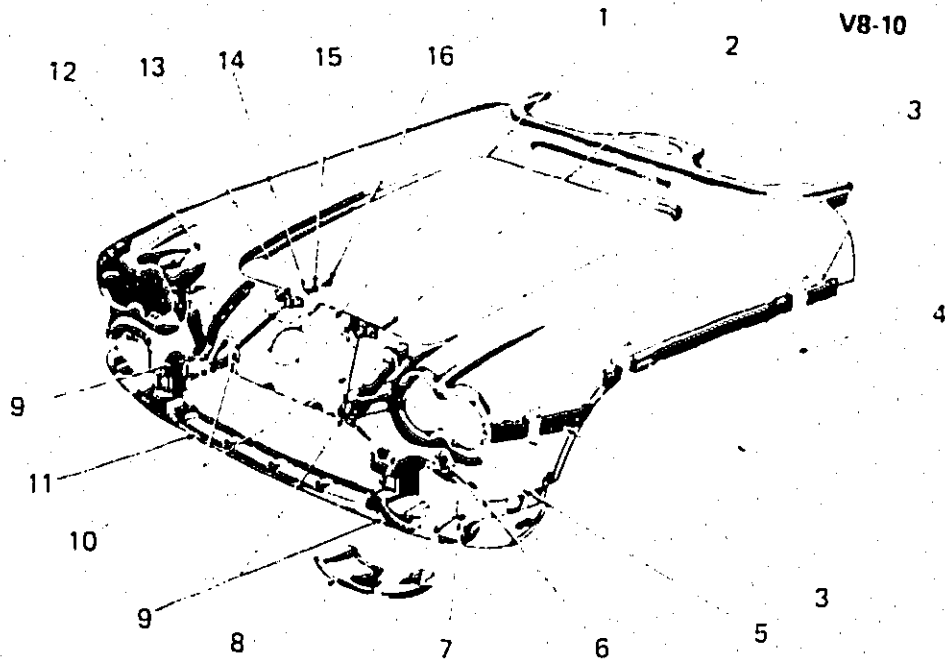
G 8	1. PANEL ASM	8.000	17. BOLT (5/16"-18 x 3/4")	8.900	
N 21	2. WEATHERSTRIP	12.801	18. WASHER (5/16")	8.929	
G 10	3. SEAT	8.085	G 9	19. GROMMET	8.077
G 10	4. SPRING	8.085	20. REINFORCEMENT ASM	N.S.	
G 10	5. RETAINER	8.085	21. SCREW (8-32 x 7/16")	8.977	
G 10	6. BOLT	8.085	N 3	22. GUIDE	3.431
	7. BOLT (5/16"-18 x 5/8") Use With		G 9	23. CATCH ASM	8.080
	8.931 L/Washer	8.900	24. WASHER (1/4")	8.929	
	8. BOLT (5/16"-18 x 7/8")	8.900	25. NUT (1/4"-20)	8.916	
	9. WASHER, Lock (1/4")	8.931	G 8	26. SCREW	8.024
	10. BOLT (1/4"-20 x 5/8")	8.900	G 8	27. BUMPER	8.024
	11. WASHER, Lock (5/16")	8.932	28. CLIP	N.S.	
	12. BOLT (1/4"-20 x 7/8") Use With 8.931		29. CABLE ASM	N.S.	
	L/Washer (#10)	8.900	G 9	30. GUIDE	8.077
G 8	13. SUPPORT ASM	8.015	G 8	31. SHIM	8.016
G 8	14. BRACKET ASM	8.015	G 8	32. HINGE ASM	8.015
	15. RIVET (3/16" x 5/8")	8.967	G 8	33. NUT ASM (3/16")	8.921
G 9	16. CABLE ASM	8.075	G 8	34. ORNAMENT	8.055



### 1968-76 'Y' HOOD AND RELATED PARTS

G 10	1. PANEL, Frt	8.130	17. RIVET	8.997
G 8	2. PANEL CONVERSION KIT, Hood Top	8.000	G 9	18. REINFORCEMENT, Hood Lock Lower
G 8	3. SUPPORT ASM, Hood Panel	8.015	G 10	19. BRACKET ASM, Hood Upper Lock Plate
G 10	4. PANEL, Frt	8.130		8.085
G 8	5. HINGE ASM, Hood Panel	8.015	G 10	20. PLATE, Lock Catch
G 8	6. BUMPER, Hood	8.024	G 10	21. PLATE, Lock Catch
G 10	7. BOLT	8.085		8.083
	8. NUT (5/16"-18)	8.915		22. BOLT (#8-32 x 7/16")
	9. WASHER, Lock (5/16")	8.931		8.900
	10. WASHER (5/16")	8.929		23. BOLT (1/4"-20 x 1/2")
G 10	11. SPRING, Hood Upper Lock Plate	8.085		8.900
G 10	12. BRACKET ASM, Lock Release & Bolt	8.085		24. BOLT (5/16"-18 x 7/8")
G 10	13. BOLT (#8-32 x 5/16")	8.900		8.932
G 9	14. GROMMET	8.077	G 8	25. SHIM
G 9	15. BOLT (1/4"-20 5/8")	8.900	G 9	26. GUIDE, Rod Stop
G 9	16. CABLE ASM, Hood Lock Release	8.075		8.950
				27. CLIP (3/16")
			N 21	28. WEATHERSTRIP, Hood Ledge
			G 9	29. CABLE ASM, Hood Lock Release
			G 9	30. GUIDE, Release Cable
				8.075

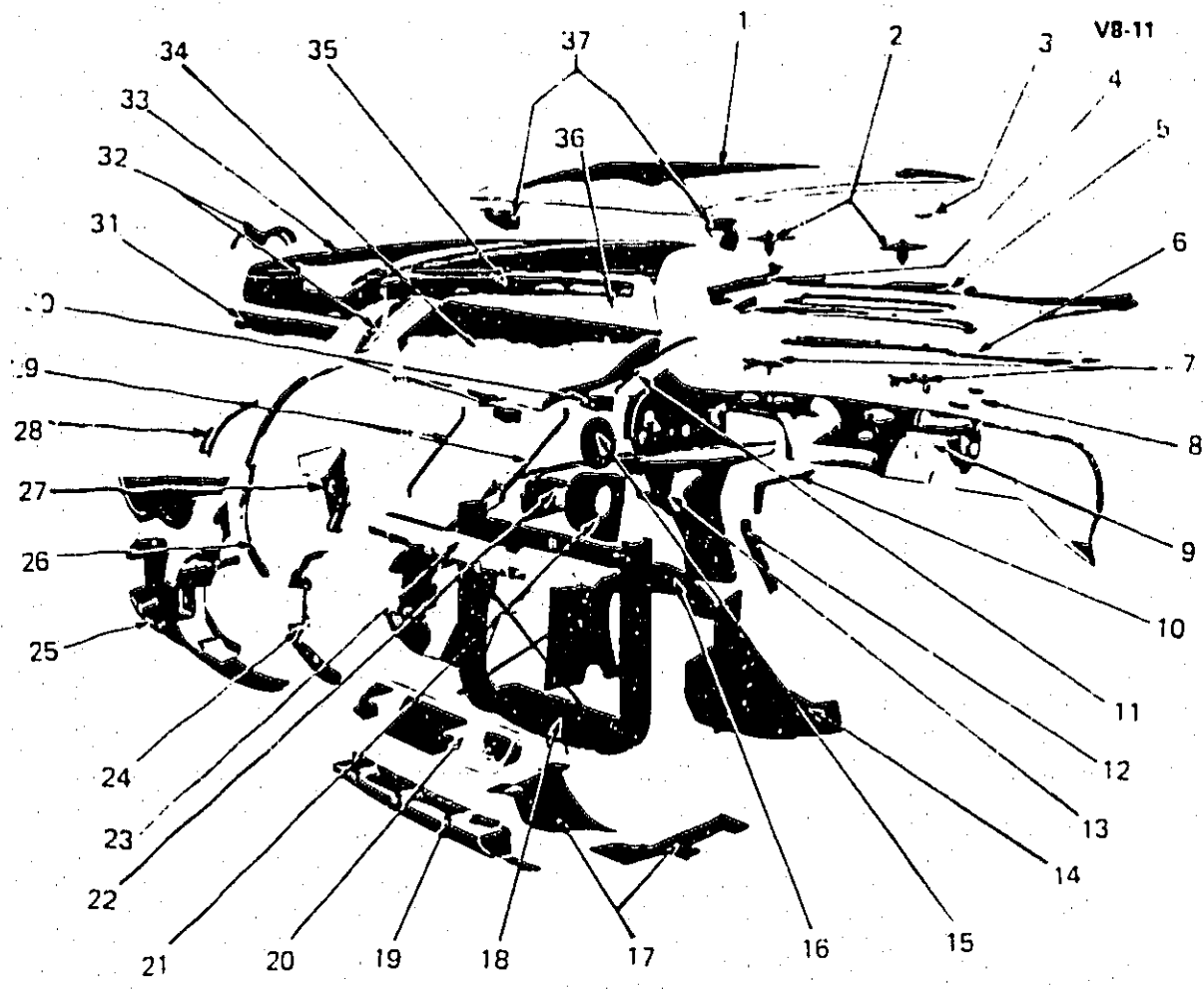




V8-10

**1958-62 CORVETTE FRONT END**

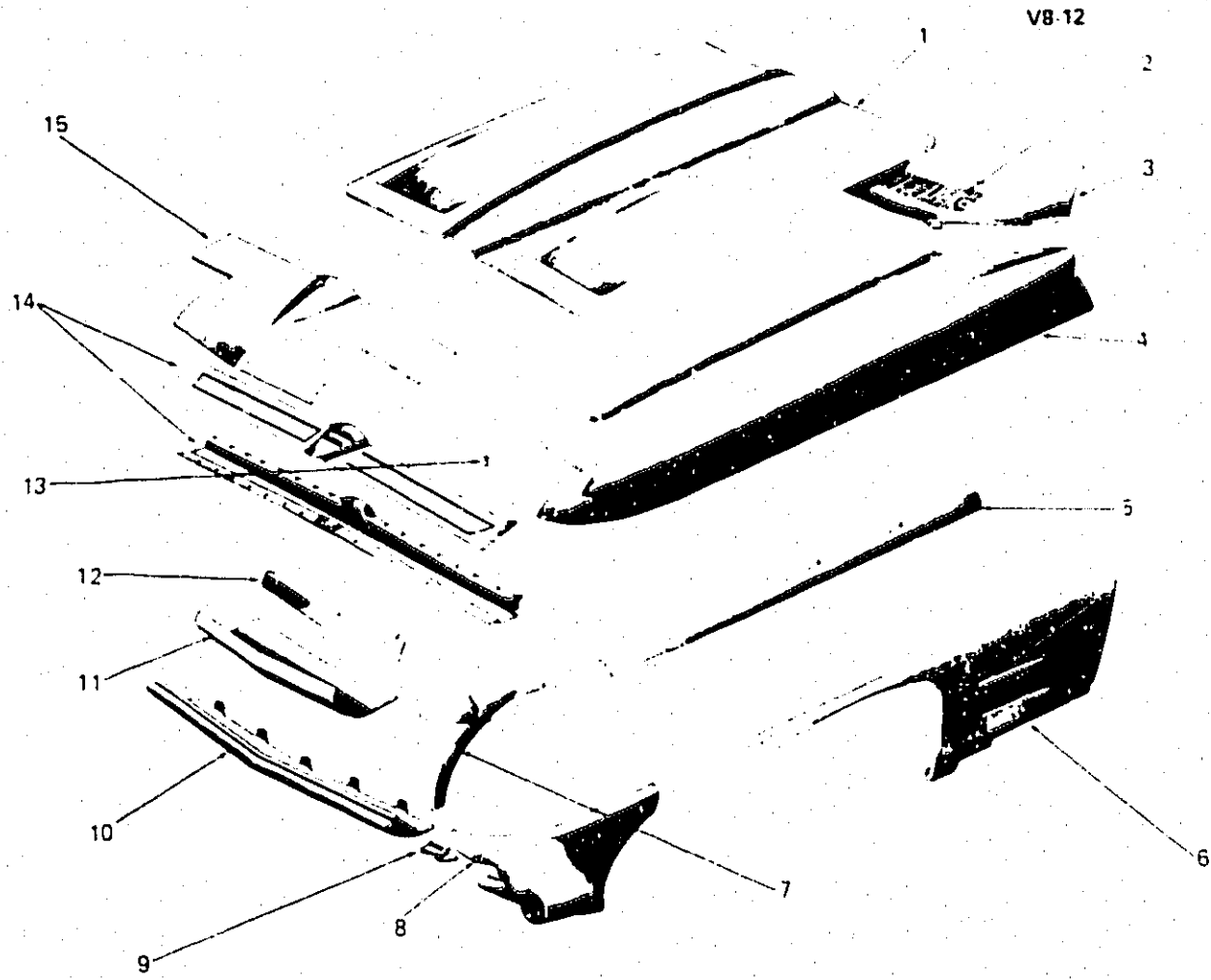
M 14	1. PANEL .....	1.263
	2. RIVET (3/16" x 7/16") .....	8.967
G 11	3. STRIP .....	8.141
G 10	4. PANEL .....	8.130
M 14	5. PANEL .....	1.263
M 15	6. MOLDING ASM .....	1.268
	7. NUT (1/4"-20) .....	8.915
M 15	8. MOLDING ASM .....	1.268
G 11	9. STRIP .....	8.141
	10. ROD .....	12.803
M 14	11. PANEL .....	1.263
G 10	12. PANEL .....	8.130
	13. BRACKET .....	12.803
	14. WASHER (5/16" Small) .....	8.929
	15. WASHER, Lock (5/16") .....	8.931
	16. BOLT (5/16" 24 x 5/8") .....	8.900



VB-11

1958-62 'Y' FRONT END

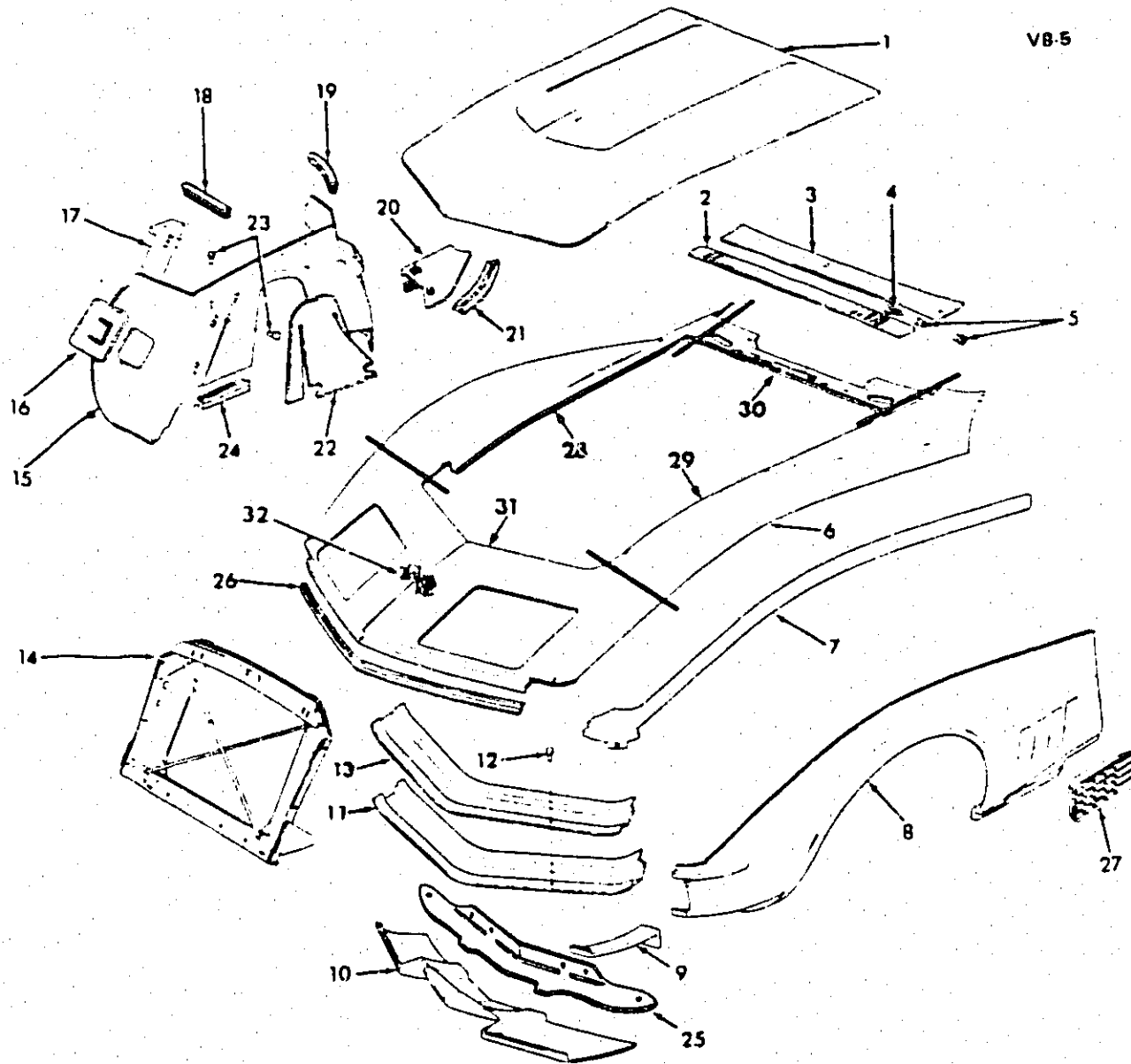
G 8	1. PANEL	8.000	M 14	19. PANEL	1.263
G 10	2. LOCK ASM	8.083	M 17	20. BAFFLE	1.272
G 10	3. PLATE ASM	8.083	M 16	21. BRACKET	1.270
G 8	4. SUPPORT	8.015	M 16	22. BRACKET	1.270
N 21	5. PANEL	12.804	M 14	23. EXTENSION	1.263
N 21	6. REINFORCEMENT	12.800	G 11	24. BONDING STRIP	0.141
G 9	7. CATCH ASM	8.080	M 14	25. PANEL	1.263
G 9	8. PLATE ASM	8.080	G 11	26. REINFORCEMENT	8.141
	9. PANEL	12.803	G 11	27. BONDING STRIP	8.141
G 13	10. SUPPORT	8.155	G 10	28. FILLER	8.130
G 11	11. BONDING STRIP	8.141	N 21	29. ROD	12.804
G 13	12. SUPPORT	8.155	N 21	30. BRACKET	12.804
G 12	13. SKIRT	8.153	G 11	31. BONDING STRIP	8.141
G 12	14. PLATE	8.153	G 11	32. BONDING STRIP	8.141
	15. SCREEN ASM	9.784	G 10	33. PANEL	8.130
M 18	16. SHROUD	1.277	M 14	34. PANEL	1.263
M 18	17. SHROUD	1.277	G 11	35. BONDING STRIP	8.141
M 16	18. SUPPORT	1.270	G 10	36. PANEL	8.130
			G 8	37. HINGE	8.015



V8-12

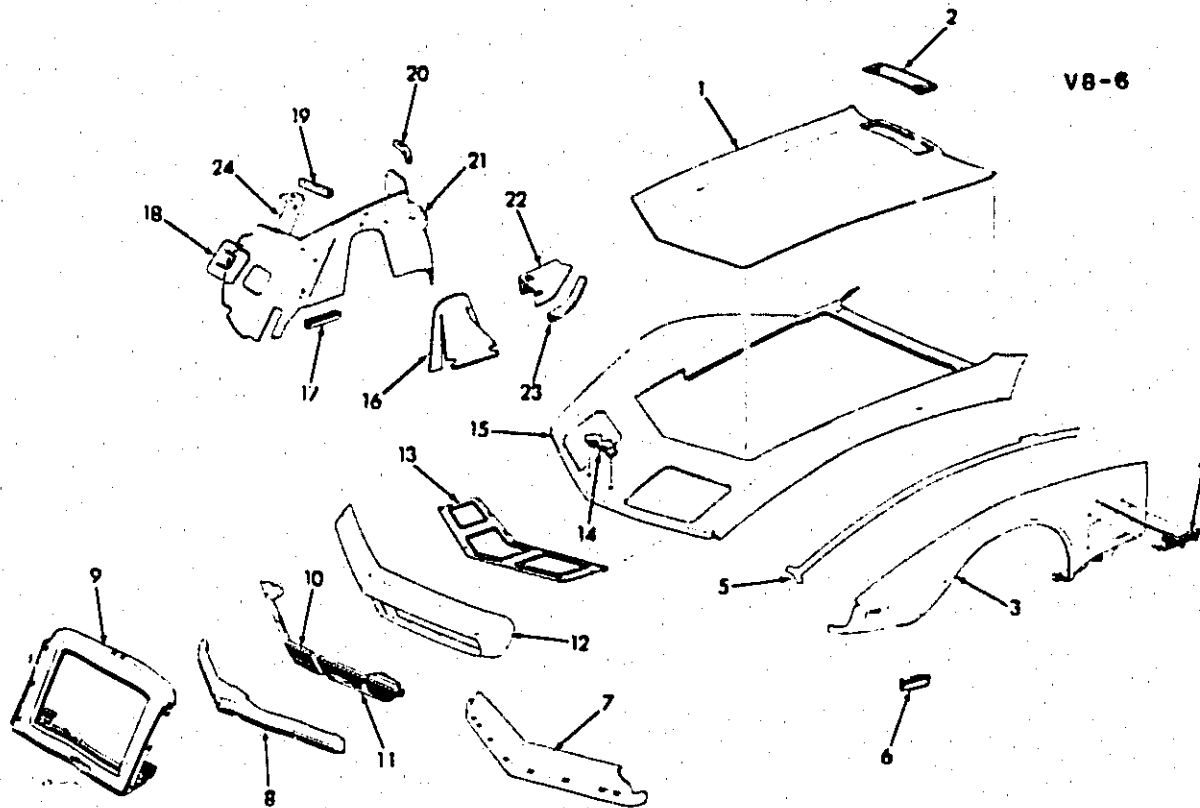
1963-67 'Y' FRONT END

G 8	1. PANEL .....	8.000
N 21	2. GRILLE .....	12.800
G 10	3. PANEL .....	8.130
G 10	4. PANEL .....	8.130
G 11	5. BONDING STRIP .....	8.141
G 10	6. PANEL .....	8.130
G 11	7. BONDING STRIP .....	8.141
G 10	8. PANEL .....	8.130
G 11	9. BONDING STRIP .....	8.141
M 14	10. PANEL .....	1.263
M 14	11. PANEL .....	1.263
M 14	12. BONDING STRIF .....	1.263
	13. RIVET .....	N.S.
M 14	14. BONDING STRIP .....	1.263
G 10	15. PANEL .....	8.130



1968-72 'Y' FRONT END

G 8	1. PANEL CONVERSION KIT, Hood Top	8.000	G 13	17. REINFORCEMENT	8.155
N 21	2. PANEL, Air Inlet Grille	12.800	G 13	18. SEAL (9/16" x 3/4" x 10 Ft)	8.154
N 18	3. PANEL, W/S Washer Access Door	10.130	G 13	19. SEAL	8.154
N 18	4. BOLT (#10-24)	10.130	G 12	20. SHIELD, Skirt Splash	8.153
N 18	5. BUSHING, Actuator Limiter Switch	10.130	G 13	21. SEAL, Frt Fender & Skirt	8.154
G 10	6. PANEL ASM, Frt Fender Upr	8.130	G 12	22. SHIELD, Fender Dust	8.153
G 11	7. BONDING STRIP, Frt Fender	8.141		23. RIVET	8.997
G 10	8. PANEL, Frt Fender Lower	8.130	G 13	24. SEAL, Fender Skirt to Frame	8.154
G 11	9. BONDING STRIP	8.141	M 19	25. EXTENSION, Rad Grille	1.287
M 14	10. PANEL, Frt	1.263	M 14	26. REINFORCEMENT, Upr Panel	1.263
G 11	11. REINFORCEMENT, Frt Fender	8.141	G 12	27. LOUVER, Frt Fender (1970-72)	8.147
	12. RIVET	8.997	G 10	28. PANEL, Fender Upr-RH	8.130
M 14	13. BONDING STRIP, Radiator	1.263	G 10	29. PANEL, Fender Upr-LH	8.130
M 16	14. SUPPORT ASM, Radiator Core	1.270	G 10	30. PANEL, Fender Upr Rear	8.130
G 12	15. SKIRT, Frt Fender	8.153	G 10	31. PANEL, Fender Upr Front	8.130
F 11	16. SEAL, Frt Bumper Brace	7.833	M 19	32. EMBLEM, Crossed Flags	1.303

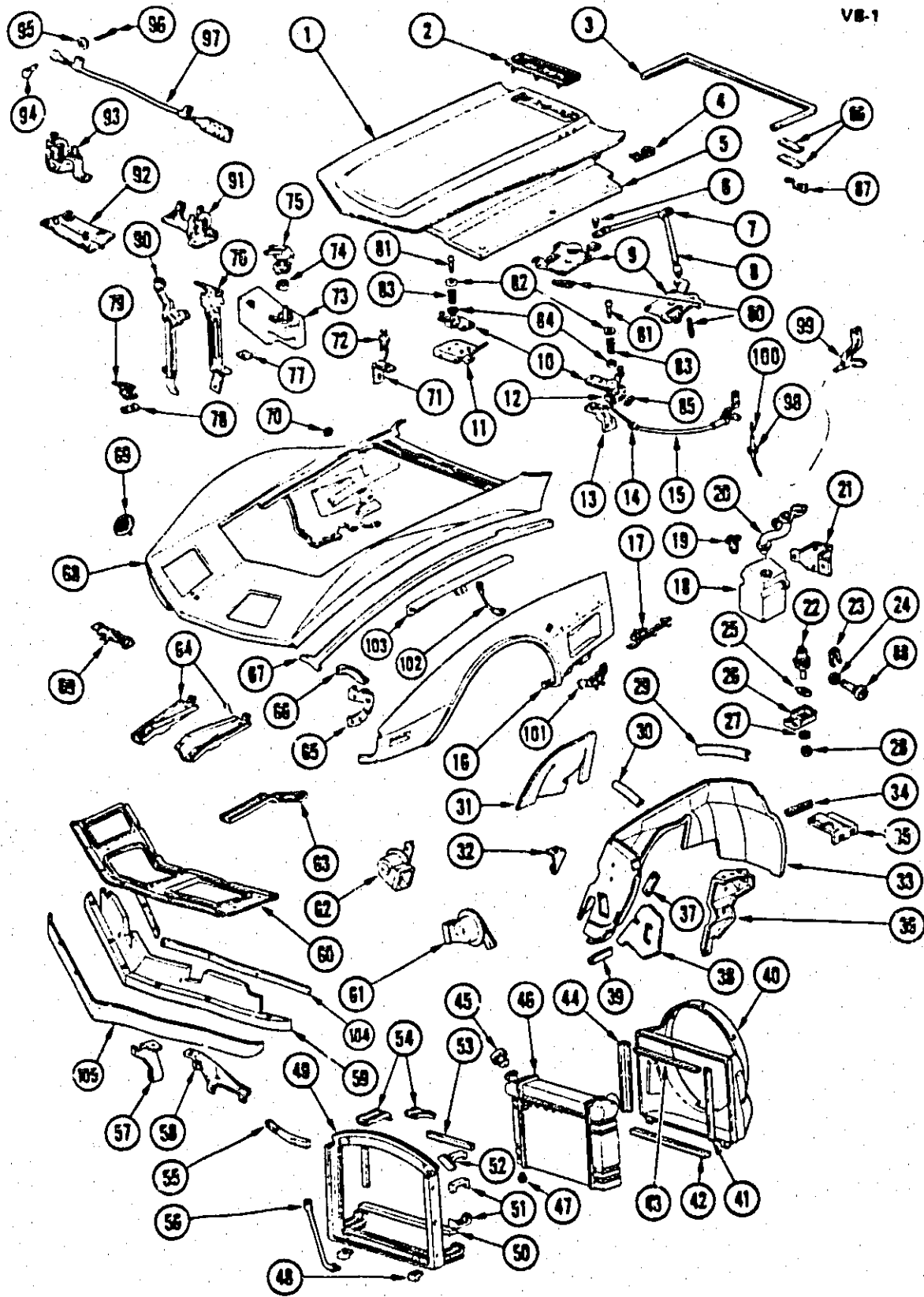


V8-6

V8-6

**1973-75 'V' FRONT END**

G 8	1. PANEL CONVERSION KIT, Hood Top .....	8.000
N 21	2. GRILLE, Hood Air Inlet .....	12.800
G 10	3. PANEL, Frt Fender Lower .....	8.130
G 12	4. EMBLEM, Side "STINGRAY" .....	8.147
G 11	5. BONDING STRIP, Fender Upper to Fender Lower .....	8.141
M 25	6. LAMP ASM, Side Marker .....	2.575
M 19	7. EXTENSION, Rad Grille Lower Panel .....	1.287
F 10	8. BAR, Bumper Face Frt .....	7.831
M 16	9. SUPPORT ASM, Radiator Core .....	1.270
M 15	10. GRILLE, Center .....	1.266
M 15	11. GRILLE, Outer .....	1.266
F 10	12. COVER, Frt Bumper Face Bar .....	7.832
M 14	13. PANEL, Grille Lower .....	1.263
M 19	14. EMBLEM KIT, Body Frt W/Nuts .....	1.303
G 10	15. PANEL ASM, Frt Fender Upper .....	8.130
G 12	16. SHIELD, Fender Dust .....	8.153
G 13	17. SEAL (Cut As Req) .....	8.154
F 11	18. SEAL, Frt Bumper Brace .....	7.833
G 13	19. SEAL (Cut As Req) .....	8.154
G 13	20. SEAL (Cut As Req) .....	8.154
G 12	21. SKIRT ASM, Frt Fender .....	8.153
G 13	22. SHIELD, Skirt Splash .....	8.154
G 13	23. SEAL (Cut as Req) .....	8.154
G 13	24. REINFORCEMENT, Skirt .....	8.155



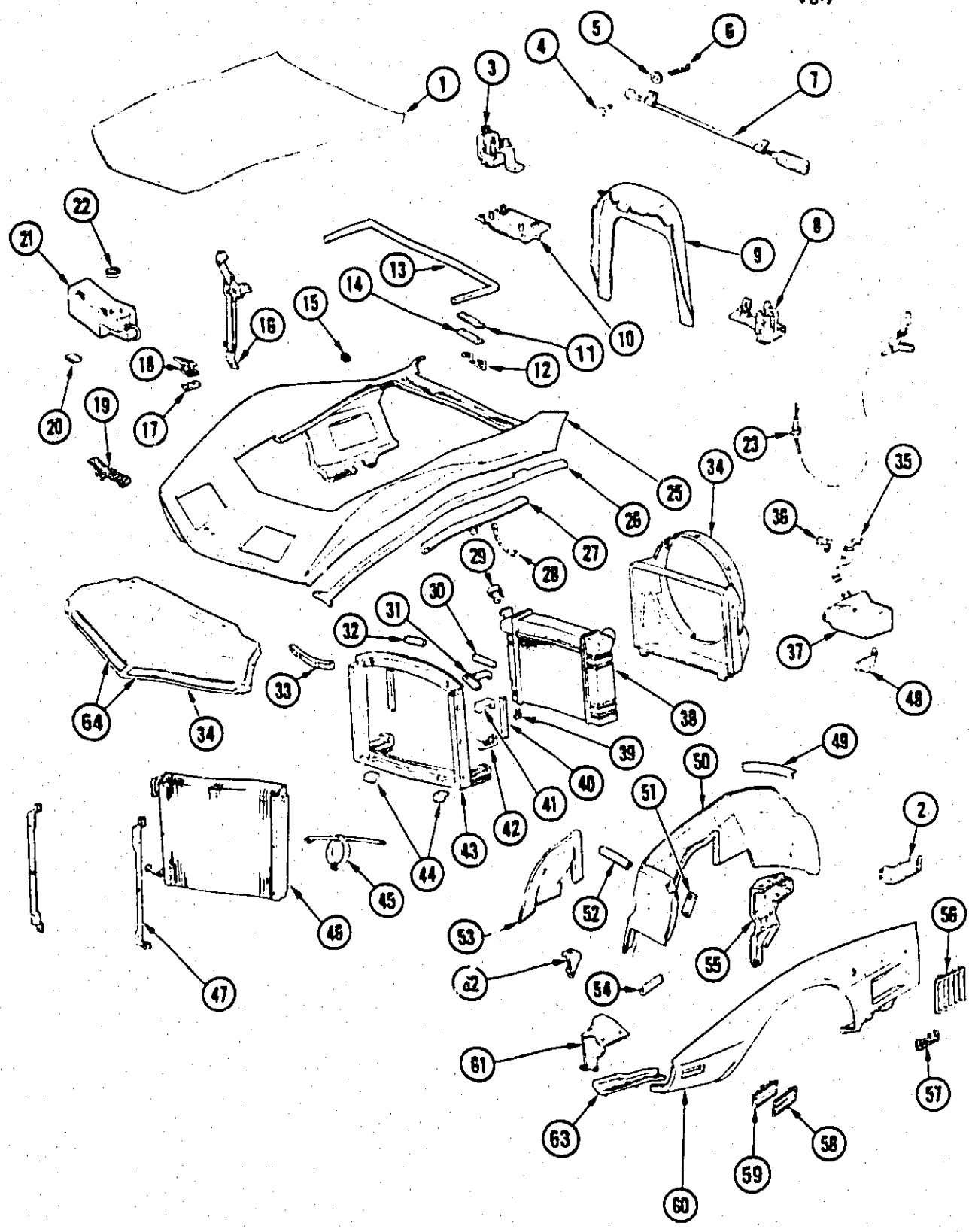
VB-1

1976-79 'Y' FRONT END BODY PANELS & RELATED PARTS

## 1976-79 'Y' FRONT END BODY PANELS &amp; RELATED PARTS

G 8	1. PANEL CONVERSION KIT, Hood Top	8.000	M 16	52. BRACKET, Rad Core	1.270
N 21	2. GRILLE, Hood Air Inlet (1976 Only)	12.800	M 17	53. SEAL, Rad Support Upper	1.274
N 21	3. WEATHERSTRIP, Hood Ledge (Cowl)	12.801	M 18	54. BRACKET, Fan Shroud Upper Support	1.277
G 8	4. EMBLEM, Hood (L82)	8.055	M 17	55. SEAL, Rad Support to Hood	1.274
G 8	5. INSULATOR, Hood Panel	8.021	M 19	56. ROD, Rad Support to Frt Fender Upper	1.287
G 9	6. PIN, Hood Lock Catch Clevis (1976 only)	8.080	M 15	57. BRACKET, Rad Grille Inner	1.267
	7. CLIP, Hood Latch Actuator Cable (1976 only)	8.950	M 15	58. BRACKET, Rad Grille Outer	1.267
G 9	8. CABLE, Hood Lock Actuator (1976 only)	8.075	M 19	59. EXTENSION, Rad Grille Lower Panel	1.287
G 10	9. PLATE ASM, Lock Catch (1976 only)	8.083	M 14	60. PANEL, Grille Lower	1.283
G 9	10. BRACKET ASM, Hood Lock Release (1976 only)	8.080	M 27	61. HORN ASM, Low Note	2.810
G 9	11. PLATE ASM, Hood Lock Bolt & Bpr Mtg Brkt Tap (1976 Only)	8.080	M 27	62. HORN ASM, High Note	2.810
G 9	12. GUIDE, Hood Latch Release Cable (1976)	8.075	G 11	63. REINFORCEMENT, Frt Fndr Lwr, Frt Lwr	8.141
G 9	13. REINFORCEMENT, Hood Lock Catch (1976)	8.080	F 9	64. REINFORCEMENT, Eng Abs Frt Bar Guard	7.828
G 9	14. GROMMET, Hood Lock Release Cable (1976)	8.077	G 13	65. REINFORCEMENT, Frt Fdr Lwr, Frt Up	8.155
G 9	15. CABLE ASM, Hood Lock Release (1976 only)	8.075	G 13	66. EXTENSION, Frt Fdr Up Pnl Frt Reinf	8.155
G 10	16. PANEL, Frt Fender Lower	8.130	C 11	67. BONDING STRIP, Fdr Up to Fdr Lower	8.141
G 12	17. EMBLEM, Side "STINGRAY"	8.147	G 10	68. PANEL, Frt Fender Up	8.130
N 19	18. MOTOR, Pump & Jar Asm, WSWA	10.150	M 19	69. EMBLEM, Body Front (1976 only)	1.303
N 20	19. BRACKET, Motor, Pump & Jar Exten	10.154	G 8	70. BUMPER, Hood Support	8.024
N 20	20. EXTENSION, Motor, Pump & Jar	10.154	M 20	71. BRACKET, Anti-Theft Hood Switch	2.195
N 20	21. BRACKET, Motor, Pump & Jar	10.154	M 20	72. SWITCH, Anti-Theft Hood	2.195
M 20	22. SWITCH ASM, Anti-Theft Alarm Protector	2.155	M 14	73. TANK, Coolant Recovery	1.240
N 20	23. RETAINER, Lock Cyl Anti-Theft Switch	10.551	M 13	74. CLAMP, Worm Adj Type	1.186
M 20	24. GASKET, Alarm System Switch	2.195	M 14	75. CAP, Coolant Recovery Tank	1.240
M 20	25. BRACKET, Anti-Theft Alarm Switch Adj	2.195	G 8	76. SUPPORT, Hood (1976 only)	8.015
M 20	26. SHIELD, Anti-Theft Lock Switch	2.195	G 8	77. WASHER, Hood Support	8.929
N 22	27. WASHER, Anti-Theft	12.981	G 8	78. SHIM, Hood Hinge to Front	8.018
	28. NUT (3/8"-16)	8.916	G 8	79. HINGE, Hood	8.015
	29. SEAL, Frt Fender Skirt Rr	N.S.	G 10	80. SPRING, Lock Catch (1976 only)	8.085
	30. SEAL, Frt Fender Skirt Frt	N.S.	G 1	81. BOLT, Hood Lock Release (2 1/2" OL)(1976 Only)	8.085
G 12	31. SHIELD, Fender Dust	8.153	G 10	82. RETAINER, Lock Release (1976 Only)	8.085
G 13	32. REINFORCEMENT, Skirt Frt Fdr to Frt Fdr Pnl	8.155	G 10	83. SPRING, Lock Release Bolt (1976 Only)	8.085
G 12	33. SKIRT, Frt Fender	8.153	G 10	84. SEAT, Hood Lock Spring (1976 Only)	8.085
	34. SEAL, Frt Fender Skirt Splash Shield	N.S.	G 10	85. SPRING, Lock Release Arm Return (1976)	8.085
G 13	35. SHIELD, Frt Fender Skirt Splash	8.154	G 8	86. SHIM, Hood Latch Striker	8.016
G 13	36. REINFORCEMENT, Skirt	8.155	G 9	87. STRIKER, Hood Latch	8.080
G 12	37. PLATE, Reinf (Not in Catalog)	8.153	M 20	88. SWITCH ASM, Anti-Theft Hood	2.195
F 11	38. SEAL, Frt Bumper Brace	7.833	M 19	89. EMBLEM, Body Frt	1.303
	39. SEAL, Frt Fender Skirt to Frame	N.S.	G 8	90. SUPPORT ASM, Hood	8.015
M 18	40. SHROUD ASM, Radiator Fan	1.277	G 9	91. BRACKET ASM, Hood Latch Release-LH	8.080
M 17	41. SEAL, Rad Fan Side Shroud-LH	1.274	G 9	92. REINFORCEMENT, Hood Latch Dash Mtg	8.080
M 17	42. SEAL, Rad Fan Shroud Lower	1.274	G 9	93. BRACKET ASM, Hood Latch Release-RH	8.080
M 17	43. SEAL, Rad Fan Shroud Upper	1.274	G 9	94. PIN	8.077
M 17	44. SEAL, Rad Fan Side Shroud-RH	1.274		95. WASHER, Flat (5/32" x 5/16")	8.929
M 13	45. CAP ASM, Rad Fill	1.203	G 9	96. PIN, Cotter (1/16" x 1/2")	8.938
M 13	46. RADIATOR	1.219	G 9	97. CABLE ASM, Hood Lock Actuator	8.075
	47. PLUG, Rad Drain (1/4")	N.S.	G 9	98. GROMMET, Hood Lock Cable	8.077
M 16	48. BRACKET, Rad Supt Mtg Inter	1.270	G 9	99. CABLE ASM, Hood Lock Release	8.075
M 16	49. SUPPORT, Radiator Core	1.270		100. GUIDE, Hood Release Cable	3.483
M 17	50. SEAL, Rad Support Lower	1.274	G 12	101. EMBLEM ASM, Frt Fdr Lwr Panel	8.147
M 16	51. INSULATOR, Rad Support	1.270	G 11	102. CABLE, Frt Fdr Up	8.141
			G 11	103. REINFORCEMENT, Frt Fdr Up Pnl-LH	8.141
			G 11	REINFORCEMENT, Frt Fdr Up Pnl-RH	8.141
			M 19	104. REINFORCEMENT, Lwr Pnl Ext	1.287
			M 14	105. EXTENSION, Rad Grl Lwr Pnl	1.283

V8-7



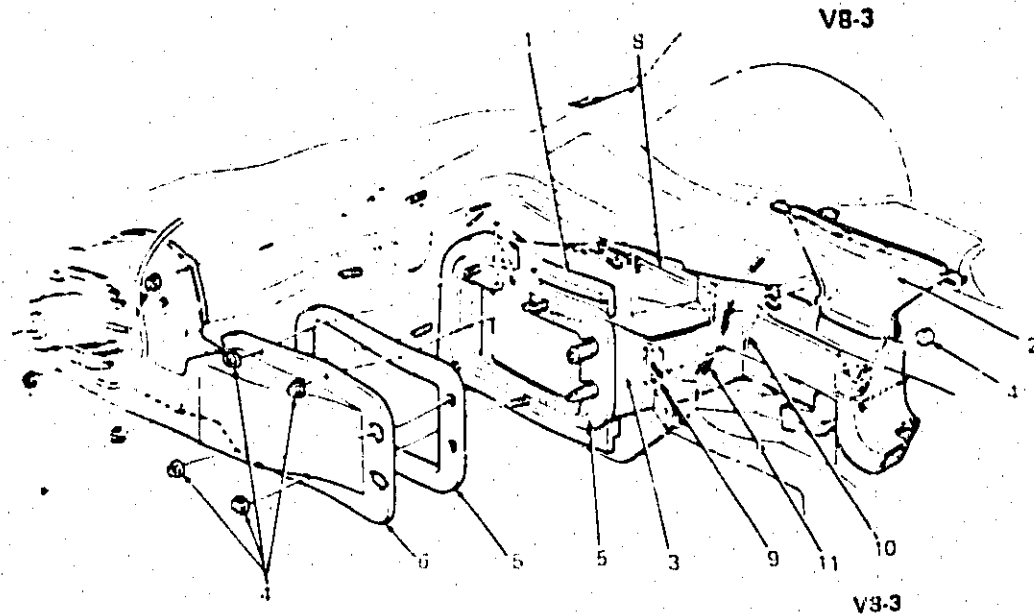
V8-7

1980-82 'Y' FRONT END BODY PANELS & RELATED PARTS



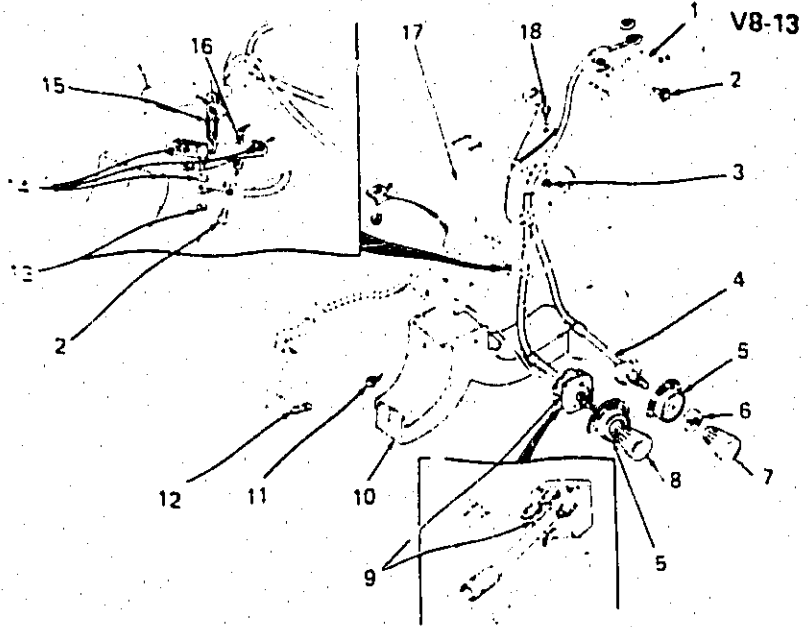
1980-82 'Y' FRONT END BODY PANELS & RELATED PARTS

G	8	1. PANEL, Hood Top	8.000
N	22	2. SCREEN, Plenum Side Panel	12.941
G	9	3. BRACKET, W/Latch, Hood Rel-RH	8.080
G	9	4. PIN, Clevis (9/64" x 5/16")	8.077
		5. WASHER (13/64" x 1/2")	8.929
		6. PIN, Cotter (1/16" x 1/2")	8.938
G	9	7. CABLE ASM, Hood Latch Actr	8.075
G	9	8. BRACKET, W/Latch, Hood Rel-LH	8.080
N	16	9. SHIELD ASM, Distr (Noise Suppression)	9.863
G	9	10. REINFORCEMENT, Hood Latch Dash Mtg	8.080
G	8	11. SHIM, Hood Latch Stkr (Thin)	8.016
G	9	12. STRIKER, Hood Latch	8.080
N	21	13. WEATHERSTRIP, Hood Ledge (Cowl)	12.801
G	8	14. SHIM, Hood Latch Striker (Thin)	8.016
G	8	15. BUMPER, Hood Supt	8.015
G	8	16. SUPPORT ASM, Hood	8.015
G	8	17. SHIM, Hood Hinge to Fdr Skirt	8.016
G	8	18. HINGE ASM, Hood	8.015
M	19	19. EMBLEM ASM, Body Frt	1.303
G	8	20. WASHER, Hood Support	8.055
M	14	21. TANK, Coolant Recovery	1.240
M	13	22. CLAMP, Worm Adj Type	1.188
G	9	23. CABLE ASM, Hood Latch Rel	8.075
M	18	24. SHROUD, Rad Fan	1.277
G	10	25. PANEL ASM, Fdr Uprr	8.130
G	11	26. STRIP, Fdr Uprr to Fdr Lwr Bond	8.141
G	11	27. REINFORCEMENT, Fdr Uprr Pnl	8.141
G	11	28. CABLE ASM, Frt Fdr Uprr	8.141
M	17	29. CAP ASM, Rad Press	1.203
M	17	30. SEAL, Rad Supt Uprr-LH	1.274
M	18	31. BRACKET ASM, Rad Fan Shrd Supt	1.277
M	17	32. SEAL, Rad Supt Uprr-RH	1.274
M	17	33. SEAL ASM, Rad Supt to Hood	1.274
M	17	34. DEFLECTOR, Lwr Air	1.272
N	20	35. EXTENSION, Mtr Pump & Jar	10.154
N	20	36. BRACKET, Mtr Pump & Jar Exten	10.154
N	20	37. RESEVOIR, Wswa Fluid	10.154
M	13	38. BODY ASM, Rad	1.219
N	4	39. PLUG, Spl (1/4"-18)	3.880
M	16	40. SEAL, Rad Supt Uprr	1.270
M	16	41. INSULATOR, Rad Supt Uprr	1.270
M	16	42. INSULATOR, Rad Supt Lwr	1.270
M	16	43. SUPPORT ASM, Rad	1.270
M	16	44. BRACKET, Rad Supt Mtg Inter	1.270
M	17	45. ROD, Rad Supt to Fdr Uprr	1.271
N	14	46. CONDENSER ASM, A/C	9.190
N	14	47. BRACKET, A/C Cndsr	9.190
N	19	48. PUMP, Wswa	10.153
		49. SEAL, Fdr Sk Rr	N.S.
G	12	50. SKIRT, Fdr	8.153
		51. PLATE, Fdr Sk Reinf Anc	N.S.
		52. SEAL, Fdr Sk Frt	N.S.
G	12	53. SHIELD ASM, Fdr Dust	8.153
		54. SEAL, Fdr Sk to Frm	N.S.
G	13	55. REINFORCEMENT ASM, Fdr Sk	8.155
G	12	56. LOUVER, Fdr Si	8.147
G	12	57. EMBLEM ASM, Frt Fdr Lwr Pnl	8.147
M	26	58. ORNAMENT, Cornering & Si Mkr Lamp	2.586
M	26	59. LAMP ASM, Cornering & Si Mkr	2.586
G	10	60. PANEL, Fdr Lwr	8.130
G	12	61. EXTENSION, Fdr Sk	8.153
G	13	62. REINFORCEMENT, Fdr Sk	8.155
G	11	63. RETAINER, F/fdr Lwr	8.141
F	11	64. RETAINER, Frt Bpr Air Ctr Dfl	7.833



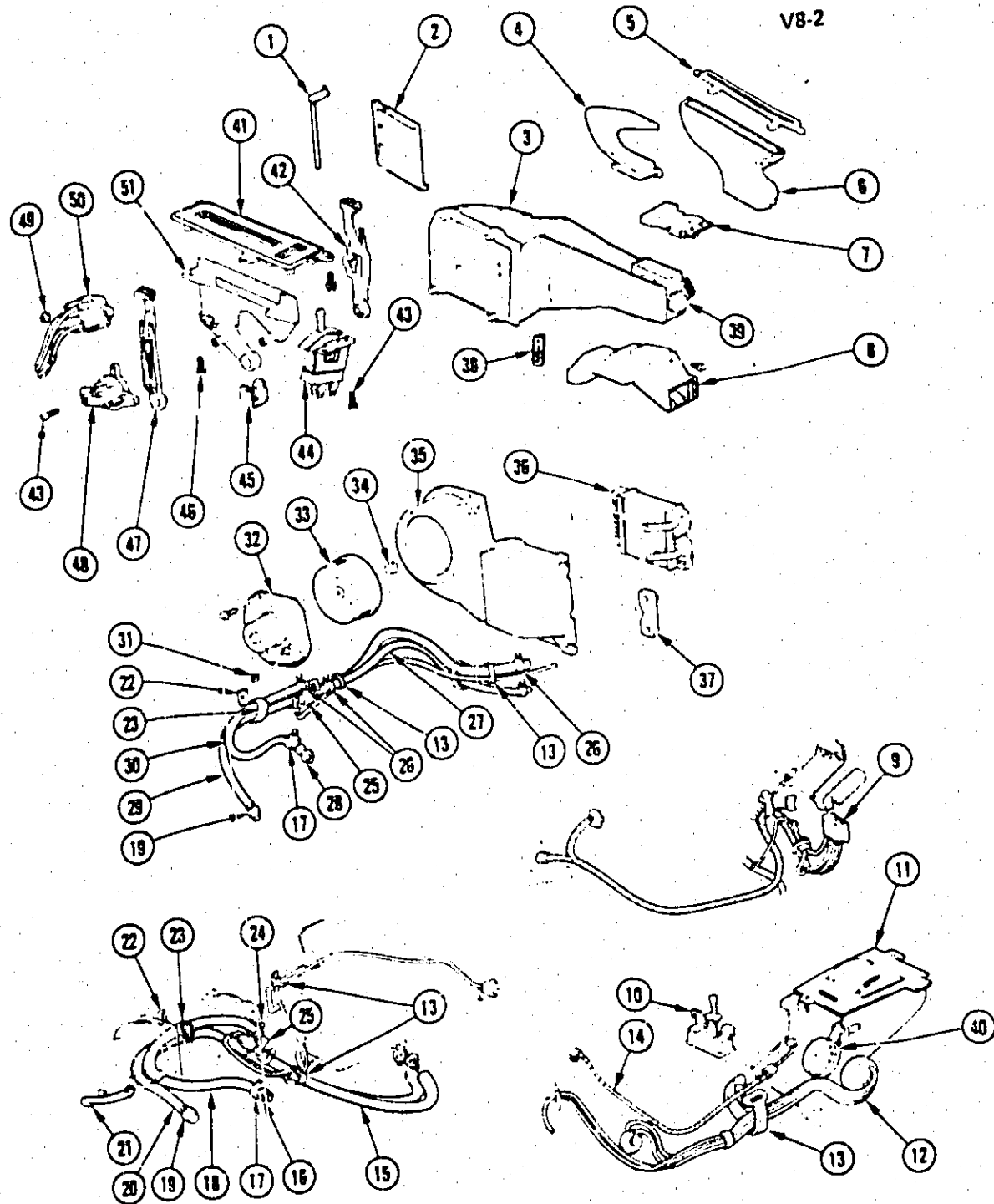
**1963-67 'Y' HEATER SYSTEM**

G 13	1. INSULATOR .....	8.845	7. NUT (1/4"-20) .....	8.921	
N 17	2. DUCT .....	9.779	G 14	8. SWITCH ASM, W/Cable .....	8.852
	3. HEATER & DEFROSTER ASM .....	N.S.	G 15	9. RESISTOR .....	8.855
	4. NUT (1/4"-20) .....	8.921	N 17	10. CABLE ASM, Heater & Defroster .....	9.787
G 13	5. SEAL .....	8.845	M 23	11. HARNESS ASM .....	2.480
G 15	6. CASE ASM (Less Motor) .....	8.857	G 15	12. MOTOR, Heater .....	8.855



**1963-67 'Y' HEATER CONTROLS**

N 17	1. CAM .....	9.786	G 14	9. SWITCH ASM .....	8.852
	2. SCREW (#8-32 x 3/8") .....	8.977	N 17	10. DUCT ASM .....	9.786
	3. NUT (#10-24) Use With 8.932 L/Washer (#10) .....	8.915		11. SCREW (#10-16 x 3/8") .....	8.977
N 17	4. CABLE ASM .....	9.787		12. FUSE .....	8.965
G 14	5. BEZEL .....	8.852		13. NUT (5/32") .....	8.921
	6. NUT .....	N.S.		14. WASHER (7/32") .....	8.929
N 17	7. KNOB .....	9.797	N 17	15. SPRING .....	N.S.
G 14	8. KNOB .....	8.852		16. LEVER ASM .....	9.779
				17. INLET ASM .....	N.S.
				18. BOLT (#10-24 x 5/8") .....	8.902



**1968-73 'Y' HEATER & DEFROSTER SYSTEM**

## 1968-78 'Y' HEATER &amp; DEFROSTER SYSTEM

N 17	1. SHAFT, Temp Valve	9.786
N 17	2. VALVE, Temperature	9.786
G 14	3. CASE, Car Heater	8.854
N 17	4. DUCT, Htr Center Outlet (1968-77)	9.779
N 17	5. GRILLE, Defr Outlet	9.779
V 17	6. DUCT, Htr Defr Air Outlet	9.779
V 17	7. VALVE, W/Seal, Htr Air	9.786
N 17	8. DUCT, Carb Htr	9.786
G 14	9. HARNESS, Htr Wiring	8.852
G 14	10. SWITCH, Htr Blower (1968-76)	8.852
G 14	11. CONTROL ASM, Car Heater (1968-76)	8.849
G 14	12. HOSE, Car Htr Vac Control (1968-76)	8.850
M 25	13. STRAP, Wiring Harness	2.559
N 17	14. CABLE, Control	9.787
G 14	15. HOSE, Car Htr to Valve	8.846
G 15	16. NIPPLE, Car Htr to Inlet Manifold Hose	8.869
M 13	17. CLAMP, Car Htr to Inlet Manifold Hose	1.166
	18. HOSE, Car Htr to Inlet Manif to Water Shut-Off Valve	N.S.
M 13	19. CLAMP, Htr to Valve & Htr Wtr Pump	1.166
	20. HOSE, Car Htr to Water Pump	N.S.
N 14	21. CLIP, Htr Hose to Compressor Fitting	9.242
G 14	22. BRACKET, Htr Hose Clip	8.846
G 14	23. CLIP, Car Htr Hose	8.846
M 13	24. CLAMP, Hose Htr to Nipple	1.166
N 18	25. VALVE, Car Htr Water Shut-Off	9.795
	26. CLAMP, Hose W/P to Htr	N.S.
	27. HOSE, Car Htr to Water Shut-Off Valve	N.S.
G 15	28. NIPPLE, Htr to Thermo Hsg Hose	8.866
	29. HOSE, Htr Return	N.S.
G 14	30. HOSE, Car Htr Inlet Manif to Water Shut Off Valve	8.846
M 24	31. TERMINAL, Blower Ground	2.530
G 15	32. MOTOR ASM, Blower	8.855
G 15	33. FAN, Heater	8.857
G 15	34. NUT, Fan to Mtr	8.857
G 15	35. CASE ASM, Htr Blower	8.857
G 14	36. CORE, Heater	8.854
G 13	37. SEAL, Car Htr Core Pipes	8.845
G 15	38. RESISTOR ASM, Heater	8.855
N 17	39. ACTUATOR, Vacuum Def	9.786
N 17	40. VALVE ASM, Htr & Air (1969-76)	9.786
G 14	41. PLATE, Car Htr Cont Face	8.849
N 16	42. LEVER, Car Htr & A/C Cont Temp	9.278
	43. SCREW (#8-18 x 3/8")	8.977
N 15	44. SWITCH ASM	9.275
N 17	45. CLIP, Car Htr	9.787
	46. SCREW (#8-18 x 1/2")	8.977
N 16	47. LEVER, Car Htr Cont Sel	9.278
G 14	48. SWITCH ASM, Car Htr Vac Cont	8.852
N 17	49. NUT, Push On (5/32")	9.787
G 14	50. HOSE ASM, Car Htr Vac Control	8.850
N 16	51. PLATE, Car Htr	9.279

NOTE: Items #41-51 were used beginning in 1977.

MICROFICHE INDEX  
GROUPS 6.000 THRU 8.000  
FICHE 4 OF 6

GROUP DESCRIPTION	STARTING GRID LOCATION	
	PARTS	ILLUSTRATIONS
- INTRODUCTION .....	A-6	H-2
- GENERAL INFORMATION .....	A-2	H-2
- ALPHABETICAL INDEX .....	C-11	N.A.
- INDEX FOR ADDITIONAL INFORMATION .....	A-5	N.A.
6.000 FRONT SUSPENSION - STEERING .....	E-2	H-6
7.000 FRAME - SPRINGS - SHOCKS - BUMPERS .....	F-2	J-2
8.000 FRONT END SHEET METAL - HEATER .....	G-5	L-2
- OUT OF FICHE CALLS .....	N.A.	M-11

**M-1**

OUT OF

FICHE

CALLS

**0.002 BOLT -NUT -SHIM, Engine Mounting**

53-74	Y	9775107	AR	.72	BOLT (7/16-14 X 4 7/8 H PT 280M PC)
72-82	Y	399803	2	88	BOLT, ENG MT TO ENG BRKT (HEX. 7/16-14 X 4 7/16") (6.509)
74-82	Y	331248	AR	.33	BOLT (3/8-16 X 15/16)(300M)
76-79	Y	334972	2	.58	BOLT (7/16-14 X 5 1/8) (300M)
66-82	Y	3774712	2	.44	NUT (7/16-20)
76-79	Y	6262212	AR	.33	NUT, ENG MT FLANGE HD (7/16-14) (301M)
66-74	Y (427, 454) W/A.C.	3910756	2	2.55	SHIM, FRT MT

**0.029 BRACKET, Engine Mounting**

56-83	Y (8 CYL.)	3786779	1	11.65	BRACKET (BETWEEN WATER PUMP AND ENG)
63-82	Y	3819306	LH	17.25	BRACKET, FRT
63-82	Y	3923680	RH	25.75	BRACKET, FRT
66-79	Y	3913882	1	6.55	BRACKET, TRANS SUPT MT (USAGE 4.083)

**0.679 BOLT-COVER-EXTENSION-SCREW-STUD-UNDERPAN, Flywheel**

NOTE 1: HAS TWO INDENTED THROUGHES ON SURFACE. TRIM EXCESS METAL TO FIT AS NECESSARY.

53-75	Y	3817006	AR	30	BOLT, W/WA (1/4-20 X 7/16)
63-66	Y (283, 327)	354497	1	5.55	COVER, CLU HSG
65-66	Y (396, 427) W/SP. H/PER.	354497	1	5.55	COVER, CLU HSG
66-69	Y (350, 427) W/M.T. (EXC. H.D., AL. CYL. AND CASE)	3843943	1	6.55	COVER, CLU HSG (HAS 2 7/8 DIA ROUND HOLE)
67-69	Y (427) W/H.D., AL. CYL. AND CASE	354497	1	5.55	COVER, CLU HSG
70-72	Y (350) W/H.D. 4-SPD.	354497	1	5.55	COVER, CLU HSG
70-73	Y (350) W/M.T. (EXC. H.D. 4-SPD.)	3843943	1	6.55	COVER, CLU HSG (HAS 2 7/8 DIA ROUND HOLE)
70-74	Y (454) W/M.T. (EXC. H.D.)	3843943	1	6.55	COVER, CLU HSG (HAS 2 7/8 DIA ROUND HOLE)
75-82	Y	14038632	1	9.80	COVER, TRANS CONV
75-81	Y (350) W/M.T.	340252	1	5.55	COVER, CLU HSG
55-62	Y (8 CYL.)	3734908	1	3.10	EXTENSION, CLU HSG FLYWHL (NOTE 1)
62-68	Y W/P.G.	3924780	AR	.36	SCREW, W/WASHER (5/16-18 X 7/8)
75-78	Y	376300	3	.36	SCREW, TRANS. PAN (1/4-20 X 7/8)
80-81	Y	14020511	RH	2.90	STUD, VLV RKR CVR RR OUTBOARD
82	Y	14063748	RH	2.95	STUD, VLV RKR CVR RR OUTBOARD
55-62	Y (8 CYL.) W/M.T.	3704923	1	9.25	UNDERPAN, CLU (15 1/2 O.L.) (NOTE 1)
62-67	Y W/P.G.	3933089	1	9.20	UNDERPAN, TRANS (17 51/64 O.L.)
67	Y (427) W/H/PER. (EXC. 3/2 BC)	3831527	1	18.35	UNDERPAN, TRANS CONV
66-69	Y (M40)	3868810	1	7.70	UNDERPAN, TRANS CONV
70-74	Y (M40)	342467	1	10.10	UNDERPAN, TRANS CONV

**0.852 BRACKET-LEVER, Engine Clutch Control**

56-62	Y	3723603	1	9.80	BRACKET, ENG
63-77	Y	3814217	1	3.50	BRACKET, SHF FRAME
80-81	Y W/M.T.	475390	1	4.35	BRACKET, SHF FRM
55-62	Y	3732881	1	50.00	LEVER, W/SHF (8 7/8 O.L.)
63-66	Y (EXC. 396, 427)	3832857	1	34.75	LEVER, W/SHF
65-66	Y (396, 327)	3872962	1	34.00	LEVER, W/SHF
67-81	Y	3888279	1	33.00	LEVER, W/SHF

**1.166 CLAMP, Hose (Radiator, Heater, A.C.)**

53-81	Y	1470029	AR	1.60	CLAMP, WORM TYPE (FOR 13/16" DIA.)
53-82	Y	2488394	AR	1.60	CLAMP, WORM ADJ TYPE (1 3/8 TO 2 1/4 DIA.)
53-79	Y	3749810	AR	1.60	CLAMP, HEX HD WORM GEAR (1" TO 6")
53-82	Y	22518665	AR	.43	CLAMP, WORM TYPE (.56" TO 1.06" DIA)
56-82	Y	2465838	AR	1.25	CLAMP, WORM TYPE (2 1/2 TO 3 1/2)
61-82	Y	3786275	AR	.45	CLAMP, HOSE (SPRING BAND) YELLOW-PC (.562)
67-79	Y	2488394	AR	1.60	CLAMP, HEX SL HD (1.62-1.94) (TYPE C HOSE)
70-82	Y	14052374	2	N.L.	CLAMP, WORM TYPE (11/16" X 1 5/16" I.D.)
75-79	Y	8868639	AR	1.75	CLAMP, TYPE D (4 9/32 OPEN, 3 31/32 CLOSED)
76-79	Y	477402	AR	1.15	CLAMP (.31 TO .75 DIA.)
82	Y	22518664	AR	.42	CLAMP, HEX HD WORM (1.06" TO 2.00")

**1.203 CAP, Radiator Filler**

NOTE 1: THIS CAP IS TO BE USED WITH ALUMINUM RADIATORS.

55-61	Y (8 CYL.) (EXC. F.I.) (1ST DESIGN)	850795	1	N.L.	CAP, PRESSURE TYPE (7 LB.) (RC-1)
58-59	Y W/F.I.	850800	1	3.88	CAP, PRESSURE TYPE (13 LB.)
60-63	Y (2ND DESIGN)	6410206	1	8.05	CAP, SUPPLY TANK FILLER (RC-26) (15 LB.) (NOTE 1)
64-67	Y (EXC. A.C., 427) (1ST DESIGN)	6410206	1	8.05	CAP, SUPPLY TANK FILLER (RC-26) (15 LB.) (NOTE 1)
64-65	Y W/A.C.	861050	1	N.L.	CAP
66	Y (EXC. 427) (2ND DESIGN)	861050	1	N.L.	CAP
68-72	Y	861050	1	N.L.	CAP
73-82	Y	6410665	1	N.L.	CAP

**1.219 BRACKET-CLAMP-RADIATOR -STRAP-TANK, Engine Cooling**

NOTE: FOR DRAIN COCKS SEE STD. PARTS GROUP 8.951.

NOTE: IN SOME CASES STANDARD RADIATORS ARE REPLACED BY HEAVY DUTY RADIATORS AND RADIATORS WITH OIL COOLERS CAN BE USED IN PLACE OF ONES WITHOUT OIL COOLERS.

NOTE 1: TOP RADIATOR TANK NOT AN INTEGRAL PART OF THIS CORE-SEE 315116 FOR TANK ASM.

NOTE 2: IT MAY BE NECESSARY TO REPLACE THE RADIATOR INLET HOSE WITH PART 3879680.

NOTE 3: USED IN CONJUNCTION WITH SECOND DESIGN CORE 3150916.

NOTE 4: WHEN USED IN PLACE OF 3825093 ON 1963 MODELS 2-3843432 CLAMPS AND 1-3843431 BRACKET SHOULD BE USED.

NOTE 5: DOES NOT INCLUDE OIL COOLER OR FINGER GUARD.

64-66	Y (EXC. 427)	3843431	1	7.35	BRACKET, SUPPLY TANK
67-68	Y (327) (EXC. A.C., T.H.)	3843431	1	7.35	BRACKET, SUPPLY TANK
69-70	Y W/3, H.D. 4-SPD. (EXC. A.C., H/PER. 350)	3843431	1	7.35	BRACKET, SUPPLY TANK
71-72	Y W/M.T. (EXC. A.C., SP. H/PER. 350)	3843431	1	7.35	BRACKET, SUPPLY TANK
83	Y	3843432	1	.67	CLAMP, SUPPLY TANK (NOTE 4)
64-66	Y (EXC. 427)	3843432	1	.67	CLAMP, SUPPLY TANK (NOTE 4)
67-68	Y (327) (EXC. A.C., T.H.)	3843432	1	.67	CLAMP, SUPPLY TANK (NOTE 4)
69-70	Y W/3, H.D. 4-SPD. (EXC. A.C., H/PER. 350)	3843432	1	.67	CLAMP, SUPPLY TANK (NOTE 4)
71-72	Y W/M.T. (EXC. A.C., SP. H/PER. 350)	3843432	1	.67	CLAMP, SUPPLY TANK (NOTE 4)
81-82	Y	3150916	1	855.00	RADIATOR (ALUMINUM) (STMPD. 3150916) (NOTE 1)
63-72	Y W/M.T. (EXC. 396, 427, 454, H.D.)	3155316	1	665.00	RADIATOR (CORE 19" WIDE) (NOTE 5)
65	Y (396)	3007436	1	640.00	RADIATOR (CORE 21" WIDE) (NOTE 2...5)
66-67	Y (427) (EXC. 3/2BC)	3008566	1	282.00	RADIATOR, W/OIL COOLER, W/O FINGER GUARD
67-69	Y (427) W/H.D.	3007436	1	640.00	RADIATOR (CORE 21" WIDE) (NOTE 2...5)
68	Y (EXC. H.D.)	3008566	1	282.00	RADIATOR, W/OIL COOLER, W/O FINGER GUARD
69	Y (427)	3019190	1	251.00	RADIATOR, W/OIL COOLER (CORE 27 1/2" WIDE)
69-72	Y W/T.H. (EXC. 427, 454)	3018802	1	316.00	RADIATOR, W/OIL COOLER (CORE 26" WIDE)
70-72	Y (350) W/H.D. 4-SPD., SP. H/PER.	3007436	1	640.00	RADIATOR (CORE 21" WIDE) (NOTE 2...5)
70-72	Y (454) (EXC. H.D.)	3019190	1	251.00	RADIATOR, W/OIL COOLER (CORE 27 1/2" WIDE)
70-71	Y W/H.D. RAD.	3007436	1	640.00	RADIATOR (CORE 21" WIDE) (NOTE 2...5)
72	Y (350) W/SP. H/PER. (EXC. H.D. 4-SPD.)	3018802	1	316.00	RADIATOR, W/OIL COOLER (CORE 26" WIDE)
73-75	Y	3030199	1	371.00	RADIATOR (MC)
76	Y (350) (EXC. H/PER.) (1ST DESIGN)	3030199	1	371.00	RADIATOR (MC, MD, ME, MG)



**1.219 BRACKET-CLAMP-RADIATOR -STRAP-TANK, Engine Cooling**  
(Con't)

76	Y (350) (EXC. H/PER) (2ND DESIGN)	3035558	1	261.00	RADIATOR (MK) (1 1/2"RAD INL)
76	Y (350) W/H/PER. (EXC. A.C.) (2ND DESIGN)	3035558	1	261.00	RADIATOR (MK, MH, MI, MJ) (1 1/2"RAD INL)
76	Y (350) W/H/PER., A.C. (2ND DESIGN)	3035856	1	331.00	RADIATOR (ML)
77-79	Y (EXC. H.D. RAD.) (1ST DES 1979)	3035558	1	261.00	RADIATOR (MK, MJ) (1 1/2"RAD INL)
77-78	Y (350) W/A.C. (EXC. SP. H/PER.)	3035558	1	261.00	RADIATOR (MK) (1 1/2"RAD INL)
77-79	Y (350) W/SP. H/PER., A.C. (1ST DESIGN 1979)	3035856	1	331.00	RADIATOR (ML) (1 1/2"RAD INL)
77-79	Y W/H.D. RAD. (VO1) (1ST DESIGN 1979)	3035856	1	331.00	RADIATOR (ML) (1 1/2"RAD INL)
79	Y (350 H/PERF) W/A.C. (2ND DESIGN)	3043087	1	317.00	RADIATOR (CODE FW) (1 1/4"RAD INL)
79	Y W/H.D. RAD (VO1) (2ND DESIGN)	3043087	1	317.00	RADIATOR (CODE FW) (1 1/4"RAD INL)
79	Y (EXC H.D. RAD) (VO1) (2ND DESIGN)	3053440	1	265.00	RADIATOR (CODES FF, FN, FP, FR) (1 1/4"RAD INL)
80	Y (305H) (EXC VO8)	3053440	1	265.00	RADIATOR (CODES FF, FN, FP, FR)
80	Y (350) H/PERF W/A.C.	3043087	1	317.00	RADIATOR (CODE FW) (1 1/4"RAD INL)
80-81	Y W/H.D.C.	3043087	1	317.00	RADIATOR (CODE FW) (1 1/4"RAD INL)
80	Y (350) (EXC SP. H/PERF. H.D.C. VO8)	3053440	1	265.00	RADIATOR (CODES FF, FN, FP, FR)
81	Y (EXC H.D.C. VO8)	3053440	1	265.00	RADIATOR (CODE FF, FN, FP, FR)
82	Y	3053440	1	265.00	RADIATOR (CODES FK, FN, FP, FR)
83-86	Y (EXC. 427)	3816659	3	58	STRAP, SUPPLY TANK TO HOSE (2.559)
81-82	Y (2ND DESIGN)	3151018	1	91.50	TANK, SUPPLY (NOTE 3)
83-87	Y (EXC. 427)	3155418	1	79.25	TANK, SUPPLY
88	Y (EXC. A.C.)	3018340	1	93.00	TANK, SUPPLY
69	Y (EXC. T.H. 400, A.C.)	3018340	1	93.00	TANK, SUPPLY
70	Y W/3. H.D. 4-SPD. (EXC. A.C., H/PER. 350)	3018340	1	93.00	TANK, SUPPLY
71-72	Y W/M.T. (EXC. A.C., SP. H/PER. 350)	3018340	1	93.00	TANK, SUPPLY

**1.240 CAP-RESERVOIR, Engine Coolant Recovery**

NOTE 1: 2ND DESIGN 1977 W/SCREW ON CAP & MOLDED CONNECTIONS ON REC TANK HOSE

73-78	Y	340194	1	2.25	CAP, TANK
77-82	Y	14011345	1	1.30	CAP, COOLANT RECOVERY
73	Y	334762	1	7.45	RESERVOIR,
74-77	Y (1ST DESIGN-1977)	339185	1	7.40	RESERVOIR. (NOTE 1)
77-82	Y (2ND DESIGN-1977)	473260	1	6.00	RESERVOIR (LESS CAP) (NOTE 1)

**1.263 BONDING STRIP-EXTENSION-PANEL-REINFORCEMENT-WASHER, Radiator**

NOTE 1: WHEN USED ON EARLY DES. MDLS. IT MAY BE NECESSARY TO DRILL THE ATTACHING HOLES .78 DIA.

NOTE 2: PLASTIC LAMINATE.

63-67	Y	3797481	1	42.25	BONDING STRIP, FRT FDR UPR TO RAD GRILLE UPR PNL
63-67	Y	3853043	1	28.75	BONDING STRIP, FRT FDR UPR REINF AT RAD PNL
77-78	Y W/H D. RAD.	468651	1	26.25	EXTENSION, RAD GRILLE LWR PNL
79	Y (350) W/SP. H/PER., A.C. (EXC. D75)	14004685	1	11.45	EXTENSION, RAD GRILLE LWR PNL
79	Y W/H.D. RAD. (VO1) (EXC. D75)	14004685	1	11.45	EXTENSION, RAD GRILLE LWR PNL
63-67	Y	3831931	1	29.75	PANEL, GRILLE UPR (NOTE 1...2)
63-67	Y	3831932	1	46.75	PANEL, GRILLE LWR (NOTE 1...2)
66-72	Y	3995085	1	46.75	PANEL, GRILLE LWR
73-79	Y	327641	1	46.75	PANEL, GRILLE LWR
68-72	Y	3938095	1	15.95	REINFORCEMENT, FRT FDR, UPR PNL FRT
69-82	Y	14030159	LH	2.30	REINFORCEMENT, FRT FDR SK
69-82	Y	14030160	RH	2.30	REINFORCEMENT, F/END PNL OUTER
80-82	Y	3958325	AR	57	WASHER, RAD SUPT (8.143)

**1.266 GRILLE -HOUSING, Radiator Grille**

NOTE 1: 3875746 TOGETHER WITH 3897389 SUPPORT (2 REQ) MAY BE USED IN PLACE OF 3869148.

62	Y	3799730	1	74.50	GRILLE (ALUMINUM) (BLACK ANODIZED)
65-67	Y	3875746	1	153.00	GRILLE (NOTE 1)
68-69	Y	3966553	LH	18.30	GRILLE, OTR
68-69	Y	3966554	RH	17.35	GRILLE, OTR
68-69	Y	3966555	1	14.65	GRILLE, CTR
70-72	Y	3966772	1	21.75	GRILLE, CTR
73	Y	331834	1	35.50	GRILLE, CTR
73	Y	331835	LH	35.25	GRILLE, OTR
73	Y	331836	RH	35.25	GRILLE, OTR
74	Y	342275	LH	30.50	GRILLE, OTR
74	Y	342276	RH	30.50	GRILLE, OTR
74	Y	342277	1	35.25	GRILLE, CTR
75-79	Y	345487	LH	24.25	GRILLE, OTR
75-79	Y	345488	RH	24.25	GRILLE, OTR
80-82	Y	14011879	LH	24.25	GRILLE, OTR
80-82	Y	14011880	RH	24.25	GRILLE, OTR
70-72	Y	5964683	LH	130.00	HOUSING, W/GRL, PARK LP (2.586)
70-72	Y	5964684	RH	130.00	HOUSING, W/GRL, PARK LP (2.586)

**1.267 BRACKET-NUT-SPACER-SUPPORT, Radiator Grille and Front End Panel**

70-72	Y	3974009	LH	1.25	BRACKET, GRILLE
70-72	Y	3974010	RH	1.25	BRACKET, GRILLE
70-72	Y	3976359	LH	1.05	BRACKET, OTR
70-72	Y	3976360	RH	.65	BRACKET, OTR
75-79	Y	345495	LH	6.45	BRACKET, OTR
75-79	Y	345486	RH	6.45	BRACKET, OTR
75-79	Y	347917	LH	1.50	BRACKET, INR
75-79	Y	347918	RH	1.50	BRACKET, INR
64-66	Y	3831934	2	.35	NUT, CTR SUPT (10.262)
62	Y	3709917	1	.35	SPACER, HORIZONTAL BAR
65-67	Y	3897389	2	2.75	SUPPORT
69	Y (2ND DESIGN)	3953037	LH	4.90	SUPPORT, OTR, OTR (APPROX. 9')
70-72	Y	3963133	LH	1.40	SUPPORT, CTR
70-72	Y	3963134	RH	1.40	SUPPORT, CTR

**1.268 BAR-MOLDING, Radiator Grille**

NOTE 1: CUT AS REQUIRED.

63-64	Y	3830152	RH	5.75	BAR, OTR (NO. 1)
65	Y	3830152	RH	5.75	BAR, OTR (NO. 1, 2, 3) (NOTE 1)
58-62	Y	3740209	LH	21.50	MOLDING, BODY FRT TOP PNL FRT
58-62	Y	3740210	RH	21.50	MOLDING, BODY FRT TOP PNL FRT
58-62	Y	3740211	LH	16.10	MOLDING, BODY FRT BOTTOM PNL FRT
58-62	Y	3740212	RH	16.10	MOLDING, BODY FRT BOTTOM PNL FRT
58-62	Y	3799991	1	65.25	MOLDING, FRAME ASM, UPR
58-60	Y	3799993	1	71.25	MOLDING, FRAME ASM, LWR
63-64	Y	3797235	1	21.60	MOLDING, CTR
68-69	Y	3915847	LH	18.10	MOLDING, OTR
68-69	Y	3915848	RH	18.10	MOLDING, OTR

**1.270 BOLT-BRACKET-CUSHION-FASTENER-INSULATOR-NUT-  
PLATE-RETAINER-SCREW -SHIM -SUPPORT-WASHER, Radiator**

NOTE 1: WHEN RAD. SUPPORT ASM. 3858963 IS USED IN PLACE OF 3874760, BRACKET ASM. 3797221 MUST ALSO BE USED.

NOTE 2: 1ST DESIGN HAS STUDS AT LOWER CORNERS FOR ATTACHMENT OF FAN SHROUD. 2ND DESIGN HAS NO STUDS.

NOTE 3: IT MAY BE NECESSARY TO ADD TWO 1/4" HOLES FOR ATTACHING UPPER RAD. FAN SHROUD.

NOTE 4: 1ST DESIGN FOR 1982 HAS DEPRESSION AREA OF APPROX. 3 1/2 X 3/8. 2ND DESIGN HAS DEPRESSION AREA OF APPROX. 2 3/4 X 3/8.

74-79	Y		340717	AR	1.25	BOLT, RND HD SQ NK (7/16-14 X 1 3/4 PC)
74-79	Y		340718	AR	.54	BOLT, RND HD SQ NK (7/16-14 X 1 3/4 PC)
66-68	Y (427)	(EXC. H.D.)	3886877	LH	3.85	BRACKET, UPR
66-68	Y (427)	(EXC. H.D.)	3886878	RH	3.80	BRACKET, UPR
69	Y	(EXC. H/PER., SP. H/PER. 427)	3966657	1	2.00	BRACKET, SUPT UPR
70	Y	(350) W/M.T. (EXC. A.C., PERF. SUSP.)	3966657	1	3.00	BRACKET, SUPT UPR
71-72	Y	(350) W/SP. H/PER., PERF. SUSP.	3966657	1	3.00	BRACKET, SUPT UPR
71	Y	W/H.D. RAD. (EXC. SP. H/PER. 454)	3966657	1	3.00	BRACKET, SUPT UPR
71-72	Y	W/M.T. (EXC. A.C., H/PER. 454)	3966657	1	3.00	BRACKET, SUPT UPR
73-79	Y		327642	2	2.85	BRACKET, SUPT MT INTER
53-62	Y		367314	AR	.67	CUSHION, SUPT (1 1/2" X 4 X 3/16" THICK)
63-72	Y		3797412	1	.43	CUSHION, UPR
69-72	Y	(350) W/M.T. (EXC. A.C.)	3764424	4	.51	FASTENER, SUPT S; SEAL RET (6.758)
66-67	Y	(427) (EXC. H.D.)	3886891	4	1.00	INSULATOR, LWR SUPT BRKT (5 3/8)
68	Y		3886891	4	1.00	INSULATOR, LWR SUPT BRKT (5 3/8)
69	Y	(427) W/A.C., T.H. 400, H/PER., SP. H/PER.	3886891	4	1.00	INSULATOR, LWR SUPT BRKT (5 3/8)
70	Y	(350) W/M.T., A.C. (EXC. H/PER.)	3886891	4	1.00	INSULATOR, SUPT BRKT (5 3/8)
70-72	Y	(350) W/A.T.	3886891	4	1.00	INSULATOR, SUPT BRKT (5 3/8)
70	Y	(350) W/H/PER.	3886891	1	1.00	INSULATOR, SUPT BRKT (5 3/8)
70-72	Y	(454) (EXC. H.D.)	3886891	4	1.00	INSULATOR, SUPT BRKT (5 3/8)
71-72	Y	(350) W/M.T., A.C.	3886891	4	1.00	INSULATOR, SUPT BRKT (5 3/8)
73-76	Y	(1ST DESIGN)	3886891	4	1.00	INSULATOR, SUPT BRKT (5 3/8)
76	Y	(350) W/SP. H/PER. (2ND DESIGN)	379932	4	.65	INSULATOR, UPR SUPT (4")
76-80	Y	(350) W/SP. H/PER. (EXC. A.C.) (2ND DESIGN)	379932	4	.65	INSULATOR, UPR SUPT (4")
76	Y	(350) W/SP. H/PER. (EXC. A.C.) (2ND DESIGN)	379941	2	.60	INSULATOR, LWR SUPT (4")
76	Y	(350) W/SP. H/PER., A.C. (2ND DESIGN)	458355	2	.60	INSULATOR, LWR SUPT (4")
76	Y	(350) W/SP. H/PER., A.C. (2ND DESIGN)	458356	2	.60	INSULATOR, UPR SUPT (4")
77-80	Y	(350) (EXC. SP. H/PER., H.D. RAD (V01, V08))	379932	2	.65	INSULATOR, UPR SUPT (4")
77-80	Y	(350) (EXC. SP. H/PER., H.D. RAD (V01, V08))	379941	2	.60	INSULATOR, LWR SUPT (4")
77-80	Y	(350) W/SP. H/PER., (EXC. A.C.)	379941	2	.60	INSULATOR, LWR SUPT (4")
77-80	Y	(350) W/SP. H/PER., A.C. (C60)	458355	2	.60	INSULATOR, LWR SUPT (4")
77-80	Y	(350) W/SP. H/PER., A.C. (C60)	458356	2	.60	INSULATOR, UPR SUPT (4")
77-81	Y	W/H.D. RAD (V01, V08)	458355	2	.60	INSULATOR, LWR SUPT (4")
77-82	Y	W/H.D. RAD. (V01, V08) (1ST DES 1982)	458356	2	.60	INSULATOR, UPR SUPT (4") (NOTE 4)
80	Y	(305H) (EXC. V08)	379941	2	.60	INSULATOR, LWR SUPT (4")
81	Y	(EXC. V08)	379932	2	.65	INSULATOR, UPR SUPT (4")
81	Y	(EXC. V08)	379941	2	.60	INSULATOR, LWR SUPT (4")
82	Y	(2ND DESIGN)	379932	2	.65	INSULATOR, UPR SUPT (4") (NOTE 4)
82	Y	W/H.D. RAD (V01, V08) (1ST DESIGN)	458355	2	.60	INSULATOR, LWR SUPT
82	Y	(2ND DESIGN)	379941	2	.60	INSULATOR, LWR SUPT (4")
67-82	Y		3903539	AR	.54	NUT (1/4-20)
69-70	Y	(350) W/M.T., A.C. (EXC. H/PER.)	3952974	RH	6.45	PLATE
69-72	Y	(350) W/A.T.	3952974	RH	6.45	PLATE
69-72	Y	(350) W/A.T.	3952977	LH	4.20	PLATE
69	Y	(427) W/H/PER. SP. H/PER. (EXC. A.C.)	3952976	RH	4.20	PLATE
69	Y	(427) W/A.C., H/PER., SP. H/PER.	3952977	LH	4.20	PLATE
70	Y	(350) W/H/PER.	3952974	RH	6.45	PLATE

1.270

**BOLT-BRACKET-CUSHION-FASTENER-INSULATOR-NUT-  
PLATE-RETAINER-SCREW -SHIM -SUPPORT-WASHER, Radiator  
(Con't)**

70	Y (350) W/M.T., A.C. (EXC. H/PER.)	3952977 LH	4.20	PLATE
70	Y (350, 454) W/H/PER.	3952977 LH	4.20	PLATE
70-72	Y (454) (EXC. H.D. RAD.)	3952970 RH	4.20	PLATE
71-72	Y (350) W/M.T., A.C.	3952974 RH	6.45	PLATE
71-72	Y (350) W/M.T., A.C.	3952977 LH	4.20	PLATE
71-72	Y (454) (EXC. H.D. RAD.)	3952977 LH	4.20	PLATE
73-76	Y	3952970 RH	4.20	PLATE
73-76	Y	3952977 LH	4.20	PLATE
69-79	Y	3966532 AR	.42	RETAINER, SUPT SEAL
77-79	Y	3966532 2	.42	RETAINER, UPR RAD SEAL
82	Y	3966532 2	.42	RETAINER, FRT AIR INT DUCT (PUSH IN)
67-82	Y	3903636 AR	.35	SCREW (1/4-20 X .81)
67-81	Y	3714962 AR	.35	SHIM (1 3/4 X 1 3/4 X 1/16 THK.) (.54 SLOT)
69-73	Y	3952926 4	.35	SHIM, SUPT LWR
63-65	Y (EXC. A.C., 396)	3858963 1	99.50	SUPPORT, (NOTE 1)
69	Y (EXC. A.C., T.H. 400, 427)	3966591 1	102.00	SUPPORT,
69	Y (427) (EXC. H.D.)	339176 1	142.00	SUPPORT
69	Y (427) W/H.D.	3966597 1	117.00	SUPPORT
69	Y W/A.C. (EXC. T.H. 400, 427 H/PER.)	3966594 1	102.00	SUPPORT,
69	Y W/T.H. 400 (EXC. H/PER., SP. H/PER., H.D., 427)	3966594 1	102.00	SUPPORT
70	Y (350) W/M.T., A.C. (EXC. H/PER.)	3966594 1	102.00	SUPPORT,
70-72	Y (350) W/SP. H/PER. (EXC. H.D. 4-SPD.)	3966594 1	102.00	SUPPORT
70	Y (350) W/H/PER.	3966594 1	102.00	SUPPORT,
70-72	Y (350) W/H.D. 4-SPD., SP. H/PER.	3966597 1	117.00	SUPPORT
70-72	Y (454) (EXC. H.D. RAD.)	339176 1	142.00	SUPPORT
70-72	Y W/A.T. (EXC. 454)	3966594 1	102.00	SUPPORT
70-71	Y W/H.D. RAD.	3966597 1	117.00	SUPPORT
70	Y W/3-SPD. (EXC. A.C., H/PER. 350, 454)	3966591 1	102.00	SUPPORT,
71-72	Y (350) W/4-SPD. (EXC. A.C., SP. H/PER.)	3966591 1	102.00	SUPPORT,
71-72	Y (350) W/M.T., A.C.	3966594 1	102.00	SUPPORT,
73-75	Y	339176 1	142.00	SUPPORT, (NOTE 3)
76	Y (1ST DESIGN)	339176 1	142.00	SUPPORT, (NOTE 2)
76	Y (2ND DESIGN)	14045929 1	142.00	SUPPORT, (NOTE 2)
77-81	Y	14045929 1	142.00	SUPPORT,
82	Y	14045929 1	142.00	SUPPORT,
53-77	Y	3833649 AR	.54	WASHER, FL (.468 X 1.76 X .18 STL PL)
80-82	Y	3813432 2	.33	WASHER, RAD FAN SHRD (7.833)

**1.271 BRACE, Radiator and Front End Tie**

80-82	Y	14016173 1	4.60	BRACE
-------	---	------------	------	-------

**1.272 BAFFLE-DEFLECTOR, Radiator Air**

58-62	Y	3740282 1	23.00	BAFFLE, LWR (PLASTIC LAMINATE)
80-82	Y	14015276 1	94.75	DEFLECTOR, LWR

**1.274 ROD-SEAL, Radiator Support Mounting**

63-65	Y	3830916 RH	4.00	ROD, HDLP OPG BODY INR END BRACE
66-67	Y (EXC. H.D. 427)	3886881 LH	3.85	ROD, HDLP OPG BODY INR END BRACE
67	Y (427) W/H.D.	3830916 RH	4.00	ROD, HDLP OPG BODY INR END BRACE
68-70	Y	3919753 1	1.20	SEAL, LWR BAFFLE FRT
68-69	Y (EXC. 427, 454)	3919739 1	2.80	SEAL, UPR BAFFLE
69-75	Y	14016160 2	3.95	SEAL, SUPT SI(3.417)
69	Y (427) W/M.T. (EXC. H.D., A.C.)	14016160 1	3.95	SEAL, UPR LWR SI RH AND LH RAD SUPT (3.417)
70-71	Y	14016160 1	3.95	SEAL, UPR, LWR SI RH & LH RAD SUPT, SUPT TO HOOD (3.417)
70-71	Y (350) (EXC. H.D. 4-SPD.)	331871 1	13.10	SEAL, SUPT TO HOOD
70-71	Y (350) (EXC. H.D. 4-SPD.)	3919739 1	2.80	SEAL, UPR BAFFLE
70-71	Y (350) W/H.D. 4-SPD., SP. H/PER.	347910 1	15.00	SEAL, SUPT UPR
70-71	Y (454) (EXC. H.D. RAD.)	347910 1	15.00	SEAL, SUPT UPR
72-81	Y	331871 1	13.10	SEAL, SUPT TO HOOD
72	Y (454)	14016160 1	3.95	SEAL, UPR(3.417)

**1.274 ROD-SEAL, Radiator Support Mounting (Con't)**

73-74	Y (350)	14016160	1	3.95	SEAL, RAD FAN SHRD LWR SI RAD SUPT UPR LWR ST
73-74	Y (454) (EXC. A.C.)	14016160	1	3.95	SEAL, RAD FAN SHRD LWR, SI RAD, SUPT UPR LWR ST (3.417)
75-76	Y (EXC. A.C.)	347910	1	15.00	SEAL, SUPT UPR
75-77	Y (350)	14016160	AR	3.95	SEAL, SUPT SI (CUT TO SIZE & ADD HOLES AS REQD) (3.417)
76	Y (EXC. A.C.) (2ND DESIGN)	379988	RH	2.55	SEAL, SUPT UPR (5" LONG)
76	Y (350) W/SP.H/PER, W/A.C. (C60) (2ND DES)	458360	RH	2.55	SEAL, SUPT UPR (5" LONG)
76-81	Y W/A.C., H.D. RAD	458359	LH	3.30	SEAL, SUPT UPR
77-81	Y (EXC. A.C. OR H.D.C.V08)	379988	RH	2.55	SEAL, SUPT UPR (5" LONG)
77-81	Y W/A.C., H.D. RAD	458360	RH	2.55	SEAL, SUPT UPR (5" LONG)
78-81	Y (EXC. A.C., H.D. RAD. (V01)	14016160	1	3.95	SEAL, SUPT SI (3.417)
80-82	Y	14016160	2	3.95	SEAL, SUPT SI (3.417)
82	Y (EXC H.D.C. V08)	379987	LH	2.55	SEAL, SUPT UPR
82	Y (EXC H.D.C. V08)	379988	RH	2.55	SEAL, SUPT UPR (5" LONG)
82	Y W/H.D.C. (V08) (2ND DES)	379987	LH	2.55	SEAL, SUPT UPR (1.80" HEIGHT)
82	Y W/H.D.C. (V08) (2ND DES)	379988	RH	2.55	SEAL, SUPT UPR (1.80" HEIGHT)
82	Y W/H.D.C. (V08) (1ST DES)	458359	LH	3.30	SEAL, SUPT UPR (1.10" HEIGHT)
82	Y W/H.D.C. (V08) (1ST DESIGN)	458360	RH	2.55	SEAL, SUPT UPR (1.10" HEIGHT)

**1.277 BRACKET-EXTENSION-SHROUD-SUPPORT, Radiator Fan**

NOTE 1: IT MAY BE NECESSARY TO ADD TWO HOLES FOR ATTACHING TO UPPER SHROUD MOUNTING BRACKET, AND RELOCATE UPPER MOUNTING BRACKET FORWARD AND DRILL TWO NEW HOLES FOR ATTACHING BRACKET.

NOTE 2: WITH ANGULAR TABS FOR SHROUD MOUNTING.

NOTE 3: NO ANGULAR TABS FOR SHROUD MOUNTING.

NOTE 4: 2ND DESIGN 14018585 DOES NOT HAVE AIR DOOR, FOR 1ST DESIGN SEE 14016177 (1930).

69-76	Y (1ST DESIGN-1976)	339177	LH	3.85	BRACKET, FAN SHROUD UPR SUPT (NOTE 3)
69-76	Y (1ST DESIGN-1976)	339178	RH	3.85	BRACKET, FAN SHROUD UPR SUPT (NOTE 3)
76-82	Y (2ND DESIGN-1976)	14016151	LH	3.85	BRACKET, FAN SHROUD SUPT (NOTE 2)
76-82	Y (2ND DESIGN-1976)	14016152	RH	3.85	BRACKET, FAN SHROUD SUPT (NOTE 2)
70-75	Y (350)	331870	1	17.75	EXTENSION, SHROUD
70-74	Y (454) W/A.C.	336152	1	18.20	EXTENSION, SHROUD
71	Y W/H.D. RAD.	331870	1	17.75	EXTENSION, SHROUD
55-62	Y	3770284	1	43.50	SHROUD, UPR (ROUND)
55-62	Y	3770287	LH	20.05	SHROUD, LWR
55-62	Y	3770288	RH	20.05	SHROUD, LWR
66	Y (396)	3872995	LH	38.25	SHROUD (PLASTIC) (ROUND)
66-67	Y (327)	3886885	LH	18.55	SHROUD (PLASTIC)
66-67	Y (327)	3886886	RH	18.55	SHROUD (PLASTIC)
66-67	Y (327)	3888268	1	18.55	SHROUD, UPR (PLASTIC)
66-68	Y (427)	3938940	1	84.50	SHROUD (PLASTIC)
68	Y W/A.C., T.H. (EXC. 427)	3938940	1	84.50	SHROUD (PLASTIC)
68	Y W/A.T. (EXC. A.C.)	3938940	1	84.50	SHROUD (PLASTIC)
69	Y (427) W/A.C., H/PER., SP. H/PER.	3956119	1	46.25	SHROUD (PLASTIC)
69	Y W/A.C. (EXC. 427 H/PER.)	3956109	1	46.25	SHROUD (PLASTIC)
70	Y (350) W/3-SPD (EXC H/PER. 454)	3938940	1	84.50	SHROUD (PLASTIC)
70	Y (350) W/A.T.	3938940	1	84.50	SHROUD (PLASTIC)
70	Y (350) W/M.T., A.C. (EXC. H/PER.)	3956109	1	46.25	SHROUD (PLASTIC)
70	Y (350) W/4-SPD., SP. H/PER. (EXC. H.C. 4-SPD.)	3956109	1	46.25	SHROUD (PLASTIC)
70-72	Y (350) W/A.T.	3956109	1	46.25	SHROUD (PLASTIC)
70	Y (350) W/H/PER	3956109	1	46.25	SHROUD (PLASTIC)
70-72	Y (454) (EXC. A.C., H.D. RAD.)	3956119	1	46.25	SHROUD (PLASTIC)
71	Y (350) W/A.T. (EXC. A.C.)	3938940	1	84.50	SHROUD (PLASTIC)
71-72	Y (350) W/M.T., A.C.	3956109	1	46.25	SHROUD (PLASTIC)
71-72	Y (350) W/SP H/PER (EXC. HD 4-SPD)	3956109	1	46.25	SHROUD (PLASTIC)
71	Y W/H.D. RAD.	3956109	1	46.25	SHROUD (PLASTIC)
72	Y (454) W/A.C.	3956119	1	46.25	SHROUD (PLASTIC)
73-75	Y	339175	1	46.25	SHROUD (NOTE 1)
76	Y (1ST DESIGN)	368881	1	46.25	SHROUD (PLASTIC) (NOTE 3)
76	Y (2ND DESIGN)	14028585	1	46.25	SHROUD, (NOTE 2)
77	Y (350) (EXC SP H/PER)	14028585	1	46.25	SHROUD, (NOTE 2)
78	Y	14028585	1	46.25	SHROUD, (NOTE 2)
79-80	Y (350) W/SP. H/PER.	14016176	1	46.25	SHROUD,
79-80	Y (350) (EXC. SP H/PER.)	14028585	1	46.25	SHROUD, (NOTE 2)
80	Y (305H)	14028585	1	46.25	SHROUD, (NOTE 2)
80	Y (350) (EXC. SP H/PER.) (2ND DESIGN)	14028585	1	46.25	SHROUD (NOTE 4)
81-82	Y	14028585	1	46.25	SHROUD
88-71	Y (EXC. H.D. 427)	3919745	2	7.40	SUPPORT, SI SHROUD LWR
72	Y (350)	3919745	2	7.40	SUPPORT, SI SHROUD LWR

**1.287 BRACKET-EXTENSION-REINFORCEMENT-ROD-SHIELD, Radiator to Grille**

NOTE 1: WHEN USING 3963112 IN PLACE OF 3947978 CUT AS REQ'D FOR EXHAUST PIPE CLEARANCE.

NOTE 2: SHIM AS REQUIRED.

48-78 Y	3978514	2	1.10	BRACKET, U/B SPLASH SHIELD
69-72 Y	3840474	2	2.80	BRACKET, U/B SPLASH SHIELD (8 857)
68-72 Y	3974013	1	26.50	EXTENSION, LWR PNL
73-79 Y (EXC. Z78)	327895	1	23.75	EXTENSION, LWR PNL
73-74 Y (454) W/A.C.	336176	1	5.45	EXTENSION, LWR PNL
80-82 Y	14018063	LH	21.85	EXTENSION, LWR PNL
80-82 Y	14018064	RH	21.85	EXTENSION, LWR PNL
73-74 Y (454) W/A.C.	336177	1	2.45	REINFORCEMENT, LWR PNL EXT
77-79 Y W/H.D. RAD (VO1) (EXC. Z78, D75)	336177	1	2.45	REINFORCEMENT, LWR PNL EXT
78-79 Y W/SP. H/PER., A.C. (EXC. D75)	336177	1	2.45	REINFORCEMENT, LWR PNL EXT
69-72 Y	3974018	1	2.65	ROD, SUPT TO FRT FDR UPR (NOTE 2)
73-79 Y	331841	1	2.65	ROD, SUPT TO FRT FDR UPR
69-75 Y	6263551	LH	3.85	SHIELD, U/B SPLASH
69-75 Y W/A.C.	6263554	RH	7.30	SHIELD, U/B SPLASH
70-72 Y	6263552	RH	3.80	SHIELD, U/B SPLASH
73-75 Y (EXC. A.C.)	6263552	RH	3.80	SHIELD, U/B SPLASH

**1.303 EMBLEM-EMBLEM KIT-NUT, Radiator Grille and Front End Ornamentation**

65-66 Y	3872929	1	9.75	EMBLEM, BODY FRT
67 Y	3894544	1	9.75	EMBLEM, BODY FRT
68-72 Y	3912706	1	9.75	EMBLEM (CROSSED FLAGS)
77-79 Y	379918	1	9.75	EMBLEM, BODY FRT
78 Y	472717	1	12.40	EMBLEM, BODY FRT
80 Y	14018098	1	9.75	EMBLEM, BODY FRT
81 Y	14030129	1	9.75	EMBLEM, BODY FRT
82 YY07	14042290	1	10.40	EMBLEM, BODY FRT
82 Y87	14042292	1	9.45	EMBLEM, BODY FRT
73-74 Y	6259672	1	13.75	EMBLEM KIT, W/NUTS, BODY FRT
75-76 Y	358738	1	18.05	EMBLEM KIT, BODY FRT
75-76 Y	368695	2	.30	NUT, FRT EMBLEM (5/32" X 3/4")

**2.187 COVER-KEY, Ignition and Locks**

53-82 Y	7039425	1	.16	COVER, KEY LK CYL(SQUARE)(BLACK)
53-82 Y	20384745	1	.16	COVER, KEY LK CYL(OVAL)(BLACK)
53-66 Y	3694624	AR	.72	KEY, BLANK (OCTAGON HEAD)
67 Y	1154810	AR	.69	KEY, SQUARE HD (BLANK) (PRIMARY) (B&S 320588A)
67 Y	7033455	AR	.38	KEY, I/P, FRT AND RR COMPT (ROUND HD)
69 Y	1154608	AR	.69	KEY, SQUARE HD, UNCODED
69 Y	1154507	AR	.69	KEY, OVAL HD, UNCODED
70 Y	1154608	AR	.69	KEY, SQUARE HD, UNCODED
70 Y	1154609	AR	.69	KEY, OVAL HD, UNCODED
71 Y	1154810	AR	.69	KEY, SQUARE HD (BLANK)
71 Y	1154811	AR	.69	KEY, OVAL HD (BLANK) (B&S 302589)
72 Y	1154604	AR	.69	KEY, SQUARE HD (BLANK) (PRIMARY)
72-76 Y	1154605	AR	.69	KEY, OVAL HD (BLANK) (SECONDARY)
73 Y	1154606	AR	.69	KEY, SQUARE HD, UNCODED
73 Y	1154607	AR	.69	KEY, OVAL HD, UNCODED
74 Y	1154608	AR	.69	KEY, SQUARE HD, UNCODED
74 Y	1154609	AR	.69	KEY, OVAL HD, UNCODED
75 Y	1154610	AR	.69	KEY, SQUARE HD (BLANK)
75 Y	1154611	AR	.69	KEY, OVAL HD (BLANK) (SECONDARY) (B&S 302589)
76 Y	1154604	AR	.69	KEY, SQUARE HD (BLANK) (PRIMARY)
77 Y	1154607	AR	.69	KEY, OVAL HD (BLANK) (SECONDARY) (B&S 320405A)
78 Y	1154608	AR	.69	KEY, SQUARE HD (BLANK) (PRIMARY) (B&S 320470A)
78 Y	1154609	AR	.69	KEY, OVAL HD (BLANK) (SECONDARY) (B&S 320471A)
79 Y	1154610	AR	.69	KEY, SQUARE HD (BLANK) (PRIMARY) (B&S 320588A)
79 Y	1154611	AR	.69	KEY, OVAL HD (BLANK) (SECONDARY) (B&S 320589A)
80 Y	1154604	AR	.69	KEY, SQUARE HD (BLANK) (PRIMARY) (B&S 320652A)
80 Y	1154605	AR	.69	KEY, OVAL HD (BLANK) (SECONDARY)
81 Y	1154606	AR	.69	KEY, SQUARE HD (BLANK) (PRIMARY) (B&S 320404)
81 Y	1154607	AR	.69	KEY, OVAL HD (BLANK) (SECONDARY) (B&S 320405A)
82 Y	1154608	AR	.69	KEY, SQUARE HD, UNCODED
82 Y	1154609	AR	.69	KEY, BLANK OVAL HEAD(SECONDARY)

**2.188 CYLINDER -CYLINDER KIT -LOCK-SCREW-STUD-SWITCH ,  
Ignition Switch**

NOTE: SEE GROUP 10.553 FOR CYLINDER TUMBLERS.  
NOTE 1: CONSIST OF (1) ONE EACH SLEEVE, ADAPTER, CYLINDER ASM., RING AND WASHER.  
NOTE 2: LESS CYLINDER AND KEYS  
NOTE 3: 1978 1ST DESIGN IDENT BY COLUMN WITH NO LOCK CYLINDER RETAINING SCREW, 1978  
2ND DESIGN HAS A RETAINING SCREW.

53-84	Y	3772085	1	3.75	CYLINDER (UNCODED) (LESS KEYS)
86-87	Y	695450	1	N.L.	CYLINDER (UNCODED) (LESS TUMBLERS, SPRING AND RETAINER)
68	Y	1154183	1	8.85	CYLINDER (UNCODED)
71	Y	3990946	1	16.05	CYLINDER KIT (UNCODED) (NOTE 1)
73	Y	7047678	1	15.10	CYLINDER KIT (UNCODED) (NOTE 1)
69	Y	20071252	1	N.L.	LOCK, W/KEY(CODED)(B&S 607893)
72	Y	20071252	1	N.L.	LOCK, W/KEY (CODED) (B&S 607893) (NOTE 1)
74-78	Y (1ST DESIGN-1978)	20071252	1	N.L.	LOCK, W/KEY (CODED) (B&S 607893) (NOTE 3)
78-79	Y (2ND DESIGN-1978)	7830380	1	N.L.	LOCK, W/KEY (CODED) (B&S 607872) (NOTE 3)
79-82	Y	7830380	1	N.L.	LOCK, IGN(CODED W/KEY)(B&S 607872)
69-82	Y	7806433	AR	.73	SCREW,
79-82	Y	7829779	1	.93	STUD, DIMR AND IGN SW MT
55-57	Y (12 VOLT)	1118512	1	21.25	SWITCH (STAMPED 517) (NOTE 2)
58-59	Y	1118547	1	14.90	SWITCH (STAMPED 547) (NOTE 2)
60-62	Y	1118577	1	12.50	SWITCH (NOTE 2)
65	Y	1118660	1	15.90	SWITCH (NOTE 2)
66-67	Y	1118886	1	16.75	SWITCH
69-78	Y (EXC. T&T WHL.)	1990109	1	10.95	SWITCH, STRG COL IGN
69-82	Y W/T&T WHL.	1990110	1	11.10	SWITCH,

**2.195 ACTUATOR-ACTUATOR KIT-BRACKET-BUZZER-CLIP-  
CONTROLLER-ESCUTCHEON-FLASHER-GASKET-HORN-  
LEVER-PLATE-RACK-RACK KIT-RELAY-RETAINER-  
ROD-SCREW-SECTOR-SECTOR KIT-SHAFT-SHIELD-  
SPRING-SWITCH-SWITCH KIT-WASHER, Ignition Switch Warning,  
Lock or Headlamp**

NOTE: FOR ANY RACKS NOT LISTED, USE ACTUATOR & RACK ASM.  
NOTE 1: ANTI-THEFT SWITCH MOUNTED IN FENDER.  
NOTE 2: ANTI-THEFT SWITCH MOUNTED IN DOOR.  
NOTE 3: 2ND DESIGN IDENTIFIED BY COL WITH LOCK CYLINDER RETAINER SCREW, 1ST DESIGN HAS  
NO RETAINER SCREW.  
NOTE 4: WITH ROUND FLANGE UNDER HEAD.  
NOTE 5: W/OUT ROUND FLANGE UNDER HEAD.

77-82	Y W/T&T WHL.	7827193	1	6.10	ACTUATOR, IGN SW
69-74	Y W/T&T WHL	7819747	1	15.50	ACTUATOR KIT, W/RACK, IGN SW
73-81	Y	336121	1	.64	BRACKET, ANTI-THEFT HOOD SW
74-77	Y	6258291	1	.52	BRACKET, ANTI-THEFT ALARM SW ADJ
72-77	Y	6262883	1	6.50	BUZZER, IGN KEY LOCK
74-78	Y	6258257	1	7.30	BUZZER, ST BELT WARNING(9.765)
77-78	Y	377596	1	13.75	BUZZER, AUDIO ALARM
79	Y (EXC. HDLP WARN)	377596	1	13.75	BUZZER, AUDIO ALARM
68	Y W/ANTI-THEFT	3986825	1	.38	CLIP, HORN FLASHER (2.892)
69-78	Y (EXC. T.W., TEL. WHL.)	7804419	1	1.50	CLIP, IGN KEY WARNING BUZZER SW
69-78	Y W/T.W., TEL. WHL.	7804518	1	1.60	CLIP, IGN KEY WARNING BUZZER SW
77-80	Y	3943810	1	.38	CLIP, ANTI-THEFT HORN FLSHR (2.892)
79-82	Y W/T&T WHL.	7830378	1	1.60	CLIP, BUZZER SW RET
81 82	Y	16012860	1	180.00	CONTROLLER, THEFT DETER
70-71	Y	3897449	1	2.60	ESCUTCHEON, ANTI-THEFT ALARM SYSTEM SW (10.537)
74-82	Y	491391	1	3.15	FLASHER, ANTI-THEFT HORN (2.575)
72	Y	4587931	1	.54	GASKET, ALARM SYSTEM SW (12.247)
68-71	Y W/ANTI-THEFT	1892247	1	23.35	HORN, VIB. (HI NOTE) (2.810)
74-80	Y W/ANTI THEFT (UAG)	1892246	1	N.L.	HORN, ALARM(C NOTE)(2.810)
74-80	Y W/ANTI-THEFT	1892247	1	23.35	HORN, HIGH F NOTE(2.810)
77-79	Y (EXC. T&T WHL)	7819515	1	2.95	LEVER, KEY REL
78-79	Y W/T.W., TEL. WHL.	7815898	1	7.85	LEVER, KEY REL
69-71	Y (EXC. T.W., TEL. WHL.)	7804761	1	2.70	PLATE, RACK GUIDE

2.195

**ACTUATOR-ACTUATOR KIT-BRACKET-BUZZER-CLIP-  
CONTROLLER-ESCUTCHEON-FLASHER-GASKET-HORN-  
LEVER-PLATE-RACK-RACK KIT-RELAY-RETAINER-  
ROD-SCREW-SECTOR-SECTOR KIT-SHAFT-SHIELD-  
SPRING-SWITCH-SWITCH KIT-WASHER, Ignition Switch Warning,  
Lock or Headlamp (Con't)**

72-78	Y	3828546	1	1.00	PLATE, ANTI-THEFT HORN MT(11.375)
77	Y W/T&T WHL	7819320	1	2.15	PLATE, INHIBITOR RET
77	Y (EXC. T&T WHL)	7810020	1	2.70	RACK, IGN SW ACTR
77-82	Y W/T&T WHL	7827157	1	2.70	RACK, S'W ACTR
78-82	Y W/T& WHL	7844851	1		RACK KIT, IGN SW ACTR
68-71	Y	1115889	1	12.95	RELAY, W/ BUZZER (2.8 15)
68-71	Y W/ANTI-THEFT	1115878	1	10.20	RELAY, ANTI-THEFT HORN (3 TERMINAL) (2.8 15)
74-77	Y W/ANTI-THEFT	1115878	1	10.20	RELAY, ANTI-THEFT HORN (3 TERMINAL) (2.8 15)
77-80	Y W/ANTI-THEFT	356284	1	17.05	RELAY, ANTI-THEFT HORN (4 TERMINAL) (2.8 15)
81-82	Y	1618422	1	4.95	RELAY, THEFT DETER
69-78	Y W/T.W., TEL. WHL	7804911	1	1.20	RETAINER, IGN SW ACTR SECTOR
70-72	Y	9728247	1	1.20	RETAINER, ANTI-THEFT ALARM SYSTEM SW
72	Y	9728247	1	1.20	RETAINER, ANTI-THEFT LK UNIT (10.55 1)
69-78	Y (EXC. T.W., TEL. WHL)	7804118	1	8.80	ROD, W/RACK, IGN SW ACTR
69-71	Y (EXC. T.W., TEL. WHL)	7807282	1	12.30	ROD, W/RACK, IGN SW ACTR
77	Y (EXC. T.W., TEL. WHL)	7827138	1	5.25	ROD, IGN SW ACTR
79-82	Y W/T&T WHL	7830378	1	2.10	SCREW, CYL LOCK RET
69-78	Y (EXC. T.W., TEL. WHL)	7812526	1	2.85	SECTOR, IGN SW ACTR (NOTE 3)
69-78	Y W/T.W., TEL. W	7805158	1	3.90	SECTOR, IGN SW ACTR
77-82	Y W/T&T WHL	7827156	1	2.85	SECTOR, IGN SW ACTR
79	Y (EXC. T&T WHL)	7836245	1	4.05	SECTOR KIT, IGN SW ACTR (NOTE 3)
72-82	Y W/T.W., TEL. WHL	7809368	1	7.00	SHAFT, IGN SW SEL DR (NOTE 4)
77-82	Y W/T&T WHL	7837486	1	7.00	SHAFT, STRG COL IGN SW SEL DRIVE (NOTE 5)
74-77	Y	342230	1	10.70	SHIELD, ANTI-THEFT LK SW
69-78	Y (EXC. T.W., TEL. WHL)	7804410	1	1.30	SPRING, IGN SW RACK PRELOAD
69-82	Y W/T&T WHL	7804908	1	1.25	SPRING, IGN SW RACK PRELOAD
69-78	Y (EXC. T.W., TEL. WHL)	7804414	1	5.50	SWITCH, IGN KEY WARNING BUZZER
69-78	Y W/T.W., TEL. WHL	7811093	1	4.85	SWITCH, STRG COL IGN KEY WRG BUZZER
70-77	Y W/ANTI-THEFT (1ST DESIGN-1977)	374169	1	12.55	SWITCH, THEFT ALARM LOCK (NOTE 1)
74-78	Y	3951239	1	4.55	SWITCH, ANTI-THEFT ALARM PROTECTOR (2.755)
75-80	Y	6258295	1	1.70	SWITCH, DR AJAR WARNING LP (11.950)
75-82	Y	6258295	1	1.70	SWITCH, ANTI-THEFT HOOD (11.950)
77	Y W/ANTI-THEFT (2ND DESIGN)	14009887	1	15.65	SWITCH, W/WIRE, ANTI-THEFT (NOTE 2)
77-82	Y W/T&T WHL	7811092	1	4.15	SWITCH, IGN KEY WARNING BUZZER
78-80	Y	14009887	1	15.65	SWITCH, W/WIRE, DR ANTI-THEFT
81-82	Y	14038094	1	15.65	SWITCH, W/WIRE, DR ANTI-THEFT (B&S 592399)
81-82	Y	14048377	1	15.65	SWITCH, W/WIRE, SI DR ANTI-THEFT
81-82	Y (EXC ELEC DR LK)	14032011	LH	22.65	SWITCH, THEFT DETERRENT DR LK
81-82	Y (EXC ELEC DR LK)	14032012	RH	22.65	SWITCH, THEFT DETERRENT DR LK
82	Y (07)	14057520	1	21.70	SWITCH, THEFT DETERRENT HATCH
68-69	Y W/ANTI-THEFT	3937671	1	8.70	SWITCH KIT, THEFT ALARM LOCK
77-78	Y (EXC. TILT WHL)	7811188	1	1.20	WASHER, KEY REL



## 2.275 GENERATOR , Engine Electrical

NOTE: MOUNTINGS ON REBUILT GENERATORS ARE THE SAME AS THOSE USED ON NEW GENERATORS. REFER TO TYPE NUMBERS FOR SIMILARITY.  
NOTE: FOR GENERATORS ACCEPTABLE FOR EXCHANGE CREDIT SEE EXCHANGE SECTION OF THE DEALER PRICE SCHEDULE.

NOTE 1: LIST PRICE SHOWN DOES NOT INCL. DE EXCHANGE CHARGE. REFER TO DEALER PARTS PRICE SCHEDULE FOR EXCHANGE PRICE.

NOTE 2: REPLACES 37 AMP. GENERATOR 1933776.  
NOTE 3: LESS PULLEY AND FAN.

62-68	Y W/42 AMP	1100847	1	150.50	GENERATOR (NEW) (NOTE 1...3)
62-68	Y W/52 AMP, A.C.	1963772	1	60.70	GENERATOR (REMANUFACTURED) (NOTE 1)
63-76	Y W/42 AMP (EXC. A.C.)	1848935	1	66.05	GENERATOR (REMANUFACTURED) (NOTE 1... 2)
69-81	Y W/37. 42 AMP	1105380	1	205.70	GENERATOR (NEW) (NOTE 1)
69-75	Y W/37. 42 AMP (EXC. A.C., H/PER.)	1979858	1	N.L.	GENERATOR (REMANUFACTURED) (NOTE 1)
69-80	Y W/55. 63 AMP	1105380	1	205.70	GENERATOR (NEW) (NOTE 1)
69-79	Y W/61 AMP, A.C.	1979865	1	N.L.	GENERATOR (REMANUFACTURED) (NOTE 1)
73-78	Y W/55 AMP	1976083	1	91.58	GENERATOR (REMANUFACTURED)
75-77	Y W/80 AMP	1101061	1	377.60	GENERATOR (NEW)
75-78	Y W/80 AMP	1979868	1	N.L.	GENERATOR (REMANUFACTURED)
78-81	Y W/42 AMP	1979858	1	N.L.	GENERATOR (REMANUFACTURED)
79-80	Y W/70 AMP	1101040	1	256.70	GENERATOR (NEW) (NOTE 1)
79-82	Y W/70 AMP	1984272	1	195.30	GENERATOR (REMANUFACTURED)
80-82	Y W/63 AMP	1979865	1	N.L.	GENERATOR (REMANUFACTURED)
80-82	Y W/70 AMP	1101070	1	289.95	GENERATOR (NEW) (NOTE 1)
81	Y W/55. 63 AMP	1105380	1	205.70	GENERATOR (NEW)

## 2.277 BOLT-BRACKET-SCREW-SPACER-SUPPORT-WASHER , Generator Mounting

72	Y (454)	9430724	1	1.00	BOLT, GEN. TO BRACKET (3/8-16 X 3 3/4) (6.606)
63-65	Y (EXC. A.C., 396)	3880481	1	11.00	BRACKET
63	Y W/A.C.	3825461	1	10.70	BRACKET
66-74	Y (427, 454) W/P.S.	3878238	1	12.45	BRACKET
66-74	Y (427, 454) (EXC. P.S.)	3882810	1	24.95	BRACKET
74	Y (350) (1ST DESIGN)	14015539	1	12.05	BRACKET (MALLEABLE IRON)
74	Y (350) (2ND DESIGN)	14015510	1	12.30	BRACKET (ALUMINUM)
75-82	Y (1ST DESIGN)	14015539	1	12.05	BRACKET (MALLEABLE IRON)
75-82	Y (2ND DESIGN)	14015510	1	12.30	BRACKET (ALUMINUM)
75-82	Y	10008893	AR	.36	SCREW, SPL WA HEX HD (M8X 1.25-6G THD)
80-82	Y	10008894	AR	.59	SCREW, W/SPL WA HEX HD (M10 X 1.5-6G)
63-65	Y (EXC. A.C.)	3825451	1	.44	SPACER, BRKT
63	Y W/A.C.	3825451	1	.44	SPACER, BRKT
65-67	Y (327) W/SP. H/PER., P.S. (EXC. A.C.)	3825451	1	.44	SPACER, BRKT
65-67	Y (396, 427) (EXC. P.S.)	3825451	1	.44	SPACER, BRKT
66	Y (EXC. 427)	3825451	1	.44	SPACER, BRKT
66	Y (327) W/SP. H/PER. (EXC. A.C., P.S.)	3825451	1	.44	SPACER, BRKT
68-69	Y (427) (EXC. P.S.)	3825451	1	.44	SPACER, BRKT
70-72	Y (454)	3825451	1	.44	SPACER, BRKT
73-79	Y	3825451	1	.44	SPACER, BRKT
74-79	Y	6271084	AR	4.05	SPACER (.42 I.D. X .69 O.D. X .256 LONG)
76-78	Y	3977982	1	1.15	SPACER, GENERATOR (7/16 I.D. X 11/16 O.D. X 7/8 LONG)
65	Y (327) W/A.C.	3846565	1	2.70	SUPPORT, GEN MT (ON EXH MANIF)
66-68	Y (327)	3846565	1	2.70	SUPPORT, GEN MT (ON EXH MANIF)
68-74	Y (427, 454) W/P.S. (EXC. H.D.)	3878240	1	2.35	SUPPORT, BRKT LWR
69-71	Y (350)	3846565	1	2.70	SUPPORT, GEN MT (ON EXH MANIF)
70-74	Y (454) W/P.S.	3986109	1	2.45	SUPPORT, BRKT UPR
53-62	Y	3682643	2	.28	WASHER (5/16)
58-81	Y	537209	AR	.28	WASHER (11/32 X 3/4 X 29/32)

## 2.280 NUT-WASHER, Generator Rotor Shaft

53-72	Y	3947122	1	1.20	NUT (5/8 X 20 X 1 3/8)
53-82	Y W/97 AMP	1915172	1	.93	NUT, D.E. 5/8-20 THD. 1/4)
53-82	Y	1941978	1	.39	WASHER, SPRING (DRIVE END) (WAVE)

**2.459 ACTUATOR-PIN-PIVOT-PIVOT KIT-PLATE-ROD-SPRING-SWITCH . Headlamp Dimmer**

NOTE 1: 1955-56 MODEL INITIAL INSTALLATION ALSO REQUIRES CONNECTOR 2962449.

77-82	Y W/T&T WHL.	7827028	1	3.20	ACTUATOR, DIMR SW ROD
78	Y (EXC. T&T WHL.)	7830384	1	2.95	PIN, STRG COL DIMR SW ACTR PIV
79-82	Y W/T&T WHL.	7829787	1	2.95	PIN, DIMR SW ACTR PIVOT
79	Y (EXC. T&T WHL.)	7832881	1	N.L.	PIVOT, STRG COL SW ACTR
78	Y W/T&T WHL. (1ST DESIGN)	7833702	1	N.L.	PIVOT KIT, DIMR ACTR (THREADED PIVOT W/TAPPED HOUSING)
78	Y W/T&T WHL. (2ND DESIGN)	7833704	1	N.L.	PIVOT KIT, W/PIN, DIMR ACTR (PRESSED ON PIVOT PIN)
79-82	Y W/T&T WHL.	7833283	1	9.55	PIVOT KIT, W/PIN DIMR ACTR
63-77	Y	344842	1	.64	PLATE, SW MT
77	Y (EXC. T&T WHL.)	7827145	1	3.70	ROD, DIMR SW ACTR
77	Y W/T&T WHL.	7827004	1	4.45	ROD, DIMR SW ACTR
77	Y W/T&T WHL.	7829534	1	7.00	ROD, DIMR SW
78	Y (EXC. T&T WHL.)	7829831	1	3.70	ROD, DIMR SW
78	Y (EXC. T&T WHL.)	7829836	1	4.45	ROD, DIMR SW ACTR
78-82	Y W/T&T WHL.	7830222	1	2.60	ROD, DIMR SW
77-82	Y W/T&T WHL.	7828351	1	.81	SPRING, PIN PRELOAD DIMR SW
55-62	Y	1997023	1	11.90	SWITCH (2 HOLE MT FLANGE) (NOTE 1)
63-78	Y	1997043	1	N.L.	SWITCH
77-78	Y	7829781	1	20.30	SWITCH
79-82	Y	7832411	1	17.70	SWITCH

**2.480 BRACKET-CLIP-EXTENSION-GROMMET-HARNESS-MODULE-WIRE, Chassis Wiring**

NOTE 1: WHEN USING 6297660 IN PLACE OF 6297583, USE CONNECTOR ON CLUTCH SAFETY SWITCH LEAD OF 6297583 IN PLACE OF CONNECTOR SAME LEAD ON 6297660.

NOTE 2: USED ON VEHICLES HAVING A NYLON TUBE TO OIL GAGE.

NOTE 3: MAKE JUMPER WIRE FOR R.H. HORN.

NOTE 4: COURTESY LP TIMER MTD. BEHIND INST. PNL. AND LEFT OF STRG. COL.

NOTE 5: COURTESY LP TIMER MTD. BEHIND INST. PNL. AND RIGHT OF THE GLOVE BOX.

NOTE 6: ANTI-THEFT SWITCH MOUNTED IN FENDER.

NOTE 7: ANTI-THEFT SWITCH MOUNTED IN DOOR LOCK.

NOTE 8: SALVAGE IGNIT SWITCH LP & BRKT FROM OLD HARN OR MAKE NEW BRACKET & INSTALL ON NEW HARN.

82	Y	14043271	1	.31	BRACKET, I/P WRG HARN
80	Y W/FED	356298	1	.67	CLIP, I/P WRG HARN (2.559)
64-68	Y	2987817	2	15.00	EXTENSION, HDLP HARN(MAIN WRG)
68-75	Y	3919057	2	.36	GROMMET (MAIN WRG)(9.775)
58-62	Y	2970213	1	11.75	HARNESS, REG TO GEN (CVR 11 O.L.) (SEGMENTED)
58-62	Y	2980982	1	219.00	HARNESS (CVR 148 O.L.) (W/JUNC BLK) (FWD LP & INST CSTR) (SEGMENTED)
63-65	Y	2983580	1	60.00	HARNESS, HDLP(SEGMENTED)
63	Y	2983972	1	351.00	HARNESS, I/P WRG (NOTE 8)
65-68	Y	2988865	1	351.00	HARNESS, I/P WRG
68	Y	6289375	1	84.25	HARNESS (MAIN WRG)
67	Y	6291166	1	351.00	HARNESS, I/P WRG
67	Y	6292088	1	112.00	HARNESS (MAIN WRG)
70-71	Y	8901918	1	220.00	HARNESS (MAIN WRG) (NOTE 3)
70-74	Y W/ELEC WDO	8901971	1	84.00	HARNESS, WDO REG (SEGMENTED) (13.090)
71-73	Y W/A.C.	8908175	1	435.00	HARNESS, I/P WRG
72-73	Y	8908264	1	191.00	HARNESS (MAIN WRG)
73	Y W/A.C.	8908341	1	435.00	HARNESS, I/P WRG (NOTE 2)
74	Y W/A.C.	8908357	1	435.00	HARNESS, I/P WRG
75	Y	8908472	1	220.00	HARNESS (MAIN WRG)
75	Y W/A.T.	12001665	1	394.00	HARNESS, I/P WRG
75	Y W/ELEC WDO	12003664	1	125.00	HARNESS, WDO REG (SEGMENTED) (13.090)
76	Y	8918198	1	224.00	HARNESS (MAIN WRG)
76	Y W/A.T.	8918199	1	353.00	HARNESS, I/P WRG
76	Y W/M.T.	8918200	1	353.00	HARNESS, I/P WRG
77	Y (1ST DESIGN)	8918431	1	224.00	HARNESS, FWD LP WRG (MAIN WRG) (NOTE 6)
77	Y (1ST DESIGN)	12003773	1	353.00	HARNESS (SEGMENTED) (NOTE 6)
77	Y (2ND DESIGN)	12005302	1	202.00	HARNESS, FWD LP WRG (MAIN WRG) (NOTE 7)
77	Y (2ND DESIGN)	12005303	1	353.00	HARNESS (SEGMENTED) (NOTE 7)

**2.48G BRACKET-CLIP-EXTENSION-GROMMET-HARNESS-MODULE-WIRE, Chassis Wiring (Con't)**

78	Y	12005321	1	352.00	HARNESS, I/P WRG (NOTE 4)
78-79	Y	12005527	1	224.00	HARNESS, GEN & FWD LP(MAIN WRG)
78	Y	12005550	1	353.00	HARNESS, I/P WRG (NOTE 5)
79	Y (EXC PWR DR LKS, PWR WIND, DELAY DOME LPS, PULSE WPRS)	12005800	1	372.00	HARNESS, I/P WRG
79	Y W/PWR DR LKS, ELEC WDO, DELAY DOME LPS.	12005741	1	372.00	HARNESS, I/P WRG PULSE WPR
80	Y W/A.T. (MV4, M33)	12005831	1	397.00	HARNESS, I/P
80	Y W/M.T. (M18)	12005830	1	427.00	HARNESS, I/P
80	Y (305) W/CLSD LOOP	12005338	1	125.00	HARNESS, I/P WRG
80	Y (305) W/CLSD LOOP	12005895	1	132.00	HARNESS, CLOSED LOOP ENG COMPT (MAIN WRG)
80	Y (305) W/CLSD LOOP	12005898	1	381.00	HARNESS, CLOSED LOOP I/P(MAIN WRG)
81	Y W/A.T. (MX3)	12018483	1	427.00	HARNESS, I/P
81	Y W/CLSD LOOP	12018302	1	397.00	HARNESS, CLOSED LOOP I/P(MAIN WRG)
81	Y W/CLSD LOOP	12018304	1	178.00	HARNESS, CLOSED LOOP ENG COMPT (MAIN WRG)
81	Y W/M.T. (M18), CLSD LOOP	12018303	1	397.00	HARNESS, CLOSED LOOP I/P(MAIN WRG)
81	Y W/M.T. (M18)	12018388	1	389.00	HARNESS, I/P
82	Y	12018888	1	375.00	HARNESS, ELEK CONT MDL
82	Y W/A.T. (MD8)	12018716	1	598.00	HARNESS, I/P
82	Y W/A.T. (MD8), FED, CALIF	12027103	1	624.00	HARNESS, I/P WRG
82	Y W/STEREO, C.B.	12018405	1	224.00	HARNESS, GEN & FWD LP
82	Y (EXPORT, CANADA)	12018876	1		HARNESS, I/P
79-80	Y	470354	1	3.10	MODULE, DM LP JPR(MAIN WRG)
73-79	Y	12007925	1	8.45	WIRE, BRK COMB VLV JPR ADAP (MAIN WRG)
78	Y W/DELAYED DOME LP (1ST DESIGN)	12005388	1	23.55	WIRE, CTSY LP DELAY TIMER (MAIN WRG) (NOTE 4)
78	Y W/DELAYED DOME LP (2ND DESIGN)	12005554	1	23.55	WIRE, CTSY LP DELAY TIMER (MAIN WRG) (NOTE 5)
80-81	Y	12005893	1	5.40	WIRE, OIL PRESS SENDER(MAIN WRG)
80-82	Y W/STEREO (UM2, UN3, UM4, UM5, UM6, UN5)	12005917	1	55.25	WIRE, BAT CHR G CIRC(MAIN WRG)
80-81	Y W/STEREO (UM2, UN3, U58, CB, U89)	12018015	1	225.00	WIRE, GEN & FWD LP WRG(MAIN WRG)
80	Y (350) W/SP H/PERF	12005891	1	46.50	WIRE, STARTER MTR SOL JPR (MAIN WRG)
81	Y	12018355	1	38.00	WIRE, ANTI THEFT DISARM DR LK JPR I/P WRG

**2.530 CONDUIT-CONNECTOR-REPAIR KIT-TERMINAL, Chassis Electrical**

NOTE: FOR ILLUSTRATION ON TERMINALS AND CONNECTORS SEE STANDARD PARTS CATALOG.

53-82	Y	8919354	1	15.55	CONDUIT (15 FT. X .350 I.D.)
53-82	Y	8919355	1	19.25	CONDUIT (15 FT. X .500 I.D.)(CUT TO FIT)
53-82	Y	8919358	1	29.50	CONDUIT (15 FT. X .750 I.D.)
53-79	Y	2984570	AR	1.15	CONNECTOR, BODY (4-CONTACT)
53-79	Y	2984958	AR	1.65	CONNECTOR, BODY (3-CONTACT)
53-82	Y	12020132	AR	3.15	CONNECTOR, FUEL SOLENOID (TYPE 7 MALE)
58-63	Y	2973871	1	.55	CONNECTOR, LIGHT SW, 56 SERIES (7 FEMALE TERMINALS)
65	Y (398) W/SP. H/PER.	2984528	1	.45	CONNECTOR, IGN SW LEAD OF I/P HARN
67-76	Y W/ELEC. WDO.	6288909	2	.52	CONNECTOR, WDO WIRING HARN
68-77	Y	3927320	1	.62	CONNECTOR, STOP LP SW CAPAC
73-77	Y W/A.C.	2977253	1	.22	CONNECTOR, WIRING HARN (1 FEMALE TERMINAL)
74-82	Y	8900826	1	.96	CONNECTOR, SEAT LAP BELT WIRE
75-78	Y	2984528	1	.45	CONNECTOR, SEAT SEP COMPT LP SW (56 SERIES-1 MALE TERMINAL)
77-80	Y	2977048	1	.30	CONNECTOR, ANTI-THEFT SW (ANTI-THEFT SWITCH MOUNTED IN DOOR) (USE W/475924)
78	Y W/ELEC. DR. LKS.	2984883	1	.58	CONNECTOR, INR WIRING HARN
79-82	Y W/ILLUM. VAN. (D84)	2984883	1	.58	CONNECTOR, I/P WIRING HARN VAN MIR WIRE
75-79	Y	1684873	AR	42.50	REPAIR KIT, ALUM WIRE THERM REPAIR (EMER)
82	Y	1684873	AR	42.50	REPAIR KIT, ALUM WIRE THERM REPAIR (EMER)
65-67	Y	5640018	AR	.33	TERMINAL, INST CSTR GROUND TERM
67	Y W/T. IGN.	2971962	1	.17	TERMINAL, IGN SW TO IGN PULSE AMPLIFIER HARN (MALE) (USED W/12 GAGE WIRE)
70-76	Y	5640018	1	.33	TERMINAL (39/64 O.L.)
74-76	Y	2973324	1	.39	TERMINAL, DOME LP WIRE
75-79	Y W/A.C.	3033932	1	1.10	TERMINAL, BLO MTR
77-82	Y	3033932	1	1.10	TERMINAL, BLO GRD

## 2.559

BRACKET-CLIP-COVER-NUT -SHIELD-STRAP, Chassis Wiring  
Harness

75-76	Y	495169	2	.30	BRACKET, VAC HOSE RET TO RKR CVR
79	Y	495169	AR	.30	BRACKET, WIRE VLV CVR
81	Y	14032056	1	.63	BRACKET, START MTR SOL JPR WIRE
82	Y	14047168	1	.63	BRACKET, START MTR SOL JPR WIRE
53-82	Y	6270410	1	.38	CLIP, TUBE (.700-HOLE .344 ID-PH-RUB CTD)
64-82	Y	340818	AR	.25	CLIP, A/C EVAP OTLT HOSE (CLOSED (PE))
65-80	Y	9798433	AR	.44	CLIP, HDLP, ENG WRG, GEN AND FWD LP
68-72	Y	3927327	1	.44	CLIP, WOO REG WRG HARN CLIP, FUEL TANK MTR WRG
71-77	Y	9798433	AR	.44	CLIP, WRG HARN TO CNSL, A/C WRG HARN
74-79	Y	339856	AR	.30	CLIP, CLOSED (3/4 X 11/32 HOLE) (PHOS RUB)
74-77	Y	3833476	1	.44	CLIP, I/P WRG HARN TO PARK BRAKE
76-78	Y	3866187	1	.44	CLIP, I/P WIRE HARN TO PARK BRK BRKT
76-79	Y	3954218	AR	.57	CLIP, PARK LP WIRE
77-82	Y	3901794	3	.54	CLIP, ENG WRG HARN TO DASH
77-82	Y (EXC H/PER.)	3901794	1	.54	CLIP, START MTR SOL JPR WIRE
78	Y	527861	2	.44	CLIP, A/C WRG HARN TO MOD DUCT
78-80	Y	9798835	2	.38	CLIP, I/P WRG HARN
78-79	Y W/M.T. (M20) (EXC. SP. H/PER.)	368017	AR	.44	CLIP, ENG WRG HARN
79-81	Y W/M.T. (M18, M20, M21)	3901794	1	.54	CLIP, I/P WRG HARN TO PLNM
80	Y W/CLSD LOOP	3825416	1	1.15	CLIP, I/P WRG HARN
81-82	Y	3825416	1	1.15	CLIP, I/P WRG HARN
82	Y	570204	AR	1.20	CLIP, S TYPE (3/8 & 5/16 WIRE .08 THK PNL PC)
82	Y	2281863	AR	.18	CLIP, OPEN 3/4 CABLE, 13/32 ATCH HOLE, ZC PLTD, RUB CTD, WIRE HARN ATTACH
82	Y	3901794	1	.54	CLIP, I/P WRG HARN
82	Y	14043252	1	.35	CLIP, ELEK CONT MDL HARN
82	Y W/FED. CALIF	342676	AR	.36	CLIP, ELEC CONT MDL HARN (7.346)
82	Y	14043253	1	1.25	COVER, ELEC CONT MODULE WRG
78-82	Y	10010594	1	1.05	NUT (M16 X 1-8H)(BRASS)(9.242)
77-78	Y (350) (EXC. SP. H/PER.)	6258203	1	1.30	SHIELD, ENG WIRE HARN
80	Y W/STEREO (UM2, UN3)	14020100	1	4.05	SHIELD, BAT CHRG CIRC WIRE
81-82	Y W/STEREO (UM4, UM5, UM6, UN5)	14020100	1	4.05	SHIELD, BAT CHRG CIRC WIRE
73-77	Y	3816659	1	.58	STRAP, WRG HARN
82	Y	3816659	AR	.58	STRAP, PLASTIC 7" ADJUSTABLE

## 2.575

## BEZEL-BUTTON-CLIP-FLASHER-KNOB-LAMP-LEVER-NUT-SHIELD-SOCKET-SPRING-SWITCH, Side Marker and Hazard Flasher

NOTE: IT IS NECESSARY TO CAREFULLY CHECK THE PARTS CATALOGS FOR CORRECT MODEL APPLICATION WHEN REPLACING LAMP SOCKET ASSEMBLIES. IF INCORRECT SOCKETS ARE USED FOR REPLACEMENT, THE BULB FILAMENT WILL BE IN THE WRONG LOCATION WITH RESPECT TO THE LENS AND/OR REFLECTOR. AS A RESULT, THE LAMP MAY FAIL TO MEET THE REQUIRED LIGHTING STANDARDS.

NOTE 1: 3 PIECE CONSISTS OF: 556741 KNOB, 556742 BUTTON & 556743 SPRING, PAINT AS REQ'D.

NOTE 2: ROUND BASE W/LK TABS & W/1 BLACK-1 BROWN CABLE, 18 GA, APPROX. 11.0 LG. P/N 6294015 MLDG ON GRIP.

NOTE 3: ROUND BASE 90 DEGREE APPROACH W/BRN & BLA CABLES 10.30 LONG-GRA SOC IDENT.

NOTE 4: WHEN USING IN PLACE OF OLD LAMPS IT MAY BE NECESSARY TO ENLARGE MOUNTING HOLES AND USE P/N 8797130 NUTS AS REQ'D TO INSTALL LAMPS.

NOTE 5: ROUND BASE W/BLA & BRN CABLES 9.8 LONG-P/N 8901283 STAMPED ON SOCKET.

NOTE 6: ROUND BASE W/BLA & BRN CABLES 10.0 LONG-CREAM LP SOC IDENT.

88	Y	3927459	2	2.35	BEZEL, RR QTR SI MARKER LP
77-82	Y (2ND DESIGN-1977)	556742	1	.35	BUJTON, HAZARD WARNING SW (NOTE 1)
68-81	Y	3961553	4	.21	CLIP, BODY WRG HARN
68-82	Y	491391	1	3.15	FLASHER, HAZARD LP
67-72	Y (EXC. T.W., TEL. WHL.)	411525	1	.97	KNOB, TRAFFIC HAZARD WARNING (1 PIECE)
69-72	Y W/T.W., TEL. WHL.	411525	1	.97	KNOB, TRAFFIC HAZARD WARNING (1 PIECE)
73-77	Y (1ST DESIGN)	411525	1	.97	KNOB, TRAFFIC HAZARD WARNING (1 PIECE)
77-82	Y (2ND DESIGN-1977)	22607977	1	.33	KNOB, TRAFFIC HAZARD WARNING SW (NOTE 1)
68	Y	916581	2	9.45	LAMP, FRT FDR MKR
68-69	Y	916632	2	9.45	LAMP, RR QTR MKR
69	Y	911045	2	9.45	LAMP, FRT FDR SI MKR
70-73	Y	3973639	LH	13.95	LAMP, FRT FDR SI MKR
70-73	Y	3973640	RH	13.95	LAMP, FRT FDR SI MKR
70-73	Y	3973653	LH	13.95	LAMP, RR QTR SI MKR
70-73	Y	3973654	RH	13.95	LAMP, RR QTR SI MKR

## 2.576

**BEZEL-BUTTON-CLIP-FLASHER-KNOB-LAMP-LEVER-  
NUT-SHIELD-SOCKET-SPRING-SWITCH, Side Marker and Hazard  
Flasher (Con't)**

74-79 Y	362956 LH	8.50	LAMP, FRT FDR SI MKR (NOTE 4)
74-79 Y	362956 RH	8.50	LAMP, FRT FDR SI MKR (NOTE 4)
74-82 Y	362957 LH	8.50	LAMP, RR QTR SI MKR (SERV SOC 6298886) (NOTE 4)
74-82 Y	362958 RH	8.50	LAMP, RR QTR SI MKR (SERV SOC 6298886) (NOTE 4)
74-76 Y W/T.W., TEL. WHL.	7814336 1	1.65	LEVER, STRG COL HAZARD SW
74-82 Y	8797130 AR	.38	NUT, SI MKR LP RET (SELF-THREAD FOR .330 STUD)
80-82 Y	14016167 2	.78	SHIELD, FRT SI MKR LP SPH
73-80 Y	8901283 AR	3.60	SOCKET, W/CABLE, SI MKR LP (NOTE 5)
73-81 Y	8912750 AR	6.10	SOCKET, W/CABLE, SI MKR LP (NOTE 6)
75-78 Y	12001470 AR	13.20	SOCKET, W/CABLE, SI MKR LP (2.714) (NOTE 3)
77-82 Y (2ND DESIGN-1977)	556743 1	.25	SPRING, HAZARD WARNING SW KNOB (NOTE 1)
67-68 Y	5698520 1	43.00	SWITCH, DIR SIG AND TRAFFIC HAZARD (BOYNE) (2.895)
69-75 Y (EXC. T.W., TEL. WHL.)	1997988 1	32.40	SWITCH, DIR SIG AND TRAFFIC HAZARD (2.895)
99-75 Y W/T.W., TEL. WHL.	1893584 1	35.50	SWITCH, DIR SIG AND TRAFFIC HAZARD (2.895)

**2.585 LAMP, Parking, Turn Signal and Cornering**

58-62 Y	898717 LH	47.00	LAMP
58-62 Y	898718 RH	47.00	LAMP
83-87 Y	910552 2	47.00	LAMP
68-69 Y	916765 2	41.25	LAMP
73-74 Y	925143 LH	31.00	LAMP
73-74 Y	925144 RH	31.00	LAMP
75-79 Y	912309 LH	31.00	LAMP
75-79 Y	912310 RH	31.00	LAMP
80-82 Y	914559 LH	30.00	LAMP (SERV SOC 12003757)
80-82 Y	914560 RH	30.00	LAMP (SERV SOC 12003757)
80-82 Y	914735 LH	26.25	LAMP, CORNERING & SI MKR (SERV SOC 6298886)
80-82 Y	914736 RH	26.25	LAMP, CORNERING & SI MKR (SERV SOC 6298886)

**2.586 HOUSING-ORNAMENT, Parking, Turn Signal and Cornering Lamp**

70-72 Y	5964683 LH	130.00	HOUSING, DIR SIG, PARK RAD GRILLE OTR LP
70-72 Y	5964684 RH	130.00	HOUSING, DIR SIG, PARK RAD GRILLE OTR LP
80-82 Y	5936617 LH	4.25	ORNAMENT, CORNERING & SI MKR LP
80-82 Y	5936618 RH	3.85	ORNAMENT, CORNERING & SI MKR LP

**2.660 GASKET-NUT-RETAINER, Tail Lamp**

68-73 Y	5959850 AR	2.85	GASKET, TAIL STOP AND DIR SIG, BACK-UP LP
75-82 Y	347923 8	.38	NUT, TAIL AND STOP MT ANCHOR
75-79 Y	347922 4	2.40	RETAINER, TAIL AND STOP LP MT PNL
80-82 Y	14011849 4	1.80	RETAINER, TAIL AND STOP LP MT PNL

**2.662 REINFORCEMENT, Tail Lamp Mounting**

75-78 Y	347921 4	1.15	REINFORCEMENT, MT PNL
---------	----------	------	-----------------------

**2.679 LAMP, Tail lamp**

NOTE 1: CENTER PORTION OF LENS IS CONICAL SHAPE.

61-62 Y	899631 LH	41.75	LAMP, W/DIR SIG, INR
61-62 Y	899832 RH	41.75	LAMP, W/DIR SIG, INR
63-67 Y	910553 LH	41.75	LAMP, W/DIR SIG, OTR
63-67 Y	910554 RH	41.75	LAMP, W/DIR SIG, OTR
63-67 Y (EXC. BACK-UP LAMP)	910557 LH	39.50	LAMP, W/DIR SIG, INR
63-67 Y (EXC. BACK-UP LAMP)	910558 RH	41.75	LAMP, W/DIR SIG, INR
68 Y	916253 4	43.25	LAMP, TAIL, STOP AND DIR SIG
70-71 Y	910388 2	43.25	LAMP, TAIL, STOP AND DIR OTR (NOTE 1)
74 Y	897168 2	23.80	LAMP
75-79 Y	897193 2	23.80	LAMP, RR COMB
80-82 Y	914031 2	23.10	LAMP, RR (SERV SOC 12013813)

**2.697 GASKET-GROMMET-LAMP-LENS -SOCKET-WIRE, Back Up Lamp**

NOTE: IT IS NECESSARY TO CAREFULLY CHECK THE PARTS CATALOGS FOR CORRECT MODEL APPLICATION WHEN REPLACING LAMP SOCKET ASSEMBLIES. IF INCORRECT SOCKETS ARE USED FOR REPLACEMENT, THE BULB FILAMENT WILL BE IN WRONG LOCATION WITH RESPECT TO THE LENS AND/OR REFLECTOR. AS A RESULT, THE LAMP MAY FAIL TO MEET THE REQUIRED LIGHTING STANDARDS.

NOTE 1: ROUND BASE 90 DEGREE APPROACH W/BRN & BLA CABLES 10.30 LONG-GRN SOC IDENT.  
NOTE 2: ROUND BASE W/LT GRN & BLA CABLES, 10.0 LG, WHITE LP SOC IDENT.

68	Y	6958753	2	4.10	GASKET, LP MT
68	Y	6437746	2	1.08	GROMMET, BACK-UP LP (4.197)
63-66	Y	910427	LH	42.00	LAMP
63-66	Y	910428	RH	42.00	LAMP
69	Y	916782	2	43.25	LAMP
70-73	Y	917512	2	43.25	LAMP
74	Y	897189	2	23.80	LAMP
75-79	Y	912040	2	23.80	LAMP
80-82	Y	914037	2	23.10	LAMP
63-66	Y	5948757	2	3.45	LENS (CLEAR PLASTIC)
67	Y	5959241	LH	6.65	LENS
37	Y	5959242	RH	6.65	LENS
68	Y	5959873	2	6.65	LENS
69	Y	5960972	2	19.10	LENS
70-71	Y	5961332	2	19.10	LENS
72-73	Y	5964434	2	19.10	LENS
75-78	Y	12001470	AR	13.20	SOCKET, W/CABLE, B/U LP (2.714)
					(NOTE 1)
80-81	Y	8909518	AR	6.20	SOCKET, W/CABLE, B/U LP (2.596)
					(NOTE 2)
78	Y W/M.T. (EXC. SP. H/PER.)	8916531	1	8.75	WIRE, SW JFR

**2.698 BRACKET-CLIP-ROD-SCREW-SWITCH, Back Up Lamp**

65-73	Y W/MUNCIE 4-SPD.	3864296	1	2.25	BRACKET, SW MT
74-81	Y W/M.T. (4-SPD)	6258268	1	4.90	BRACKET, SW CONT
80-81	Y W/M.T.	3989067	1	.33	CLIP, BRG LP SW CONT ROD (3.425)
68-74	Y W/4-SPD.	3923915	1	4.50	ROD, SW CONT
75-81	Y W/M.T.	6258267	1	3.30	ROD, SW CONT
53-82	Y	558688	AR	.25	SCREW, HEX (8-18 X .270 STL)
63-67	Y W/4-SPD.	1993666	1	22.30	SWITCH, LP
65-67	Y W/P.G.	1993411	1	41.65	SWITCH, W/NEU SAF LP (4.054)
68-72	Y W/A.T.	3948538	1	24.95	SWITCH, NEU SAF AND BACKING (4.054)
68-78	Y W/M.T.	1993430	1	29.45	SWITCH, BACKING
74-82	Y	470108	1	18.30	SWITCH, NEU SAF AND BACKING LP (4.054)
70	Y W/M.T. (350) (M20) (EXC. SP. H/PER.)	3938481	1	N.L.	SWITCH, LP
79	Y W/M.T.	1994218	1	29.45	SWITCH, LP
80-81	Y W/M.T. (M18)	1994220	1	30.15	SWITCH, LP

**2.810 HORN-SHIM, Warning**

NOTE: ON SOME MODELS IT WILL BE NECESSARY TO USE THE MOUNTING BRACKET FROM THE REPLACED HORN AND ENLARGE THE HOSE TO 1 1/32 DIA., ALSO TO REWORK TRUMPET BY CUTTING 1/2" OFF END.

65-79	Y	1892163	1	N.L.	HORN, F NOTE
65-70	Y	1892164	1	N.L.	HORN, A NOTE
65-80	Y	1892162	1	N.L.	HORN, D NOTE
76-79	Y	1892164	1	N.L.	HORN, A NOTE
76-80	Y	1892246	1	N.L.	HORN, C NOTE
76-77	Y	1892247	1	23.35	HORN, F NOTE
81-82	Y (EXC U03 EXPORT)	1892164	1	N.L.	HORN, A NOTE
81-82	Y (EXC U03 EXPORT)	1892246	1	N.L.	HORN, C NOTE
67-82	Y W/T&T WHL.	3910765	1	.44	SHIM, HORN BUTTON CAP

**2.819 BUSHING-CAM-CONTACT-CUP-INSULATOR-RETAINER-RING-SCREW-SPRING-SUPPORT, Horn Button Blowing**

75-77	Y W/CUSTOM WHL. (N31)	9754764	1	.57	BUSHING, HORN BUTTON CAP ADAP
70-82	Y W/T&T WHL (N37)	7811998	1	8.55	CAM, STRG COL T/SIG CANC
67-82	Y	474102	1	1.80	CONTACT, W/EYELET AND SPRING
67	Y (EXC. TEL. WHL.)	3901330	1	8.35	CONTACT
67-82	Y W/T&T WHL. (N37)	3949103	1	8.35	CONTACT, UPR
68	Y (EXC. TEL. WHL.)	9751048	1	8.35	CONTACT
69-76	Y (EXC. T.W., TEL. WHL.)	9751048	1	8.35	CONTACT
69-76	Y W/T.W., TEL. WHL.	3949105	1	6.45	CONTACT, LWR
76	Y	9753517	1	8.35	CONTACT, UPR (W/SPT. WHL.)
76-82	Y W/T&T WHL. (N37)	3994428	1	6.45	CONTACT, LWR
75-76	Y (EXC. T&T WHL. N37)	9748190	1	4.10	CUP, HORN BUTTON CAP
62	Y	768233	1	1.90	INSULATOR, CONTACT
68-70	Y	382117	1	.35	INSULATOR, CONTACT
71	Y	409190	1	.35	INSULATOR, CONTACT
71-73	Y W/SPORT WHL (N34)	9755872	1	2.05	INSULATOR, HORN BLO SPR
72	Y	382117	1	.35	INSULATOR, CONTACT
73-78	Y (EXC. T.W., TEL. WHL.)	409190	1	.35	INSULATOR, CONTACT
73-78	Y W/T.W., TEL. WHL.	382117	1	.35	INSULATOR, CONTACT
75-76	Y (EXC. T&T WHL.)	9755872	1	2.05	INSULATOR, CONTACT
79-82	Y	409190	1	.35	INSULATOR, CONTACT
70-82	Y W/T&T WHL (N37)	7808305	1	2.35	RETAINER, SNAP RING, HORN CONTACT CARR
76	Y W/CUSTOM WHL.	3994430	1	3.75	RETAINER, HORN BUTTON CAP
69-76	Y W/T.W., TEL. WHL.	5697735	1	1.65	RING, CARRIER LK
67-68	Y W/TEL. WHL.	3910784	3	.35	SCREW, HORN CONTACT (8-32 X 1 1/2)
69-82	Y W/T&T WHL. (N37)	3949107	3	.35	SCREW, CONTACT UPR
60-77	Y (EXC. T.W., TEL. WHL.)	9749363	1	1.70	SPRING, HORN BUTTON
72-82	Y	404234	1	.33	SPRING, HORN CONTACT
78	Y W/CUSTOM WHL. (EXC. T&T WHL.)	9749363	1	1.70	SPRING, HORN CONTACT (BELLEVILLE)
76	Y W/T&T WHL.	9753107	1	13.75	SUPPORT, HORN CONTACT

**2.820 CAP-EMBLEM-RETAINER, Horn Button**

63-64	Y	3899385	1	14.10	CAP
65-66	Y (EXC. TEL. WHL.)	3899385	1	14.10	CAP
67	Y	3899385	1	14.10	CAP
68	Y	3957948	1	14.10	CAP (PAINT TO MATCH)
69-76	Y (EXC. T.W., TEL. WHL.)	3957948	1	14.10	CAP (PAINT TO MATCH)
69-76	Y W/T.W., TEL. WHL.	3957952	1	14.10	CAP (BLACK)
76	Y (EXC. CUST. WHL.)	340379	1	4.05	CAP (SADDLE)
76-80	Y W/CUST WHL (EXC T&T WHL)	459003	1	4.00	CAP (BUCKSKIN)
76	Y W/CUST. WHL.	3994425	1	5.90	CAP (BLACK)
77	Y (EXC. T&T WHL.)	458919	1	4.00	CAP (SMOKE GREY)
77-81	Y W/T&T WHL.	459082	1	6.50	CAP (PRIME FINISH)
82	Y07	9787514	1	41.75	CAP,
82	Y87	459082	1	6.50	CAP (PRIME FINISH)
76-80	Y (EXC. T&T WHL.)	3994423	1	6.50	EMBLEM, BUTTON CAP
77	Y W/T&T WHL.	14020243	1	6.20	EMBLEM, BUTTON CAP
78	Y W/T&T WHL.	473082	1	6.20	EMBLEM, BUTTON CAP
79-81	Y W/T&T WHL.	14020243	1	6.20	EMBLEM, BUTTON CAP
82	Y07	9767693	1	7.75	EMBLEM, STRG WHL HORN CAP
82	Y87	14044504	1	6.20	EMBLEM, STRG WHL HORN CAP
76-80	Y (EXC. T&T WHL.)	329738	1	1.00	RETAINER, CAP
77-82	Y W/T&T WHL.	3946459	1	1.20	RETAINER, CAP

**2.892 CLIP-FLASHER, Turn Signal Lamp**

65-68	Y (1ST DESIGN)	3988825	1	.38	CLIP, FLASHER
68-80	Y	3943610	1	.38	CLIP, T/SIG LP FLSHR
68	Y W/HORN ALARM SYSTEM	3988825	1	.38	CLIP, FLASHER
65-80	Y	491392	1	N.L.	FLASHER (2 BULB) (ZN232)
61-65	Y (EXC BACK-UP LAMP)	491160	1	3.90	FLASHER (3 BULB) (STAT CO NO 143, 145, TUNG SOL NO 323, AP3734)
64-66	Y W/BACK-UP LAMP	491392	1	N.L.	FLASHER (2 BULB) (STAMPED LF224)
67-69	Y	491160	1	3.90	FLASHER (3 BULB) (STAT CO NO 145, TUNG SOL NO 323)
69-82	Y	491392	1	N.L.	FLASHER (2 BULB) (STAMPED LF224)

MICROFICHE INDEX  
GROUPS 6.000 THRU 8.000  
FICHE 4 OF 6

GROUP DESCRIPTION	STARTING GRID LOCATION	
	PARTS	ILLUSTRATIONS
- INTRODUCTION .....	A-6	H-2
- GENERAL INFORMATION .....	A-2	H-2
- ALPHABETICAL INDEX .....	C-11	N.A.
- INDEX FOR ADDITIONAL INFORMATION .....	A-5	N.A.
6.000 FRONT SUSPENSION - STEERING .....	E-2	H-6
7.000 FRAME - SPRINGS - SHOCKS - BUMPERS .....	F-2	J-2
8.000 FRONT END SHEET METAL - HEATER .....	G-5	L-2
- OUT OF FICHE CALLS .....	N.A.	M-11

**N-1**



**2.895 ARM-BEARING-CABLE-COVER-LEVER-O RING-PLATE-SCREW-SPACER-SWITCH, Turn Signal Lamp**

NOTE 1: 2ND DESIGN IDENT BY STRAIGHT TURN SIGNAL LEVER, WITH CORN LAMPS. 1ST DESIGN HAS BENT LEVER WITHOUT CORN LAMPS.

77	Y (EXC. T&T WHL.)	7828803	1	3.25	ARM, PIVOT
77-82	Y W/T&T WHL.	7827038	1	2.45	ARM, SIG SW
78	Y (EXC. T&T WHL.)	7827107	1	2.35	ARM, STRG COL SW ACTR
64-66	Y	5679205	1	N.L.	BEARING, CONT SW (6.521)
63-64	Y	3777469	1	2.45	CABLE, CONT SW
76	Y	7804538	1	2.80	COVER, HORN WIRE PROTECTOR
74-76	Y W/TEL. WHL.	7814338	1	1.85	LEVER, HAZARD SW (2.575)
65-66	Y	483015	1	.58	O RING, CONT SW
64	Y (EXC. TEL. WHL.)	5955189	1	2.85	PLATE, CONT SW
65-67	Y (EXC. T.W., TEL. WHL.)	5957015	1	2.85	PLATE, CONT SW
65	Y W/TEL. WHL.	5957083	1	2.85	PLATE, ACTUATING
64-67	Y (EXC. T.W., TEL. WHL.)	3841575	1	.30	SCREW, CONT (10-32 X 1/2)
69	Y (EXC. T.W., TEL. WHL.)	7809128	1	.73	SCREW, SIG SW MT
70-82	Y	7809128	1	.73	SCREW, SIG SW MT
77	Y (EXC. T&T WHL.)	7825822	1	.81	SCREW, PIVOT ARM ATTACH.
77	Y (EXC. T&T WHL.)	7826172	1	.54	SPACER, SCREW
55-62	Y (12 VOLT)	5946173	1	30.50	SWITCH, W/WRG
63	Y	3824118	1	5.05	SWITCH
64-66	Y (EXC. T.W., TEL. WHL.)	910821	1	42.85	SWITCH
67-68	Y	5698520	1	43.00	SWITCH, DIR SIG AND TRAFFIC HAZARD (BOYNE)
69-79	Y (EXC. T.W., TEL. WHL.)	1997988	1	32.40	SWITCH, DIR SIG AND TRAFFIC HAZARD
69-76	Y W/T.W., TEL. WHL.	1893584	1	39.50	SWITCH, DIR SIG AND TRAFFIC HAZARD
76-79	Y W/T&T WHL. (1ST DESIGN 1979)	1997983	1	N.L.	SWITCH, DIR SIG AND TRAFFIC HAZARD (NOTE 1)
79-82	Y W/T&T WHL. (2ND DESIGN 1979)	1997984	1	N.L.	SWITCH, DIR SIG AND TRAFFIC HAZARD (NOTE 1)

**2.896 CAM-CAM CONVERSION KIT-SPRING, Turn Signal Switch Cancelling**

67-68	Y (EXC. TEL. WHL.)	399292	1	1.35	CAM
67-68	Y W/TEL. WHL.	3901618	1	3.25	CAM
70-82	Y W/T&T WHL (N37)	7811998	1	8.55	CAM, STRG COL T/SIG CANCEL(2.819)
76-78	Y (EXC. T&T WHL.)	7812136	1	4.75	CAM
69-76	Y (EXC. T.W., TEL. WHL.)	7812210	1	4.75	CAM CONVERSION KIT, STRG COL TURN SIG CANCELLING
69-70	Y	1964784	RH	.16	SPRING, CANCELLING
69-70	Y	1964785	LH	.16	SPRING, CANCELLING
75-76	Y	1964784	RH	.16	SPRING, CANCELLING
75-82	Y	1964784	RH	.16	SPRING, T/SIG CANCEL
75-76	Y	1964785	LH	.16	SPRING, CANCELLING
75-82	Y	1964785	LH	.16	SPRING, T/SIG CANCEL
75-76	Y	1967885	1	.36	SPRING, LANE CHANGE
75-82	Y	1967885	1	.36	SPRING, LANE CHANGE

**2.897 KNOB-LEVER, Turn Signal Control**

NOTE 1: 1ST DESIGN LEVER SHAFT HAS A 30 DEGREE BEND TOWARD DRIVER, 2ND DESIGN LEVER HAS A STRAIGHT SHAFT.

53-63	Y	3782966	1	.76	KNOB, CONT LVR
53-62	Y	3783302	1	2.25	LEVER, CONT
64-66	Y (EXC. T.W.)	3854303	1	.95	LEVER, CONT
57	Y	3854303	1	.95	LEVER, CONT
67-68	Y (EXC. CRUISE CONT.)	3909580	1	1.55	LEVER, CONT
69-71	Y (EXC. T.W., TEL. WHL.)	3961517	1	1.50	LEVER, CONT
69-71	Y W/T.W., TEL. WHL.	3951240	1	2.35	LEVER, CONT
72-77	Y W/T.W., TEL. WHL.	3996243	1	4.05	LEVER, W/KNOB
73-76	Y (EXC. T.W., TEL. WHL.)	14005066	1	2.85	LEVER, W/KNOB
77	Y	459344	1	10.20	LEVER, W/KNOB, DIR SIG WSWA & DIM SW
78-79	Y (EXC. CRUISE CONT.)	475877	1	1.70	LEVER, W/KNOB
78-79	Y W/CRUISE CONT. (EXC. T&T WHL.)	25030135	1	52.00	LEVER, W/SW, T/SIG AND CRUISE CONT & D/SW
78-79	Y W/CRUISE CONT., T&T WHL. (1ST DESIGN-1979)	25030522	1	50.00	LEVER, W/SW, T/SIG AND CRUISE CONT & D/SW (NOTE 1)
78-82	Y W/T&T WHL (EXC CRUISE CONT)	14009242	1	3.30	LEVER, W/KNOB, DIR SIG & D/SW CONT
79	Y W/CRUISE CONT, T&T WHL (2ND DESIGN)	25030492	1	39.75	LEVER, W/SW, T/SIG AND CRUISE CONT & D/SW (NOTE 1)
80	Y W/CRUISE CONT (K30), T&T WHL	25030492	1	39.75	LEVER, W/SW, T/SIG AND CRUISE CONT & D/SW
81-82	Y W/CRUISE CONT (K35)	25031169	1	41.40	LEVER, W/SW, T/SIG AND CRUISE CONT & D/SW

**2.906 COVER-CUP-SCREW-SUPPORT, Turn Signal Switch**

89-77	Y (EXC. T.W., TEL. WHL.)	7804658	1	2.80	COVER, SIG SW AND HORN WIRE PROTR
89-78	Y W/T.W., TEL. WHL.	7803537	1	54.50	COVER, W/LOCK
89-82	Y W/T.W., TEL. WHL.	7803471	1	3.75	COVER, SIG SW AND HORN WIRE PROTR
77-78	Y (EXC. T&T WHL.)	7827661	1	4.55	COVER, SIG SW AND HORN WIRE PROTR
78	Y (EXC. TILT WHL.)	7804658	1	2.80	COVER, SIG SW AND HORN WIRE PROTR
71-78	Y	7804413	1	.89	CUP, STRG COL SIG SW HSG THRUST
89-79	Y (EXC. T.W., TEL. WHL.)	7808887	1	.42	SCREW, SIG SW HSG
89-71	Y W/T.W., TEL. WHL.	7807635	1	36.00	SUPPORT, SIG HSG (8.518)

**3.015 SUPPORT, Fuel Tank Stone Shield**

88-73	Y	3937806	1	19.35	SUPPORT
78-82	Y	14011298	1	12.55	SUPPORT

**3.275 BOLT-STUD, Intake & Exhaust Manifold**

NOTE: ALSO SEE GROUPS 3.288 CARB TO MANIFOLD, 3.613 MANIFOLD TO EXH. PIPE, AND 8.981.

55	Y (8 CYL.)	3836646	12	.81	BOLT, EXH MANIF (3/8-16 X 1 5/8 300M STEEL) (CIRCLE ON HEAD)
56-81	Y	3733134	AR	1.05	BOLT, AT CTR HOLES (3/8-16 X 2 27/32) (300M)
83	Y W/SP. H/PER.	3733134	AR	1.05	BOLT, AT CTR HOLES (3/8-16 X 2 27/32) (300M)
64-81	Y	2250552	AR	1.40	BOLT, STUD(3/8-16 X .56 X 2.0 ZP 280M)
64-88	Y (283, 327, 427) W/A.C.	3841724	1	.92	BOLT (3/8-16 X 3 11/16)(300M)
67-69	Y (427)	3909821	1	.50	BOLT, EXH. MANIF (3/8-16 X 1 3/16)
89	Y (427) W/AL. CYL. AND CASE	3736035	8	.77	BOLT, EXH MANIF AT CTR HOLES (3/8-16 X 1 1/4)
69	Y W/A.C. (EXC. H/PER. 427)	3841724	1	.92	BOLT (3/8-16 X 3 11/16)(300M)
70-75	Y (350) W/A.C.	3841724	1	.92	BOLT (3/8-16 X 3 11/16)(300M)
70-77	Y (454)	3909821	AR	.50	BOLT, EXH. MANIF AT END HOLES
73	Y (454)	3736035	8	.77	BOLT, EXH. MANIF AT CTR HOLES (3/8-16 X 1 1/4)
74-79	Y (350)	3733130	1	.81	BOLT, EXH. MANIF. NO. 1 R.H. HOLE (3/8-16 X 2 1/4)
75-79	Y	454487	AR	.79	BOLT, HEX (3/8-16 X 1-3/4 300M) (4.085)
75-82	Y	3736035	AR	.77	BOLT, HEX (3/8-16 X 1 1/4)
76-79	Y	3841724	AR	.92	BOLT (3/8-16 X 3 11/16)(300M)
53-71	Y	344996	AR	.58	STUD, INT MANIF TO EXH MANIF (3/8-16 X 3 5/16)
53-71	Y	483543	AR	.35	STUD, EXH MANIF ENDS TO HD, INT MANIF (3/8-16 X 2 3/16)
53-55	Y (6 CYL.)	3835487	2	.31	STUD, 1 END THREADED-OTHER USED TO LINE UP MANIF (3/8-16-16 29/32)
64-68	Y (283, 327, 427) W/A.C.	3932443	AR	1.30	STUD, EXH., RH FRT HOLE
65-68	Y (396, 427) W/P.S.	3774029	1	3.60	STUD (5/16-18 X 3/16-16 X 2 9/16)
87	Y (427)	3774029	1	2.60	STUD (5/16-18-3/16-16 X 2 9/16)
67-69	Y (427) W/P.S.	3928905	1	2.65	STUD, EXH MANIF AT L.H. SI FRT HOLE (3/16-16-5/16-18 X 25/32)
68	Y (427) W/A.C.	3928906	2	1.25	STUD, EXH. MANIF, FRT R.H.
69-70	Y (427) W/H.D., A.T., AL. CYL. AND CASE	3928905	AR	3.65	STUD, 3 AND 4 HOLES L.H. SI
69-75	Y (427, 454) W/H/PER., 4BC, A.C.	3928905	2	1.25	STUD, EXH. MANIF, 1 AND 3, R.H. HOLE
70	Y (454) W/4BC (EXC. H.D.)	3928905	AR	3.65	STUD, R.H. INT MANIF, NO. 3 HOLE (3/8-16-5/16-18 X 2 1/4)
70-74	Y (454) W/P.S.	3928905	1	3.65	STUD, EXH. MANIF AT L.H. SI FRT HOLE (3/16-16-5/16-18 X 25/32)
70-76	Y W/A.C.	3932448	AR	1.30	STUD (3/8-16 X 4 3/32)
73-74	Y	344996	AR	.58	STUD, INT MANIF TO EXH MANIF (3/8-16 X 3 5/16)
73-75	Y	483543	AR	.35	STUD, EXH MANIF ENDS TO HD, INT MANIF (3/8-16 X 2 3/16)
76-79	Y (350)	3937247	LH	3.60	STUD, EXH MANIF, NO. 4 HOLE
77-82	Y	3932448	RH	1.30	STUD, EXH MANIF, NO. 1 HOLE
82	Y (5.7)	14037862	1	.97	STUD, EXH MANIF(9.171)

**3.431 ROD, Accelerator Pedal**

NOTE 1: NO PIN ABOVE D SLOT.

89-76	Y	340692	1	4.85	ROD
77-82	Y	480827	1	4.85	ROD

3.680

**CLAMP-CLIP-CONNECTOR-ELBOW-FILTER-FITTING-  
GASKET-LOCK-PLUG-SPACER-TUBE, Air Injection Reactor and  
Exhaust Gas Recirculation**

NOTE 1: THREADS MUST BE COVERED WITH TEFLON TAPE.

73-74	Y (350)	353090	1	2.90	CLAMP, E.G.R. VLV
75-80	Y	22505116	1	3.45	CLAMP, CTLTC CONV AIR INJ PIPE (U-BOLT TYPE)
81	Y	14030110	1	.99	CLAMP, AIR CTLTC CONV PIPE UPR
81	Y	14030111	1	.99	CLAMP, CTLTC CONV AIR INJ PIPE
82	Y	14044532	2	.97	CLAMP, CTLTC CONV AIR INJ PIPE
82	Y	14044533	2	.97	CLAMP, CTLTC CONV AIR INJ PIPE
74-31	Y	2043150	1	1.05	CLIP, A/C COMPR FITTING (11/32 X 1 PC)
77-82	Y	1257393	1	.38	CLIP, EFE VAC PIPE TO CYL HD
81-82	Y	8917238	AR	2.70	CLIP, ELEC CONT MOL HARN (2.559)
72-76	Y	3951348	1	5.20	CONNECTOR, AIR INJ DVTR VLV
78-80	Y	489550	1	.52	CONNECTOR, EXH EMIS CONT HOSE (3 WAY)
81	Y W/A.T. (MX3)	14034063	1	.52	CONNECTOR, EGR CONT VLV
88	Y (327)	7816979	1	3.75	ELBOW, PUMP
89	Y (EXC. 427)	3947728	1	9.00	ELBOW, DVTR VLV MT
70-71	Y (350) W/SP. H/PER.	3947728	1	9.00	ELBOW, DVTR VLV MT
72-75	Y (350)	3947728	1	9.00	ELBOW, DVTR VLV MT
77-78	Y (350L)	14010294	1	5.20	ELBOW, DVTR VLV
79	Y W/CALIF. ALT (EXC. H/PER)	14010294	1	5.20	ELBOW, DVTR VLV
79	Y W/H/PER	14010294	1	5.20	ELBOW, DVTR VLV
80	Y	14010294	1	5.20	ELBOW, DVTR VLV
81-82	Y	14C28170	1	9.00	ELBOW, DVTR VLV
80	Y (350) W/M.T. (M18)	25040275	1	33.82	FILTER, AIR CONT VLV (PAC A764C)
76-82	Y	474793	1	5.20	FITTING, FUEL VAPOR PIPE HOSE (NOTE 1)
88	Y	3942534	AR	.45	GASKET, DVTR VLV GSKE
89	Y (427) W/H/PER.	3942534	AR	.45	GASKET, DVTR VLV GSKE
70-79	Y (350, 454)	3942534	AR	.45	GASKET, DVTR VLV GSKE
73-74	Y (454)	353086	1	.18	GASKET, E.G.R. VLV
75-78	Y (EXC. ALT., CALIF.)	343752	1	1.63	GASKET, E.G.R. VLV
77-78	Y W/ALT., CALIF. (EXC. SP. H/PER.)	14031389	2	.35	GASKET, E.G.R. VLV
79-81	Y (305, 350)	14031389	2	.35	GASKET, E.G.R. VLV
82	Y (5.7)	14031389	1	.35	GASKET, E.G.R. VLV
79	Y	11048283	AR	.36	LOCK, DVTR
79-82	Y W/A.I.R.	14015388	AR	.30	LOCK, AIR INJ CONT VLV BOLT
73-74	Y (454)	9427697	1	.42	PLUG, E.G.R.
77-78	Y W/ALT., CALIF. (EXC. SP. H/PER.)	14031388	2	1.65	SPACER, E.G.R. VLV
79-80	Y	14031388	1	1.65	SPACER, E.G.R. VLV
79-80	Y (305, 350)	14031388	1	1.65	SPACER, EGR VLV
81	Y (350)	14031388	1	1.65	SPACER, E.G.R. VLV
73-74	Y (454)	353043	1	1.85	TUBE, EXH GAS RTN

### 3-SPEED MANUAL TRANSMISSION

<b>4.008</b>		<b>PIN, Transmission Control Lever</b>		
68-70	Y	3921634	1	.42 PIN, 1ST AND REV ROD CLEVIS
<b>4.010</b>		<b>BRACKET-BRACKET KIT-HOUSING-SUPPORT, Transmission Control Lever</b>		
68-67	Y	3888263	1	10.00 BRACKET, CONT LVR AND BRKT ADAP
64-69	Y	3936246	1	20.15 BRACKET KIT, CONT LVR
69-70	Y (EXC. T.W., TEL. W.)	7811390	1	29.25 HOUSING, STRG COL TRANS CONT LK TUBE
68-70	Y	334943	1	12.30 SUPPORT, CONT LVR AND BRKT
<b>4.012</b>		<b>SCREW-WASHER, Transmission Control</b>		
69-70	Y (EXC. T.W., TEL. W.)	7804407	1	.55 SCREW, STRG COL SHIFT LVR DETENT PLT
69-70	Y (EXC. T.W.)	7804447	1	6.80 WASHER, STRG COL SHIFT LVR HSG BRG WAVE
69	Y W/T.W.	3884595	1	.43 WASHER, STRG COL SUPT WAVE
69	Y W/T.W.	3886319	1	.77 WASHER, STRG COL SUPT THRUST
<b>4.025</b>		<b>SHAFT-TUBE, Transmission Shift Control</b>		
64-70	Y	3841490	AR	4.75 SHAFT, SHIFTER LVR
69	Y W/TEL. T.W.	7805702	1	85.50 TUBE, CONT LK(4.025)
70	Y W/T.W.	7805702	1	85.50 TUBE, STRG COL TRANS CONT LK
<b>4.027</b>		<b>RETAINER-RING-SEAL-WASHER, Transmission Shift Control Shaft</b>		
65-69	Y	3841725	1	.87 RETAINER, CONT SHIFTER LVR SHAFT
69-70	Y W/T.W.	7804907	1	1.00 RING, SUPT AND SHIFT TUBE RET
74-78	Y	5636537	2	2.35 SEAL, TRANS SHFT LVR SHF OIL (6.525)
69-70	Y (EXC. T.W.)	7832112	1	.98 WASHER, SHIFT TUBE THRUST
<b>4.030</b>		<b>BRACKET-LEVER, Transmission Shift Control</b>		
64-70	Y	3846844	1	9.40 BRACKET, CONT SHIFTER LVR
68-70	Y	3841488	1	9.50 LEVER, CONT SHAFT (1ST AND 2ND)
68-69	Y	3850111	1	6.60 LEVER (2ND AND 3RD)
<b>4.070</b>		<b>BRACKET-RETAINER, Transmission Control Lock Cable</b>		
69-70	Y	3549076	1	3.75 BRACKET
62-65	Y	516213	AR	.30 RETAINER, TO FRAME FRT ANCHOR
63-70	Y	516213	AR	.30 RETAINER, FRT AND RR

### 4-SPEED MANUAL TRANSMISSION

<b>4.008</b>		<b>PIN-SPRING, Transmission Control</b>		
64-74	Y	3845746	1	1.25 PIN, CONT LVR, LWR
64-81	Y	3859759	1	.83 PIN, LVR REV (1/4 I.D. X 45/64 O.L.)
68-76	Y	3921634	1	.42 PIN, 1ST AND 2ND
78	Y	365561	AR	3.80 PIN, CLEVIS
68-76	Y	3921641	1	.59 SPRING, REV REL RTN
76-81	Y	371767	1	.73 SPRING, REV REL RTN
81	Y	14030192	1	4.55 SPRING, CONT LVR
<b>4.010</b>		<b>BRACKET-BRACKET KIT-HOUSING-SHROUD-SUPPORT, Transmission Control Lever</b>		
68-67	Y	3888263	1	10.00 BRACKET, CONT LVR AND BRKT ADAP
64-81	Y	3936246	1	20.15 BRACKET KIT, CONT LVR
69-70	Y (EXC. T.W., TEL. WHL.)	7811390	1	29.25 HOUSING, STRG COL TRANS CONT LK TUBE
71-73	Y (EXC. T.W., TEL. WHL.)	7812034	1	31.00 HOUSING, STRG COL GEARSHIFT LVR
77	Y (EXC. T&T WHL.)	7827227	1	16.15 SHROUD, HSG
77	Y (EXC. T&T WHL.)	7827228	1	16.15 SHROUD
78	Y (EXC. T&T WHL.)	7833436	1	14.90 SHROUD, STRG COL GLS BOWL
81	Y	7839825	1	23.45 SHROUD, STRG COL HSG
68-79	Y	334943	1	12.30 SUPPORT, CONT LVR AND BRKT
80-81	Y	475336	1	.05 SUPPORT, CONT LVR AND BRKT
<b>4.012</b>		<b>SCREW-WASHER, Transmission Control Lever</b>		
69-70	Y (EXC. T.W., TEL. WHL.)	7804407	1	.55 SCREW, STRG COL SHIFT LVR DETENT PLT
71-77	Y	7804407	1	.55 SCREW, STRG COL SHIFT LVR DETENT PLT
77-82	Y W/T&T WHL.	7800639	1	.55 SCREW, STRG COL SHIFT LVR DETENT PLT
80-81	Y	475336	3	.55 SCREW, CONT LVR AND BRKT SUPT
69-77	Y (EXC. T.W., TEL. WHL.)	7804447	1	6.80 WASHER, STRG COL SHIFT LVR HSG BRG WAVE
69-73	Y W/T.W., TEL. WHL.	3884595	1	.43 WASHER, STRG COL SUPT WAVE
69-76	Y W/T.W., TEL. WHL.	3886319	1	.77 WASHER, STRG COL SUPT THRUST

### 4-SPEED MANUAL TRANSMISSION

<b>4.025</b>		<b>SHAFT-TUBE, Transmission Gearshift Control Shifter</b>		
64-81	Y	3841490	AR 4.75	SHAFT, CONT LVR
69-76	Y W/T.W., TEL. WHL.	7805702	1 85.50	TUBE, STRG COL TRANS CONT LK
<b>4.027</b>		<b>GATE-INTERLOCK-RETAINER-RING-SEAL-SPRING-WASHER, Transmission Gearshift Shaft</b>		
71-79	Y W/T.W., TEL. WHL.	7811592	1 3.75	GATE, STRG COL GEARSHIFT LVR
64-81	Y	3846845	1 3.05	INTERLOCK, CONT REV LVR
64-81	Y	3841725	1 .87	RETAINER, CONT SHIFTER LVR SHAFT
69-79	Y W/T.W., TEL. WHL.	7804907	1 1.00	RING, SUPT AND SHIFT TUBE RET
78-79	Y	5898537	2 2.35	SEAL, SHIFT LVR SHF OIL (8.525)
71-79	Y (EXC. T.W., TEL. WHL.)	7810567	1 2.20	SPRING, STRG COL TUBE RTN LWR
69-78	Y (EXC. T.W., TEL. WHL.)	7832112	1 .98	WASHER, SHIFT TUBE THRUST
<b>4.030</b>		<b>BRACKET-LEVER, Transmission Gearshift Shaft</b>		
64-81	Y	3846844	1 9.40	BRACKET, CONT SHIFTER LVR
64-81	Y	3841487	1 7.90	LEVER, CONT SHAFT REV
64-81	Y	3841488	1 9.50	LEVER, CONT SHAFT (1ST AND 2ND)
64-81	Y	3850111	1 8.60	LEVER, CONT SHAFT (3RD AND 4TH)
<b>4.070</b>		<b>BRACKET-CABLE -CLIP-RETAINER, Transmission Control Lock Cable</b>		
69-73	Y	3960698	1 81	BRACKET
74-75	Y	339746	1 .74	BRACKET
77-82	Y	3949078	1 3.75	BRACKET, STRG COL LWR MT
69-75	Y	3949074	1 19.50	CABLE (30 15/16")
69-75	Y	3960620	1 .75	CLIP
62-65	Y	516213	AR .30	RETAINER (TO FRAME FRT ANCHOR)
63-71	Y	516213	AR .30	RETAINER, FRT AND RR (4.785)

### AUTOMATIC TRANSMISSION (1968 - 1982)

<b>4.008</b>		<b>BUSHING-PIN-PLUG-SPRING, Transmission Control Lever</b>		
68-82	Y	3923617	1 2.15	BUSHING, CONT CABLE LWR
53-82	Y	365561	AR 3.80	PIN, CLEVIS SPECIAL
68-82	Y	3921871	1 2.95	PIN, CONT LVR
79-82	Y	10005139	1 1.25	PIN, CONT CBL
63-82	Y	3859792	1 9.30	PLUG, CONT LVR
68-82	Y	3874236	1 .35	SPRING, CONT LVR, UPR
<b>4.010</b>		<b>BRACKET-HOUSING-LEVER-SHROUD, Transmission Control Lever</b>		
78-81	Y	357745	1 23.50	BRACKET, CONT LVR
82	Y	14030182	1 23.50	BRACKET, CONT LVR
69-78	Y (EXC. T.W., TEL. WHL.)	7811390	1 29.25	HOUSING, STRG COL CONT LK TUBE
82	Y	14030181	1 38.00	LEVER, W/BRKT, CONT
77	Y (EXC. T&T WHL.)	7827227	1 16.15	SHROUD, HSG
77	Y (EXC. T&T WHL.)	7827228	1 16.15	SHROUD, COL
82	Y	7839625	1 23.45	SHROUD, STRG COL HSG
<b>4.012</b>		<b>SCREW-WASHER, Transmission Control Lever</b>		
69-78	Y (EXC. T.W., TEL. WHL.)	7804407	1 .55	SCREW, STRG COL SHIFT LVR DETENT PLT
77-82	Y W/T&T WHL.	7800639	1 .55	SCREW, STRG COL SHIFT LVR DETENT PLT
69-70	Y (EXC. T.W., TEL. WHL.)	7804447	1 6.80	WASHER, STRG COL SHIFT LVR HSG BRG WAVE
<b>4.025</b>		<b>TUBE, Transmission Gearshift Control Shifter</b>		
69-74	Y W/T.W., TEL. WHL.	7805702	1 85.50	TUBE, STRG COL TRANS CONT LK
<b>4.027</b>		<b>GATE-RING-SPRING-WASHER, Transmission Shift Control Lever</b>		
71-79	Y W/T.W., TEL. WHL.	7811592	1 3.75	GATE, STRG COL GEARSHIFT LVR
69-79	Y W/T.W., TEL. WHL.	7804907	1 1.00	RING, SUPT AND SHIFT TUBE RET
68-82	Y	3859791	1 1.35	SPRING, CONT LVR LWR
71-79	Y (EXC. T.W., TEL. WHL.)	7810567	1 2.20	SPRING, STRG COL SHIFT TUBE RTN LWR
69-78	Y (EXC. T.W., TEL. WHL.)	7832112	1 .98	WASHER, SHIFT TUBE THRUST
<b>4.070</b>		<b>BRACKET-CABLE -RETAINER, Transmission Control Lock Cable</b>		
69-82	Y	3949078	1 3.75	BRACKET, STRG COL LWR MT
69-78	Y (M40)	3949085	1 11.25	BRACKET
69-78	Y	3949075	1 17.75	CABLE (21 1/8")
6E-74	Y	516213	AR .30	RETAINER, FRT AND RR (4.785)

**AUTOMATIC TRANSMISSION (1953 - 1967)**

<b>4.008</b>	<b>PLUG-SPRING, Transmission Gearshift Control Hand Lever</b>			
65-67 Y	.....	3859792	1	9.30 PLUG .....
65-67 Y	.....	3874238	1	.35 SPRING, UPR .....
<b>4.010</b>	<b>BRACKET, Transmission Gearshift Hand Lever</b>			
<i>NOTE: FOR FLOOR SHIFT MODELS NOT USING STRG. COLUMN SHIFT LEVER HOUSING, SEE GROUP 6.518 FOR EQUIVALENT PART, LISTED AS A COVER, JACKET, HOUSING, ETC.</i>				
66-67 Y	.....	3858263	1	10.00 BRACKET, CONT LVR AND BRKT ADAP .....
<b>4.027</b>	<b>SPRING, Transmission Control Lever</b>			
65-67 Y	.....	3859791	1	1.35 SPRING, CONT LVR, LWR .....
<b>4.070</b>	<b>RETAINER, Transmission Control Lock Cable</b>			
62-65 Y	.....	516213	AR	.30 RETAINER (TO FRAME FRT ANCHOR) .....
63-67 Y	.....	516213	AR	.30 RETAINER, FRT AND RR .....

**BRAKES**

<b>4.665</b>	<b>CYLINDER-HOUSING-REPAIR KIT, Wheel Brake</b>			
<i>NOTE 1: WHEN USING 5465038 IN PLACE OF 5459917, IT WILL BE NECESSARY TO USE BLEEDER SCREW.</i>				
<i>NOTE 2: WHEN USING 18005633 IN PLACE OF 5465039, IT WILL BE NECESSARY TO USE BLEEDER SCREW W/METRIC THREAD.</i>				
<i>NOTE 3: CONSISTS OF 2 PISTONS, 2 CUPS, 1 SPRING AND 2 BOOTS.</i>				
<i>NOTE 4: WHEN SERVICING 1965-66 (STD. &amp; HEAVY DUTY) AND EARLY 1967 HEAVY DUTY ORIGINAL EQUIPMENT USE 1967-73 TYPE PISTONS. THE HEAVY DUTY APPLICATIONS WILL ALSO REQUIRE 1967-73 INSULATORS AND RETURN SPRINGS.</i>				
53-59 Y	.....	5461128	RH	20.25 CYLINDER, FRT (1 1/8" DIA., CAST 5453822) .....
53-59 Y	.....	18008609	LH	21.90 CYLINDER, FRT (1 1/8" DIA.) .....
58-62 Y (EXC. H.D. BRAKE/SUSP.)	.....	18005632	RH	20.00 CYLINDER, RR (NOTE 1) .....
58-62 Y (EXC. H.D. BRAKE SUSP.)	.....	18005633	LH	20.00 CYLINDER, RR .....
60-62 Y (EXC. H.D. BRAKE/SUSP.)	.....	18005633	LH	20.00 CYLINDER, FRT (1 1/2" DIA.) (NOTE 2) .....
60-62 Y W/H.D. BRAKE/SUSP.	.....	5461128	RH	20.25 CYLINDER, FRT (1 1/8" DIA., CAST 5453822) .....
60-62 Y W/H.D. BRAKE/SUSP.	.....	18008609	LH	21.90 CYLINDER, FRT (1 1/8" DIA.) .....
63-65 Y (EXC. DISC BRAKE)	.....	18005632	RH	20.00 CYLINDER, RR (NOTE 1) .....
63-65 Y (EXC. DISC BRAKES)	.....	18005633	LH	20.00 CYLINDER, RR .....
65-66 Y	.....	2621212	LH	121.00 HOUSING, RR BR CLPR INR (NOTE 4) .....
65-66 Y	.....	2621213	RH	121.00 HOUSING, RR BR CLPR INR (NOTE 4) .....
65-66 Y	.....	2621214	LH	121.00 HOUSING, RR BR CLPR OTR (NOTE 4) .....
65-66 Y	.....	2621215	RH	121.00 HOUSING, RR BR CLPR OTR (NOTE 4) .....
65-74 Y (EXC. H.D. BRAKES)	.....	2621202	LH	116.45 HOUSING, FRT BRK CLPR INR (NOTE 4) .....
65-74 Y (EXC. H.D. BRAKES)	.....	2621203	RH	116.45 HOUSING, FRT BRK CLPR INR (NOTE 4) .....
65-75 Y (EXC. H.D. BRAKES)	.....	2621208	2	116.45 HOUSING, FRT BRK CLPR OTR (NOTE 4) .....
65-75 Y W/H.D. BRAKES	.....	2621209	LH	97.00 HOUSING, FRT BRK CLPR INR (NOTE 4) .....
65-75 Y W/H.D. BRAKES	.....	2621210	RH	97.00 HOUSING, FRT BRK CLPR INR (NOTE 4) .....
65-75 Y W/H.D. BRAKES	.....	2621211	2	92.75 HOUSING, FRT BRK CLPR OTR (NOTE 4) .....
67-75 Y (EXC. H.D. BRAKES)	.....	2621204	LH	116.85 HOUSING, RR BR CLPR INR (NOTE 4) .....
67-75 Y (EXC. H.D. BRAKES)	.....	2621205	RH	116.85 HOUSING, RR BR CLPR INR (NOTE 4) .....
67-75 Y (EXC. H.D. BRAKES)	.....	2621207	LH	116.85 HOUSING, RR BRK CLPR OTR (NOTE 4) .....
67-75 Y (EXC. H.D. BRAKES)	.....	2621208	RH	116.80 HOUSING, RR BRK CLPR OTR (NOTE 4) .....
67 Y W/H.D. BRAKES (1ST DESIGN)	.....	2621212	LH	121.00 HOUSING, RR BRK CLPR INR (NOTE 4) .....
67 Y W/H.D. BRAKES (1ST DESIGN)	.....	2621213	RH	121.00 HOUSING, RR BRK CLPR INR (NOTE 4) .....
67-73 Y W/H.D. BRAKES (2ND DESIGN)	.....	2621214	LH	121.00 HOUSING, RR BRK CLPR OTR (NOTE 4) .....
67 Y W/H.D. BRAKES (1ST DESIGN)	.....	2621215	RH	121.00 HOUSING, RR BRK CLPR OTR (NOTE 4) .....
67-73 Y W/H.D. BRAKES (2ND DESIGN)	.....	2621215	RH	121.00 HOUSING, RR BRK CLPR OTR (NOTE 4) .....
67-73 Y W/H.D. BRAKES (2ND DESIGN)	.....	5461991	LH	91.25 HOUSING, RR BRK CLPR INR (NOTE 4) .....
67-73 Y W/H.D. BRAKES (2ND DESIGN)	.....	5462016	LH	90.75 HOUSING, RR BRK CLPR OTR (NOTE 4) .....
74 Y W/H.D. BRAKES	.....	2621212	LH	121.00 HOUSING, RR BRK CLPR .....
74-75 Y W/H.D. BRAKES	.....	2621213	RH	121.00 HOUSING, RR BRK CLPR INR .....
74 Y W/H.D. BRAKES	.....	2621214	LH	121.00 HOUSING, RR BRK CLPR OTR .....
74-75 Y W/H.D. BRAKES	.....	2621215	RH	121.00 HOUSING, RR BRK CLPR OTR .....
75-82 Y	.....	2621202	LH	116.45 HOUSING, FRT BRK CLPR INR .....
75-82 Y	.....	2621203	RH	116.45 HOUSING, FRT BRK CLPR INR .....
75 Y W/H.D. BRAKES	.....	5461991	LH	91.25 HOUSING, RR BRK CLPR INR .....
75 Y W/H.D. BRAKES	.....	5462016	LH	90.75 HOUSING, RR BRK CLPR OTR .....

**4.865 CYLINDER-HOUSING-REPAIR KIT, Wheel Brake (Cn't)**

76-82	Y	2621204	LH	116.85	HOUSING, RR BRK CLPR INR
76-82	Y	2621205	RH	116.85	HOUSING, RR BRK CLPR INR
76-82	Y	2621206	2	116.45	HOUSING, FRT BRK CLPR OTR
76-82	Y	2621207	LH	116.85	HOUSING, RR BRK CLPR OTR
76-82	Y	2621208	RH	116.80	HOUSING, RR BRK CLPR OTR
53-59	Y	5455856	AR	4.83	REPAIR KIT, RR (USE W/1 1/8" DIA CYL.) (NOTE 3)
53-64	Y (EXC. H.D. BRAKE/SUSP.)	5455855	AR	4.82	REPAIR KIT, RR
57-62	Y W/H.D. BRAKE/SUSP.	3771783	2	14.87	REPAIR KIT, RR (1 1/4" DIA.) (NOTE 3)
57-62	Y W/H.D. BRAKE/SUSP.	5463197	AR	5.00	REPAIR KIT, RR (USE W/7/8" DIA. CYL.) (NOTE 3)
60-64	Y (EXC. H.D. BRAKE/SUSP.)	5455856	AR	6.35	REPAIR KIT, FRT (1 3/16" DIA)
60-62	Y W/H.D. BRAKES, SUSP.	5455856	AR	4.83	REPAIR KIT, RR (USE W/1 1/8" DIA. CYL.) (NOTE 3)
60	Y W/H.D. BRAKE/SUSP.	5463197	AR	5.00	REPAIR KIT, FRT
65-66	Y (EXC. DISC BRAKE)	5455855	AR	4.82	REPAIR KIT, RR (1" DIA. CYL.) (NOTE 3)
65	Y (EXC. DISC BRAKE)	5455856	AR	6.35	REPAIR KIT, FRT (1 3/16" DIA.)

**4.881 BRACKET-SPRING, Brake Hose or Pipe**

NOTE 1: "L" SHAPE WITHOUT SIDE PROJECTION.

63-82	Y	J770241	LH	1.30	BRACKET, FRT FRAME (NOTE 1)
63-82	Y	3770242	RH	1.30	BRACKET, FRT FRAME (NOTE 1)
63-67	Y (EXC. H.D. BRAKE)	3828493	1	.69	BRACKET, RR BRK HOSE
68-74	Y (EXC. SP. H/PER.)	3828493	1	.69	BRACKET, RR BRK HOSE
75-82	Y	3828493	1	.69	BRACKET, RR BRK HOSE
53-82	Y	334981	AR	.45	SPRING, FRT AND RR BRK HOSE YOKE

**4.785 BRACKET-CONNECTOR-GUIDE-RETAINER, Parking Brake Cable**

64-81	Y	3960797	AR	3.50	BRACKET, PK BRK RR
65-82	Y	3864275	LH	.40	BRACKET, CBL GUIDE
65-82	Y	3864276	RH	.40	BRACKET, CBL GUIDE
68-79	Y	3913861	1	4.20	BRACKET, PK BRK TO C/MBR
82	Y	14044583	RH	3.50	BRACKET, PK BRK CBL RR
63-64	Y	3770112	AR	.40	CONNECTOR
68	Y (EXC. DISC BRAKE)	537485	2	.40	CONNECTOR
65-82	Y	3864278	2	.35	GUIDE, CBL
82	Y	14033718	1	1.30	GUIDE, PK BRK RR CBL
82	Y	14042299	1	1.35	GUIDE, PK BRK FRT CBL
62-65	Y	518213	AR	.30	RETAINER (70 FRAME FRT ANCHOR)
63-82	Y	518213	AR	.30	RETAINER, FRT AND RR

**5.001 BRACKET-PLATE-SUPPORT, Brake Flange**

65-82	Y	3864113	LH	21.35	BRACKET, CALIPER ADAP RR
65-82	Y	3864114	RH	21.35	BRACKET, CALIPER ADAP RR
65-82	Y	3928649	LH	14.60	BRACKET, CALIPER ADAP FRT
65-82	Y	3928650	RH	14.60	BRACKET, CALIPER ADAP FRT
65-82	Y	5465982	LH	15.05	PLATE, PARK BRK FLG RR
65-82	Y	5465983	RH	15.05	PLATE, PARK BRK FLG RR
68-76	Y W/H.D. BRK	3948880	RH	33.25	SUPPORT, CALIPER ADAP BRKT FRT
69-76	Y W/H.D. BRK	3948879	LH	34.50	SUPPORT, CALIPER ADAP BRKT FRT

**5.002 BOLT-GASKET-SHIELD, Brake Flange Plate**

65-82	Y	3864037	8	.59	BOLT, PARK BRK SPLASH SHIELD (3/8-24 X 2 7/8) (SHLDR DIA. 7/16)
65-82	Y	3864119	2	.72	BOLT, FRT CALIPER ADAP BRKT (11/16-16 X 7/8)
70	Y	1385922	AR	1.75	BOLT, FRT BRK FLANGE PLT SHORT
75-79	Y (EXC H.D. BRK)	1385922	AR	1.75	BOLT, STRG KNUCKLE ARM(SHORT)
75-79	Y (EXC H.D. BRK)	3871512	2	2.20	BOLT, STRG KNUCKLE ARM (LONG) (1/2-20 X 2 21/32)
75	Y W/H.D. BRK	3948881	2	2.45	BOLT, STRG KNUCKLE ARM(LONG)
82	Y	1385922	2	1.75	BOLT, STRG KNUCKLE ARM(SHORT)
82	Y	3871512	2	2.20	BOLT, STRG KNUCKLE ARM (LONG) (1/2-20 X 2 21/32)
63-65	Y (EXC DISC BRK)	3953431	2	.38	GASKET, FRT FLANGE PLT TO STRG KNU
65-82	Y	3953431	1	.38	GASKET, FRT BRK DISC SPLASH SHIELD
65-82	Y	3953423	LH	4.90	SHIELD, FRT DISC SPLASH
69-82	Y	3953424	RH	4.75	SHIELD, FRT DISC SPLASH

### 5.017 SHOE KIT, Brake

NOTE: METALLIC LININGS ARE DOUBLE SINTERED AS COMPARED TO THE SINGLE AND MUCH LARGER SINTERED CERAMETALIX LININGS.

NOTE 1: IN NO CASE SHOULD A BRAKE DRUM BE TURNED DOWN MORE THAN .030/.060 ON DIA.

NOTE 2: IN ORDER TO SERVICE ALL FOUR WHEELS, TWO KITS MUST BE ACQUIRED.

NOTE 3: USED FOR RACING APPLICATIONS ONLY.

53-60	Y (EXC H.D. BRK/SUSP)	1154134	1	N.L.	SHOE KIT, FRT (NON-METALLIC)
53-62	Y (EXC H.D. BRK/SUSP)	5470537	1		SHOE KIT, FRT (PRIM AND SECD) (NON-METALLIC)
63-64	Y	3794191	1	135.00	SHOE KIT, RR (11 X 2 3/4) (METALLIC)
64	Y	1154123	1	N.L.	SHOE KIT, FRT (.30 OS) (BONDED TYPE) (NON-METALLIC) (NOTE 1)
64	Y	1154134	1	N.L.	SHOE KIT, RR (BONDED TYPE) (PRIM AND SECD) (.030 O.S. FACINGS-GROOVED) (NON-METALLIC)
65-82	Y	12300212	1	N.L.	SHOE KIT, PARK BRK (NON-METALLIC)
65-82	Y W/DISC BRK (EXC H.D.)	1154122	1	N.L.	SHOE KIT, RR (RIVETED) (NON-METALLIC) (NOTE 2)
65-75	Y W/H.D. BRK	5452515	1	95.00	SHOE KIT, RR (BONDED) (NON-METALLIC)
65-75	Y W/H.D. BRK (DISC)	5468882	1	390.00	SHOE KIT, FRT (NON-METALLIC) (HEAVY DUTY) (NOTE 3)
66-82	Y (EXC H.D.)	1154122	1	N.L.	SHOE KIT, FRT (RIVETED) (NON-METALLIC) (NOTE 2)
75-82	Y	12300212	1	N.L.	SHOE KIT, PARK BRK W/FACING

### 5.026 SPRING-SPRING KIT, Brake Shoe

NOTE 1: EACH UNIT CONTAINS MATERIAL FOR ONE WHEEL.

53-62	Y	3707417	AR	.90	SPRING, ADJ SCREW, FRT AND RR
58-82	Y (EXC METALLIC LININGS, H.D. BRK/SUSP)	3739278	2	.54	SPRING, PULL BACK FRT SECD
63-86	Y (EXC DISC BRK)	3887347	AR	.64	SPRING, ADJ SCREW, FRT AND RR (2 31/32 O.L. GREEN)
65-82	Y	5465943	2	1.02	SPRING, PARK BRK PULL BACK
65-82	Y	5465944	2	.63	SPRING, PARK BRK ADJ SCREW
63-58	Y	3981995	1	2.90	SPRING KIT, (NOTE 1)
59-82	Y (EXC H.D. BRK)	3981995	1	2.90	SPRING KIT, (NOTE 1)
63-84	Y (EXC H.D. BRK)	3981988	1	5.05	SPRING KIT, (NOTE 1)
63-84	Y W/METALLIC LININGS	3981988	1	5.05	SPRING KIT, (NOTE 1)

### 5.043 PIN-PIN KIT, Brake Shoe Hold Down

65-82	Y (EXC. H.D.)	5467815	AR	1.59	PIN, FRT AND RR RET (5/16 X 3 27/32)
53-82	Y	325075	1	4.55	PIN KIT, PARK BRK SHOE HOLD DOWN

### 5.045 PLATE, Brake Shoe Guide

59-82	Y W/METALLIC LININGS (EXC H.D. BRK/SUSP)	18002428	AR	.56	PLATE, FRT AND RR (2 1/2 O.L. X 9/64 THICK)
-------	--	----------	----	-----	---

### 5.056 BOLT-CLIP, Brake Shoe Anchor Pin

65-82	Y	5467056	2	1.24	BOLT, PARK (1/2-20 X 2)
65-82	Y	5465995	2	.43	CLIP, PARK LVR PIVOT PIN

### 5.110 KIT-SCREW-WASHER, Brake Shoe Adjusting

NOTE 1: KIT CONTAINS SCREW, NUT & SOCKET FOR ONE WHEEL.

53-82	Y	3981978	1	2.80	KIT, (NOTE 1)
63-64	Y (EXC H.D. BRK)	3997399	LH	2.80	KIT, (NOTE 1)
63-64	Y (EXC H.D. BRK)	3997400	RH	2.75	KIT, (NOTE 1)
53-82	Y	496351	AR	1.50	SCREW, FRT AND RR (BENDIX 29491)
65-82	Y	5467297	2	2.74	SCREW, W/NUT, PARK BRK ADJ PIVOT
63-64	Y (EXC SP/PER)	5462496	4	.45	WASHER, FRT AND RR ADJ SCREW (1/4 I.D. X 7/8 O.D.)

### 5.111 SOCKET, Brake Shoe Adjusting Screw

65-82	Y	5465948	2	1.44	SOCKET, PARK BRK
-------	---	---------	---	------	------------------

### 5.149 LEVER-LEVER KIT, Parking Brake

58-85	Y	471893	LH	3.00	LEVER,
65-82	Y	5468678	LH	5.80	LEVER,
65-82	Y	5468679	RH	5.40	LEVER,
53-85	Y	471894	RH	3.00	LEVER KIT,

### 5.150 STRUT, Parking Brake Lever

65-82	Y	5463537	LH	1.70	STRUT,
65-82	Y	5463538	RH	1.65	STRUT,
65	Y (EXC DISC BRK)	3825500	AR	3.05	STRUT,

### 5.158 RETAINER-WASHER, Parking Brake Lever

68-76	Y	3998666	1	1.55	RETAINER, U/B TUN RR CNSL PARK BRK LVR SEAL
53-79	Y	1300540	2	.38	WASHER, SPR STEEL (17/32 HOLE)
65-82	Y	5465996	2	.48	WASHER, PIVOT PIN



**5.380 BRACKET-SHIM-SUPPORT-WASHER, Rear Axle Control Arm**

63-67 Y	3817827	1	11.70	BRACKET, RR WHL SPDL SUPT STRUT
65-82 Y	3864277	2	1.20	BRACKET, RR SUSP TORQ BPR
65-75 Y	3866045	LH	4.85	BRACKET, RR SUSP CONT ARM BPR
68-79 Y	356932	1	18.25	BRACKET, RR WHL SPDL SUPT STRUT
76-81 Y	357769	LH	3.70	BRACKET, RR SUSP CONT ARM BPR
76-81 Y	357770	RH	3.70	BRACKET, RR SUSP CONT ARM BPR
80-82 Y	14014608	1	18.25	BRACKET, RR WHL SPDL SUPT STRUT
83-82 Y	3983392	AR	1.35	SHIM, RR SUSP TORQ CONT ARM (4 1/2 X 1/4 W/17/32 DIA. OBLONG HOLE)
83-82 Y	3983393	AR	1.05	SHIM, RR SUSP TORQ CONT ARM (4 1/2 X 1/8 W/17/32 DIA. OBLONG HOLE)
83-82 Y	3983394	AR	1.05	SHIM, RR SUSP TORQ CONT ARM (4 1/2 X 1/32 W/17/32 DIA. OBLONG HOLE)
83-82 Y	3983395	AR	1.05	SHIM, RR SUSP TORQ CONT ARM (4 1/2 X 1/64 W/17/32 DIA. OBLONG HOLE)
83-82 Y	348103	LH	80.75	SUPPORT, CONT ARM TO SPDL
83-82 Y	348104	RH	80.75	SUPPORT, CONT ARM TO SPDL
80-82 Y	14034488	AR	.71	WASHER, RR WHL SPINDLE

**5.381 BUSHING-PLATE-RETAINER-SHAFT, Rear Axle Control Arm**

63-82 Y	3743857	4	3.85	BUSHING, RR SUSP TORQ ARM
80-82 Y	527595	2	7.75	BUSHING, DIFF CARR SUPT
63-82 Y	3820418	4	.66	PLATE, RR SUSP TORQ ARM BSHG
63-82 Y	3819806	2	1.45	RETAINER, RR SUSP TORQ ARM BSHG
63-82 Y	3910701	1	.80	RETAINER, RR SPRING CUSH INR(7.545)
63-82 Y	3829205	LH	34.75	SHAFT, RR WHL SPDL SUPT STRUT
63-82 Y	3829206	RH	34.75	SHAFT, RR WHL SPDL SUPT STRUT

**5.382 ARM, Rear Axle Control**

NOTE 1: SEE BOLT 3875097 IN GROUP 5.383.  
NOTE 2: SEE BOLT 3864037 IN GROUP 5.002.

63-85 Y (EXC DISC BRK)	14035863	LH	140.00	ARM, TORQ CONT (LESS BOLTS) (NOTE 2)
63-85 Y (EXC DISC BRK)	14035864	RH	140.00	ARM, TORQ CONT (LESS BOLTS) (NOTE 1)
65-77 Y W/DISC BRK	14035863	LH	140.00	ARM, TORQ CONT (LESS BOLTS) (NOTE 2)
65-77 Y W/DISC BRK	14035864	RH	140.00	ARM, TORQ CONT (LESS BOLTS) (NOTE 2)
75-82 Y	14035863	LH	140.00	ARM, TORQ CONT
75-82 Y	14035864	RH	140.00	ARM, TORQ CONT

**5.383 BOLT-NUT-WASHER, Rear Axle Control Arm**

63-82 Y	458984	2	1.05	BOLT, RR TORQ CONT ARM
68 Y W/T.H.	458984	2	1.05	BOLT, 3
69-79 Y	458987	2	2.70	BOLT, DIFF CARR MT BRKT
75-77 Y	335224	AR	1.00	BOLT, DIFF CARR CVR
63-80 Y	3774712	2	.44	NUT, RR TORQ CONT ARM
77-82 Y	3891530	AR	.38	NUT, RR SHOCK ABS (LWR END)
63-82 Y	476359	4	.28	WASHER, RR TORQ CONT ARM

**5.390 STRAP, Rear Axle Rebound**

53-82 Y	3774449	2	6.10	STRAP (29 1/2 DEV. LENGTH) (5.410)
---------	---------	---	------	------------------------------------

**5.395 BUMPER, Rear Axle**

65-75 Y	3864280	2	2.90	BUMPER, RR SUSP TORQ CONT ARM
---------	---------	---	------	-------------------------------

**5.400 GASKET-PLUG-SCREW, Rear Axle or Final Drive Filler and Drain**

53-74 Y	3921989	AR	.48	GASKET (1/2" I.D. X 29/32" O.D.) (1.456)
58-64 Y	344829	1	.58	PLUG (1-20 SQ. HD.-1 3/8 DIA. FLANGE)
65-79 Y	3866433	1	1.25	PLUG, W/INSTR TAG (1 7/64 O.L.)
80-82 Y	14024358	1	3.30	PLUG, FILLER
57-87 Y	3923420	1	.61	SCREW (1/2"-20 X 13/16") (1.453)

**5.415 ROD-STRUT, Rear Axle Tie**

80-82 Y	14010399	2	36.75	ROD, RR WHL SPDL
63-74 Y	459076	2	36.75	STRUT, RR WHL SPDL SUPT
75-79 Y	459076	2	36.75	STRUT, RR WHL SPDL SUPT

**5.417 BUSHING-CAM-CAP, Rear Axle**

60-82 Y	3764839	2	3.55	BUSHING, RADIUS ROD
63-74 Y	3775762	1	5.45	BUSHING, RR WHL SPDL SUPT STRUT
74-82 Y	3829519	4	5.60	BUSHING, RR WHL STRUT ROD
63-82 Y	458979	2	5.65	CAM, RR WHL SPDL SUPT STRUT ADJ
63-82 Y	3790331	2	.60	CAM, RR WHL SPDL SUPT STRUT ADJ
63-82 Y	348390	4	.45	CAP, RR WHL SPDL SUPT STRUT BUSHING

**5.418 SUPPORT-WASHER, Rear Axle Tie Rod**

63-79 Y	3775513	2	14.85	SUPPORT, RR SUSP OTR MT (5 1/8 O.D.)
80-81 Y	3918493	4	.37	WASHER (SEE GROUP 3.023 FOR USAGE)

5.420		SHAFT, Rear Axle					
63-79	Y	380912	2	81.50	SHAFT, RR WHL DR UJT		
80-81	Y W/A.T.	14009998	2	149.00	SHAFT, RR WHL DR UJT		
80	Y W/M.T.	14009999	2	162.00	SHAFT, RR WHL DR UJT		
81	Y W/M.T. (M18)	14035651	2	162.00	SHAFT, RR WHL DR UJT		
82	Y	14035651	2	162.00	SHAFT, RR WHL DR UJT		

5.425		DEFLECTOR-FLANGE-REPAIR KIT-SHAFT-SHIELD-YOKE, Rear Axle Universal Joint					
63-79	Y	3819195	2	.51	DEFLECTOR, DIFF CARR UJT YOKE		
63-82	Y	3820241	2	.72	DEFLECTOR, RR WHL SPDL FLANGE DUST		
63-80	Y	380913	2	60.75	FLANGE, RR WHL UJT YOKE		
80-81	Y W/M.T.	14067677	2	29.75	REPAIR KIT, RR WHL DR SHF U/JT (DANA 5-447X)		
80-81	Y W/M.T. (M18)	14067677	2	29.75	REPAIR KIT, RR WHL DR SHF U/JT (DANA 5-447X)		
82	Y	14067677	2	29.75	REPAIR KIT, RR WHL DR SHF U/JT (DANA 5-447X)		
80-81	Y W/3.07R, A.T.	14024377	LH	111.00	SHAFT, YOKE (DANA 70987-1X)		
80-81	Y W/3.07R, A.T.	14024378	RH	111.00	SHAFT, YOKE (DANA 70987-2X)		
80-81	Y W/3.07R, M.T.	14024379	LH	149.00	SHAFT, YOKE (DANA 71090-1X)		
80-81	Y W/3.07R, M.T.	14024380	RH	149.00	SHAFT, YOKE (DANA 71090-2X)		
82	Y	14055964	2		SHIELD, RR WHL U/JT SHAFT SPH		
63-67	Y (327)	14016436	2	82.00	YOKE, DIFF CARR UJT		
65-67	Y (396, 427) W/P/TRAC	3872922	2	82.00	YOKE, DIFF CARR UJT		
65-67	Y (396, 427) (EXC P/TRAC)	14016436	2	82.00	YOKE, DIFF CARR UJT		
68-75	Y W/H.D. FLANGE	3872922	2	82.00	YOKE, DIFF CARR UJT		
75-79	Y (EXC H.D. FLANGE)	14016436	2	82.00	YOKE, DIFF CARR UJT		

5.428		BEARING-BOLT-CAP-LOCK-RETAINER-RING, Rear Axle U Joint					
65-79	Y	3847933	16	3.10	BEARING, UJT YOKE TRUN		
80-81	Y W/3.07R (DANA)	7451785	2	N.L.	BEARING, YOKE (INR) (5.855)		
80-81	Y	14023500	4	.64	BOLT, PROP SHF TO RR AXLE		
80-81	Y W/A.T.	14023500	16	.64	BOLT, RR WHL DR UJT SHF (1/4-20 X .620)		
80-81	Y W/A.T. (MV4, M33, MX3)	14023500	2	.64	BOLT, UJT BEARING STRAP(5.428)		
65	Y (396) SP./H/PER.	3872909	4	10.45	CAP, RR DRIVE SHAFT UJT BRG		
66-75	Y	3872909	4	10.45	CAP, RR DRIVE SHAFT UJT BRG		
63-79	Y	3880543	4	.35	LOCK, YOKE FLANGE BOLT (ROUND BRIDGE), RR WHL DRIVE SHF UJT YOKE FLANGE BOLT		
80	Y W/A.T. (MV4, M33)	14018211	8	1.15	RETAINER, RR WHL DR UJT SHF		
81	Y W/A.T. (MX3)	14018211	8	1.15	RETAINER, RR WHL DR UJT SHF		
82	Y W/A.T. (MD8)	14018211	8	1.15	RETAINER, RR WHL DR UJT SHF		
63-79	Y	3819196	2	.35	RING, DIFF CARR UJT YOKE RET		

5.430		SEAL, Rear Axle U Joint					
63-79	Y	3820419	2	3.50	SEAL, DIFF CARR UJT YOKE BRG OIL		
64-78	Y	3847932	16	.50	SEAL, RR WHL DRIVE SHF UJT YOKE TRUN BRG		
80-81	Y	14024364	2	3.50	SEAL, YOKE (INR) (SOURCE #531660)		

5.500		BRACKET-CUSHION-GUSSET-REINFORCEMENT, Differential Carrier Mounting					
63-68	Y (EXC. T.H.)	3868799	1	11.75	BRACKET,		
68	Y W/T.H.	3921657	1	9.25	BRACKET,		
69-79	Y	3921657	1	9.25	BRACKET,		
80-82	Y	477462	1	11.75	BRACKET, FRM FRT		
63-79	Y	3788637	1	2.20	CUSHION, FRT UPR (9.023)		
63-79	Y	3795333	1	2.70	CUSHION, FRT LWR (9.023)		
75-81	Y	348064	RH	21.80	GUSSET, FRT		
80-82	Y	477471	LH	22.00	GUSSET, FRT CR/MBR		
80-82	Y	475379	LH	8.25	REINFORCEMENT, FRT CR/MBR		
80-82	Y	475380	RH	8.25	REINFORCEMENT, FRT CR/MBR		

5.505		CARRIER, Differential, with Cap					
NOTE 1: DIFFERENTIAL (POSITRACTION) (COMPLETE WITH RING GEAR AND PINION).							
63-79	Y	3917861	1	183.00	CARRIER, W/CAP(INCOMPLETE)		
80-82	Y	14024326	1	154.00	CARRIER, W/CAP(DANA 70986X)		
80	Y W/A.T., 3.07R	14020911	1	708.00	CARRIER (DANA) (NOTE 1)		
80	Y W/M.T., 3.07R	14020912	1	708.00	CARRIER (DANA) (NOTE 1)		
81	Y W/A.T., 2.87R	14030481	1	738.00	CARRIER, (NOTE 1)		
81	Y W/A.T., 2.72R	14035676	1	869.00	CARRIER (DANA)		
81	Y W/M.T., 2.72R	14030482	1	738.00	CARRIER, (NOTE 1)		
82	Y	14035693	1	968.00	CARRIER,		
82	Y W/2.87R	14046995	1	940.00	CARRIER,		

### 5.544 SHAFT, Propeller

NOTE: SEE DEALER PRICE SCHEDULE FOR APPLICABLE PRICES

68-70	Y W/A.T. (M40)	378231	1	228.00	SHAFT, W/U/JT
71-77	Y W/M.T. (M20, M21), A.T. (M40)	378231	1	228.00	SHAFT, W/U/JT
76	Y W/A.T. (M38)	378231	1	228.00	SHAFT, W/U/JT
77-79	Y W/A.T. (M38)	378231	1	228.00	SHAFT, W/U/JT
78-79	Y W/M.T. (M20) (EXC. SP H/PER.)	378231	1	228.00	SHAFT, W/U/JT
78-79	Y W/M.T. (M21)	378231	1	228.00	SHAFT, W/U/JT
80	Y W/A.T. (MV4, M33)	14014803	1	228.00	SHAFT, W/U/JT
80-81	Y W/M.T. (M18)	14014808	1	228.00	SHAFT, W/U/JT
81	Y W/A.T. (MX3)	14014803	1	228.00	SHAFT, W/U/JT
82	Y W/A.T. (MD8)	14041083	1	185.00	SHAFT, W/U/JT

### 5.548 REPAIR KIT, Propeller Shaft Universal Joint

NOTE: NOS. FOLLOWING MODEL USAGES ARE FORGED ON THE FRT. AND REAR YOKES RESPECTIVELY.

NOTE 1: CONSISTS OF 1 TRUNNION ASM., 4 BEARINGS, 4 NUTS, 4 SNAP RINGS, 2 BOLTS, 4 WASHERS AND 4 SEALS.

NOTE 2: CONSISTS OF 4 SNAP RINGS, 2 BOLTS, 4 WASHERS, 4 NUTS AND 1 U JOINT TRUNNION AND BEARING ASM.

NOTE 3: WHEN USING 386451 OR 1482672 ALSO USE 3721887 SNAP RING (5.586)

55-67	Y	386451	AR	N.L.	REPAIR KIT, W/GREASE FTG (ALL LOCATIONS) (FGER DIA 615) (NOTE 1, 3)
63-80	Y	374246	4	N.L.	REPAIR KIT, RR WHL DRIVE SHAFT U/JT (NOTE 2)
69-70	Y (EXC. T.H. 400)	386451	AR	N.L.	REPAIR KIT, W/GREASE FTG (ALL LOCATIONS) (FGER DIA 615) (NOTE 1, 3)
68-70	Y W/T.H.	390133	2	27.50	REPAIR KIT (DANA 5-229X) (NOTE 3)
71-80	Y	390133	2	27.50	REPAIR KIT (DANA 5-229X) (NOTE 3)
75-79	Y	374246	1	N.L.	REPAIR KIT, UJT
78-79	Y W/M.T.	390133	1	27.50	REPAIR KIT, FRT PROP UJT (DANA 5-229X)
80-82	Y W/A.T.	386451	2	N.L.	REPAIR KIT, U/JT FRT AND RR, W/GREASE FTG (FGER DIA 615) (NOTE 1, 3)
80-81	Y W/A.T.	390133	1	27.50	REPAIR KIT, RR WHL DR SHF U/JT
80-81	Y W/M.T.	374246	1	N.L.	REPAIR KIT, RR DR UJT (DANA 5-282X) (5.548)
80-81	Y W/M.T.	386451	1	N.L.	REPAIR KIT, U/JT RR, W/GREASE FTG (DANA 5-252X)
80-81	Y W/M.T.	390133	1	27.50	REPAIR KIT, U/JT FRT (DANA 5-229X) (NOTE 3)
82	Y	374246	1	N.L.	REPAIR KIT, RR DR UJT (DANA 5-282X) (5.548)

### 5.555 YOKE, Universal Joint

63	Y W/MUNCIE 4-SPD.	3868728	1	95.00	YOKE, FRT U/JT
64	Y (EXC. P.G.)	3868728	1	95.00	YOKE, FRT U/JT
65-70	Y (EXC. T.H. 400)	3868728	1	95.00	YOKE, FRT U/JT
68-70	Y W/T.H. 400	3930827	1	72.25	YOKE, U/JT SLEEVE FRT
71-76	Y (EXC. T.H. 350)	3930827	1	72.25	YOKE, U/JT SLEEVE FRT
76-79	Y W/A.T. (M38)	378747	1	73.50	YOKE, PROP SHF SLIP (DANA 2-3-7091X)
77	Y W/M.T. (M20, M21), A.T. (M40)	3930827	1	72.25	YOKE, U/JT SLEEVE FRT
78-79	Y W/M.T. (M20)	378747	1	73.50	YOKE, PROP SHF SLIP (DANA 2-3-7091X)
78-79	Y W/M.T. (M21)	3930827	1	72.25	YOKE, U/JT SLEEVE FRT
80	Y W/A.T. (MV4, M33)	14022138	1	87.00	YOKE, SLIP
80-81	Y W/M.T. (M18, M20, M21)	3930827	1	72.25	YOKE, U/JT SLEEVE FRT
81-82	Y W/A.T. (MX3)	14022138	1	87.00	YOKE, SLIP

### 5.560 RETAINER-SEAL, Propeller Shaft Universal Joint Trunnion

80-82	Y	14018211	8	1.15	RETAINER, PROP SHF (5.428)
63-64	Y	3708038	AR	.54	SEAL, YOKE BRG
64-79	Y (EXC A.T. M38)	3841923	AR	.54	SEAL, YOKE BRG (1 1/32 O.D. X 21/32 I.D.)

### 5.566 SPACER, Universal Joint Yoke Trunnion

68-70	Y W/T.H.	3856809	AR	.33	SPACER, TRUN BRG (DANA 230727-1)
71-79	Y (EXC A.T. M38)	3856809	AR	.33	SPACER, TRUN BRG (DANA 230727-1)

5.586		BOLT-RETAINER-RING-U BOLT, Universal Joint Bearing and Flange			
86-70	Y W/T.H	3887348	4	38	BOLT, SHF AND U/JT STRAP (5/16-24 X 1 7/16)
71-82	Y	3887348	4	38	BOLT, SHF AND U/JT STRAP (5/16-24 X 1 7/16)
80-82	Y	458300	16	36	BOLT, PROP SHAFT U/JT(5/16-24 X 3/4)
80-82	Y	14023500	4	64	BOLT, SHF AND U/JT TO AXLE(5.428)
80	Y W/A.T. (MV4, M33)	14023500	4	64	BOLT, SHF AND U/JT STRAP(5.428)
81-82	Y W/A.T. (MX3)	14023500	4	64	BOLT, SHF AND U/JT STRAP(5.428)
82	Y W/A.T. (MD8)	14023500	4	64	BOLT, U/JT BRG STRAP(5.428)
88-80	Y	3882979	2	33	RETAINER, PROP SHF
80-82	Y	363897	8	105	RETAINER, RR WHL DR U/JT SHF
53-62	Y	3721887	AR	35	RING, FRT
55-79	Y (EXC A.T. M38)	3721887	AR	35	RING (ALL LOCATIONS)(FINGER DIA 596)
74-79	Y	3721973	1	40	RING, BRG SNAP
53-72	Y	1358938	AR	115	U BOLT, U/JT TRUN BRG (5/16-18) (W/FINGER DIA .596)
65-67	Y	2086840	1	96	U BOLT, SHF AND U/JT (TRUNNION FINGER DIA OF 25/32)
71-80	Y	2086840	AR	96	U BOLT, SHF AND U/JT (TRUNNION FINGER DIA OF 25/32)

### 5.803 WHEEL, Front or Rear

NOTE: ONE PIECE RIMS, 5.25" OR LARGER RIMS HAVE A 15-DEGREE TAPER BEAD SEAT, AND ARE USED FOR TUBELESS TIRES. SMALLER RIMS HAVE 5 DEGREE TAPER BEAD SEAT, AND ARE USED FOR BOTH TUBELESS AND TUBE TIRES.

54-62	Y	3834956	AR	57.75	WHEEL (15 X 5K)(RIVETED)
57-64	Y (EXC KNOCK OFF WHLS)	3838080	AR	53.50	WHEEL (15 X 5.5K)(RIVETED)
65-68	Y (EXC KNOCK OFF WHLS)	3869156	AR	73.00	WHEEL (15 X 5.5K)(WELDED)
67	Y W/DISC BRAKES (EXC ALUM WHL)	3968773	AR	75.75	WHEEL (15 X 6JK)(WELDED)
69-82	Y (EXC ALUM WHL)	327708	AR	77.75	WHEEL (15 X 8.00JJ) (STAMPED AZ) (WELDED)
76-78	Y W/ALUM WHL (YJ8)	14009704	4	189.00	WHEEL (15 X 8.00)
78-82	Y	472545	AR	77.75	WHEEL, SPA(15 X 5.00JJ)(STAMPED YA)
78	Y W/Z78	14002370	4	189.00	WHEEL (15 X 8.00)(ALUM)
79	Y W/ALUM WHL (N90)	14009704	AR	189.00	WHEEL (15 X 8.00)
81-82	Y W/ALUM WHL (N90)	14022120	AR	189.00	WHEEL (15 X 8.00)
82	Y07	14050644	AR	189.00	WHEEL (15 X 8) (STAMPED 3H)
82	Y87 W/ALUM WHL (N90)	14022120	AR	189.00	WHEEL (15 X 8)

### 5.806 FLANGE-SPINDLE-YOKE, Rear Wheel

63-79	Y	3839830	2	57.50	FLANGE, SPDL
63-64	Y	3820239	2	145.00	SPINDLE, W/BOLTS
65	Y (EXC DISC BRK)	3820239	2	145.00	SPINDLE, W/BOLTS
65	Y W/DISC BRK	3872476	2	145.00	SPINDLE, W/BOLTS
68-82	Y	3872476	2	145.00	SPINDLE, W/BOLTS
80-81	Y W/A.T.	14018209	2	74.25	YOKE, SPDL
80-81	Y W/M.T.	14018210	1	74.25	YOKE, SPDL
82	Y W/A.T.	14018210	1	74.25	YOKE, SPDL

### 5.809 DISC-DRUM-HUB, Front and Rear Wheel Brake

65-82	Y	3996863	2	162.00	DISC, RR BRK(FIN)
53-62	Y (EXC METALLIC LININGS, H.D. BRK)	3985944	2	66.25	DRUM, FRT
53-65	Y (EXC METALLIC LININGS, H.D. BRK, SP/PER)	3985944	2	66.25	DRUM, RR
63-65	Y (EXC METALLIC LININGS)	3872326	2	70.00	DRUM, FRT
65-68	Y	3998278	2	179.00	HUB, W/DISC.FRT
69-82	Y	3991024	2	180.00	HUB, W/DISC.FRT

### 5.813 NUT, Hub Front and Rear

53-82	Y	358501	AR	57	NUT, WHL HUB BOLT (7/16-20)
63-65	Y W/KNOCK OFF WHLS	3852554	AR	2.30	NUT (7/16-20)
73-75	Y W/CAST ALUM WHL	329383	20	4.90	NUT (7/16-20)
78-82	Y W/CAST ALUM WHL	371874	20	3.85	NUT (7/16-20)

### 5.315 SHIELD, Rear Wheel Bearing Dust

63-82	Y	3820238	2	1.25	SHIELD, INR
-------	---	---------	---	------	-------------

### 5.816 RING-SPACER, Rear Axle Shaft Bearing

58-62	Y (EXC P/TRAC)	9776340	2	2.65	RING, RET (1 3/8 I.D. X 1 31/32 O.D.)
63-82	Y	3820224	2	5.30	SPACER, RR WHL BRG

### 5.822 O RING-SEAL-SEAL KIT, Rear Axle Shaft Bearing or Hub

NOTE 1: CONSISTS OF AN O RING AND SEAL ASM. W/RETAINER

58	Y	3707389	2	1.15	O RING, RR WHL BRG (2 5/8 I.D. X .103)
60-62	Y (EXC P/TRAC)	3772034	2	1.15	O RING (2 7/8 I.D. X .070)
63-82	Y	3794002	2	4.25	SEAL, RR WHL INR BRG
63-82	Y	3794008	2	4.25	SEAL, RR WHL OTR BRG
60-62	Y (EXC. P/TRAC.)	3772999	2	6.90	SEAL KIT, RR WHL BALL BRG (NOTE 1)

<b>5.829 NUT, Rear Axle</b>				
53-82 Y	378137	2	70	NUT, RR WHL SPDL FLG(6 022)
63-84 Y	3891530	2	38	NUT, RR WHL SPDL SUPT STRUT ADJ CAM (1/2-20) (5 383)

<b>5.830 WASHER, Rear Axle</b>				
63-82 Y	3839832	2	1 20	WASHER, RR WHL SPDL FLG (7/32 THK.)

<b>5.855 BEARING-BEARING KIT-SHIM, Rear Wheel</b>				
63-82 Y	7450700	2	N.L.	BEARING, OTR (6.311)
63-82 Y	7451202	2	N.L.	BEARING, INR (HYATT A-200233-Z) (5 447)
58-82 Y	907294	2	50.85	BEARING KIT, W/RET RING (NDRW 607BRSY1Z)
63-82 Y	3820225	1	.84	SHIM, BRG (.145)
63-82 Y	3820226	1	.84	SHIM, BRG (.139)
63-82 Y	3820227	1	.84	SHIM, BRG (.133)
63-82 Y	3820228	1	.84	SHIM, BRG (.127)
63-82 Y	3820229	1	.84	SHIM, BRG (.121)
63-82 Y	3820230	1	.84	SHIM, BRG (.115)
63-82 Y	3820231	1	.84	SHIM, BRG (.109)
63-82 Y	3820232	1	.84	SHIM, BRG (.103)
63-82 Y	3820233	1	.84	SHIM, BRG (.097)

<b>9.023 CUSHION-CUSHION KIT-INSULATOR-SHIM-SPACER, Body to Frame Bolt</b>				
64-67 Y	3842913	AR	2.45	CUSHION, NO. 3, 4
64-67 Y	3842914	AR	1.05	CUSHION, NO. 3, 4
64-67 Y37	3842913	AR	2.45	CUSHION, NO. 1 (W/SPACER)
64-67 Y37	3842914	AR	1.05	CUSHION, NO. 1 (1 5/8" O D X 1/2" THK.)
70-79 Y	3788637	1	2.20	CUSHION, DIFF CARR FRT MT UPR
70-82 Y	3795333	1	2.70	CUSHION, DIFF CARR FRT MT LWR
73-82 Y	334756	AR	4.50	CUSHION, BODY BOLT (1, 2, 3, 4)
73-76 Y67	334755	4	4.50	CUSHION KIT, #2 AND #3 BODY BOLT
73-80 Y	334784	2	2.90	INSULATOR, #1 BODY BOLT (BLACK)
73-82 Y	334765	2	2.90	INSULATOR, #3 BODY BOLT (PINK)
80-82 Y	14010397	1	5.90	INSULATOR, DIFF CARR UPR
53-82 Y	366981	AR	.44	SHIM, STEEL (3 X 1 1/2" X 1/16") W/ONE 5/8" X 1" HOLE CTRD, ONE 7/8" WIDE SLOT IN ONE END
63-67 Y	3832279	4	.98	SPACER, FRT BPR BOLT

<b>9.190 BRACKET-BUSHING-CONDENSER-SCREW-SLEEVE KIT, A.C. Condenser</b>				
73-92 Y	336437	LH	3.80	BRACKET, CNDSR
73-82 Y	336438	RH	3.80	BRACKET, CNDSR
74-82 Y	382102	4	.35	BUSHING, CNDSR (4.037)
69-72 Y	3949932	1	150.45	CONDENSER
73-82 Y	3028820	1	159.50	CONDENSER
74-82 Y	3027371	AR	.30	SCREW, CNDSR BRKT (10 X 32)
78-82 Y	1394293	4	.58	SLEEVE KIT, W/BSHG, CNDSR (4.037)

<b>9.242 BRACKET-CLIP-STRAP, A.C. Compressor</b>				
<i>NOTE 1: NO COMPARABLE 1ST DESIGN. 2ND DESIGN IS WITH SHORT STACK MOTOR.</i>				
77-79 Y (2ND DESIGN 1977)	3036586	1	9.20	BRACKET, EVAP TUBE (NOTE 1)
80-82 Y	3042545	1	9.20	BRACKET, EVAP TUBE
64-68 Y	3853968	1	.85	CLIP, HTR HOSE TO CMPR FITTING AND MUFF
70-76 Y	3853968	1	.85	CLIP, HTR HOSE TO CCMR FITTING AND MUFF
82 Y	3979355	AR	.33	CLIP, PHOS-FIN-HOLE (11/32"-TUBE 5/16")
73-74 Y	3917385	1	.35	STRAP, HTR AND A.C. HOSES (PLASTIC)
74-82 Y	3917385	AR	.35	STRAP, A.C. HOSES (PLASTIC)
76-82 Y	14009215	AR	1.25	STRAP, BIND (BLACK) (7.87MM X 436.9MM)

9.262

**ADAPTER-CLIP-COVER-DEFLECTOR-DUCT-OUTLET-PANEL-PLATE-SCREW-SEAL-SPACER-VALVE-WASHER, Air Distributor**

NOTE 1: REWORK AND TAPE AS NECESSARY TO INSURE ADEQUATE FIT AND SEALING  
 NOTE 2: CHROME EDGES ONLY.  
 NOTE 3: ALL CHROME FINISH.

74-79 Y	3908004	1	50	ADAPTER, AIR DIST DUCT
77-82 Y	375972	1	39	CLIP, CTR OTLT RET END
77-79 Y (EXC. A.C.)	379999	1	1.70	COVER, CTR OTLT
70-77 Y	331518	2	20.60	DEFLECTOR, AIR SI OTLT
74-77 Y	336470	1	8.90	DEFLECTOR, AIR LWR OTLT DUCT
77-78 Y (1ST DESIGN 1977)	3937181	1	8.70	DEFLECTOR, AIR CTR OTLT (NOTE 3)
77-82 Y (2ND DESIGN 1978)	336485	1	4.80	DEFLECTOR, AIR CTR OTLT (NOTE 2)
78-82 Y	469048	2	4.30	DEFLECTOR, AIR SI OTLT
68-77 Y	3949988	RH	17.20	DUCT, AIR SI OTLT (NOTE 1)
69-74 Y	3949987	LH	11.90	DUCT, AIR SI OTLT
74-77 Y	336472	LH	12.35	DUCT, AIR SI OTLT
78-82 Y	14004949	LH	5.25	DUCT, AIR SI OTLT
78-82 Y W/A.C.	467364	RH	3.70	DUCT, AIR SI OTLT
68-72 Y (EXC. A.C.)	3932810	2	9.25	OUTLET, DASH PNL VENT AIR
68-78 Y (EXC. A.C.)	3922277	LH	5.85	OUTLET, DASH PNL AIR
68-78 Y (EXC. A.C.)	3922278	RH	5.85	OUTLET, DASH PNL AIR
74-78 Y	336471	1	36.50	OUTLET, AIR DIST DUCT
76-79 Y W/A.C.	3932810	1	9.25	OUTLET, DASH PNL AIR VENT
77 Y	459363	1	39.75	OUTLET, AIR DIST DUCT
78-82 Y	14004960	1	20.00	OUTLET, AIR DIST DUCT
80-82 Y	3932810	1	9.25	OUTLET, DASH PNL AIR VENT
68-82 Y	338109	1	18.10	PANEL, PLENUM CTR FLR PNL
68-82 Y	14041079	1	1.40	PLATE, PLENUM CTR PNL FILLER PNL TAP
68-77 Y	3908007	1	33	SCREW, HTR AND A/C AIR SEAL EVAP, BLO AND SEAL (1/4" - 14 X 1 1/4")
63-82 Y	1488127	AR	1.15	SEAL, POLYURETHANE (16.75 X 1.0 X .12)
68-78 Y	359270	4	.55	SEAL, OTLT DFL
68-79 Y	3018179	1	.75	SEAL, AIR DIST DUCT CTR (1/2" X 1/2" THK.)
68-69 Y	3937189	4	.45	SEAL, AIR SI OTLT BEZEL
70-77 Y	3937189	4	.45	SEAL, A/C EVAP AIR CTR OTLT
71-73 Y	386481	1	.40	SEAL, HTR AND A/C AIR SEL EVAP AND BLO MOTOR
75-82 Y	1488127	AR	1.15	SEAL, POLYURETHANE (16.75 X 1.0 X .12)
75-82 Y	3999511	AR	1.70	SEAL, POLYURETHANE (40.26 X .75 X .80)
77-82 Y	359270	4	.55	SEAL, A/C AIR DISTR OTLT DEFL (16.570)
80-82 Y	3018179	AR	.75	SEAL, PLSTC (32.38 X .38 X .50) (9.211)
68 Y	9776399	2	.28	SPACER, AIR CTR OTLT DFL
68-82 Y	3940836	1	6.15	VALVE, AIR OTLT VENT
66-78 Y W/A.C. (C60)	7583551	AR	35	WASHER, AIR OTLT VLV ROD (12.183)

9.275 CONTROL-NUT-RESISTOR-SWITCH, A.C. Electric Control

NOTE 1: THIS SWITCH CUTS OFF ELECT. SUPPLY TO COMP. AT 29 DEGREES F AND BELOW TO  
 PROTECT COMP. SHAFT SEAL ASM. FROM DAMAGE.

63-67 Y	3828948	1	6.85	CONTROL, HTR AND A.C. BLO
68 Y	3909028	1	7.70	CONTROL, HTR BLO (LEVER W/4 TERM.) (8.852)
68-72 Y	3917359	1	7.90	CONTROL, HTR AND A.C. AMBIENT (NOTE 1)
69-76 Y	7310365	1	5.30	CONTROL, HTR AND A.C. CMPR (8.852)
69-76 Y	7310366	1	5.30	CONTROL, HTR AND A.C. LOW BLO (8.852)
69-76 Y (EXC. A.C.)	3909028	1	7.70	CONTROL, HTR BLO (LEVER W/4 TERM.) (8.852)
73-77 Y	6272089	1	11.45	CONTROL, CMPR CUT-OFF PRESS
77-80 Y	344883	1	6.25	CONTROL, BLO CONT
77 Y (EXC. A.C.)	362536	1	6.25	CONTROL, HTR BLO
77 Y W/C.C.O.T.	3039429	1	24.45	CONTROL, THERM ELEC
77 Y W/V.I.R.	3034513	1	24.85	CONTROL, HTR AND A.C. THERM ELEC
78 Y W/A.C.	3039429	1	24.45	CONTROL, THERM ELEC
64-82 Y	477384	AR	28	NUT, SPEED TYPE A (8X.63X.38 PL)
68 Y	3929055	1	3.45	RESISTOR, BLO MTR
69-71 Y	3942651	1	6.50	RESISTOR, BLO MTR
72-82 Y	6262852	1	6.05	RESISTOR, BLO MTR
68 Y	3870286	1	3.65	SWITCH, HTR AND A.C. BLO (PUSH BUTTON W/2 TERM) (8.852)
69-76 Y W/A.C.	3942657	1	6.55	SWITCH, BLO MTR (LEVER W/6 TERM.) (8.852)
77-79 Y W/A.C.	3039429	1	24.45	SWITCH, THERM ELEC CPLY
77-79 Y W/A.C. (C60)	9348045	1	7.80	SWITCH, A.C. CMPR
77-82 Y W/A.C. (C60)	344883	1	6.25	SWITCH, HTR AND A.C. CONT BLO
80-82 Y	3041336	1	N.L.	SWITCH, W/O RING, ELEC PRESS
80 Y W/A.C. (C60)	18001921	1	6.70	SWITCH, CMPR

9.278		LEVER, A.C. Control			
77-82	Y	344880	1	1 80	LEVER, HTR AND A.C. CONT SEL
77-82	Y	344881	1	1 70	LEVER, HTR AND A.C. CONT TEMP
9.279		LENS-PLATE, A.C. Control			
78-82	Y	475844	1	3 35	LENS, HTR AND A.C. CONT
77-82	Y	14020094	1	7 65	PLATE, HTR AND A.C. CONT FACE
9.683		BOLT-BRACKET-CAPACITOR-COVER-NUT-SCREW-SHIELD-STRAP-SUPPORT, Radio Static Suppression			
70-78	Y	372841E	AR	42	BOLT, WING (1/4-20 X 3/8) CHROME, USE TO ATTACHING SHIELD
74-77	Y	3921417	1	50	BRACKET, RDO RCVR, LWR
56-82	Y	1862715	1	1.57	CAPACITOR, IGN COIL (.3 MF)
63-75	Y	1980957	1	2.59	CAPACITOR, VOLT REG. (.5 MFD.)
63-89	Y	3861562	1	3.45	CAPACITOR, DIR SIG
64-80	Y	3906187	1	5.75	CAPACITOR, BLO MOTOR
68-77	Y	3961556	1	4.10	CAPACITOR, STOP LAMP SW
70-75	Y	1862715	1	1.57	CAPACITOR, IGN COIL
79-82	Y	14005049	1	10.00	CAPACITOR, DIR SIG
88-71	Y	3923972	1	10.45	COVER, IGN SHIELD
72-75	Y	3986344	1	10.95	COVER, IGN SHIELD
56-77	Y	3730322	RH	38	NUT, IGN LWR ("J" TYPE) (1/4"-20)
70	Y (8 CYL.)	1846216	AR	4.24	SCREW, FREQUENCY INTERFERENCE SHIELD UNIT
71	Y (8 CYL.)	1846216	AR	.25	SCREW, FREQUENCY INTERFERENCE SHIELD UNIT
56-89	Y (327, 350)	3980192	RH	8.40	SHIELD, IGN SI OTR RR
63-84	Y	3794444	RH	17.50	SHIELD, IGN LWR
63-87	Y	3839189	LH	23.75	SHIELD, IGN LWR
63-82	Y (EXC. 454)	361079	LH	15.15	SHIELD, IGN SI INR
63-79	Y (EXC. 454)	14034993	RH	14.55	SHIELD, IGN SI INR
63-87	Y (327)	3880997	LH	16.30	SHIELD, IGN SI OTR RR
66-87	Y	3906150	1	77.00	SHIELD, W/CLIP, IGN
66-87	Y (327)	3794444	RH	17.50	SHIELD, IGN LWR
66-89	Y (327)	351897	LH	16.70	SHIELD, IGN LWR
68-89	Y (327)	351898	RH	14.90	SHIELD, IGN LWR
68-89	Y (327)	3923989	LH	9.85	SHIELD, IGN SI OTR RR
70-77	Y (350)	351897	LH	16.70	SHIELD, IGN, LWR (CHROME PLTD)
70-77	Y (350)	351098	RH	14.00	SHIELD, IGN, LWR (CHROME PLTD)
70-79	Y (350)	3923989	LH	9.85	SHIELD, IGN, SI OTR RR
73-79	Y (350)	3980192	RH	8.40	SHIELD, IGN SI OTR RR
75-77	Y	351898	1	10.40	SHIELD, IGN, COIL AND DIST CVR
77-82	Y	14037840	1	27.50	SHIELD, RDO IGN (BLACK PLASTIC)
56-71	Y	6287180	1	4.45	STRAP, BODY BRKT GROUND(2.341)
63-71	Y	2981859	1	1.95	STRAP, EXH SYS GROUND
63-84	Y	6287180	1	4.45	STRAP, BODY TO FRAME GROUND(2.341)
63-87	Y	6287180	1	4.45	STRAP, ACCEL LVR GROUND(2.341)
66-82	Y	6286800	AR	2.80	STRAP, RDO GRD (19") (2.341)
68-77	Y	3903410	1	2.00	STRAP, ANT GROUND
76-82	Y	6287180	1	4.45	STRAP, RDO GRD (10 1/2") (2.341)
63-64	Y	3819758	2	.65	SUPPORT, IGN SI OTR, RR SHIELD RR
63-84	Y	3819759	LH	.63	SUPPORT, IGN SI OTR, RR SHIELD FRT
63-73	Y (EXC. 454)	3819757	RH	.65	SUPPORT, IGN SI OTR, RR SHIELD FRT
65-87	Y	3888900	RH	7.75	SUPPORT, IGN SHIELD
65-89	Y (327)	3819758	2	.65	SUPPORT, IGN SI OTR, RR SHIELD RR
65-89	Y (327)	3819759	LH	.63	SUPPORT, IGN SI OTR, RR SHIELD FRT
68-89	Y	3923971	LH	1.70	SUPPORT, LWR
68-89	Y (327, 350, 454)	3923963	LH	3.15	SUPPORT, IGN SHIELD, COIL AND DIST
68-89	Y (327, 350, 454)	3923964	RH	3.15	SUPPORT, IGN SHIELD, COIL AND DIST
68-89	Y (427) (EXC. H.D.)	3923967	LH	10.20	SUPPORT, IGN SHIELD, COIL AND DIST
70-73	Y (EXC. 454)	3819758	2	.65	SUPPORT, IGN SI OTR, RR SHIELD RR
70-73	Y (EXC. 454)	3819759	LH	.63	SUPPORT, IGN SI OTR, RR SHIELD FRT
71-74	Y (454)	3923967	LH	10.20	SUPPORT, IGN SHIELD, COIL AND DIST
72-73	Y	3923963	LH	3.15	SUPPORT, IGN SHIELD, COIL AND DIST
72-73	Y	3923964	RH	3.15	SUPPORT, IGN SHIELD, COIL AND DIST
72-73	Y (EXC. H.D.)	3923967	LH	10.20	SUPPORT, IGN SHIELD, COIL AND DIST
72-73	Y (EXC. 427, 454)	3923971	LH	1.70	SUPPORT, LWR
73-79	Y (350)	3819757	RH	.65	SUPPORT, IGN SI OTR, RR SHIELD FRT
73-79	Y (350)	3819758	2	.65	SUPPORT, IGN SI OTR, RR SHIELD RR
73-79	Y (350)	3819759	LH	.63	SUPPORT, IGN SI OTR, RR SHIELD FRT
74	Y (350)	3923963	LH	3.15	SUPPORT, IGN SHIELD, COIL AND DIST
74	Y (350)	3923964	RH	3.15	SUPPORT, IGN SHIELD, COIL AND DIST
80-82	Y	14022180	RH	4.20	SUPPORT, RDO IGN SHLD SI INR RR

**9.779 DUCT-GRILLE-HOSE , Windshield Defroster**

NOTE 1: CUT AS REQUIRED (APPROX 38" EACH) LH & RH.

68-77	Y	3909006	1	8.30	DUCT, HTR DEFR AIR OTLT
78-82	Y	467328	1	6.30	DUCT, HTR DEFR AIR OTLT
63-66	Y (EXC. A.C.)	468109	1	5.85	GRILLE, OTLT
68-77	Y	3915899	1	5.85	GRILLE, OTLT
78-82	Y	14018874	1	5.85	GRILLE, I/P DEFR DUCT
53-62	Y	1234986	1	12.80	HOSE (2" I.D. X 72" O.L.) (NOTE 1)

**9.786 ACTUATOR-ADAPTER-ARM-BRACKET-CLAMP-CLIP-DUCT-HOSE-HOUSING-LINK-PLATE-ROLLER-SEAL-SHAFT-SPACER-SPRING-STUD-VALVE, Air Distributor**

NOTE 1: WHEN USED IN PLACE OF 3919549 & 3940595 GRIND OFF RIVETS & REMOVE ALL LINKAGE & ATTACH. PARTS INCLUDING VALVE ASM. SEAL ALL LEAKS WITH TAPE AS REQUIRED. NOTE: DO NOT DISTURB SPONGE SEAL.

NOTE 2: WHEN USED IN PLACE OF EARLY DESIGNS GRIND OFF RIVETS & REMOVE ALL LINKAGE & ATTACH. PARTS INCLUDING VALVE ASM. SEAL ALL LEAKS WITH TAPE AS REQUIRED. NOTE: DO NOT DISTURB SPONGE SEAL.

69	Y (EXC. A.C.)	1998955	1	11.30	ACTUATOR, VAC DEFR
70-72	Y	1998955	1	11.30	ACTUATOR, VAC DEFR
73-79	Y (EXC. A.C.)	1998955	1	11.30	ACTUATOR, VAC DEFR
68-77	Y	3954533	LH	22.40	ADAPTER, AIR SI OTLT (NOTE 1)
68-77	Y	3954534	RH	22.40	ADAPTER, AIR SI OTLT (NOTE 2)
78-82	Y	467395	2	3.80	ADAPTER, AIR SI OTLT
68-82	Y W/A.C.	3917319	1	.99	ARM, A/C AIR INLET SHROUD ACTR
68-82	Y W/A.C.	3917330	1	.99	BRACKET, A/C AIR INLET SI SHROUD ACTR
69-82	Y W/A.C.	3942619	1	.86	BRACKET, AIR INLET PLENUM VLV
72-77	Y (EXC. A.C.)	3918533	LH	.58	BRACKET, VENT CABLE
74-82	Y	3840474	2	2.80	BRACKET, HTR BLO AIR INLET TO PLENUM (8.857)
81	Y	3749810	AR	1.60	CLAMP, HTR AND DEFR HOSE (1.166)
80-82	Y	3022741	1	.33	CLIP, VLV SHF
68-82	Y	459362	1	12.10	DUCT, HTR
68-77	Y (EXC. A.C.)	3956313	LH	4.35	DUCT, AIR SI OTLT ADAP
68-77	Y (EXC. A.C.)	3956314	RH	3.95	DUCT, AIR SI OTLT ADAP
69-78	Y W/A.C.	3946979	1	26.25	DUCT, HTR AIR DIST
77-82	Y W/A.C.	463499	1	27.25	DUCT, HTR AIR DIST
78-79	Y (EXC. A.C.)	467399	LH	4.35	DUCT, AIR SI OTLT ADAP
78-79	Y (EXC. A.C.)	467400	RH	4.35	DUCT, AIR SI OTLT ADAP
56-62	Y	1234989	1	19.35	HOSE, HTR AND DEFR AIR INLET (4 X 72" O.L.)
77	Y W/A.C.	3036484	1	79.75	HOUSING, W/VLV, TEMP
68-82	Y W/A.C.	3917318	1	.66	LINK, A.C. AIR INLET SI SHROUD VAC ACTR
77-80	Y (EXC. A.C.)	457841	2	.94	LINK, AIR VENT CONT ROD
78-82	Y W/A.C.	3036487	1	60.75	PLATE, W/ACTUATOR, FRT TEMP
63-67	Y (EXC. A.C.)	3150822	1	.35	ROLLER, HTR CAM
68-79	Y (EXC. A.C.)	3937111	1	.40	SEAL, AIR SI OTLT DUCT (5/8" THK.)
77-82	Y W/A.C.	3036477	1	1.05	SHAFT, DVTR VLV
73-74	Y	3022553	1	.44	SPACER, A/C VLV SPRING
73-76	Y	3022539	2	.44	SPRING, A/C VLV
78-82	Y W/A.C.	14001506	1	.50	SPRING, HTR AIR DISTR DUCT
78-82	Y W/A.C.	3010008	1	.46	STUD, W/CLIP
68-76	Y W/A.C.	3015229	1	11.45	VALVE, W/LINK, DVTR
68-82	Y W/A.C.	3015232	1	4.45	VALVE, W/SEAL, DVTR
69-76	Y W/A.C.	7309782	1	5.65	VALVE, HTR AND A/C CONT DEFR AND AIR
75-79	Y (EXC. A.C.)	3018747	1	19.40	VALVE, W/SEAL, HTR AIR
77-82	Y W/A.C.	3036485	1	11.50	VALVE, W/SHAFT, TEMP CONT
77-82	Y W/A.C.	3036489	1	41.75	VALVE, W/LINK, DVTR
78-79	Y (EXC. A.C.)	3942662	2	3.15	VALVE, AIR SI OTLT ADAP

**9.787 BRACKET-CABLE-CLAMP-CLIP-HOUSING-KNOB-PLIERS-RETAINER-ROD-WIRE, Outside Air**

NOTE: SOME CABLES MAY BE REPLACED BY BULK CABLES AND RETAINERS. CABLES WITH COLOR KEYED KNOBS WILL BE REPLACED BY CABLES WITH BLACK KNOBS.

68-76	Y	3918533	LH	.58	BRACKET, AIR VENT CABLE
77	Y (EXC. A.C.)	457842	2	.81	BRACKET, AIR VENT CONT ROD
77-78	Y W/A.C.	3036483	1	3.45	BRACKET, MT CBL ADJ
80-82	Y	3043421	1	3.45	BRACKET, MT CBL ADJ
53-82	Y	6258364	AR	30.50	CABLE, BOWDEN WIRE REPAIR, 13FT HSG & 60FT WIRE
64-67	Y W/A.C.	3864605	1	15.50	CABLE, BLO SW, AIR INLET CONT (38 3/4" O.L.)
77-82	Y	467355	1	17.80	CABLE, HTR AND A/C TEMP CONT
58-62	Y	3127015	AR	.44	CLAMP, HTR CONT CABLE
77-82	Y	8972458	1	.37	CLIP, HTR AND A/C CONT LVR
53-74	Y	3986084	AR	.88	HOUSING, CONT CABLE (13 FT.)
69-72	Y	9813799	2	1.15	KNOB, AIR SI OTLT ADAP (10.559)
69-76	Y (EXC. A.C.)	3995093	2	2.75	KNOB, AIR VENT CONT
75-76	Y	9813799	2	1.15	KNOB, AIR SI OTLT ADAP (10.559)
78-80	Y (EXC. A.C.)	472770	2	1.10	KNOB, AIR VENT CONT (BLACK)



**9.787 BRACKET-CABLE-CLAMP-CLIP-HOUSING-KNOB-PLIERS-RETAINER-ROD-WIRE, Outside Air (Con't)**

78-80	Y (EXC. A.C.)	472771	2	1.10	KNOB, AIR VENT CONT (MED RED)
78	Y (EXC. A.C.)	472772	2	1.10	KNOB, AIR VENT CONT (SAFFRON)
78-80	Y (EXC. A.C.)	472774	2	1.10	KNOB, AIR VENT CONT (MIDNIGHT BLUE)
78-80	Y (EXC. A.C.)	472775	2	1.10	KNOB, AIR VENT CONT (DOESKIN)
78-79	Y (EXC. A.C.)	472776	2	1.10	KNOB, AIR VENT CONT (DK BROWN)
78-80	Y (EXC. A.C.)	14028470	2	1.15	KNOB, AIR VENT CONT (LT SANDSTONE) (PAINT TO MATCH)
79-80	Y (EXC. A.C.)	476274	2	1.05	KNOB, AIR VENT CONT (DK GREEN)
63-82	Y	3862204	AR	24.60	PLIERS, CABLE WIRE COILING
68	Y W/A.C.	3929059	1	.33	RETAINER, A/C AIR INLET PLENUM VLV LINK
77-80	Y (EXC. A.C.)	457842	2	.81	RETAINER, AIR VENT CONT ROD
68-74	Y	3928884	2	5.30	ROD, W/TUBE, AIR VENT CONT
77-80	Y (EXC. A.C.)	457840	2	2.05	ROD, VENT CONT
78-79	Y (EXC. A.C.)	487397	2	1.25	ROD, AIR SI OTLT ADAP VLV
63-74	Y	3986027	AR	.14	WIRE, CONT CABLE (60 FT)

**9.795 VALVE, Heater Water Temperature Control**

63-88	Y W/A.C.	1231105	:	19.00	VALVE, SHUT-OFF
69-70	Y W/A.C.	3984641	1	N.L.	VALVE, HTR AND A.C. WATER VLV
75	Y (EXC. A.C.)	14032007	1	N.L.	VALVE, HTR WATER
78-79	Y	14032007	1	N.L.	VALVE, HTR WATER
79-81	Y	14020087	1	16.75	VALVE, HTR WATER
82	Y	14044483	1	20.35	VALVE, HTR WATER

**10.130 ACTUATOR-BOLT-BOOT-BRACKET-BUSHING-CUSHION-EXTENSION-GROMMET-NUT-PANEL-REINFORCEMENT-RIVET-SHIM-SOLENOID VALVE-STUD-WASHER, Windshield Wiper Access**

NOTE 1: WHEN USING 5638605 IN PLACE OF 5638483 (CYLINDRICAL SHAPED) IT MAY BE NECESSARY TO PURCHASE MOUNTING REINFORCEMENT 3966558. IT ALSO MAY BE NECESSARY TO PURCHASE 9417954 NUT AND 3977856, NUT. THIS ELIMINATES NECESSITY OF REMOVING ENTIRE WINDSHIELD WIPER DOOR LINKAGE FOR ACTUATOR REPLACEMENT.

NOTE 2: WHEN REPLACING 3922009 USE 1-3940537 SPRING WASHER.

NOTE 3: WHEN USING 3953000 IN PLC OF 3945240 OR 3934900 IT WILL BE NECESSARY TO REPLACE 3948066 ACTUATOR DRIVE ROD WITH 3921589.

NOTE 4: WHEN USING 3953000 IN PLC. OF 3934900-3945240-3948073 IT WILL BE NECESSARY TO USE ONE EACH OF 3953013-3953014.

NOTE 5: WHEN USING IN PLACE OF 3926484 SHIM CUT AND ADD HOLES AS REQUIRED.

68-72	Y	5638605	1	133.00	ACTUATOR, W/VLV, TO ACC DR (DUAL PIEPAN SHAPE) (NOTE 1)
68-72	Y	3945216	4	2.35	BOLT (NO. 10-24)
68-69	Y	3945359	2	1.15	BOLT, ACTR TO REINF
68-73	Y	3966577	1	2.35	BOOT, ACTR (3 1/4" LONG)
68-73	Y	3930357	1	1.60	BRACKET, STOP
68-73	Y	3953013	LH	4.50	BRACKET, CONT ARM ADJ
68-73	Y	3953014	RH	4.50	BRACKET, CONT ARM ADJ
75-82	Y	355366	1	1.65	BRACKET, STOP
69-71	Y	3922010	AR	.35	BUSHING, PNL, DR CONT ARM
72	Y	3922010	AR	.35	BUSHING, ACTR LIMITER SW, DR PNL
68-74	Y	3930368	1	.54	CUSHION, STOP
68-72	Y	3824485	AR	.40	EXTENSION, CONT ARM BRKT (12.840) (NOTE 5)
68-73	Y	3942787	1	1.50	EXTENSION, ACTU LIMITED SW PUSH ROD
68-73	Y	3922395	1	.44	GROMMET, ACTU LIGHT SW PUSH ROD
69-72	Y	3948074	1	2.45	NUT, SPECIAL ADJ DR ROD (1 49/64 X 1/2-15/64-18)
68-72	Y	3942792	1	132.00	PANEL
68-72	Y	3921586	3	.59	REINFORCEMENT, CONT ARM BRKT
68-82	Y	3938119	1	.74	REINFORCEMENT, STOP BRKT
70-72	Y	3966558	1	2.20	REINFORCEMENT, ACTR MT
68-72	Y	3922009	14	.40	RIVET (NOTE 2)
68-72	Y	3926483	2	.60	SHIM, ACTR DR BRKT
68-72	Y	5638276	1	35.25	SOLENOID VALVE, ACTR DR, ELECTRO VAC
68-72	Y	3922392	1	4.05	STUD, ACTR LIMITED SW ADJ
68-70	Y	3922388	2	.44	WASHER, ACTR MT REINF
68-72	Y	3940537	AR	.38	WASHER, WIPER DR LINKAGE (SPRING TYPE)

**10.150 ARMATURE-BALL-BOARD-BOLT-BRUSH-CASE-COVER-DISC-GROMMET-HOLDER-MAGNET-MOTOR-RELAY-SCREW-SPRING-SWITCH-WASHER-WIRE, Windshield Wiper Motor**

NOTE 1: CONSISTS OF MOTOR, SCREWS, NUTS, AND CONNECTOR BODY.

NOTE 2: TRANSFER GROUND CLIP FROM OLD MOTOR.

NOTE 3: MOTOR DOES NOT INCLUDE COVER & SWITCH ASM OR CRANK ARM.

68-82	Y	4960317	1	23.90	ARMATURE, MOTOR
78-82	Y	7002117	1	.06	BALL, MOTOR THRUST (.1875 DIA.) (3 825)
68-74	Y	4916862	1	1.63	BOARD, MOTOR TERM
75-82	Y	4960755	1	N.L.	BOARD, WSW MTR TERM & SWITCH
70-82	Y	4915881	2	.12	BOLT, MOTOR THROUGH
68-82	Y	4915872	2	.91	BRUSH, MOTOR
69-82	Y	4918810	1	25.50	CASE, W/FIELD, WSW MTR
78-82	Y	22010544	1	20.05	COVER, W/SW, WSW MTR
70-82	Y	4903696	1	.08	DISC, WSW MTR ARM THRUST(RUBBER)
70-82	Y	5092145	1	.07	DISC, WSW MTR ARM THRUST(STEEL)
75-82	Y	5092145	1	.07	DISC, WSW MTR ARM THRUST(STEEL)
68-82	Y	4916000	1	.12	GROMMET, MOTOR CASE
68-82	Y	4918718	1	4.42	HOLDER, WSW MTR BRUSH
73-74	Y	4919641	1	11.20	MAGNET, WSWA
68	Y	4918712	1	112.20	MOTOR (NOTE 1)
69-72	Y	4919437	1	83.95	MOTOR (NOTE 1)
73	Y	4918342	1	83.95	MOTOR (NOTE 2)
74-82	Y	4960974	1	N.L.	MOTOR (NOTE 3)
63-87	Y	4904339	1	16.75	RELAY, MOTOR
68-71	Y	399214	1	8.80	RELAY, WSWA (9.277)
69-82	Y	4906744	1	.12	SCREW, WSW MTR END PLAY ADJ. (1/4"-28 X 7/8")
68-82	Y	4915693	AR	.08	SCREW, SWITCH MT (NO. 10-32 X 3/8")
68-71	Y	4913805	AR	.73	SPRING, MOTOR BRUSH, DR WDO ELEC MOTOR BRUSH
71-82	Y	4900364	2	.09	SPRING, MOTOR BRUSH
68-74	Y	4919647	1	9.50	SWITCH, WSWA MOTOR
70-82	Y	5093788	1	.08	WASHER, WSW MTR(FELT)
75-82	Y	5093788	1	.08	WASHER, WSW MTR FELT
79	Y (EXC PULSE WIPER)	12005639	1	11.05	WIRE, TIME DELAY JPR (3-WAY CONN)
79	Y (EXC PULSE WIPER)	12005640	1	11.05	WIRE, TIME DELAY JPR (6-WAY CONN)

**10.153 BELLOWS-CAM-GASKET-PAWL KIT-PISTON-PUMP -RING-SCREW-SPRING KIT-VALVE, Windshield Washer Pump**

63-67	Y	4914074	1	3.48	BELLOWS, PUMP VLV
68-74	Y	4960408	1	.84	CAM, W/RING, WSWA PUMP
74	Y	4960918	1	.84	CAM, W/RING, WSWA PUMP
75-79	Y W/STANDARD WIPER	4960408	1	.84	CAM, W/RING, WSWA PUMP
68-74	Y	4918320	1	.15	GASKET, PUMP
75-82	Y	4961308	1	.15	GASKET, WSWA PUMP
68-74	Y	4918446	1	.32	PAWL KIT, PUMP
68-74	Y	4918445	1	N.L.	PISTON, PUMP
68-73	Y	4919630	1	31.20	PUMP (3 PORT)
70-71	Y W/HDLP WASHER	4939246	1	35.10	PUMP (5 PORT)
74	Y	4961115	1	26.95	PUMP (3 PORT)
75-82	Y	4961623	1	N.L.	PUMP,
68-73	Y	9431762	1	.30	RING, RATCHET AND CAM RET
68-74	Y	4961450	1	.07	SCREW, PUMP DOG SPR
68-74	Y	4939314	1	.47	SPRING KIT, W/RATCHET
63-67	Y	4914356	1	N.L.	VALVE, PUMP
69-74	Y (EXC HDLP WASHER)	4914356	1	N.L.	VALVE, PUMP

**10.154 BRACKET-CAP-CLIP-CONTAINER-EXTENSION-FILTER-  
LEVEL INDICATOR-RESERVOIR, Windshield Washer**

NOTE 1. 1ST DESIGN W/TWO MOUNTING HOLES ON RESERVOIR CTR SIDE.

NOTE 2. 2ND DESIGN W/CNE MTG TAB ON RESERVOIR TOP EDGE.

68	Y	548935	1	2.20	BRACKET, WASHER RESVR
68-69	Y (EXC A.C.)	548935	1	2.20	BRACKET, WASHER RESVR
70-72	Y (EXC A.C.)	3976510	1	2.10	BRACKET, WASHER RESVR
73-74	Y	334778	1	2.90	BRACKET, WASHER RESVR EXT
73-74	Y	334778	1	2.30	BRACKET, WASHER RESVR
75-82	Y	344811	1	.62	BRACKET, MOTOR PUMP AND RESVR EXT
75-79	Y (1ST DESIGN 1979)	344809	1	2.40	BRACKET, MOTOR PUMP AND RESVR
67-75	Y	25500278	1	.86	CAP, WASHER RESVR
75-82	Y	4961310	1	.23	CAP, WSWA SOLV CNTNR
70-73	Y	3977709	1	.44	CLIP, HDLP AND WASHER VAC PIPE
72-74	Y	3990892	1	4.80	CONTAINER, WSWA SOLV
75-79	Y (1ST DESIGN-1979)	4961311	1	5.35	CONTAINER, WASHER (NOTE 1)
71-72	Y (EXC A.C.)	3976541	1	2.90	EXTENSION, WASHER RESVR
72-82	Y	344810	1	3.00	EXTENSION, WASHER PUMP AND RESVR
73-74	Y	334775	1	4.00	EXTENSION, WASHER RESVR
65-74	Y	3986821	1	.66	FILTER, WASHER RESVR HOSE WATER
75-82	Y	4961309	1	.47	FILTER, W/NUT, WASHER PUMP
71-74	Y	12004345	1	20.80	LEVEL INDICATOR, W/SENDING UNIT, WASHER RESVR FLUID
63-70	Y (EXC A.C.)	3840083	1	2.97	RESERVOIR, WASHER (WHITE)
69-72	Y W/A.C. (EXC FLUID LEVEL IND.)	3961549	1	8.80	RESERVOIR (6 5/16 OFFSET)
79	Y (2ND DESIGN)	22020937	1	10.50	RESERVOIR, WSWA SOLV (NOTE 2)
80-82	Y	22020937	1	10.50	RESERVOIR, WSWA SOLV

**10.163 BRACKET-BUSHING-CONTROL-CONTROLLER-ROD-SWITCH-  
VALVE, Windshield Wiper Control**

68-72	Y	3928809	1	1.20	BRACKET, ACCESS DR ACTP LIMITED SW
68-76	Y	3954231	1	.49	BUSHING, SW
58-62	Y	3743413	1	17.60	CONTROL, W/CABLE AND STEM PROTRUDING FROM BODY
78-79	Y W/PULSE WIPER	14005004	1	122.00	CONTROLLER, PULSE WSW SWITCH
80-82	Y	14016250	1	122.00	CONTROLLER, PULSE WSW SW
68-72	Y	3922390	1	3.65	ROD, ACCESS DR ACTR LIMITED SW PUSH
63-64	Y	1993543	1	15.30	SWITCH
65-66	Y W/2-SPD.	1993878	1	21.05	SWITCH
67	Y	1993394	1	6.95	SWITCH
68-76	Y	1994169	1	24.90	SWITCH, WIPER CONT
68-72	Y	3951280	1	12.70	SWITCH, WIPER LIMIT
69	Y (EXC A.C.)	1993483	1	8.55	SWITCH, ARM CONT
69	Y W/A.C.	1993484	1	13.75	SWITCH, ARM CONT
70-72	Y	3975371	1	7.65	SWITCH, WIPER CONT (WIPER SERVICE SW)
77	Y (EXC T&T WHL)	7827123	1	29.00	SWITCH, WIPER CONT
77	Y W/T&T WHL	7827152	1	30.75	SWITCH, W/PIVOT, WIPER CONT
78-79	Y (EXC PULSE WIPER)	470316	1	25.25	SWITCH, CONT
78	Y W/PULSE WIPER (1ST DESIGN 78)	470317	1	29.00	SWITCH, CONT
78-79	Y W/PULSE WIPER (2ND DESIGN 78)	14029570	1	25.25	SWITCH, CONT
80-82	Y	14029570	1	25.25	SWITCH, CONT
69-72	Y	5638487	1	17.75	VALVE, ARM CONT (INNER-LOCKING)

**10.551 PAWL -RETAINER, Door Outside Lock Cylinder**

NOTE 1: ANTI-THEFT SWITCH MOUNTED IN DOOR.

NOTE 2: ANTI-THEFT SWITCH MOUNTED IN FENDER.

69-80	Y	3961314	RH	.94	PAWL (B&S 320442)
69-77	Y (1ST DESIGN 1977)	3961313	LH	.94	PAWL (B&S 320443) (NOTE 2)
77-82	Y (2ND DESIGN 1977)	475925	LH	.70	PAWL (B&S 320895) (NOTE 1)
78	Y	7040173	RH	1.30	PAWL (B&S 320723)
78	Y	7040174	LH	1.30	PAWL (B&S 320724)
81-82	Y	14048376	RH	.70	PAWL (B&S 320894)
67	Y	4755272	2	.98	RETAINER, LK CYL
70-81	Y	9728247	2	1.20	RETAINER, ANTI-THEFT SW

**12.182 BEZEL-EMBLEM-LETTER KIT-PANEL-PLATE -SEAL-STRIPE , Rear  
Compartment Lid and Rear End Panel**

NOTE 1: USE WITH REAR BUMPER COVER WITH DEPRESSION FOR NAME PLATE.

NOTE 2: USE WITH REAR BUMPER COVER WITHOUT DEPRESSION FOR NAME PLATE.

56-57	Y	3725755	1	11.50	BEZEL, BODY RR EMBLEM (8.055)
58-62	Y	3740239	1	12.00	BEZEL, BODY EMBLEM (8.055)
56-57	Y	3725754	1	14.65	EMBLEM, BODY RR (1.303)
58-62	Y	3796462	1	15.30	EMBLEM, BODY RR
68-73	Y	3927979	1	18.85	LETTER KIT, BODY RR (CORVETTE)
74-75	Y	6260519	1	16.65	LETTER KIT, BODY RR (C-O-R-V-E-T-T-E)
78-79	Y W/D80	14012968	1	265.00	PANEL, RR EXT (SPOILER)
57	Y W/F.I.	3742212	2	4.25	PLATE ("FUEL INJECTION") (3.147)
58-61	Y	3740240	1	11.55	PLATE, BODY EMBLEM BACKING (8.055)
63-65	Y	3797414	1	7.40	PLATE, BODY RR NAME
66-67	Y	3973776	1	11.55	PLATE, BODY RR NAME (8.055)
76	Y (1ST DESIGN)	374699	1	17.20	PLATE, BODY RR NAME (NOTE 1)
76-79	Y (2ND DESIGN 1976)	462226	1	17.20	PLATE, BODY RR NAME (NOTE 2)
80-82	Y	14016100	1	17.20	PLATE, BODY RR NAME (CORVETTE)
58-62	Y	3753163	1	1.00	SEAL, BODY EMBLEM (8.055)
78	Y W/ACNT STRIPE (D88) , B2Z	473264	1	12.65	STRIPE (SILVER MET, GRAY MET)

**12.800 GRILLE-PANEL-WEATHERSTRIP, Cowl Top Vent Louver**

63-67	Y	3797077	LH	17.05	GRILLE, AIR INT
63-67	Y	3797078	RH	17.05	GRILLE, AIR INT
73-76	Y	331806	1	18.05	GRILLE, HOOD AIR INT
68-72	Y	3938163	1	78.50	PANEL, AIR INT GRILLE
63-62	Y	3706914	1	4.60	WEATHERSTRIP

**12.801 RETAINER-WEATHERSTRIP , Cowl Ledge**

54-82	Y	480534	AR	.35	RETAINER, PNL HOLE (DIA. 250, THK. .03-.30)
53-57	Y	3814213	1	17.40	WEATHERSTRIP (RUBBER) (13.352)
58-62	Y	3749819	1	6.70	WEATHERSTRIP (RUBBER) 29" LONG "V"
63-82	Y	3914293	1	6.70	WEATHERSTRIP (APPROX. LENGTH 65")

**12.804 BRACE-COVER-PANEL-REINFORCEMENT-SEAL-SUPPORT, Shroud  
and Dash and Vent Duct**

NOTE 1: WHEN USED IN PLC OF 339171 REWK 45 CTR BONDING.

NOTE 2: WHEN USED ON MODELS PRIOR TO 1973 ADD HOLES AS REQUIRED.

NOTE 3: ON MODELS PRIOR TO 1980-RELOCATE HOLES FOR MTG BRAKE PEDAL HSG USING OLD

PART AS GUIDE, ALSO DRILL HOLES FOR WIPER MTR.

NOTE 4: WHEN USING IN PLACE OF 339172 & 355389 DEALER TO REVISE LWR FLANGE (FDR SCOOP

AREA) USING OLD PART AS GUIDE.

NOTE 5: PAINT AS REQUIRED.

69-82	Y	334793	LH	10.05	BRACE, BODY HINGE PLR
69-82	Y	334794	RH	10.05	BRACE, BODY HINGE PLR
68-77	Y	471909	LH	9.20	COVER, PLR TO DASH TR KICK PAD (NOTE 5)
68-82	Y	471910	RH	9.20	COVER, PLR TO DASH TR KICK PAD (NOTE 5)
76-82	Y	471909	LH	9.20	COVER, PLR TO DASH TR (NOTE 5)
78-81	Y	471908	RH	13.65	COVER, PLR TO DASH TR (BLACK)
78-81	Y	471948	RH	13.65	COVER, PLR TO DASH TR (MID BLUE)
78	Y	471954	RH	13.65	COVER, PLR TO DASH TR (DOESKIN)
78-80	Y	471961	LH	13.65	COVER, PLR TO DASH TR (MED RED)
78-80	Y	471962	RH	13.65	COVER, PLR TO DASH TR (MED RED)
78	Y	471967	LH	13.80	COVER, PLR TO DASH TR (SAFFRON)
78	Y	471968	RH	13.65	COVER, PLR TO DASH TR (SAFFRON)
78	Y W/Z78	14004617	LH	13.65	COVER, PLR TO DASH TR (SILVER MET)
78	Y W/Z78	14004618	RH	13.65	COVER, PLR TO DASH TR (SILVER MET)
79	Y	14006917	LH	13.65	COVER, PLR TO DASH TR (DK GREEN)
79	Y	14006918	RH	13.65	COVER, PLR TO DASH TR (DK GREEN)
79-80	Y	14011449	LH	13.45	COVER, PLR TO DASH TR (DK GREY)
79-80	Y	14011450	RH	13.45	COVER, PLR TO DASH TR (DK GREY)
79-80	Y	14011451	LH	13.45	COVER, PLR TO DASH TR (MED SADDLE)
79-80	Y	14011452	RH	13.45	COVER, PLR TO DASH TR (MED SADDLE)
80	Y	1401521	LH	13.45	COVER, PLR TO DASH TR (DK CLARET)
80	Y	1401522	RH	13.45	COVER, PLR TO DASH TR (DK CLARET)
81	Y	14023561	LH	13.65	COVER, PLR TO DA TR (SILVER MET-151)
81	Y	14023562	RH	13.65	COVER, PLR TO DA TR (SILVER MET-151)
81-82	Y	14023565	LH	13.65	COVER, PLR TO DA TR (MED DOESKIN-641)
81-82	Y	14023566	RH	13.65	COVER, PLR TO DA TR (MED DOESKIN-641)
81	Y	14023567	LH	13.85	COVER, PLR TO DA TR (MED RED-751)
81	Y	14023568	RH	13.85	COVER, PLR TO DA TR (MED RED-751)

**12.804 BRACE-COVER-PANEL-REINFORCEMENT-SEAL-SUPPORT, Shroud and Dash and Vent Duct**

81	Y	14023569	LH	13.65	COVER, PLR TO DA TR (MED CINNABAR-67I)
81	Y	14023570	RH	13.65	COVER, PLR TO DA TR (MED CINNABAR-67I)
81	Y	14033779	LH	13.55	COVER, PLR TO DA TR (SLATE-13I)
81	Y	14033780	RH	13.55	COVER, PLR TO DA TR (SLATE-13I)
81	Y	14033785	LH	13.55	COVER, PLR TO DA TR (CHARCOAL-18I)
81	Y	14033791	LH	13.55	COVER, PLR TO DA TR (DK RED-74I)
81	Y	14033792	RH	13.55	COVER, PLR TO DA TR (DK RED-74I)
82	Y87	14033779	LH	13.55	COVER, PLR TO DA TR (SLATE-13I)
82	Y87	14033780	RH	13.55	COVER, PLR TO DA TR (SLATE-13I)
82	Y87	14033785	LH	13.55	COVER, PLR TO DA TR (CHARCOAL-18I)
82	Y87	14033791	LH	13.55	COVER, PLR TO DA TR (DK RED-74I)
82	Y87	14033792	RH	13.55	COVER, PLR TO DA TR (DK RED-74I)
88-76	Y	342294	1	43.50	PANEL, PLENUM CTR (NOTE 2)
88-75	Y	345477	1	195.00	PANEL, DASH
88-89	Y	3918594	RH	8.40	PANEL, PLENUM SI EXT
88-74	Y	3922345	LH	2.50	PANEL, FRT FDR TO PLENUM FIL
88-74	Y	3922346	RH	2.50	PANEL, FRT FDR TO PLENUM FIL
88-82	Y	3996845	LH	13.65	PANEL, DASH EXT
88-82	Y	3996846	RH	13.65	PANEL, DASH EXT
88-82	Y	14016080	RH	20.50	PANEL, PLENUM SI (NOTE 4)
88-82	Y	14030119	LH	20.50	PANEL, PLENUM SI (NOTE 4)
88-72	Y W/A.C.	336109	1	18.10	PANEL, CTR, PLENUM PNL FIL (9.262)
70-72	Y	3963174	RH	7.50	PANEL, PLENUM SI EXT
76-79	Y (EXC A.C.)	14070232	1	182.00	PANEL, DASH (NOTE 1)
77-79	Y	375803	1	47.75	PANEL, PLENUM CTR
77-82	Y	14038279	1	46.00	PANEL, PLNM CTR
77-82	Y W/A.C.	14045984	1	182.00	PANEL, DASH
88-80	Y	3911109	2	58	REINFORCEMENT, PLENUM SI PNL SUPT
83-87	Y (EXC A.C.)	3797372	2	35	SEAL, VENT AIR OUTLET
88-80	Y	3904998	2	2.90	SUPPORT, PLENUM SI PNL

**12.941 BAFFLE-PLENUM-SCREEN, Rear Quarter Side Inner**

71-75	Y67	3994808	1	12.80	BAFFLE, RR VENT PLENUM
88-76	Y37	339160	1	32.75	PLENUM, BODY RR VENT CTR
88-75	Y37 (EXC. A.C.)	3956053	LH	14.75	PLENUM, BODY RR VENT
88-75	Y37 (EXC. A.C.)	3956054	RH	14.75	PLENUM, BODY RR VENT
71-75	Y67 (EXC. A.C.)	3994807	1	30.25	PLENUM, RR BODY VENT
73-82	Y	375977	LH	7.15	SCREEN, PLENUM SI PNL
73-82	Y	375978	RH	7.15	SCREEN, PLENUM SI PNL

**12.981 BEZEL-BONDING STRIP-BRACE-BRACKET-BUMPER-BUSHING-CLIP-COMPARTMENT-CONSOLE-COVER-DOOR-ESCUTCHEON-FRAME-HANDLE-HINGE-HOOK-MOLDING-NUT-PANEL-PLATE-PLUG-REINFORCEMENT-RETAINER-RING-RIVET-SEAL-SHIELD-STRAP-STRIKER-STRIP-SUPPORT, Rear Compartment Floor**

NOTE 1: WHEN USING 3947974 IN PLACE OF 3936378 ADD TWO OPENINGS FOR BACK-UP LAMPS, USING OLD PART AND LAMP ASM. AS GUIDE.

NOTE 2: WHEN USED IN 1971 MODELS, CUT OPENINGS FOR INSTL. FIBRE OPTICS, AND PAINT AS REQD.

NOTE 3: 371439 AND 14004692 ARE NOT INTERCHANGEABLE DUE TO ROOF PANEL AND REAR END CONFIGURATION.

NOTE 4: 2ND DESIGN USE ON VEHICLES WITH VIN NUMBERS 416754 FOR 1976.

NOTE 5: 1ST DESIGN USE ON VEHICLES WITH VIN NUMBERS 411043 THRU 416753.

NOTE 6: PAINT AS REQUIRED.

NOTE 7: 1ST DESIGN 1979 USED WITH 3 DR TYPE U/B STOR COMPT, PART OF FRAME ASM 14022163.

NOTE 8: WHEN USING 14016187 PANEL ASM IN PLC OF 14004690 IT WILL BE NECESSARY TO USE 1981 SEAT ADJ ASMS 14016105(LH) & 14016106(RH) & PANEL 14016189.

NOTE 9: DRILL HOLES FOR ELECTRICAL PROVISIONS AS REQUIRED.

NOTE 10: NO COMPARABLE 2ND DESIGN.

NOTE 11: NO COMPARABLE 1ST DESIGN.

NOTE 12: USED W/2 DR U/B STOR COMPT. USED W/FRAME 14022163 PAINT TO MATCH.

88-76	Y	6258826	1	4.60	BEZEL, U/B TUN RR
83-87	Y	3797092	1	35.00	BONDING STRIP, RIGHT RR QTR TO RF AND BODY RR LWR PNL
83-86	Y (EXC. SPT. CPE.)	3797091	1	35.00	BONDING STRIP, BODY RR UPR AND LWR PNL
83-87	Y37	3797091	1	35.00	BONDING STRIP, LEFT RR QTR TO RF AND BODY RR LWR PNL, RR QTR
85-87	Y	3841537	LH	12.40	BONDING STRIP, RR QTR TO BODY RR LWR PNL
88-72	Y	3996837	LH	29.50	BONDING STRIP, RR QTR TO RF AND BODY RR LWR PNL
88-72	Y	3996838	RH	29.50	BONDING STRIP, RR QTR TO RF AND BODY RR LWR PNL
88-73	Y	3922304	2	1.40	BRACE, BODY RR LWR FIL PNL
88-72	Y37	3928303	LH	44	BRACKET, B/W STOR TRAY TO TRAY

12.981

**BEZEL-BONDING STRIP-BRACE-BRACKET-BUMPER-BUSHING-  
CLIP-COMPARTMENT-CONSOLE-COVER-DOOR-ESCUTCHEON-  
FRAME-HANDLE-HINGE-HOOK-MOLDING-NUT-PANEL-  
PLATE-PLUG-REINFORCEMENT-RETAINER-RING-RIVET-  
SEAL-SHIELD-STRAP-STRIKER-STRIP-SUPPORT, Rear Compartment  
Floor (Con't)**

78-81	Y	468169	LH	58	BRACKET, RR COMPT CLOSEOUT PNL, OTR
78-81	Y	468171	LH	1.05	BRACKET, RR COMPT CLOSEOUT PNL, INR
78-81	Y	468172	RH	1.05	BRACKET, RR COMPT CLOSEOUT PNL, INR
78-81	Y	14018134	RH	58	BRACKET, RR COMPT CLOSEOUT PNL, OTR
78-82	Y	14030117	1	45.75	BRACKET, LUG SHADE
88-82	Y	3918670	AR	36	BUMPER, U/B STOR COMPT CVR DOOR
72	Y37	3922010	2	35	BUSHING, B/W STOR TRAY BRKT- (10, 130)
88-72	Y37	3928348	1	2.10	CLIP, B/W STOR TRAY RR
88-79	Y (1ST DESIGN-1979)	371476	1	4.20	COMPARTMENT, U/B STOR CTR (NOTE 7, ... 1, 0)
88-79	Y (1ST DESIGN-1979)	371477	1	14.60	COMPARTMENT, U/B STOR (NOTE 7, ... 1, 0)
88-76	Y	333588	1	44.75	CONSOLE, U/B TUN RR
88-70	Y	3963151	1	246.00	CONSOLE, U/B TUN FRT (BLACK) (NOTE 6)
71-76	Y	333380	1	196.00	CONSOLE, U/B TUN FRT (BLACK) (NOTE 2)
77	Y	379939	LH	47.75	CONSOLE, U/B TUN SI (NOTE 6)
77	Y	379940	PH	47.75	CONSOLE, U/B TUN SI (NOTE 6)
78	Y	470677	LH	37.75	CONSOLE, U/B TUN SI (DK BROWN)
78	Y	470678	RH	37.75	CONSOLE, U/B TUN SI (DK BROWN)
78-81	Y	470690	RH	37.75	CONSOLE, U/B TUN SI (BLACK)
78-81	Y	470691	LH	37.75	CONSOLE, U/B TUN SI (MED RED)
78-81	Y	470692	RH	37.75	CONSOLE, U/B TUN SI (MED RED)
78	Y	470693	LH	37.75	CONSOLE, U/B TUN SI (SAFFRON)
78	Y	470895	LH	37.75	CONSOLE, U/B TUN SI (LT GRAY)
78-81	Y	470697	LH	37.75	CONSOLE, U/B TUN SI (MID BLUE)
78-81	Y	470698	RH	37.75	CONSOLE, U/B TUN SI (MID BLUE)
78-82	Y	14050639	LH	7.05	CONSOLE, U/B TUN SI (SILVER MET) (NOTE 6, ... 1, 0)
78-82	Y	14050840	RH	7.05	CONSOLE, U/B TUN SI (NOTE 6, ... 1, 1)
78	Y W/Z78	14004629	LH	37.75	CONSOLE, U/B TUN SI (SMOKE GRAY)
78	Y W/Z78	14004630	RH	37.75	CONSOLE, U/B TUN SI (SMOKE GRAY)
79	Y	14006907	LH	37.75	CONSOLE, U/B TUN SI (DK GREEN)
79	Y	14006908	RH	37.75	CONSOLE, U/B TUN SI (DK GREEN)
79-80	Y	13011433	LH	35.75	CONSOLE, U/B TUN SI (DK GREY)
79-80	Y	14011434	RH	35.75	CONSOLE, U/B TUN SI (DK GREY)
79-80	Y	14011435	LH	35.75	CONSOLE, U/B TUN SI (MED SADDLE)
79-80	Y	14011436	RH	35.75	CONSOLE, U/B TUN SI (MED SADDLE)
81	Y	14023525	LH	37.75	CONSOLE, U/B TUN SI (MED DOESKIN)
81	Y	14023526	RH	37.75	CONSOLE, U/B TUN SI (MED DOESKIN)
81	Y	14023528	RH	37.75	CONSOLE, U/B TUN SI (MED RED)
88-79	Y (1ST DESIGN-1979)	362962	1	14.10	COVER, U/B STOR COMPT (NOTE 7)
79-82	Y (2ND DESIGN-1979)	14007098	1	11.65	COVER, U/B STOR COMPT (W/2 DR TYPE U/B STOR COMPT)
88-77	Y	471238	RH	26.75	DOOR, U/B STOR COMPT (BLACK-400) (NOTE 7)
88-79	Y (1ST DESIGN-1979)	471237	LH	26.75	DOOR, U/B STOR COMPT (BLACK) (NOTE 7)

12.981

**BEZEL-BONDING STRIP-BRACE-BRACKET-BUMPER-BUSHING-  
CLIP-COMPARTMENT-CONSOLE-COVER-DOOR-ESCUTCHEON-  
FRAME-HANDLE-HINGE-HOOK-MOLDING-NUT-PANEL-  
PLATE-PLUG-REINFORCEMENT-RETAINER-RING-RIVET-  
SEAL-SHIELD-STRAP-STRIKER-STRIP-SUPPORT, Rear Compartment  
Floor (Con't)**

68-77	Y (2ND DESIGN) (THERMO)	472723	1	22.65	DOOR, U/B STOR CTR COMPT (BLACK-404)
73-78	Y	347827	1	22.80	DOOR, U/B STOR CTR COMPT (BLACK-400)
73-75	Y (2ND DESIGN) (THERMO)	338132	RH	27.50	DOOR, U/B STOR COMPT (MED SADDLE-418)
73-75	Y (2ND DESIGN)	338151	1	23.15	DOOR, U/B STOR CTR COMPT (DK SADDLE-422)
78	Y	367632	RH	26.75	DOOR, U/B STOR COMPT (FIRETHORN-712)
78-78	Y	471285	LH	26.75	DOOR, U/B STOR COMPT (DK BROWN)
78-78	Y	471288	RH	26.75	DOOR, U/B STOR COMPT (DK BROWN)
78-77	Y	472728	1	22.65	DOOR, U/B STOR CTR COMPT (DK BROWN-692)
77	Y	458358	1	22.80	DOOR, U/B STOR CTR COMPT (DK BLUE)
77	Y	458373	1	22.80	DOOR, U/B STOR CTR COMPT (SMOKE GRAY)
77	Y	458377	1	22.80	DOOR, U/B CTR COMPT (BUCKSKIN)
77	Y	458382	RH	26.75	DOOR, U/B STOR COMPT (DK BLUE)
77	Y	460919	LH	26.75	DOOR, U/B STOR COMPT (BUCKSKIN)
77-79	Y (1ST DESIGN-1979)	471267	LH	26.75	DOOR, U/B STOR COMPT (MED RED)
77-79	Y (1ST DESIGN-1979)	471288	RH	26.75	DOOR, U/B STOR COMPT (MED RED) (NOTE 7)
77-79	Y (1ST DESIGN-1979)	472729	1	22.65	DOOR, U/B STOR CTR COMPT (MED RED) (NOTE 7, . . . 1, 0)
78	Y	471236	RH	26.75	DOOR, U/B STOR COMPT (OYSTER WHITE)
78	Y	471263	LH	26.75	DOOR, U/B STOR COMPT (DOESKIN)
78	Y	471264	RH	26.75	DOOR, U/B STOR COMPT (DOESKIN)
78	Y	471269	LH	26.75	DOOR, U/B STOR COMPT (SAFFRON)
78	Y	471270	RH	26.75	DOOR, U/B STOR COMPT (SAFFRON)
78	Y	472721	1	22.65	DOOR, U/B STOR CTR COMPT (GRAY)
78	Y	472726	1	22.65	DOOR, U/B STOR CTR COMPT (DOESKIN)
78	Y	472728	1	22.65	DOOR, U/B STOR CTR COMPT (DK BROWN)
78	Y	472730	1	22.65	DOOR, U/B STOR CTR COMPT (SAFFRON)
78-79	Y (1ST DESIGN-1979)	471238	RH	26.75	DOOR, U/B STOR COMPT (BLACK) (NOTE 7)
78-79	Y (1ST DESIGN-1979)	471239	LH	26.75	DOOR, U/B STOR COMPT (MID BLUE) (NOTE 7)
78-79	Y (1ST DESIGN-1979)	471240	RH	26.75	DOOR, U/B STOR COMPT (MID BLUE) (NOTE 7)
78-79	Y (1ST DESIGN-1979)	472723	1	22.65	DOOR, U/B STOR CTR COMPT (BLACK) (NOTE 7, . . . 1, 0)
78-79	Y (1ST DESIGN-1979)	472724	1	22.65	DOOR, U/B STOR CTR COMPT (MID BLUE) (NOTE 7, . . . 1, 0)
78	Y W/Z78	14004642	1	22.65	DOOR, U/B STOR CTR COMPT (SMOKE GRAY)
78	Y W/Z78	14004643	LH	24.85	DOOR, U/B STOR COMPT (SMOKE GRAY)
78	Y W/Z78	14004644	RH	26.75	DOOR, U/B STOR COMPT (SMOKE GRAY)
79	Y (1ST DESIGN)	14006903	LH	26.75	DOOR, U/B STOR COMPT (DK GREEN) (NOTE 7)
79	Y (1ST DESIGN)	14008904	RH	26.75	DOOR, U/B STOR COMPT (DK GREEN) (NOTE 7)
79	Y (1ST DESIGN)	14005915	1	22.65	DOOR, U/B STOR CTR COMPT (DK GREEN) (NOTE 7, . . . 1, 0)
79	Y (1ST DESIGN)	14011429	LH	25.50	DOOR, U/B STOR COMPT (DK GRAY) (NOTE 7)
79	Y (1ST DESIGN)	14011430	RH	25.50	DOOR, U/B STOR COMPT (DK GRAY) (NOTE 7)
79	Y (1ST DESIGN)	14011432	RH	25.50	DOOR, U/B STOR COMPT (MED SADDLE) (NOTE 7)
79	Y (1ST DESIGN)	14011437	1	21.55	DOOR, U/B STOR CTR COMPT (DK GRAY) (NOTE 7, . . . 1, 0)
79	Y (1ST DESIGN)	14011448	1	21.55	DOOR, U/B STOR CTR COMPT (MED SADDLE) (NOTE 7, . . . 1, 0)
79-81	Y (2ND DESIGN-1979)	14022149	LH	26.00	DOOR, U/B STOR COMPT (BLACK) (NOTE 1, 2)
79-81	Y (2ND DESIGN-1979)	14022150	RH	45.50	DOOR, U/B STOR COMPT (BLACK) (NOTE 1, 2)

12.981

**BEZEL-BONDING STRIP-BRACE-BRACKET-BUMPER-BUSHING-CLIP-COMPARTMENT-CONSOLE-COVER-DOOR-ESCUTCHEON-FRAME-HANDLE-HINGE-HOOK-MOLDING-NUT-PANEL-PLATE-PLUG-REINFORCEMENT-RETAINER-RING-RIVET-SEAL-SHIELD-STRAP-STRIKER-STRIP-SUPPORT, Rear Compartment Floor (Con't)**

79-80	Y (2ND DESIGN-1979)	14022151	LH	26.00	DOOR, U/B STOR COMPT (DK GRAY) (NOTE 1, 2)
79-80	Y (2ND DESIGN-1979)	14022152	RH	45.50	DOOR, U/B STOR COMPT (DK GRAY) (NOTE 1, 2)
79-81	Y (2ND DESIGN-1979)	14022155	LH	26.00	DOOR, U/B STOR COMPT (MID BLUE) (NOTE 1, 2)
79-81	Y (2ND DESIGN-1979)	14022156	RH	45.50	DOOR, U/B STOR COMPT (MID BLUE) (NOTE 1, 2)
79-80	Y (2ND DESIGN-1979)	14022157	LH	26.00	DOOR, U/B STOR COMPT (MED SADDLE) (NOTE 1, 2)
79-80	Y (2ND DESIGN-1979)	14022158	RH	45.50	DOOR, U/B STOR COMPT (MED SADDLE) (NOTE 1, 2)
79-80	Y (2ND DESIGN-1979)	14022159	LH	26.00	DOOR, U/B STOR COMPT (MED RED) (NOTE 1, 2)
79-80	Y (2ND DESIGN-1979)	14022160	RH	45.50	DOOR, U/B STOR COMPT (MED RED) (NOTE 1, 2)
79-80	Y (2ND DESIGN-1979)	14022161	LH	26.00	DOOR, U/B STOR COMPT (DK CLARFT) (NOTE 1, 1, 1, 2)
79-80	Y (2ND DESIGN-1979)	14022162	RH	45.50	DOOR, U/B STOR COMPT (DK CLARFT) (NOTE 1, 1, 1, 2)
81	Y	14029973	LH	26.00	DOOR, U/B STOR COMPT (MED DOESKIN-64)
81	Y	14029974	RH	45.50	DOOR, U/B STOR COMPT (MED DOESKIN-64)
81	Y	14029975	LH	26.00	DOOR, U/B STOR COMPT (MED RED-751)
81	Y	14029976	RH	45.50	DOOR, U/B STOR COMPT (MED RED-751)
81	Y	14029977	LH	26.00	DOOR, U/B STOR COMPT (MED CINNABAR-671)
81	Y	14029978	RH	45.50	DOOR, U/B STOR COMPT (MED CINNABAR-671)
81	Y	14044917	LH	26.00	DOOR, U/B STOR COMPT (SLATE)
81	Y	14044918	RH	26.00	DOOR, U/B STOR COMPT (SLATE)
81	Y	14044919	LH	26.00	DOOR, U/B STOR COMPT (CHARCOAL)
81	Y	14044920	RH	26.00	DOOR, U/B STOR COMPT (CHARCOAL)
81	Y	14044921	LH	26.00	DOOR, U/B STOR COMPT (DK RED)
81	Y	14044922	RH	26.00	DOOR, U/B STOR COMPT (DK RED)
82	Y07	14048315	LH	26.00	DOOR, U/B STOR COMPT (BEIGE MET)
82	Y07	14048316	RH	45.50	DOOR, U/B STOR COMPT (BEIGE MET)
82	Y87	14029973	LH	26.00	DOOR, U/B STOR COMPT (MED DOESKIN-64)
82	Y87	14029974	RH	45.50	DOOR, U/B STOR COMPT (MED DOESKIN-64)
82	Y87	14044917	LH	26.00	DOOR, U/B STOR COMPT (SLATE)
82	Y87	14044918	RH	26.00	DOOR, U/B STOR COMPT (SLATE)
82	Y87	14044919	LH	26.00	DOOR, U/B STOR COMPT (CHARCOAL)
82	Y87	14044920	RH	26.00	DOOR, U/B STOR COMPT (CHARCOAL)
82	Y87	14044921	LH	26.00	DOOR, U/B STOR COMPT (DK RED)
82	Y87	14044922	RH	26.00	DOOR, U/B STOR COMPT (DK RED)
82	Y87	14048311	LH	26.00	DOOR, U/B STOR COMPT (DK BLUE)
82	Y87	14048312	RH	45.50	DOOR, U/B STOR COMPT (DK BLUE)
82	Y87	14048313	LH	26.00	DOOR, U/B STOR COMPT (SILVER GREEN)
82	Y87	14048314	RH	45.50	DOOR, U/B STOR COMPT (SILVER GREEN)
70-77	Y	3930305	4	.55	ESCUTCHEON, U/B STOR COMPT DR LK
78-79	Y (1ST DESIGN-1979)	472734	3	.80	ESCUTCHEON, U/B STOR COMPT DR LK
79-82	Y	14022163	1	14.60	FRAME, U/B STOR COMPT (PAINT TO MATCH) (2 DR TYPE)
69-77	Y	333364	3	2.55	HANDLE, U/B STOR COMPT DR PULL (PAINT TO MATCH)
69-71	Y37	3958004	1	6.25	HANDLE, B/W STOR TRAY
77	Y	460514	3	2.55	HANDLE, U/B STOR COMPT DR PULL (BLUE)
78-82	Y	461148	1	1.70	HANDLE, LUG SHADE
68-79	Y (1ST DESIGN-1979)	3962614	2	2.95	HINGE, U/B STOR COMPT DR (NOTE 7, 1, 0)
68-79	Y (1ST DESIGN-1979)	3962615	1	2.80	HINGE, U/B STOR COMPT CTR DR (NOTE 7, 1, 0)
78-82	Y	461175	2	1.30	HOOK, LUG SHADE
82	Y07	14038229	1	70.25	MOLDING, RR HATCH WDO GARN
68-82	Y	473716	3	.36	NUT, U/B STOR COMPT DR LK STKR
68-73	Y	3926327	AR	.38	NUT, U/B STOR COMPT



12.981

**BEZEL-BONDING STRIP-BRACE-BRACKET-BUMPER-BUSHING-  
CLIP-COMPARTMENT-CONSOLE-COVER-DOOR-ESCUTCHEON-  
FRAME-HANDLE-HINGE-HOOK-MOLDING-NUT-PANEL-  
PLATE-PLUG-REINFORCEMENT-RETAINER-RING-RIVET-  
SEAL-SHIELD-STRAP-STRIKER-STRIP-SUPPORT, Rear Compartment  
Floor (Con't)**

64-65 Y	3877059	1	131.00	PANEL, BODY RR LWR FIL
65-67 Y W SI. MT. EXH.	3863752	1	100.00	PANEL, BODY RR LWR FIL
66-67 Y (EXC. SI. MT. EXH.)	3474799	1	72.50	PANEL, LWR FIL
68-69 Y (EXC. SI. MT. EXH.)	3947974	1	113.00	PANEL, BODY RR LWR FIL (NOTE 1)
69 Y W/SI. MT. EXH.	3948133	1	83.00	PANEL, BODY RR LWR FIL
70-73 Y	3977870	1	91.75	PANEL, BODY RR LWR FIL
71-72 Y37	327668	1	157.00	PANEL, U/B CLOSING CTR LWR
71-75 Y67	342259	1	64.50	PANEL, U/B CLOSING CTR
73-75 Y37	327668	1	157.00	PANEL, U/B CLOSING LWR
74-75 Y67	336191	LH	12.95	PANEL, U/B CLOSING
76 Y	358349	1	20.80	PANEL, U/B FRT
76-77 Y	362945	LH	33.00	PANEL, U/B SI EXT
76-77 Y	362946	RH	35.00	PANEL, U/B SI EXT
76-77 Y	371439	1	525.00	PANEL, U/B RR (NOTE 3)
76-77 Y	458349	1	182.00	PANEL, U/B FRT
78-81 Y	461182	1	106.00	PANEL, PKG SHELF
78-79 Y	468135	1	195.00	PANEL, U/B FRT
78-81 Y	14004699	LH	37.25	PANEL, U/B SI EXT
78-82 Y	14004700	RH	37.25	PANEL, U/B SI EXT
78-82 Y	14045983	1	516.00	PANEL, U/B RR (NOTE 9)
79-82 Y W/A.T.	14038269	1	197.00	PANEL, U/B FRT
79-81 Y W M.T.	14038269	1	197.00	PANEL, U/B FRT (NOTE 8)
82 Y	14016189	1	37.25	PANEL, U/B SI EXT
63-77 Y	3828546	1	1.00	PLATE, ST MT U/B RR ANCHOR (11.375)
68-79 Y	472716	3	.36	PLATE, U/B STOR COMPT DR LK STRIKER
68-75 Y	3919678	1	1.35	PLATE, U/B STOR COMPT TAP
60-79 Y	4410574	AH	.47	PLUG, RUBBER (1 IN)
68-82 Y	3948148	1	1.30	PLUG, U/B STOR COMPT DRAIN
74-75 Y	9812864	AR	1.10	PLUG, W/WA (1" DIA. HOLE)
68-75 Y	339170	1	4.15	REINFORCEMENT, U/B TUN RR CNSL FRT
68-74 Y	3908123	LH	4.50	REINFORCEMENT, ST MT U/B FRT
68-74 Y	3908124	RH	4.50	REINFORCEMENT, ST MT U/B FRT
68-76 Y	3918664	1	2.95	REINFORCEMENT, U/B TUN RR CNSL RR
68-72 Y37	3997245	1	9.20	REINFORCEMENT, B/W STOR TRAY
71-75 Y	336195	1	69.00	REINFORCEMENT, U/B CLOSING PNL CTR
75 Y	347925	LH	5.55	REINFORCEMENT, ST MT U/B FRT
75-81 Y	14011899	LH	44.75	REINFORCEMENT, DR SILL
75-82 Y	14011900	RH	43.75	REINFORCEMENT, DR SILL
76-82 Y	362967	2	7.80	REINFORCEMENT, ST MT U/B FRT
77-82 Y	379969	LH	1.10	REINFORCEMENT, U/B TUN CNSL FRT
77-82 Y	379970	RH	1.15	REINFORCEMENT, U/B TUN CNSL FRT
77-82 Y	14011816	1	3.65	REINFORCEMENT, U/B TUN CNSL RR
77-82 Y	14042289	1	3.60	REINFORCEMENT, U/B TUN CNSL TR PLT
78-82 Y	461150	1	3.60	RETAINER, LUG SHADE FOL
80-82 Y	14003788	2	.35	RETAINER, U/B STOR COMPT DR
68-76 Y	3918667	1	4.60	RING, U/B TUN RR CNSL PARK BRK LVR TR
68-70 Y37	3947966	2	.42	RIVET, U/B STOR COMPT CVR DR
68-78 Y	3918669	1	.59	SEAL, U/B STOR COMPT
68-76 Y	3926239	AR	.44	SHIELD, U/B STOR CTR COMPT L <sup>2</sup>
71-81 Y	333328	1	29.75	STRAP, RF PNL STOR (BLACK) (PAINT TO MATCH)
80-82 Y	3948438	2	2.70	STRAP, U/B STOR COMPT DR
68-82 Y	3945644	3	.80	STRIKER, U/B STOR COMPT DR LK
71-73 Y37	3996897	1	4.00	STRIKER, B/W STOR TRAY
68-73 Y	3996837	LH	29.50	STRIP, RF PNL QTR
69-73 Y	3996838	RH	29.50	STRIP, RF PNL QTR
74-82 Y	14016071	LH	18.55	STRIP, RR QTR BOND
74-82 Y	14016072	RH	18.55	STRIP, RR QTR BOND
68-76 Y	367614	1	34.25	SUPPORT, U/B STOR COMPT

14.875

**BOLT-BOOT-BUZZER-CABLE-CLIP-CONTAINER-COVER-GROMMET-GUIDE-HARNESS-HARNESS KIT-PLATE-PLUG-REINFORCEMENT-RETAINER-SPACER, Seat Belt**

NOTE: FOR SEAT BELTS SEE CHARTS AT END OF GROUP 14.000.

63-68	Y	W/SHLDR HARN	3797466	4	1.20	BOLT, ST BELT TO FLOOR (7/16"-20 X 7/8")
69-74	Y		3958042	2	1.20	BOLT, SHLDR HARN ANCHOR PLT REINF
70-77	Y		355344	2	2.30	BOLT, SHLDR HARN BOOT RETR
73-74	Y		3998889	2	.44	BOLT, ST LAP BELT MT PLT
74-77	Y		342221	2	2.20	BOLT, SHLDR HARN, SHLDR STRAP GUIDE
75-77	Y		355344	2	2.30	BOLT, ST LAP BELT MT PLT SHLDR STRAP GUIDE (1/2-13)
78-82	Y		1712155	4	2.20	BOLT, ST LAP BELT MT PLT
78-79	Y		1712156	AR	1.75	BOLT, FRT ST BELT
78-82	Y		20227973	2	.84	BOLT, SHLDR HARN RETR
80-81	Y		1712156	AR	1.75	BOLT, CTR SEAT BELT
74-78	Y		345193	2	4.20	BOOT, LAP BELT AND SHLDR HARN BUCKLE (BLACK)
74-78	Y		345194	2	2.00	BOOT, LAP BELT AND SHLDR HARN BUCKLE (BLACK)
72	Y		6262883	1	6.50	BUZZER, ST BELT WARNING (2.195)
73	Y		6270699	1	6.50	BUZZER, ST BELT WARNING (2.195)
74	Y		6258257	1	7.30	BUZZER, ST BELT WARNING (9.765)
70-74	Y		3977713	1	11.80	CABLE, ST BELT INR
75-78	Y		359801	1	12.50	CABLE, ST BELT INR
74-77	Y		9729050	2	.35	CLIP, FRT ST SHLDR STRAP (PLASTIC)
67-69	Y	W/DLX SHLDR HARN	3983187	1	2.95	CONTAINER, SHLDR HARN BUCKLE (PAINT TO MATCH)
72-73	Y		333533	LH	5.95	COVER, ST BELT RETRACTOR
74	Y		339199	LH	5.95	COVER, ST BELT RETRACTOR
74	Y		339200	RH	5.95	COVER, ST BELT RETRACTOR
75	Y		345451	LH	5.95	COVER, ST BELT RETRACTOR
76-77	Y		362973	LH	6.05	COVER, ST BELT RETRACTOR
76-77	Y		362974	RH	6.05	COVER, ST BELT RETRACTOR
78-82	Y		472704	2	.49	GROMMET, SHLDR BELT FEED THRU (PAINT TO MATCH)
72-74	Y		3998874	2	5.10	GUIDE, ST BELT
75-77	Y		345455	2	4.80	GUIDE, ST BELT
79	Y		14008867	LH	86.25	HARNESS, LAP & SHLDR BELT (DK GREEN-491)
79	Y		14008868	RH	86.25	HARNESS, LAP & SHLDR BELT (DK GREEN-491)
81	Y		14002451	LH	85.25	HARNESS, LAP BELT & SHLDR (SMK GRAY-151)
81	Y		14002452	RH	71.75	HARNESS, LAP BELT & SHLDR (SMK GRAY-151)
78-80	Y		475443	LH	71.50	HARNESS KIT, LAP & SHLDR BELT (LATCH END) (MED. RED-721)
78-80	Y		475444	RH	71.50	HARNESS KIT, LAP & SHLDR BELT (LATCH END) (MED. RED-721)
78-80	Y		475447	LH	71.50	HARNESS KIT, LAP & SHLDR BELT (LATCH END) (OYSTER WHITE-121)
78-80	Y		475448	RH	71.50	HARNESS KIT, LAP & SHLDR BELT (LATCH END) (OYSTER WHITE-121)
78-80	Y		475451	LH	71.50	HARNESS KIT, LAP & SHLDR BELT (LATCH END) (DOESKIN-591)
78-80	Y		475452	RH	71.50	HARNESS KIT, LAP & SHLDR BELT (LATCH END) (DOESKIN-591)
78-81	Y		14029861	LH	86.25	HARNESS KIT, LAP & SHLDR BELT (LATCH END) (BLACK-191)
78-80	Y		14029862	RH	86.25	HARNESS KIT, LAP & SHLDR BELT (LATCH END) (BLACK-191)
78-81	Y		14029863	LH	86.25	HARNESS KIT, LAP & SHLDR BELT (LATCH END) (MID BLUE-291)
78-81	Y		14029864	RH	86.25	HARNESS KIT, LAP & SHLDR BELT (LATCH END) (MID BLUE-291)
81	Y		14029862	RH	86.25	HARNESS KIT, LAP & SHLDR BELT (LATCH END) (BLACK-131)
81	Y		14029865	LH	86.25	HARNESS KIT, LAP & SHLDR BELT (SILVER MET-151)
81	Y		14029868	RH	86.25	HARNESS KIT, LAP & SHLDR BELT (SILVER MET-151)
91	Y		14029869	LH	86.25	HARNESS KIT, LAP & SHLDR BELT (MED DOESKIN-641)
81	Y		14029870	RH	86.25	HARNESS KIT, LAP & SHLDR BELT (MED DOESKIN-641)
81	Y		14029871	LH	86.25	HARNESS KIT, LAP & SHLDR BELT (MED RED-751)

14.875

**BOLT-BOOT-BUZZER-CABLE-CLIP-CONTAINER-COVER-  
GROMMET-GUIDE-HARNESS-HARNESS KIT-PLATE-PLUG-  
REINFORCEMENT-RETAINER-SPACER, Seat Belt (Con't)**

81	Y	14029872	RH	86.25	HARNESS KIT, LAP & SHLDR BELT (MED REQ-751)
31	Y	14029873	LH	86.25	HARNESS KIT, LAP & SHLDR BELT (MED CINNABAR-871)
81	Y	14029874	RH	86.25	HARNESS KIT, LAP & SHLDR BELT (MED CINNABAR-871)
82	Y87	14029889	LH	86.25	HARNESS KIT, LAP & SHLDR BELT (MED DOESKIN-841)
75-76	Y	345449	2	.48	PLATE, ST BELT ANCHOR RETR CVR
75	Y	345454	RH	5.85	PLATE, ST BELT ANCHOR
75-76	Y	35391	1	25.75	PLATE, ST BELT MT INR
78-82	Y	378889	4	2.30	PLATE, ST BELT RETR ANCHOR
89-72	Y87	3930851	2	.78	PLUG, SHLDR HARN ANCHOR PLT REINF (16.714)
75-76	Y	1731168	2	.39	PLUG, ST BELT SLEV (PRIME AND PAINT TO MATCH)
88-89	Y	3952487	LH	2.45	REINFORCEMENT, ST BELT
70-74	Y	3968707	LH	2.45	REINFORCEMENT, SHLDR HARN ANCHOR PLT
75-77	Y	1888380	2	.39	RETAINER, FRT ST SHLDR STRAP FRT CLIP
72-75	Y	342222	2	1.30	SPACER, ST BELT RETR
76-77	Y	388861	2	1.35	SPACER, ST LAP BELT RETR
78-79	Y	1705723	2	.35	SPACER, ST BELT ANCHOR TO FLR

# **Microfiche on CD-ROM End-User License Agreement**

**NOTICE TO USER:** THIS IS A CONTRACT. BY PURCHASING AND USING THE MICROFICHE ON CD-ROM, YOU ACCEPT ALL THE TERMS AND CONDITIONS OF THIS AGREEMENT.

This End User License Agreement accompanies the Microfiche on CD-ROM product and related explanatory materials. Please read this Agreement carefully. By purchasing and using the Microfiche on CD-ROM, you are implying that you have carefully read, agree with, and will adhere to the conditions set forth in this agreement. If you do wish to accept the terms of this end-user agreement, please do not use the Microfiche on CD-ROM. You will not be permitted to use the Microfiche on CD-ROM without consenting to this end-user agreement.

Upon your acceptance of this Agreement, Samuel A. Namen grants to you a nonexclusive license to use the Microfiche on CD-ROM, provided that you agree to the following:

## **1. Use of the Software.**

You may install the PDF file on a hard disk or other storage device for personal use only. Each Microfiche on CD-ROM comes with a single user license. Under no circumstances should the contents of the Microfiche on CD-ROM be placed on a file server for the purposes of distributing or allowing access to the material over a network.

## **2. Copyright and Trademark Rights.**

The Microfiche on CD-ROM is owned by Samuel A. Namen, and its structure and organization are considered the intellectual property of Samuel A. Namen. The Microfiche on CD-ROM also is protected by United States Copyright Law and International Treaty provisions. This Agreement does not grant you any intellectual property or resale rights to the Microfiche on CD-ROM.

## **3. Restrictions.**

You agree not to modify, adapt, translate, reverse engineer, decompile, or disassemble the PDF file on the Microfiche on CD-ROM. The Microfiche on CD-ROM is licensed and distributed by Samuel A. Namen for single user utilization of its contents only. Licensed users will be permitted to use the contents of the Microfiche on CD-ROM for multimedia presentations to an audience from a single machine using a large display or projection device, but the Microfiche on CD-ROM may not otherwise be distributed, sold to or made accessible to multiple users.

## **4. No Warranty.**

The Software is being delivered to you AS IS, and Samuel A. Namen makes no warranty as to its use or performance. SAMUEL A. NAMEN DOES NOT AND CANNOT WARRANT THE PERFORMANCE OR RESULTS YOU MAY OBTAIN BY USING THE MICROFICHE ON CD-

ROM OR DOCUMENTATION, NOR MAKES ANY WARRANTIES, EXPRESS OR IMPLIED, AS TO NONINFRINGEMENT OF THIRD-PARTY RIGHTS, MERCHANTABILITY, OR FITNESS FOR ANY PARTICULAR PURPOSE. IN NO EVENT WILL SAMUEL A. NAMEN BE LIABLE TO YOU FOR ANY CONSEQUENTIAL, INCIDENTAL, OR SPECIAL DAMAGES FOR ANY REASON.

#### **5. Governing Law and General Provisions.**

This Agreement will be governed by the laws of the State of Ohio, USA, excluding the application of its conflicts of law rules. This Agreement will not be governed by the United Nations Convention on Contracts for the International Sale of Goods, the application of which is expressly excluded. If any part of this Agreement is found void and unenforceable, it will not affect the validity of the balance of the Agreement, which shall remain valid and enforceable according to its terms. You agree that the Microfiche on CD-ROM will not be shipped, transferred, or exported into any country or used in any manner prohibited by the United States Export Administration Act or any other export laws, restrictions, or regulations. This Agreement shall automatically terminate upon failure by you to comply with its terms. This Agreement may only be modified in writing signed by an authorized officer for Samuel A. Namen.

Samuel A. Namen  
Canton, Ohio 44710  
USA

YOUR ACCEPTANCE OF THE FOREGOING AGREEMENT IS  
IMPLIED UPON PURCHASING AND USING THE MICROFICHE ON CD-ROM.

VIOLATIONS OF THESE CONDITIONS WILL BE PROSECUTED IN EVERY  
CASE.

© 2000,2001 Samuel A. Namen  
All rights reserved.